



US00D535164S

(12) **United States Design Patent**
St. Germain et al.

(10) **Patent No.: US D535,164 S**

(45) **Date of Patent: ** Jan. 16, 2007**

(54) **PATTY FORMING DEVICE**

(76) Inventors: **Barett A. St. Germain**, 421 Taylor Ave., Alameda, CA (US) 94501;
Andrew Millson, Greenview Avenue, Ottawa Ontario (CA), K2B 6A8

(**) Term: **14 Years**

(21) Appl. No.: **29/243,736**

(22) Filed: **Nov. 29, 2005**

(51) **LOC (8) Cl.** **07-04**

(52) **U.S. Cl.** **D7/674; D7/686**

(58) **Field of Classification Search** D7/672-675,
D7/683, 686, 687; 99/430; 100/234, 243,
100/910; 425/410, 422, 444, 298, 318, 338,
425/352; 426/513; 249/136

See application file for complete search history.

(56) **References Cited**

U.S. PATENT DOCUMENTS

3,060,838	A	*	10/1962	Priore	99/430
3,837,775	A	*	9/1974	Boucher	425/195
3,943,602	A		3/1976	Siclari		
4,106,162	A		8/1978	Fournier		
4,531,457	A	*	7/1985	Sivaslian	100/234
4,765,029	A		8/1988	Rogan		

5,080,572	A	*	1/1992	Sage	425/318
5,112,634	A		5/1992	Swearingen		
D364,321	S	*	11/1995	Lui et al.	D7/673
D369,948	S		5/1996	Tobiasz		
6,398,540	B1		6/2002	Burroughs et al.		
6,505,548	B1	*	1/2003	Lillelund et al.	100/234

* cited by examiner

Primary Examiner—Terry A. Wallace

(74) *Attorney, Agent, or Firm*—Harris Zimmerman

(57) **CLAIM**

The ornamental design for a patty forming device, as shown and described.

DESCRIPTION

FIG. 1 is a perspective view showing the patty forming device of the present invention and the parts in their closed position.

FIG. 2 is a top plan view.

FIG. 3 is a lefthand side view. The right hand side view being a mirror image thereof.

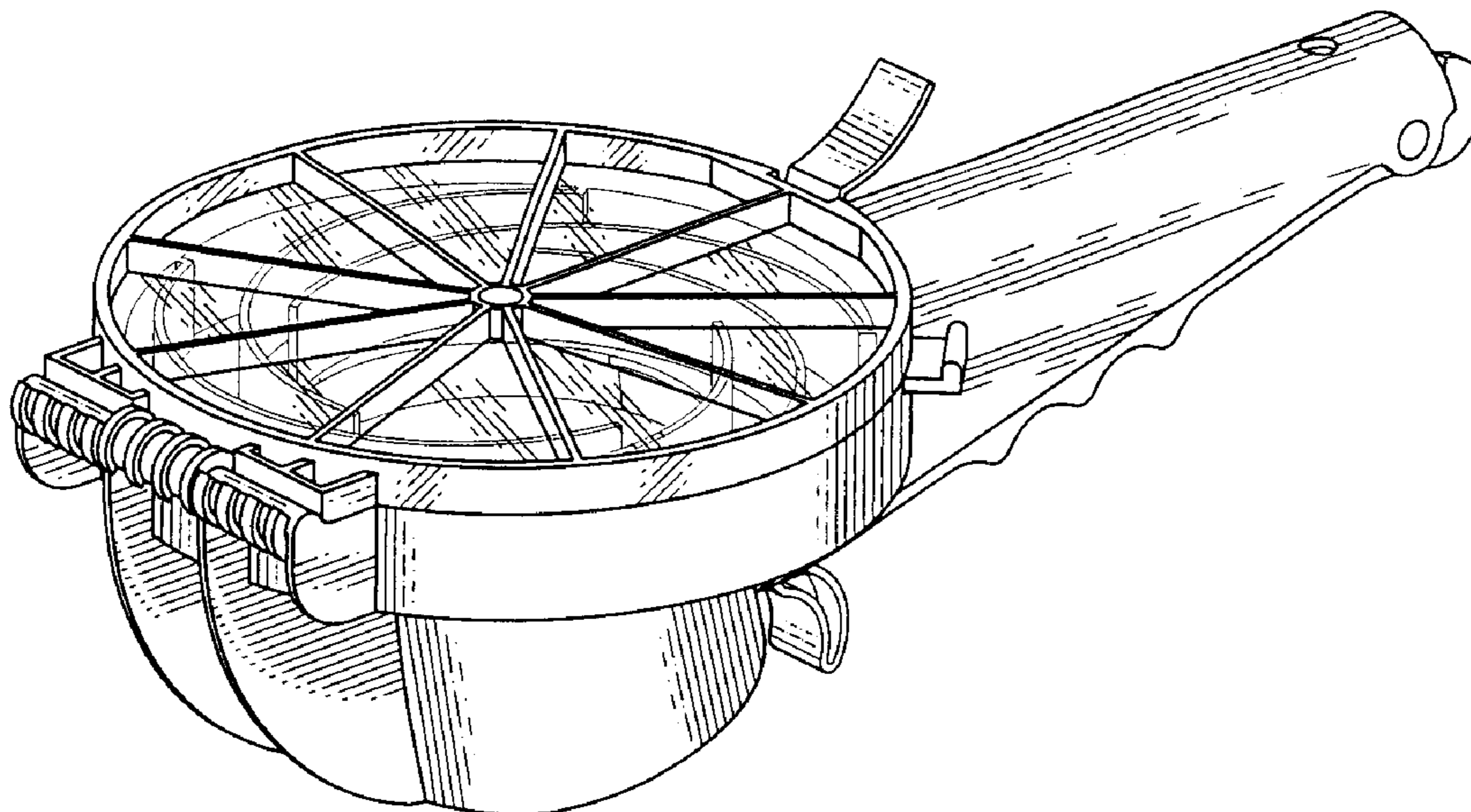
FIG. 4 is a rear view.

FIG. 5 is a front view.

FIG. 6 is a bottom view; and,

FIG. 7 is a perspective view similar to FIG. 1, but showing the apparatus in its fully open position.

1 Claim, 2 Drawing Sheets



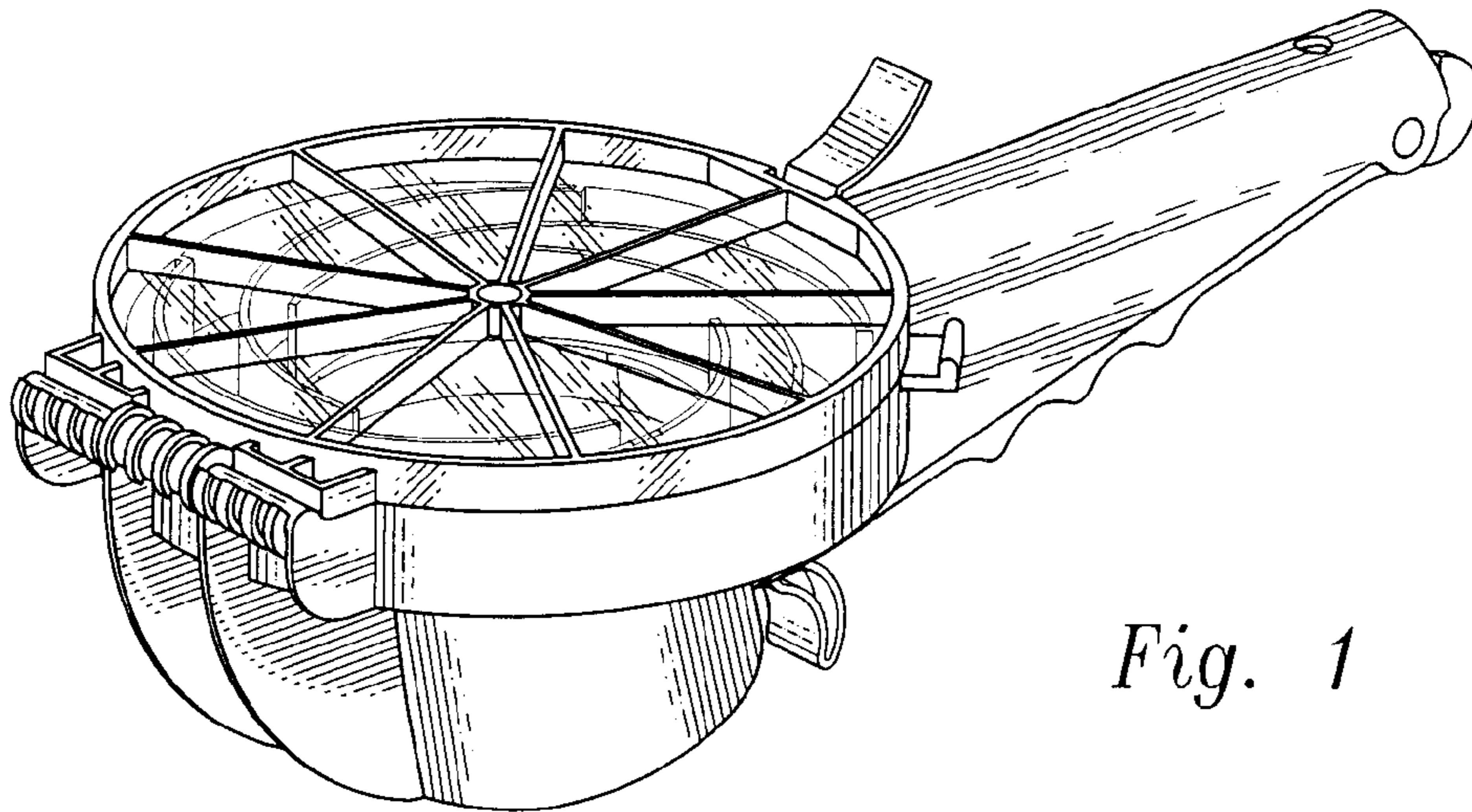


Fig. 1

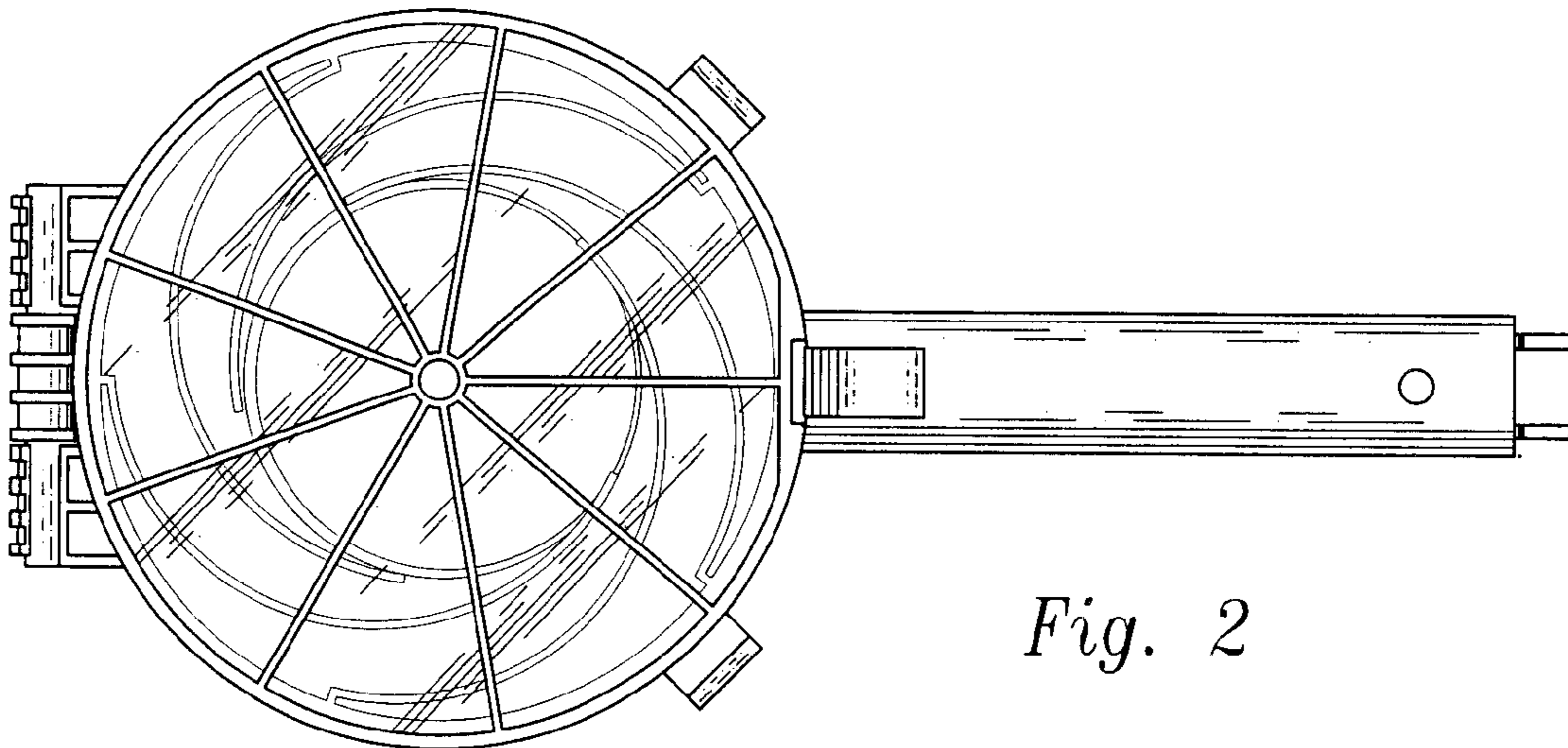


Fig. 2

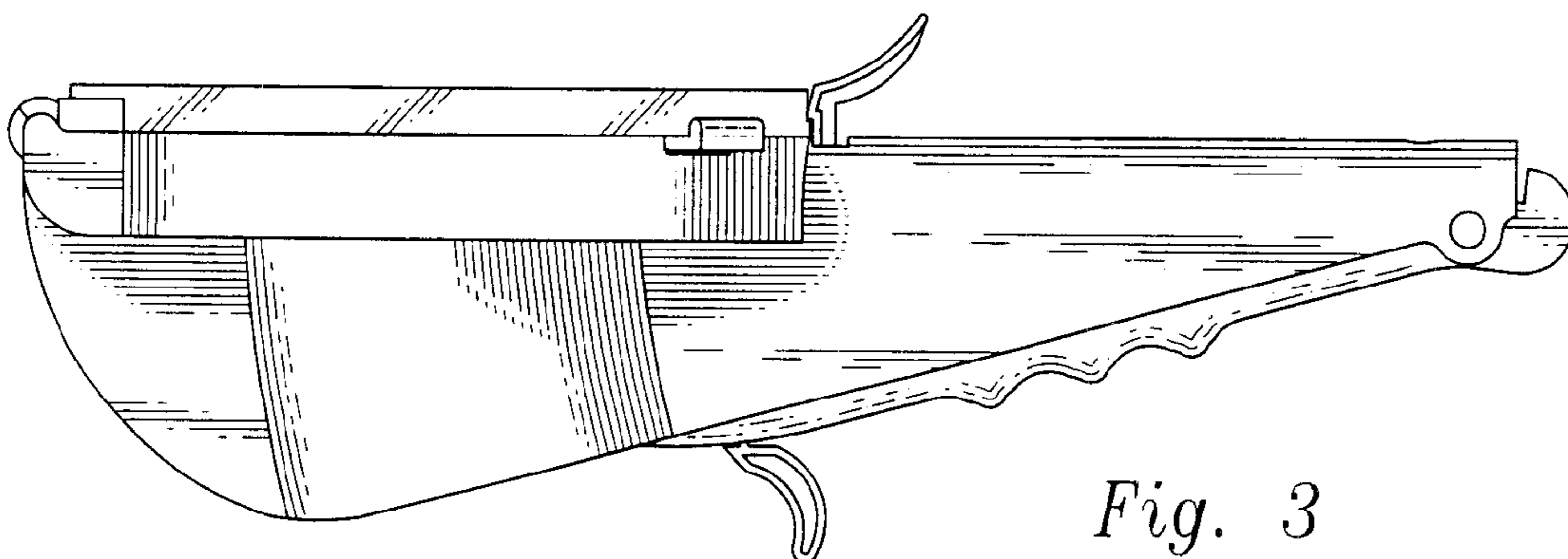


Fig. 3

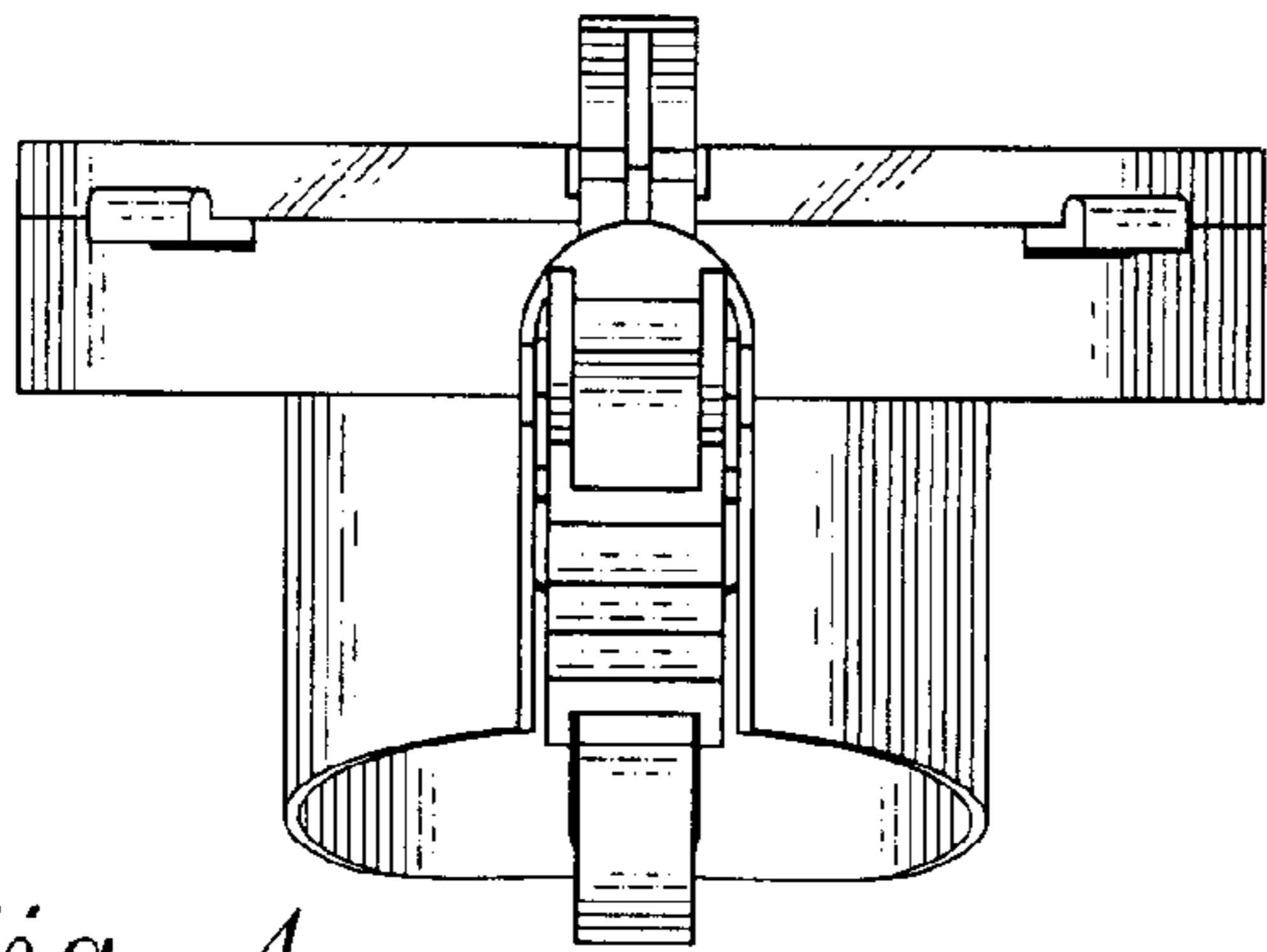


Fig. 4

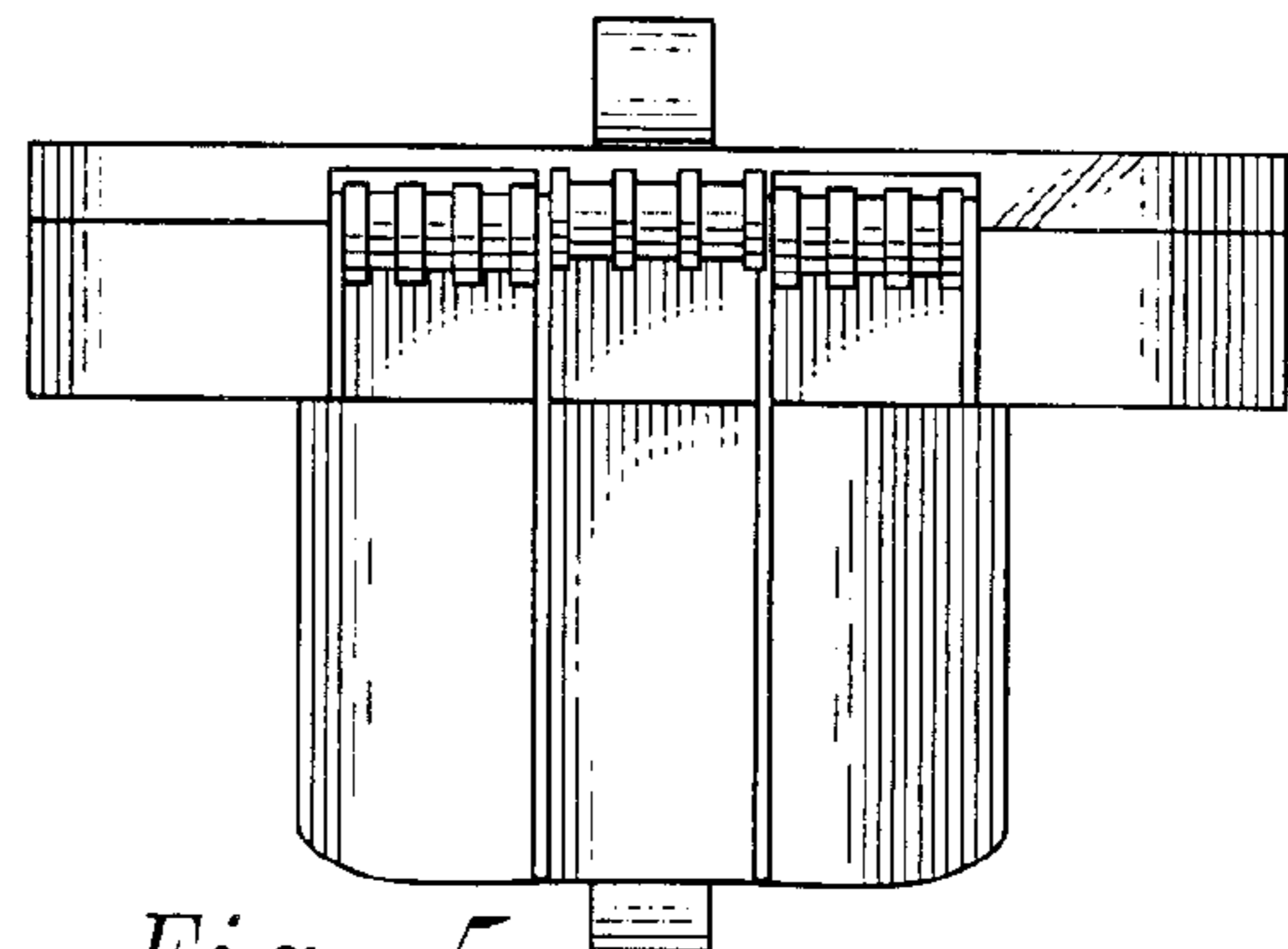


Fig. 5

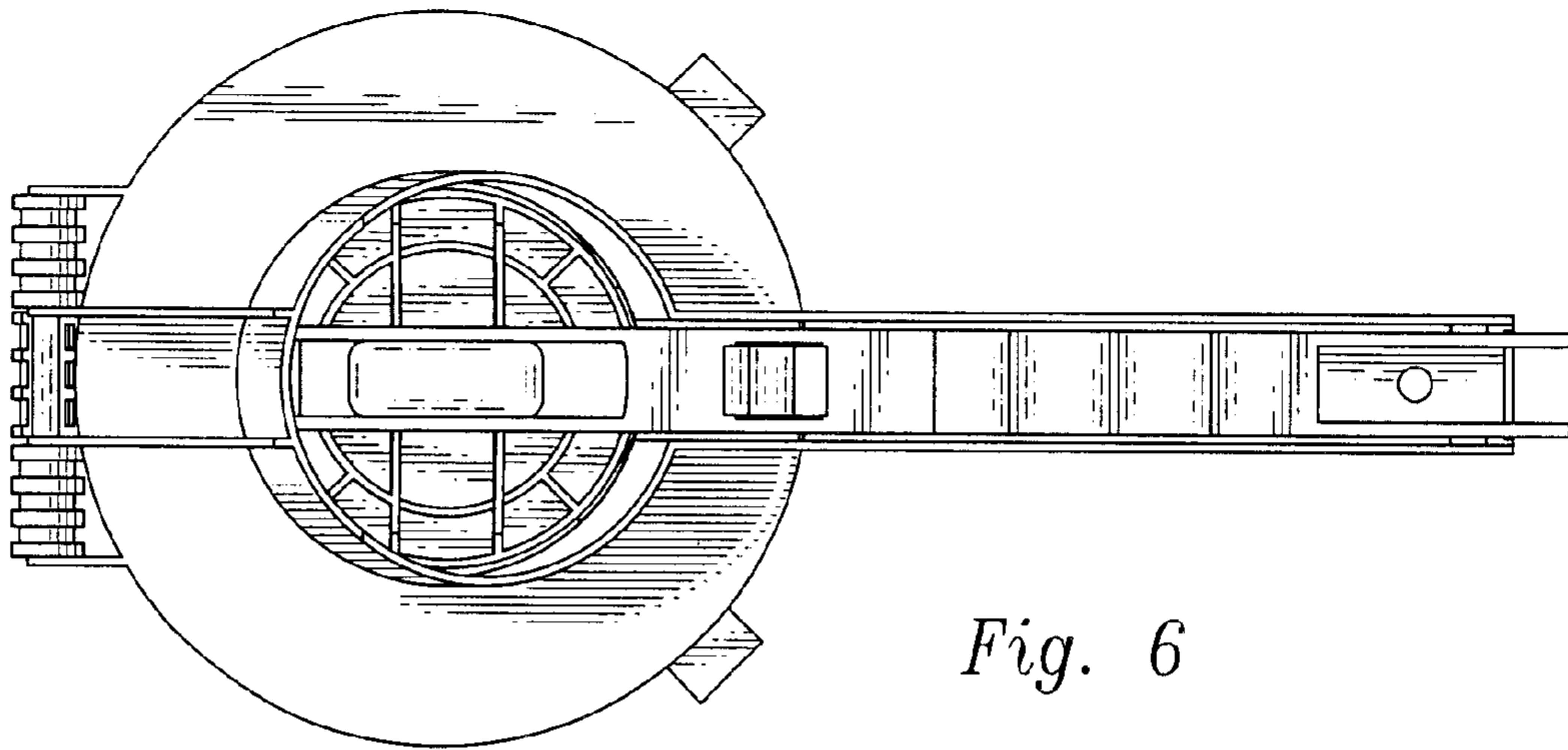


Fig. 6

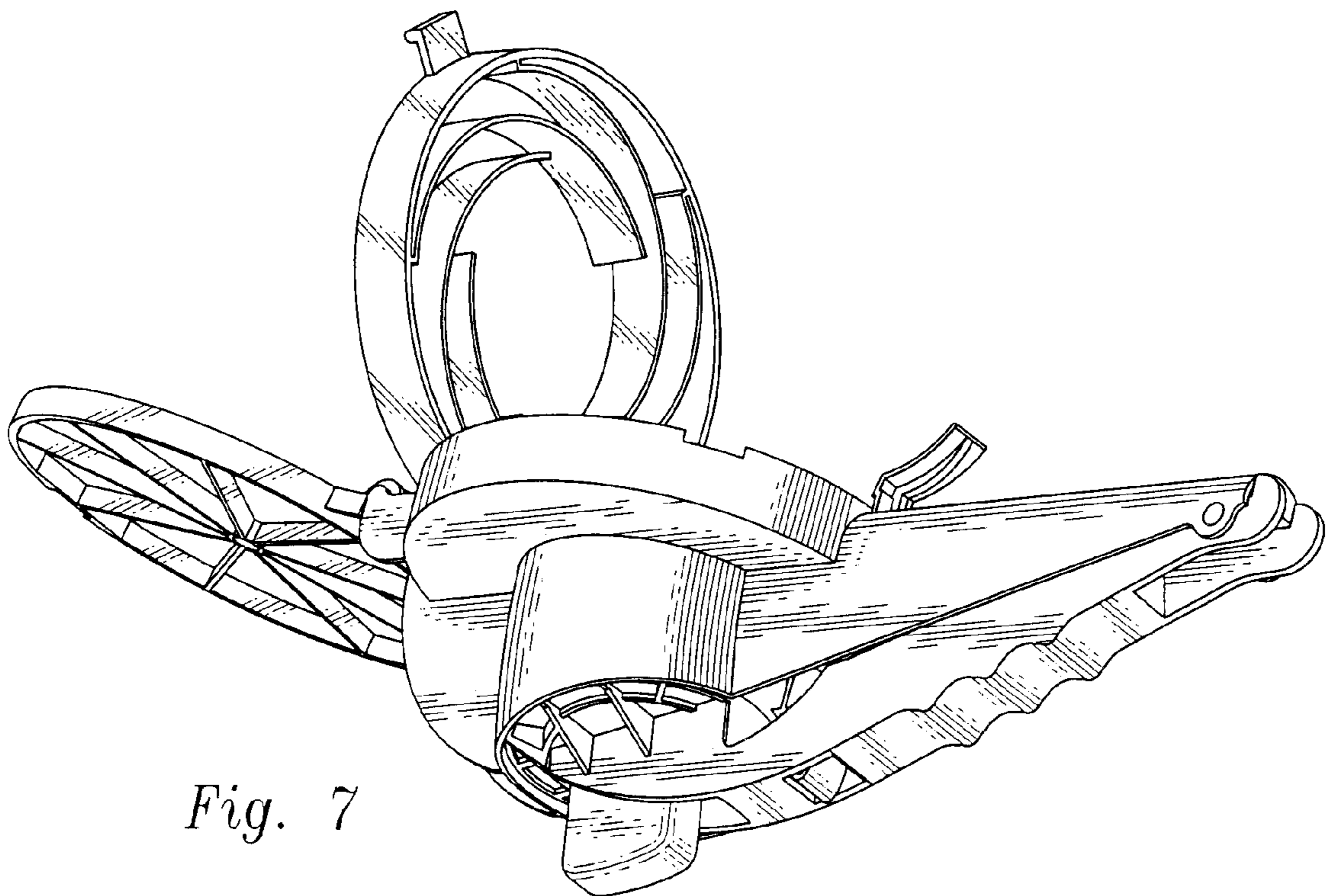


Fig. 7