



US00D535162S

(12) **United States Design Patent**
De Buyer

(10) **Patent No.:** **US D535,162 S**
(45) **Date of Patent:** **** Jan. 16, 2007**

(54) **MANUAL VEGETABLE CUTTER**

D495,218 S * 8/2004 Yu D7/673

(75) Inventor: **Julien De Buyer**, Le Val d'Ajol (FR)

* cited by examiner

(73) Assignee: **De Buyer Industries** (FR)

Primary Examiner—Terry A. Wallace

(**) Term: **14 Years**

(74) *Attorney, Agent, or Firm*—Morgan & Finnegan LLP

(21) Appl. No.: **29/238,464**

(57) **CLAIM**

(22) Filed: **Sep. 15, 2005**

The ornamental design for a manual vegetable cutter, as shown and described.

(51) **LOC (8) Cl.** **07-04**

DESCRIPTION

(52) **U.S. Cl.** **D7/673**

(58) **Field of Classification Search** D7/672,
D7/673, 677, 678, 693, 695, 381; 241/100,
241/95, 168, 169, 273.1–273.4, 274, 285.2;
30/247, 279.6, 280, 278; 83/874, 856, 932,
83/954, 858, 717, 425.3, 431, 436.2, 697,
83/435.15, 437.7, 441.1, 698.11

FIG. 1 is a perspective view of a manual vegetable cutter showing my new design;

FIG. 2 is a plan view of the top of the manual vegetable cutter of the invention;

FIG. 3 is a plan view of the bottom of the manual vegetable cutter of the invention;

FIG. 4 is a plan view of the right side of the manual vegetable cutter of the invention;

FIG. 5 is a plan view of the left side of the manual vegetable cutter of the invention;

FIG. 6 is a plan view of the back of the manual vegetable cutter of the invention; and,

FIG. 7 is a plan view of the front of the manual vegetable cutter of the invention.

See application file for complete search history.

The broken lines are for illustrative purposes only and form no part of the claimed design.

(56) **References Cited**

U.S. PATENT DOCUMENTS

- 1,974,194 A * 9/1934 Phillips 241/101.1
- 4,038,892 A * 8/1977 Popeil 83/874
- D249,044 S * 8/1978 Popeil D7/673
- D393,576 S * 4/1998 Wong D7/678
- D400,767 S * 11/1998 de Saint-Genois D7/673
- 6,732,622 B1 5/2004 Vincent

1 Claim, 7 Drawing Sheets

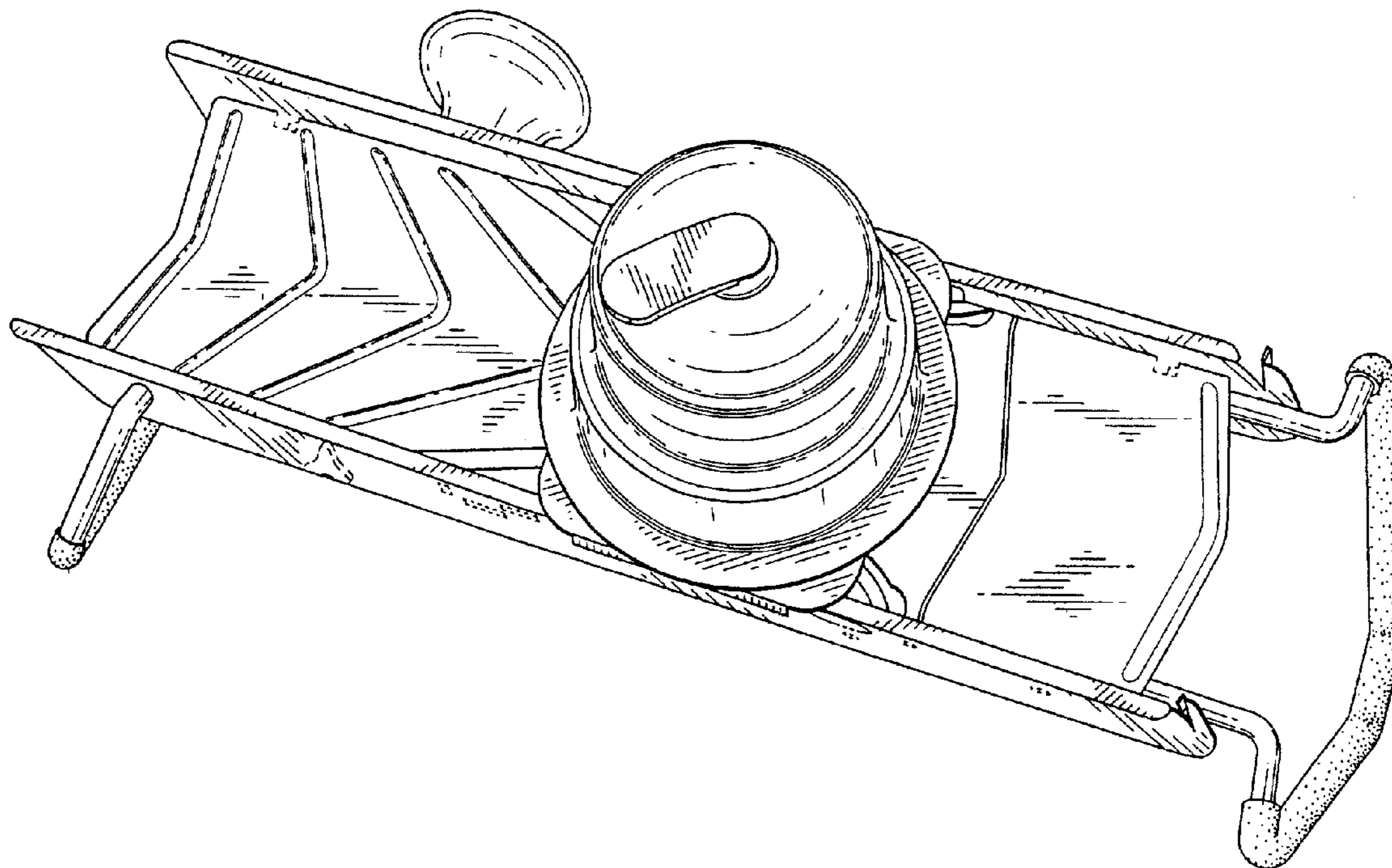


FIG. 1

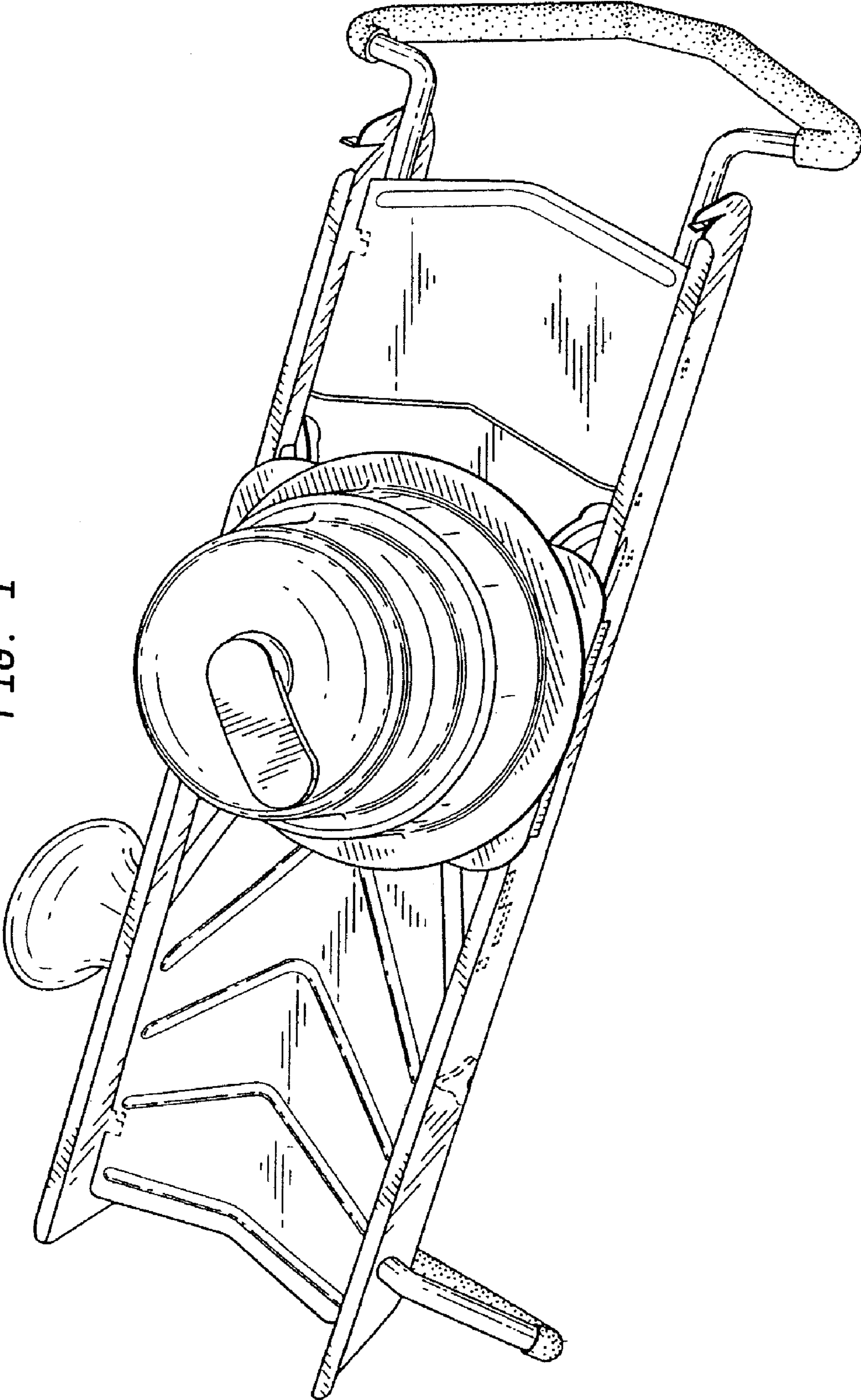


FIG. 2

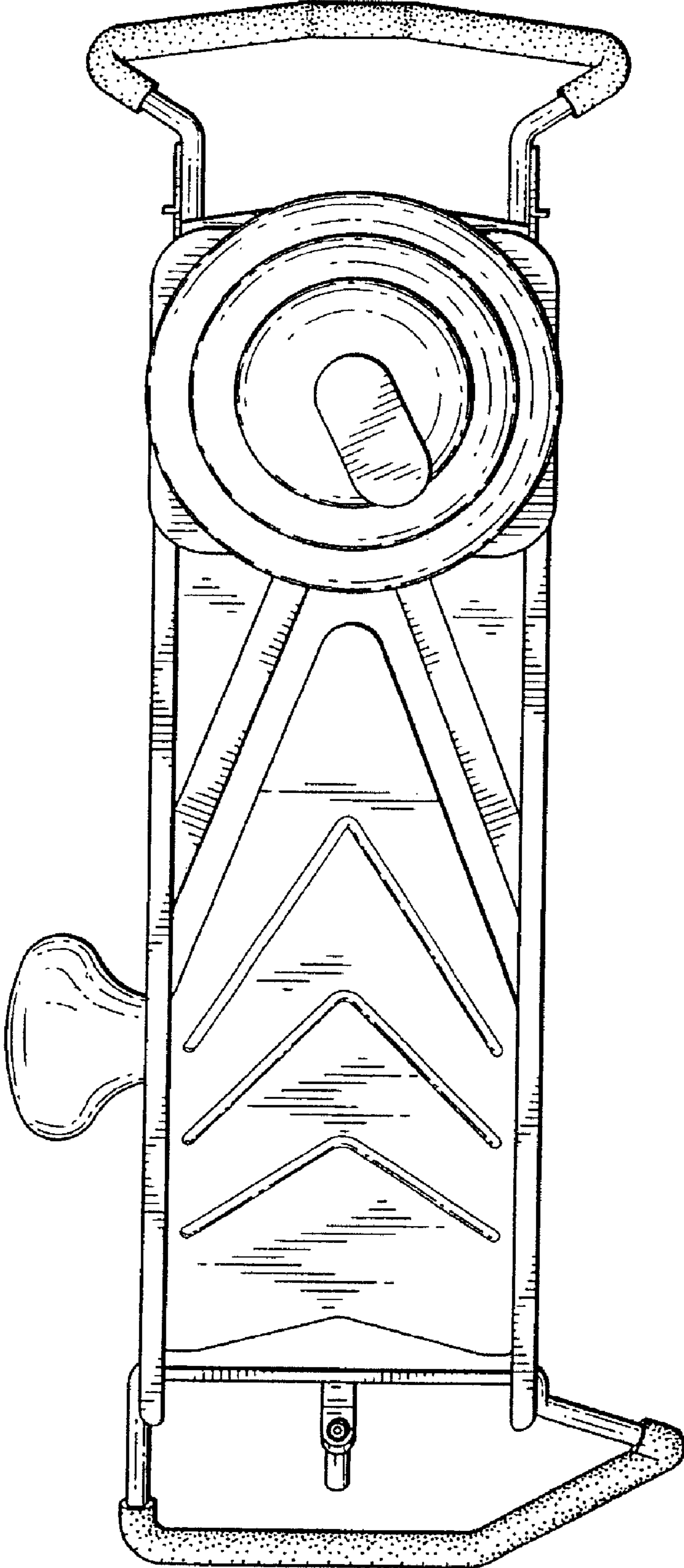


FIG. 3

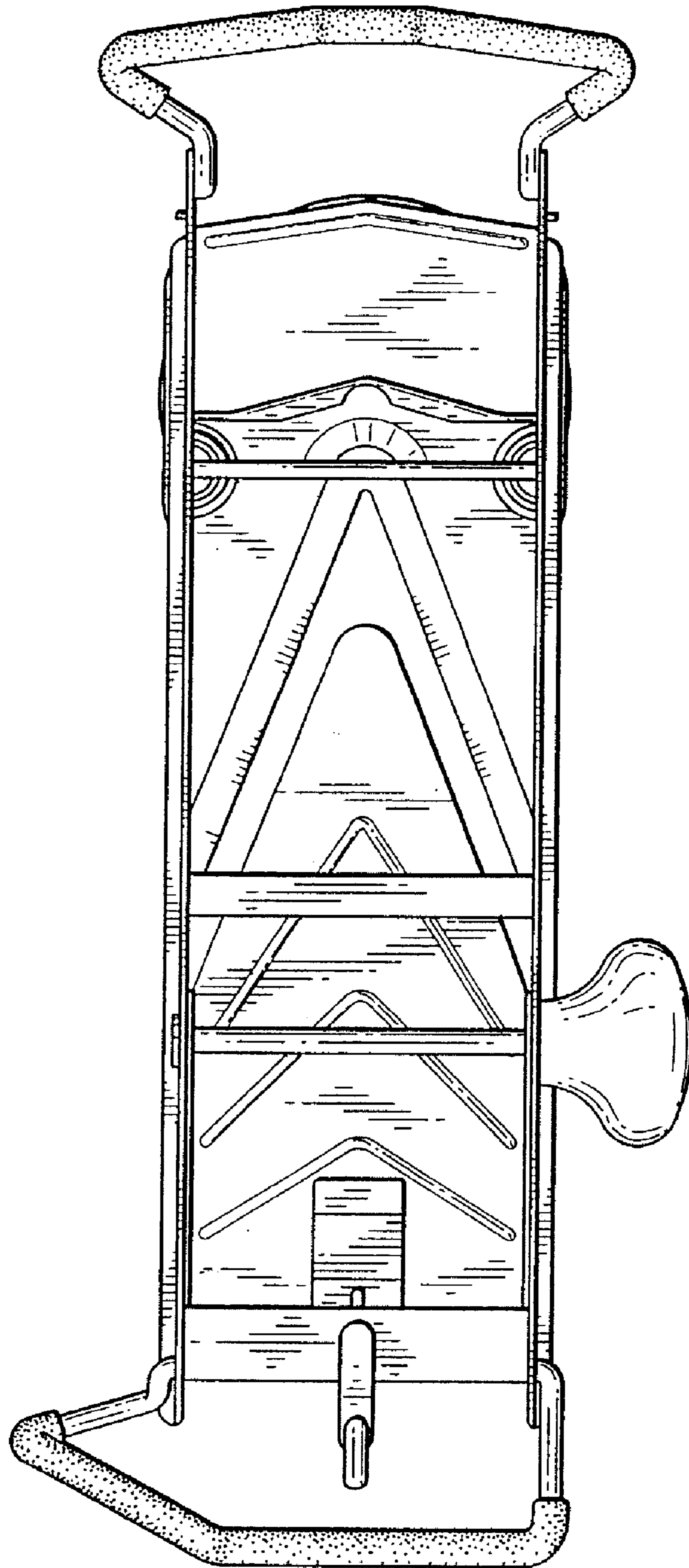


FIG. 4

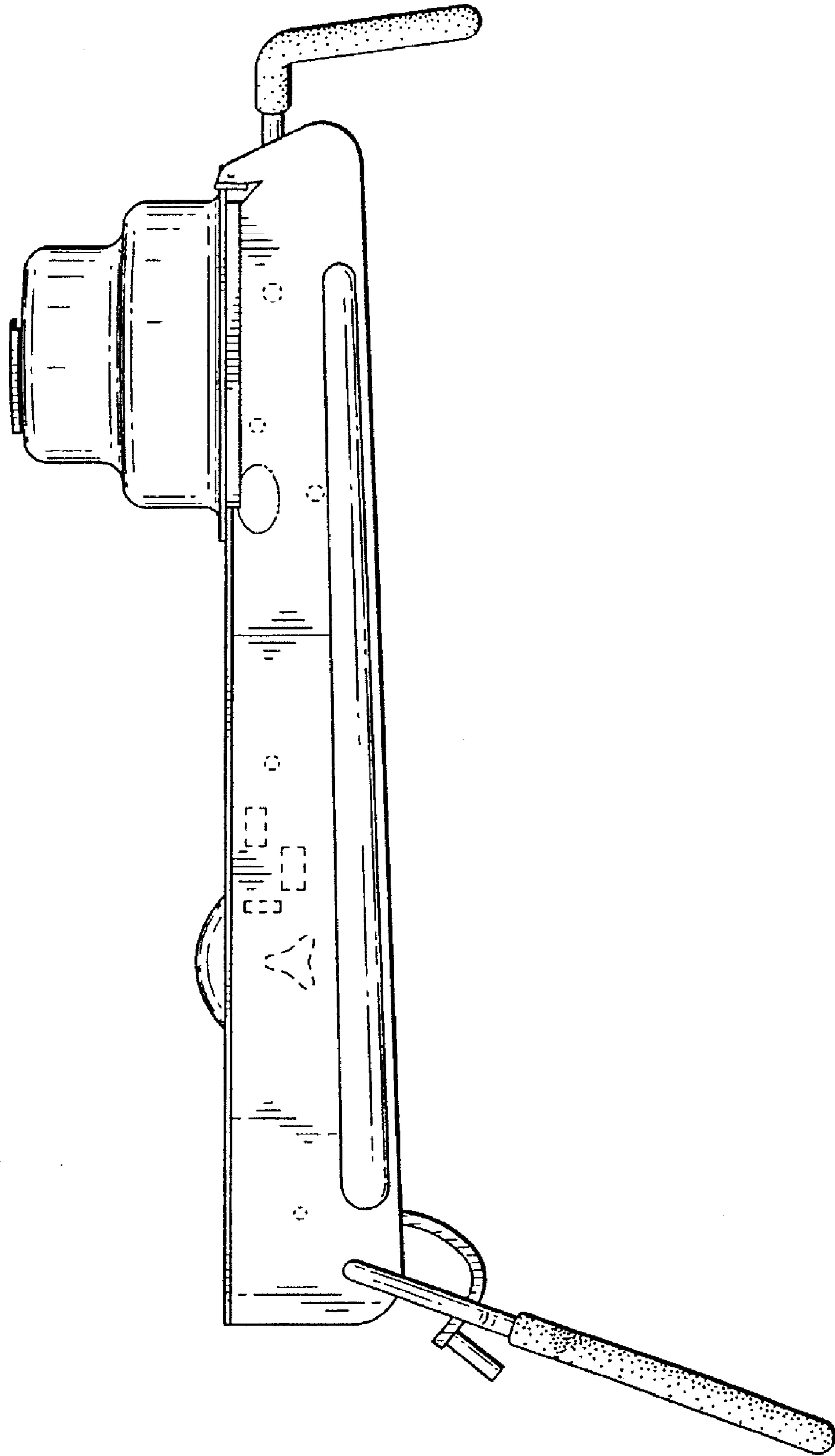


FIG. 5

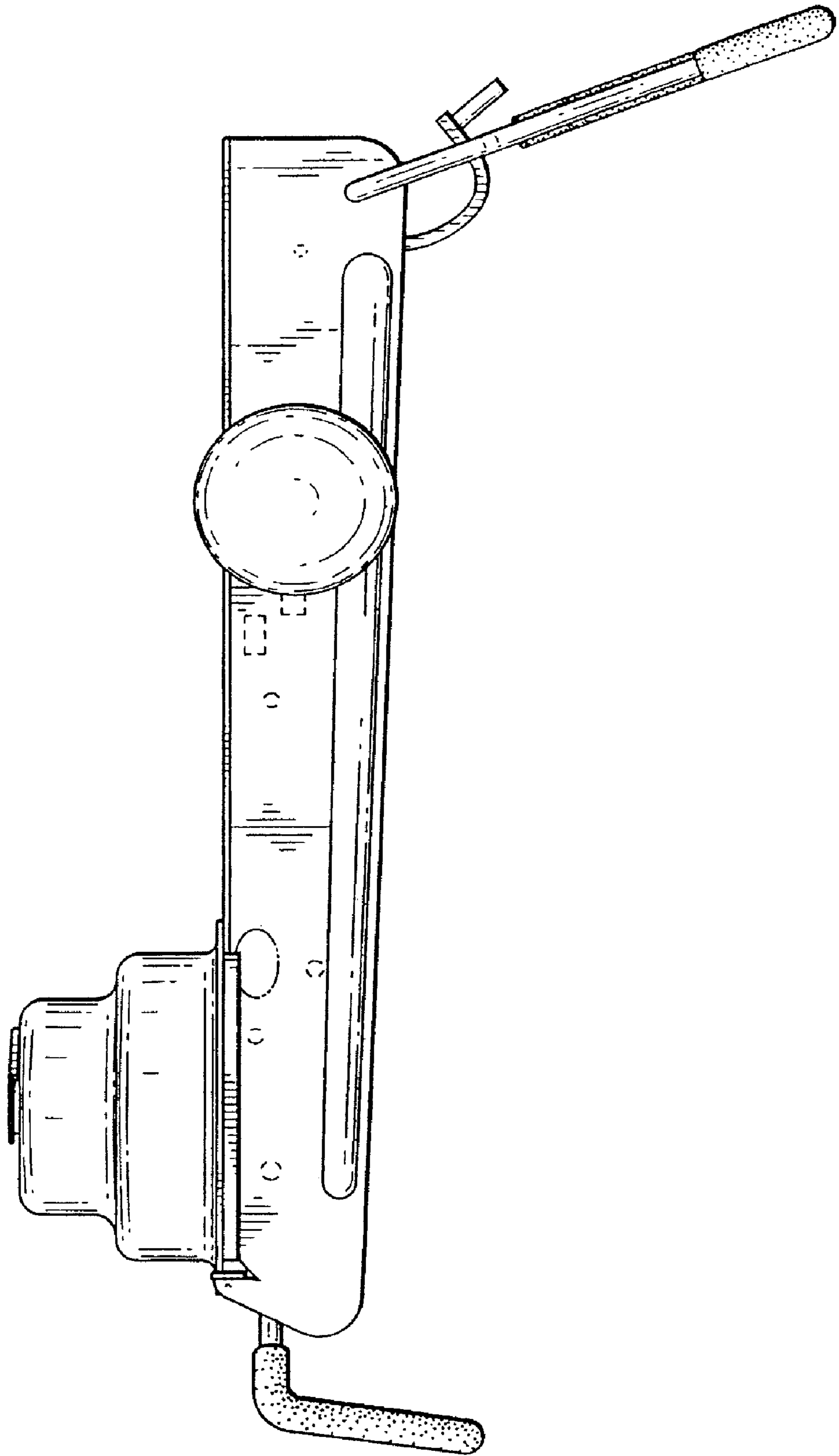


FIG. 6

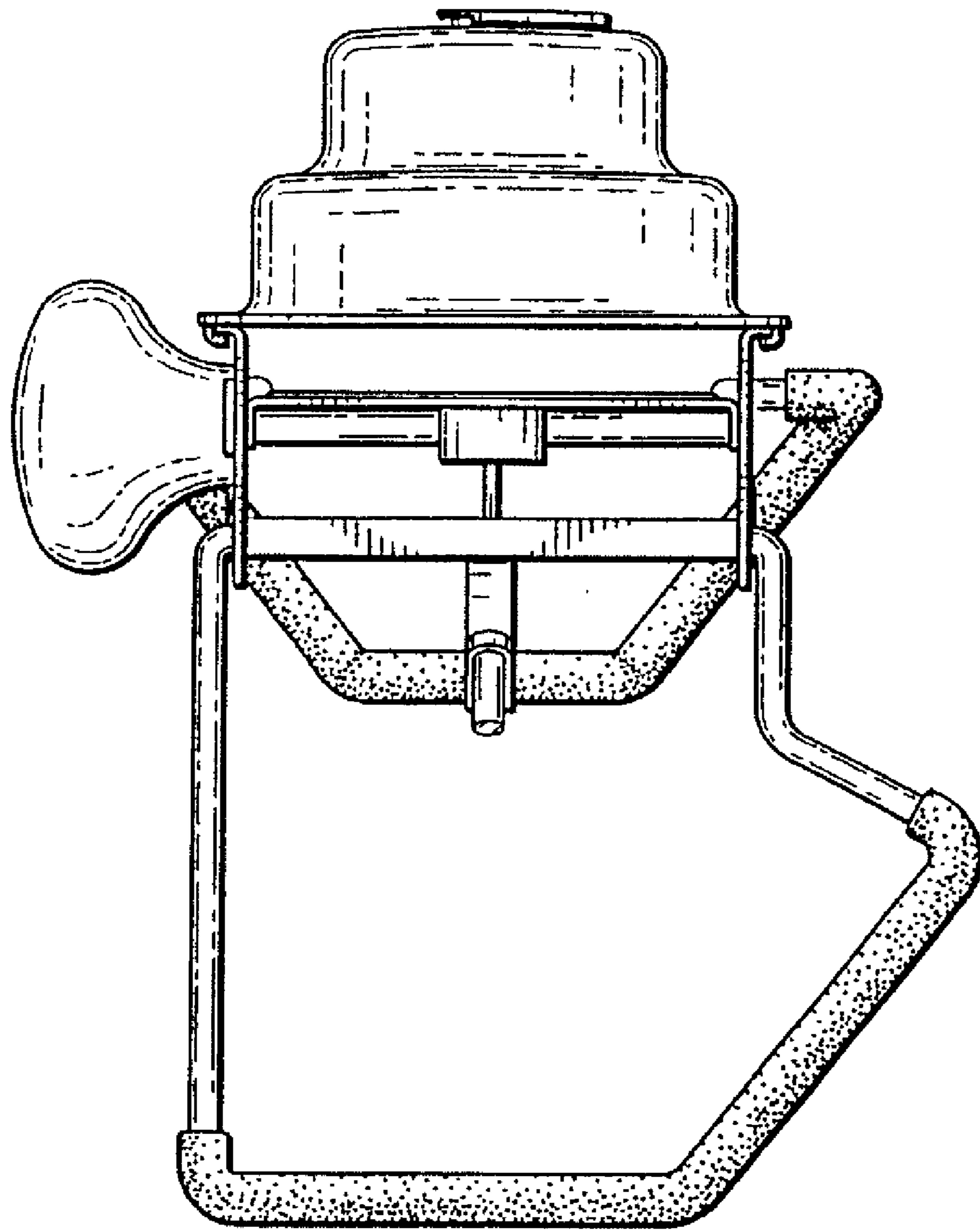


FIG. 7

