

US00D535154S

(12) **United States Design Patent**
Lam

(10) **Patent No.:** **US D535,154 S**
(45) **Date of Patent:** **** Jan. 16, 2007**

(54) **COMBINED WINE COOLER AND WARMER**

DESCRIPTION

- (75) Inventor: **Hoi Tak Raymond Lam**, Hong Kong (HK)
- (73) Assignee: **South Asia International (HK) Ltd**, Hong Kong (HK)
- (**) Term: **14 Years**
- (21) Appl. No.: **29/243,950**
- (22) Filed: **Dec. 1, 2005**
- (51) **LOC (8) Cl.** **07-01**
- (52) **U.S. Cl.** **D7/605**
- (58) **Field of Classification Search** D7/603-608;
62/457.1-457.9, 371, 372, 3.62, 3.64, 530
See application file for complete search history.

FIG. 1 is a front perspective view of a combined wine cooler and warmer showing a new design as illustrated in a lateral position;

FIG. 2 is a front view thereof;

FIG. 3 is a rear view thereof;

FIG. 4 is a top plan view thereof;

FIG. 5 is a bottom plan view thereof;

FIG. 6 is a left side view thereof;

FIG. 7 is a right side view thereof;

FIG. 8 is a perspective view thereof, together with a wine bottle illustrated in broken lines;

FIG. 9 is a rear perspective view thereof;

FIG. 10 is a front perspective view of the combined wine cooler and warmer of FIG. 1 illustrated in a vertical position;

FIG. 11 is a front view for the vertical position thereof;

FIG. 12 is a rear view for the vertical position thereof;

FIG. 13 is a top plan view for the vertical position thereof;

FIG. 14 is a bottom plan view for the vertical position thereof;

FIG. 15 is a left side view for the vertical position thereof;

FIG. 16 is a right side view for the vertical position thereof;

FIG. 17 is a perspective view for the vertical position thereof together with a wine bottle which is illustrated in broken lines; and,

FIG. 18 is a rear perspective view for the vertical position thereof.

The portions shown in broken lines form no part of the claimed design.

(56) **References Cited**

U.S. PATENT DOCUMENTS

4,164,851	A	*	8/1979	Bryant	62/457.8
4,531,381	A	*	7/1985	Toro et al.	62/372
5,060,479	A	*	10/1991	Carmi et al.	62/3.62
5,966,964	A	*	10/1999	Pattee	62/457.4
6,237,360	B1	*	5/2001	Corona	62/457.4
6,357,251	B1	*	3/2002	Marks	62/530
6,397,624	B1	*	6/2002	Horwell	62/457.8

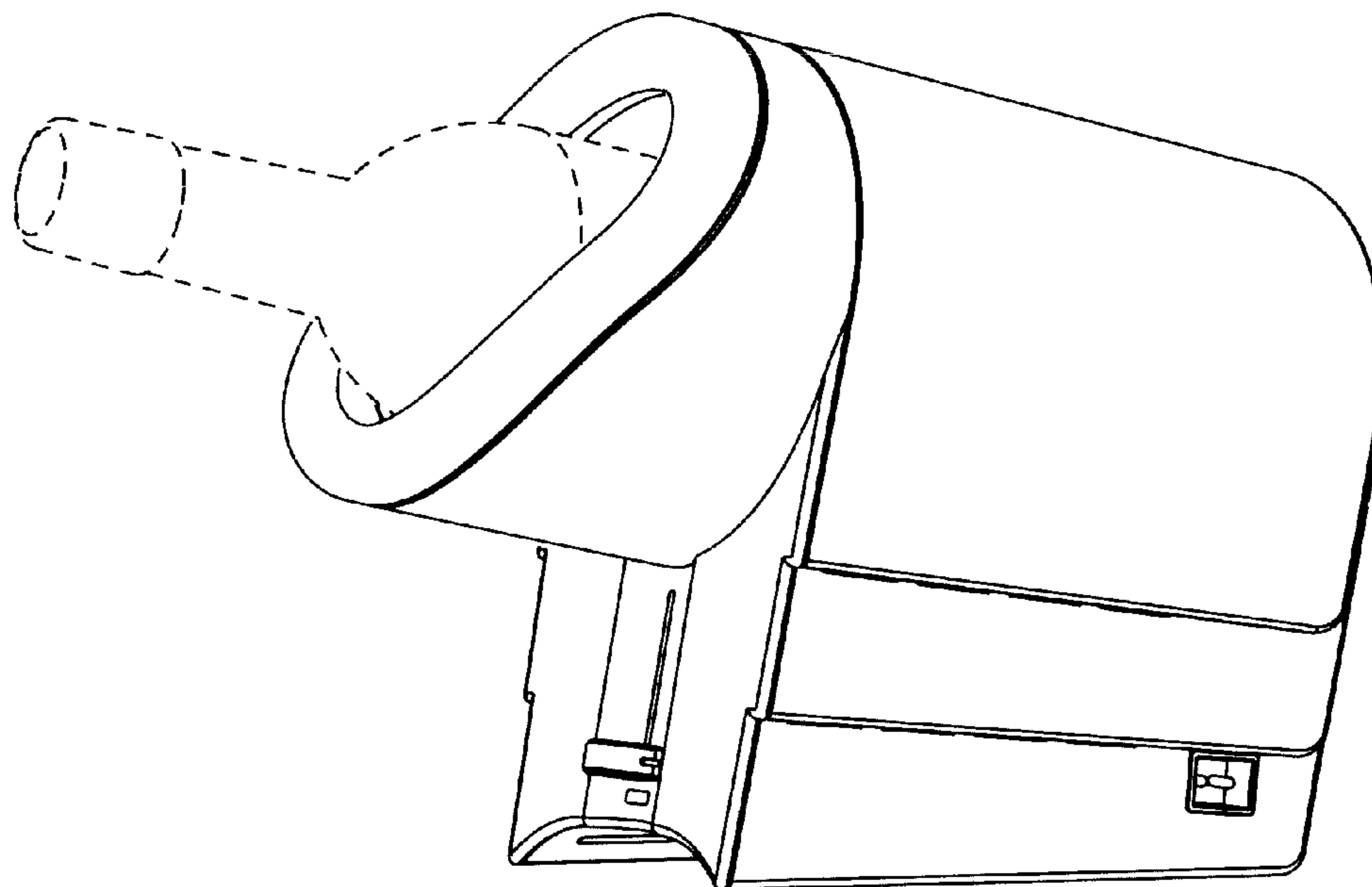
* cited by examiner

Primary Examiner—Terry A. Wallace
(74) *Attorney, Agent, or Firm*—Alix, Yale & Ristas, LLP

(57) **CLAIM**

The ornamental design for a combined wine cooler and warmer, as shown and described.

1 Claim, 18 Drawing Sheets



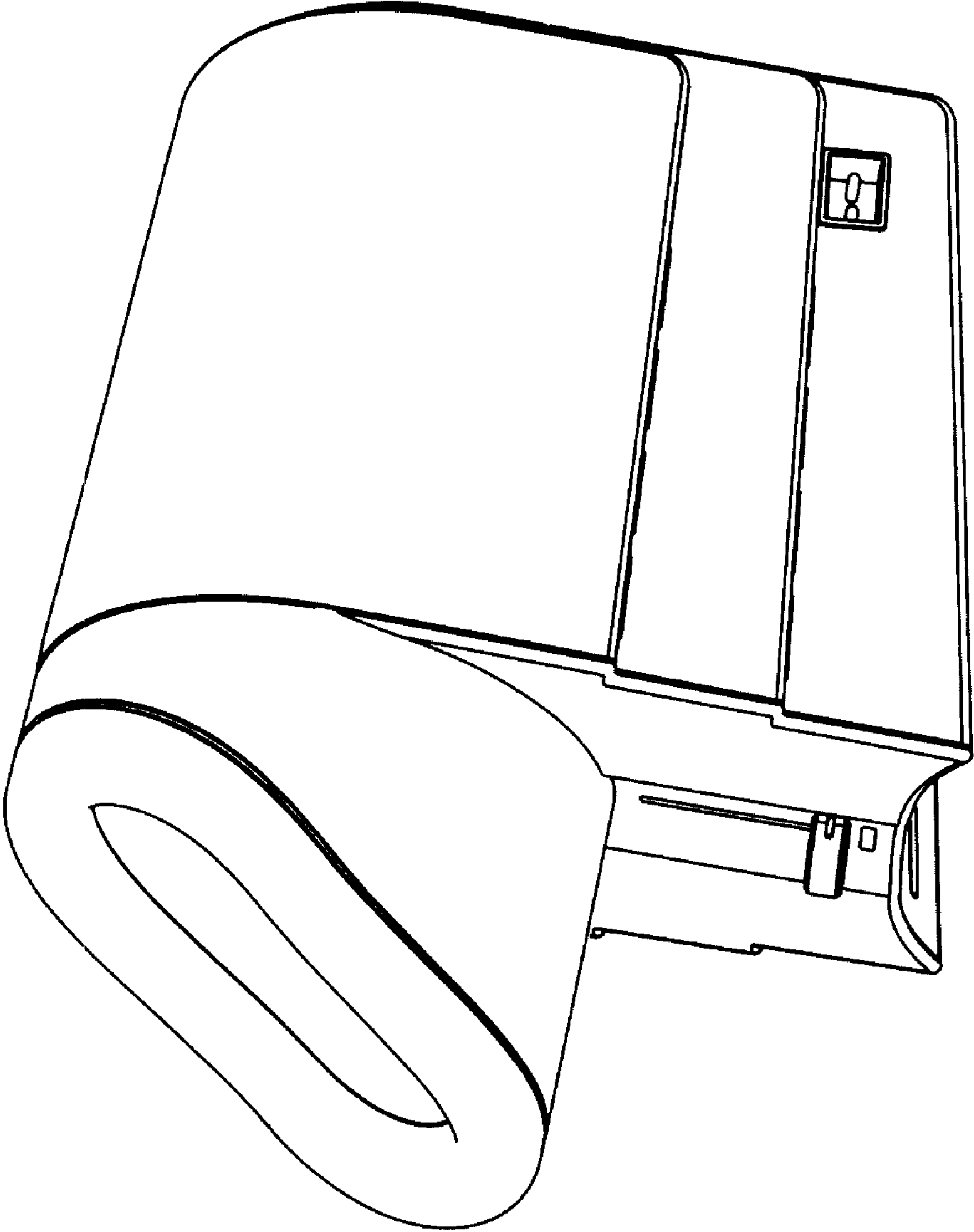


Figure 1

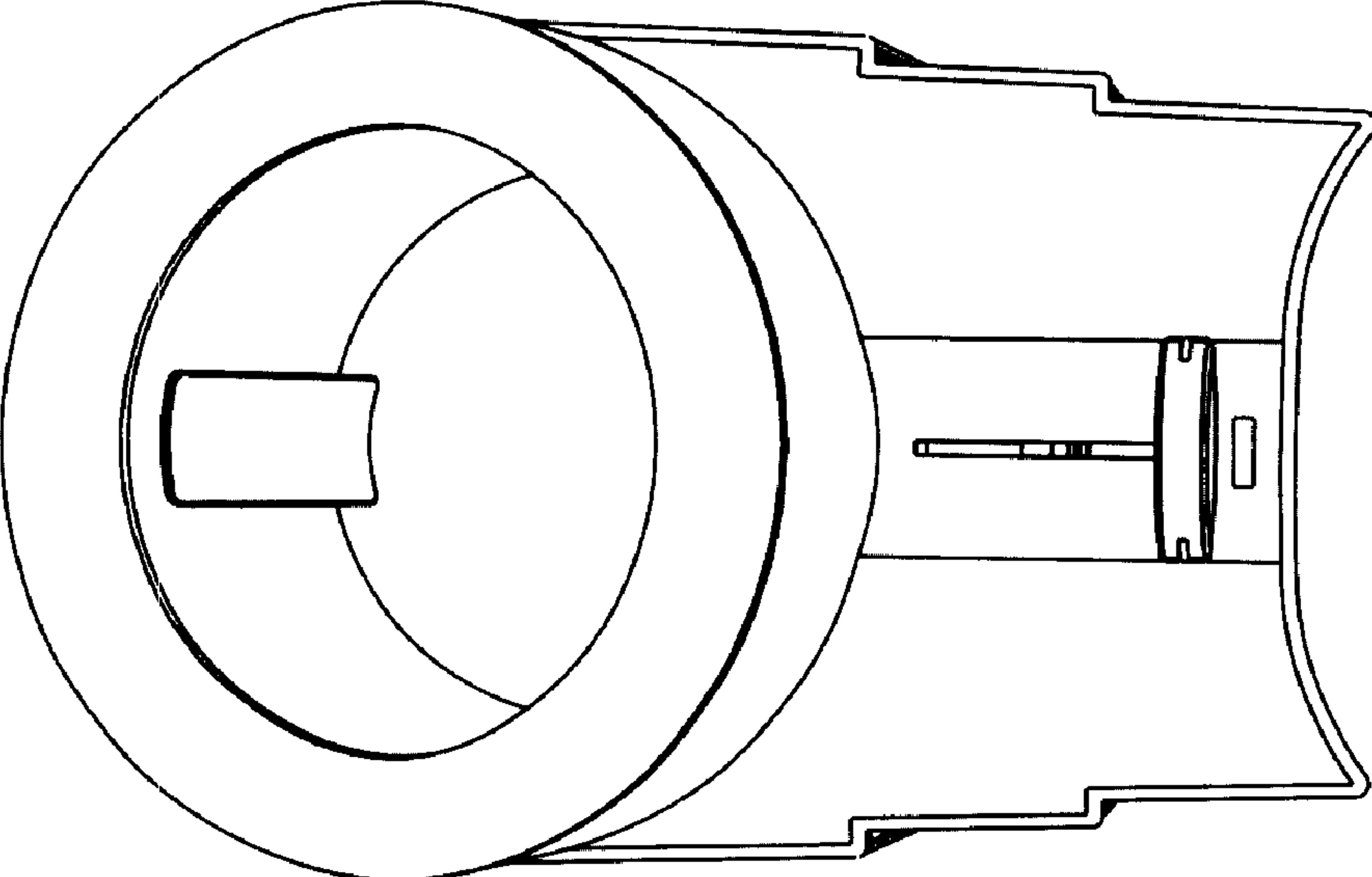


Figure 2

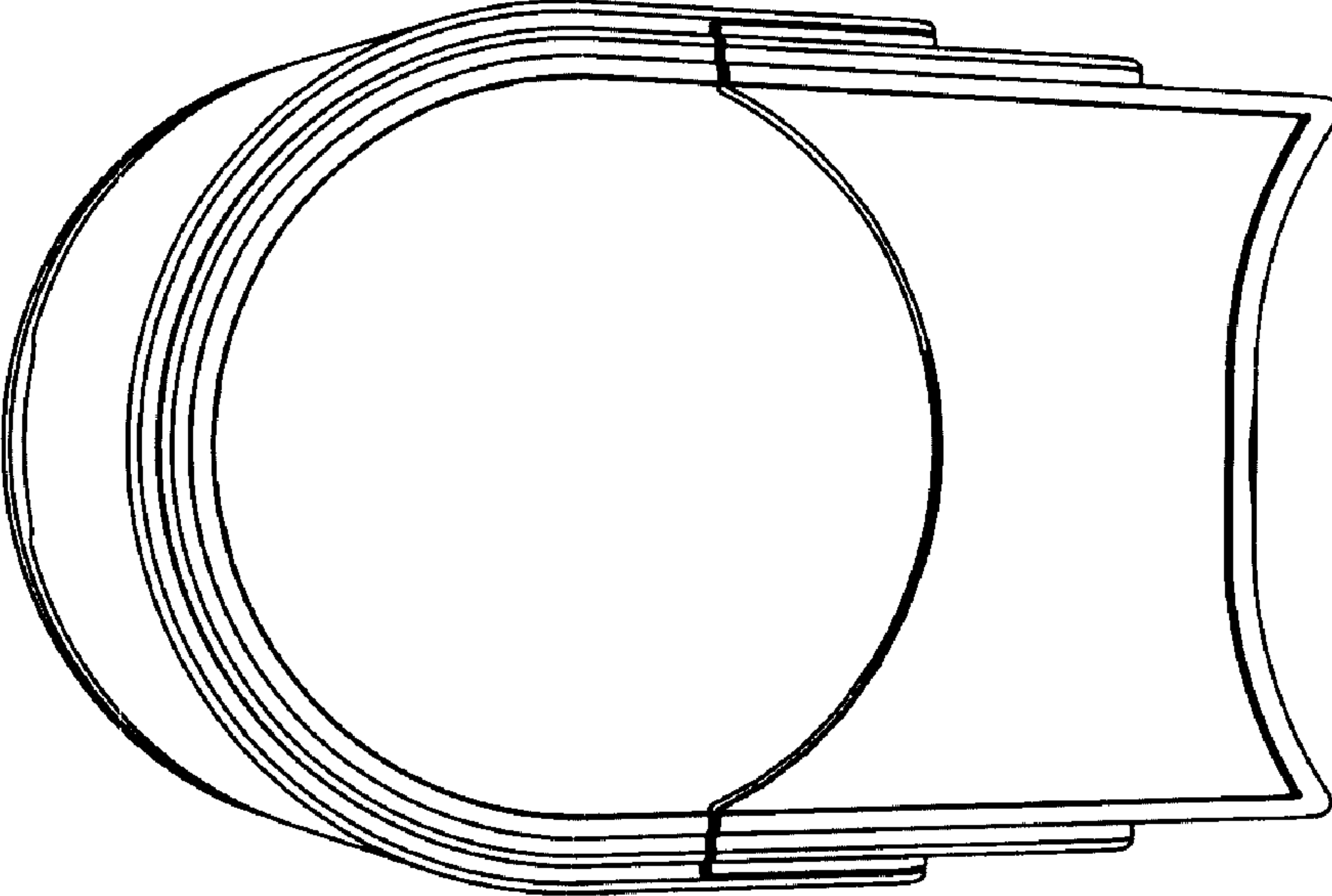


Figure 3

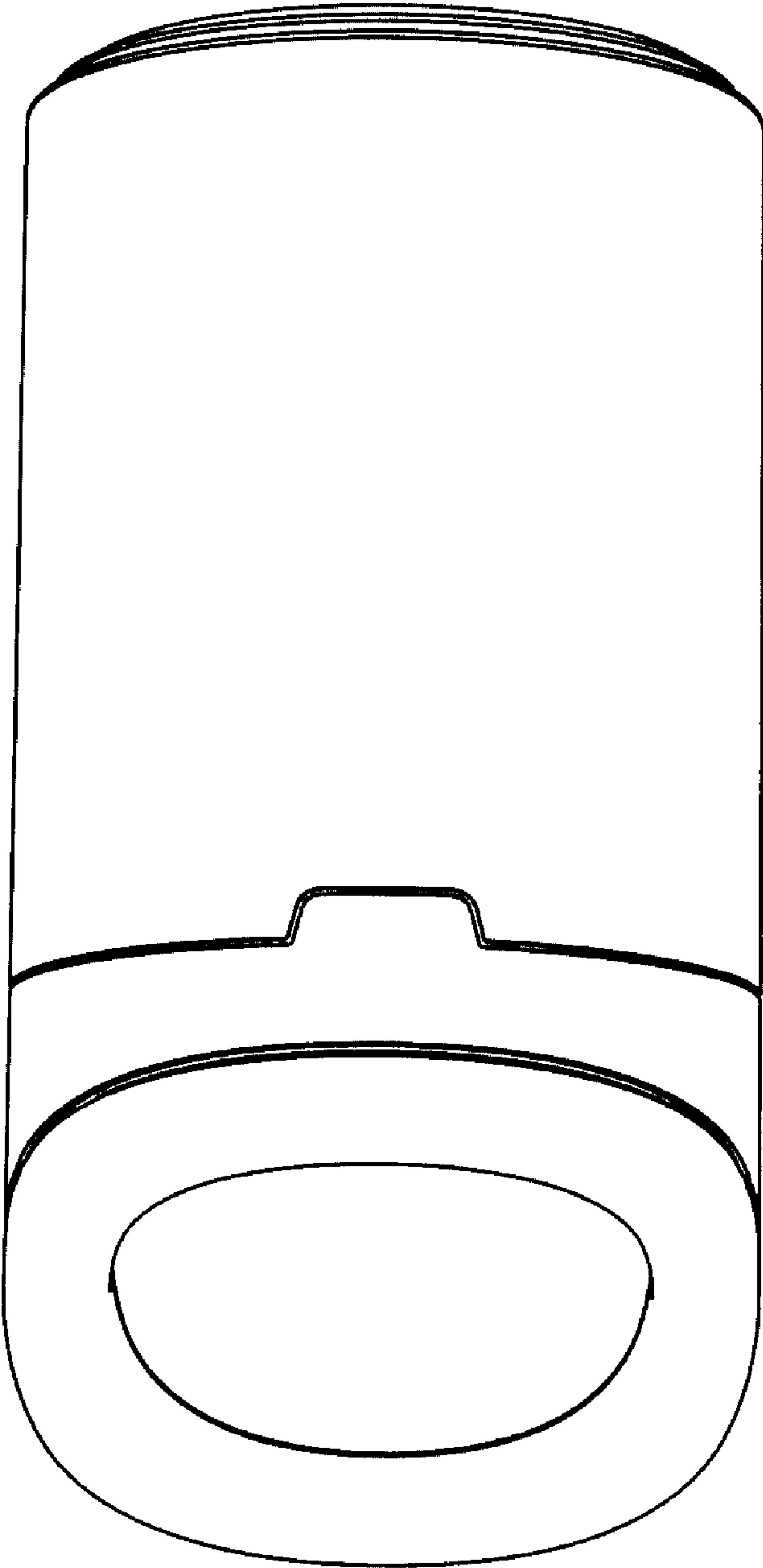


Figure 4

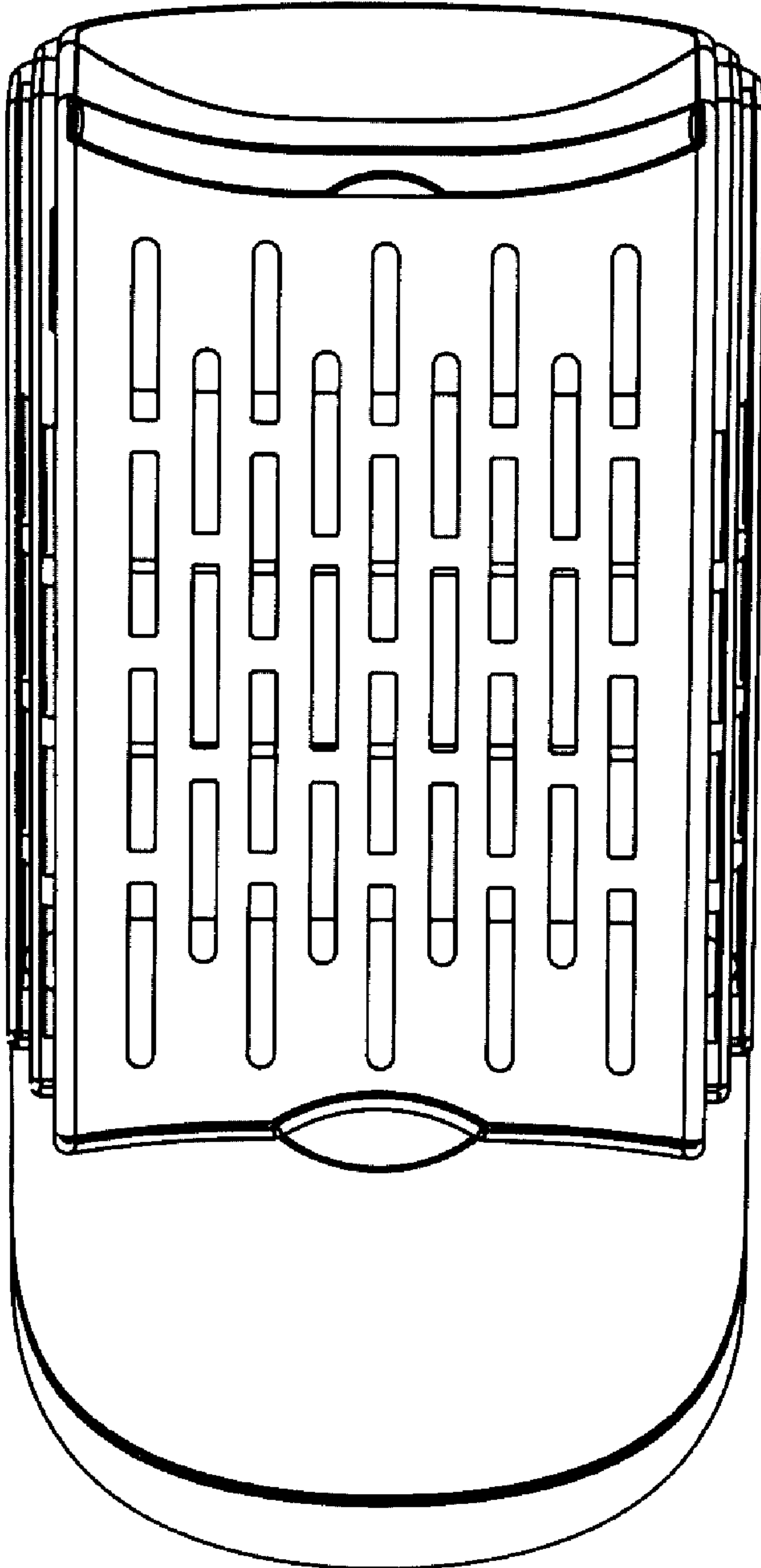


Figure 5

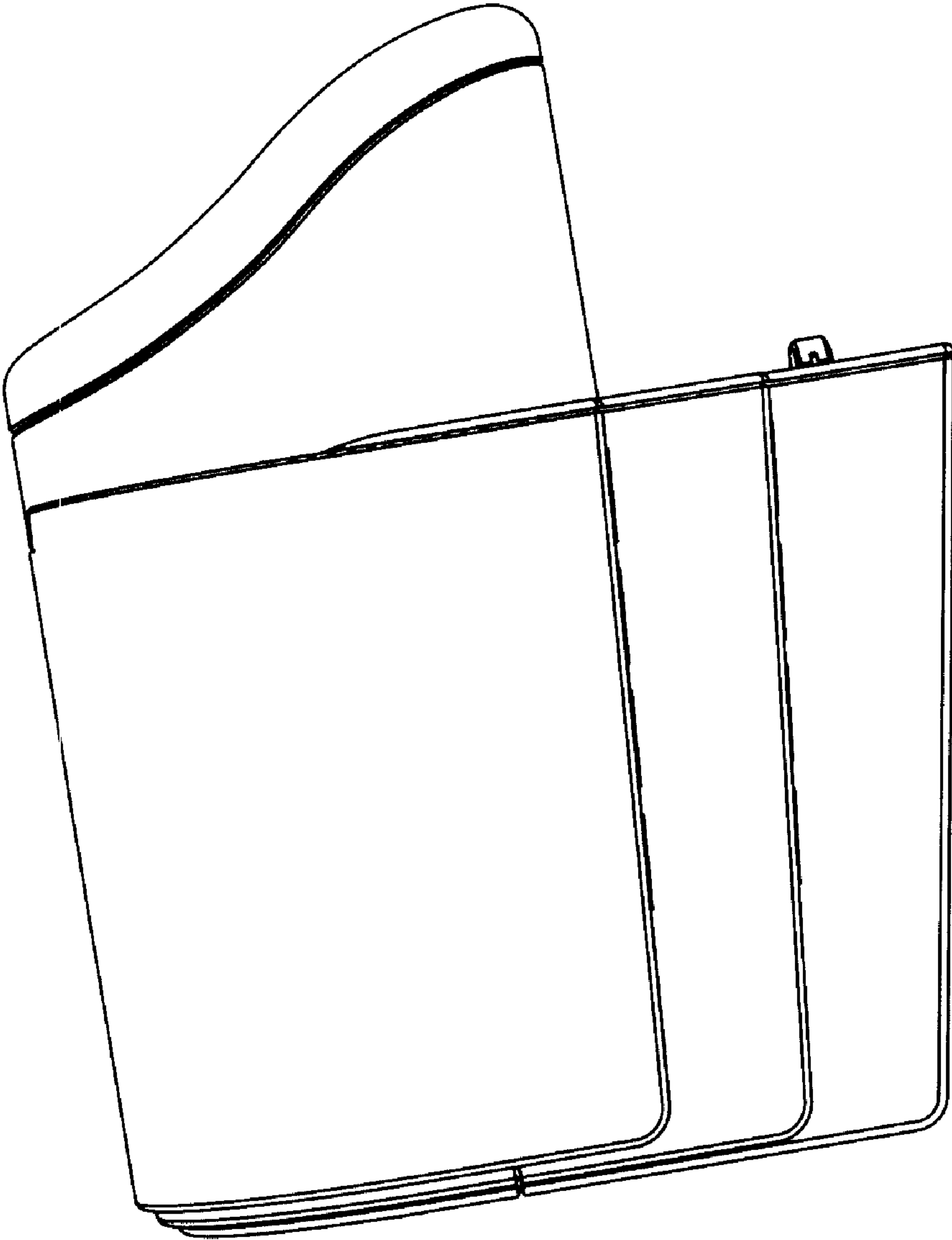


Figure 6

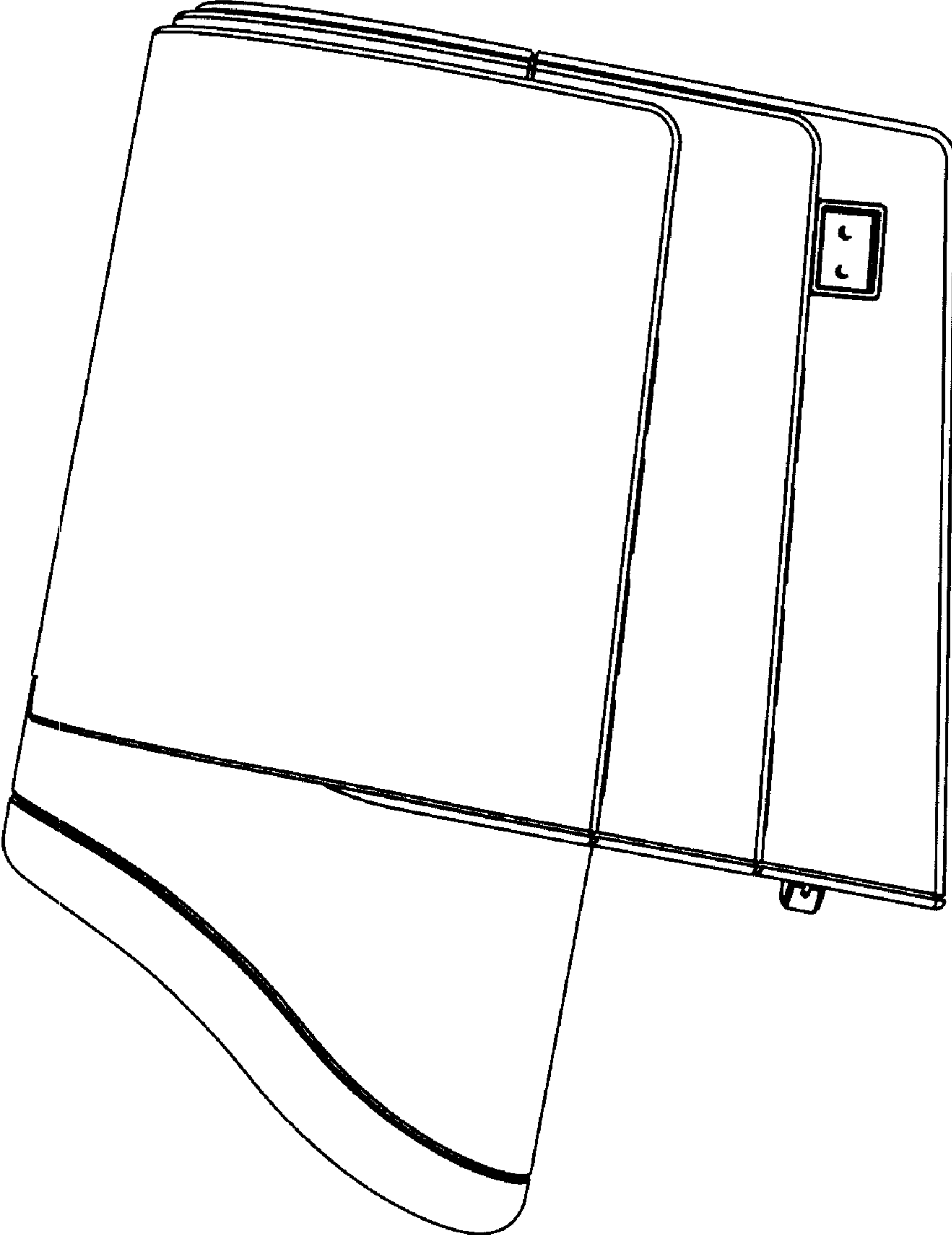


Figure 7

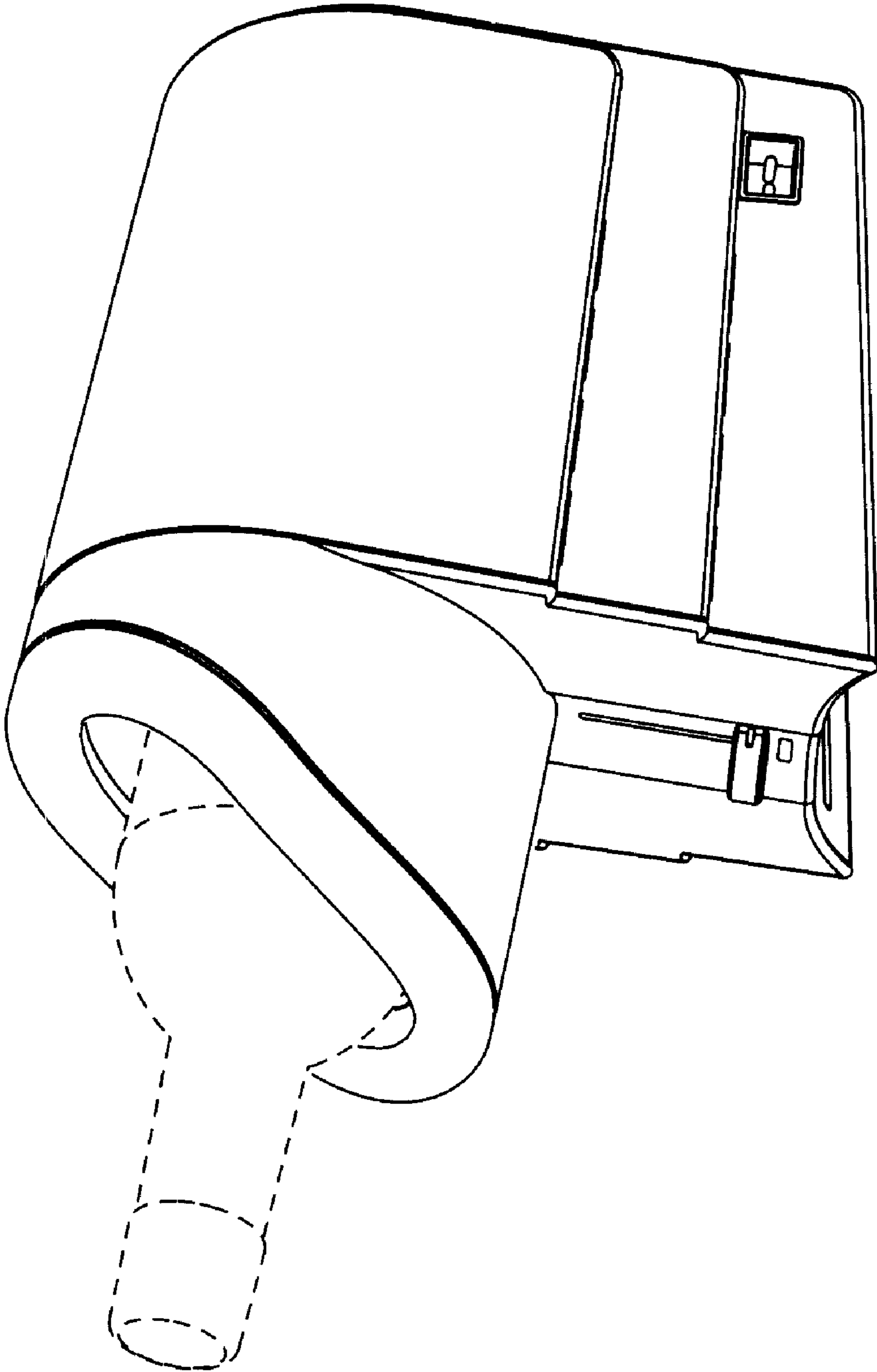


Figure 8

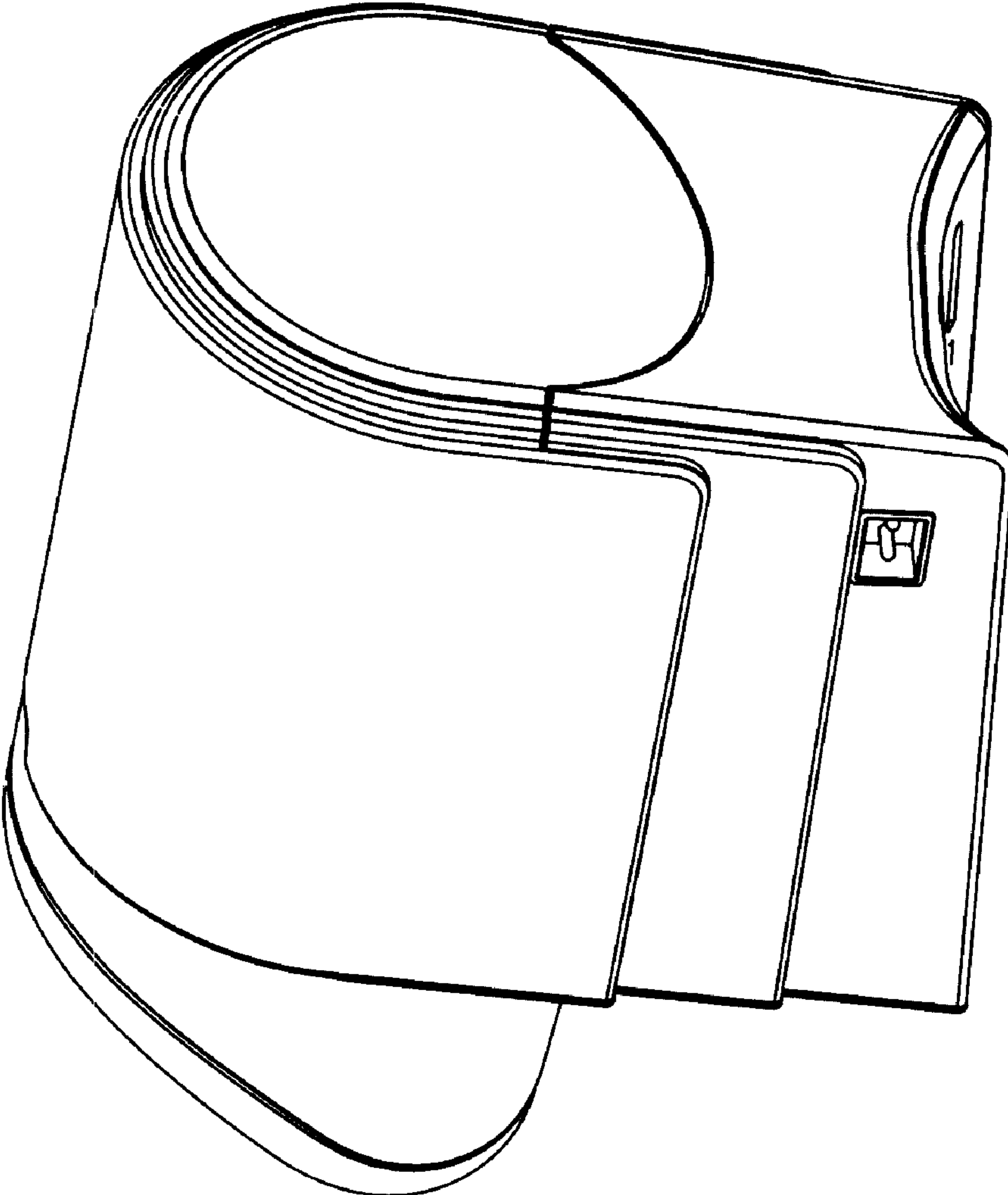


Figure 9

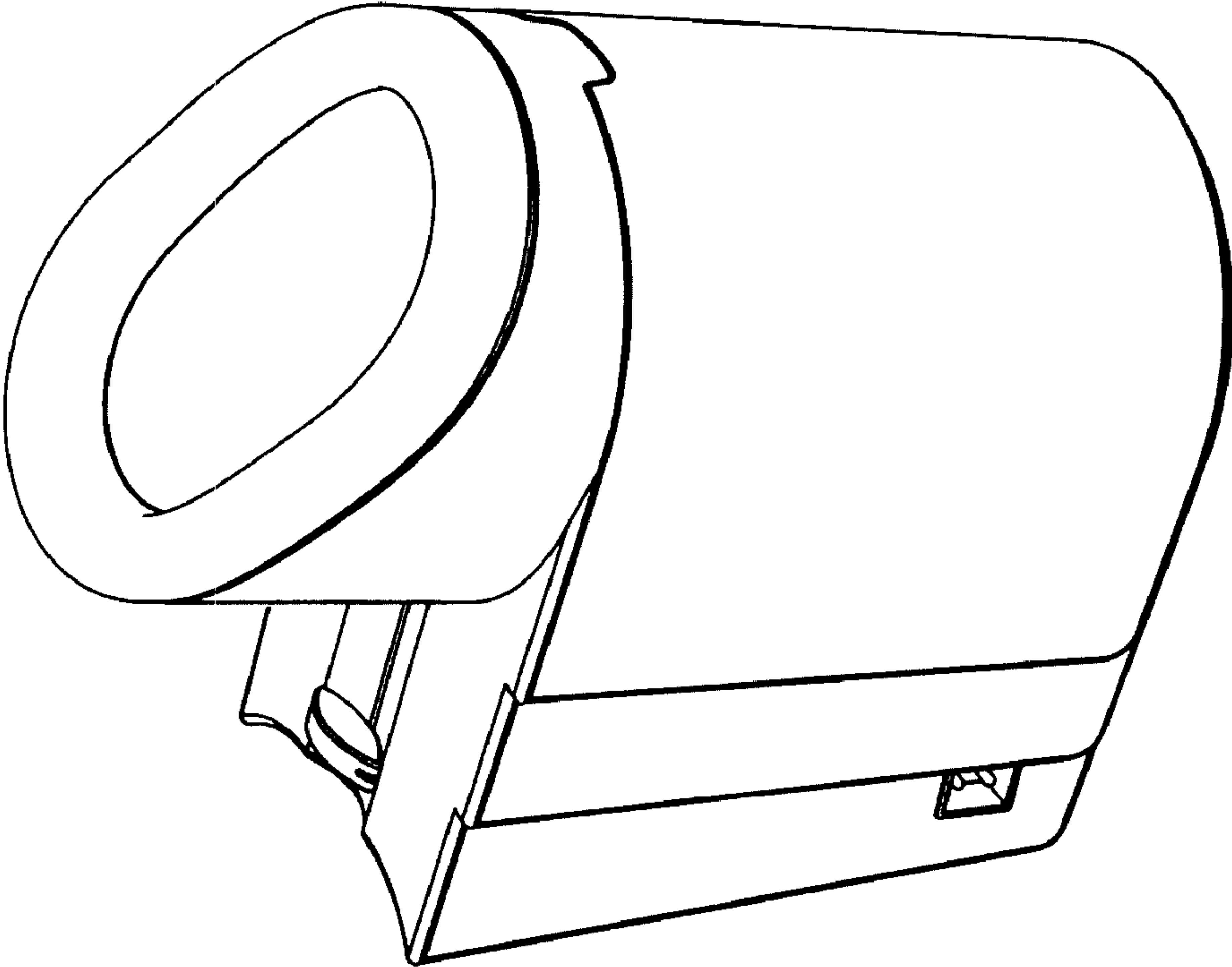


Figure 10

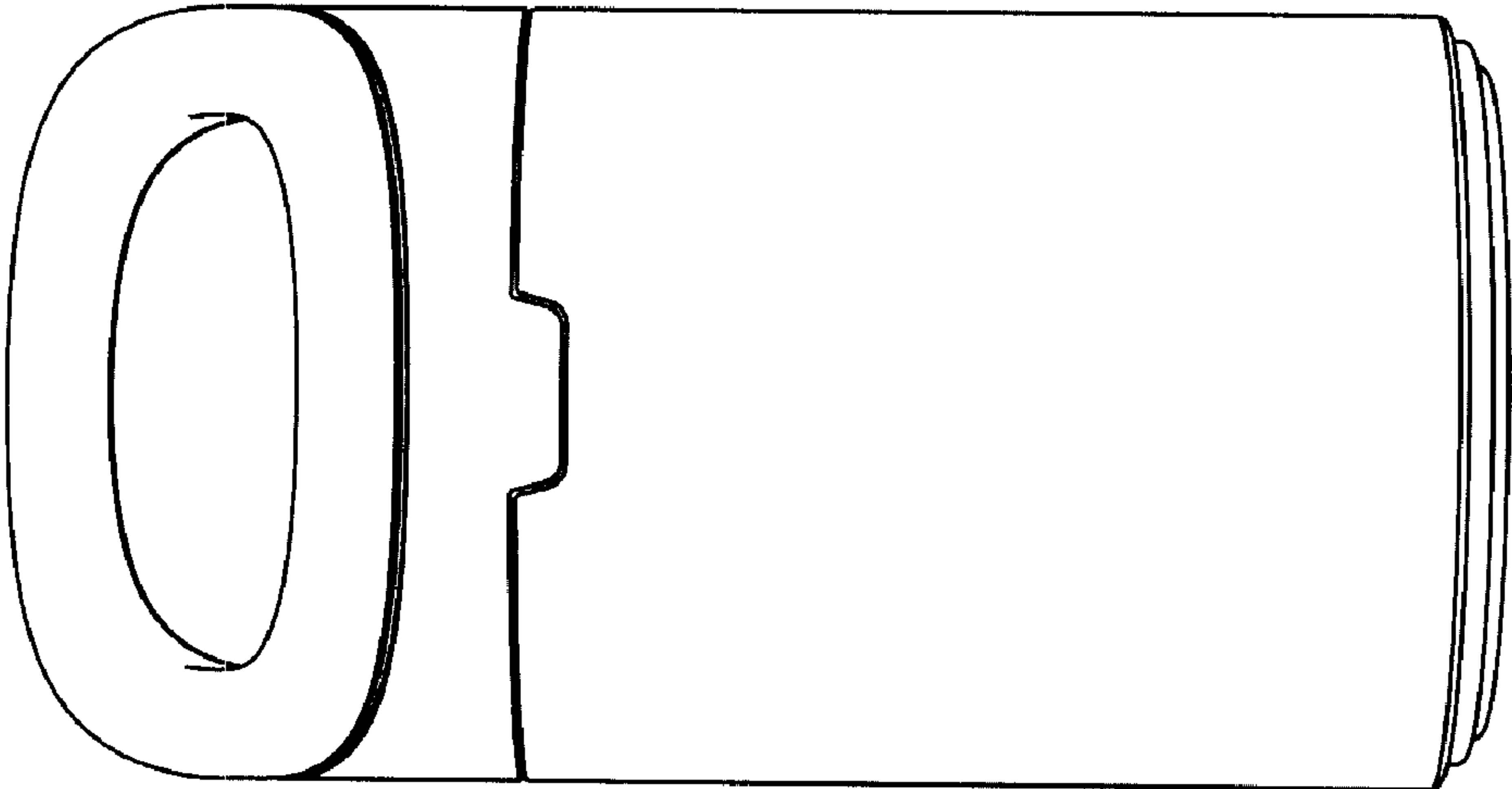


Figure 11

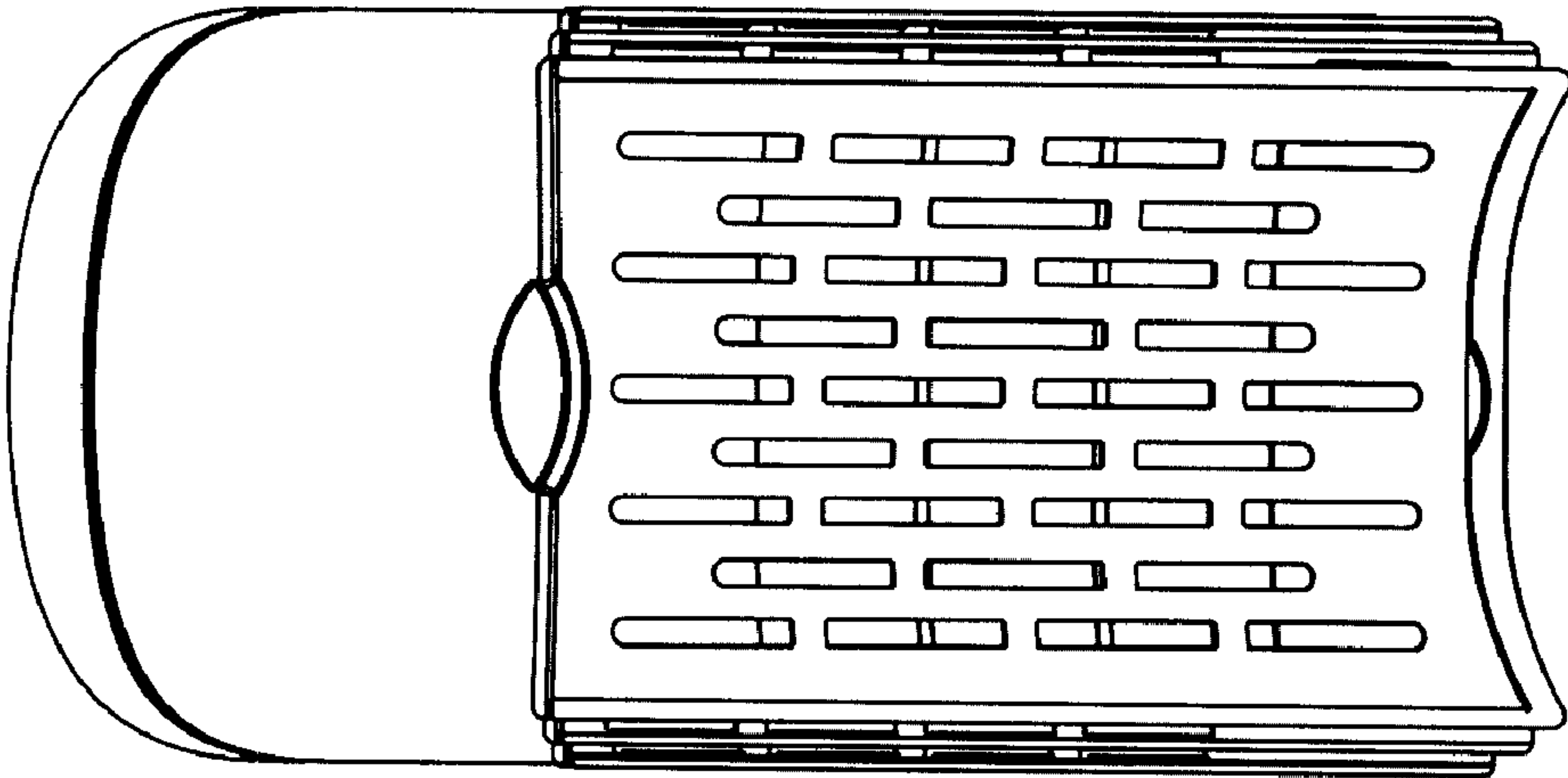


Figure 12

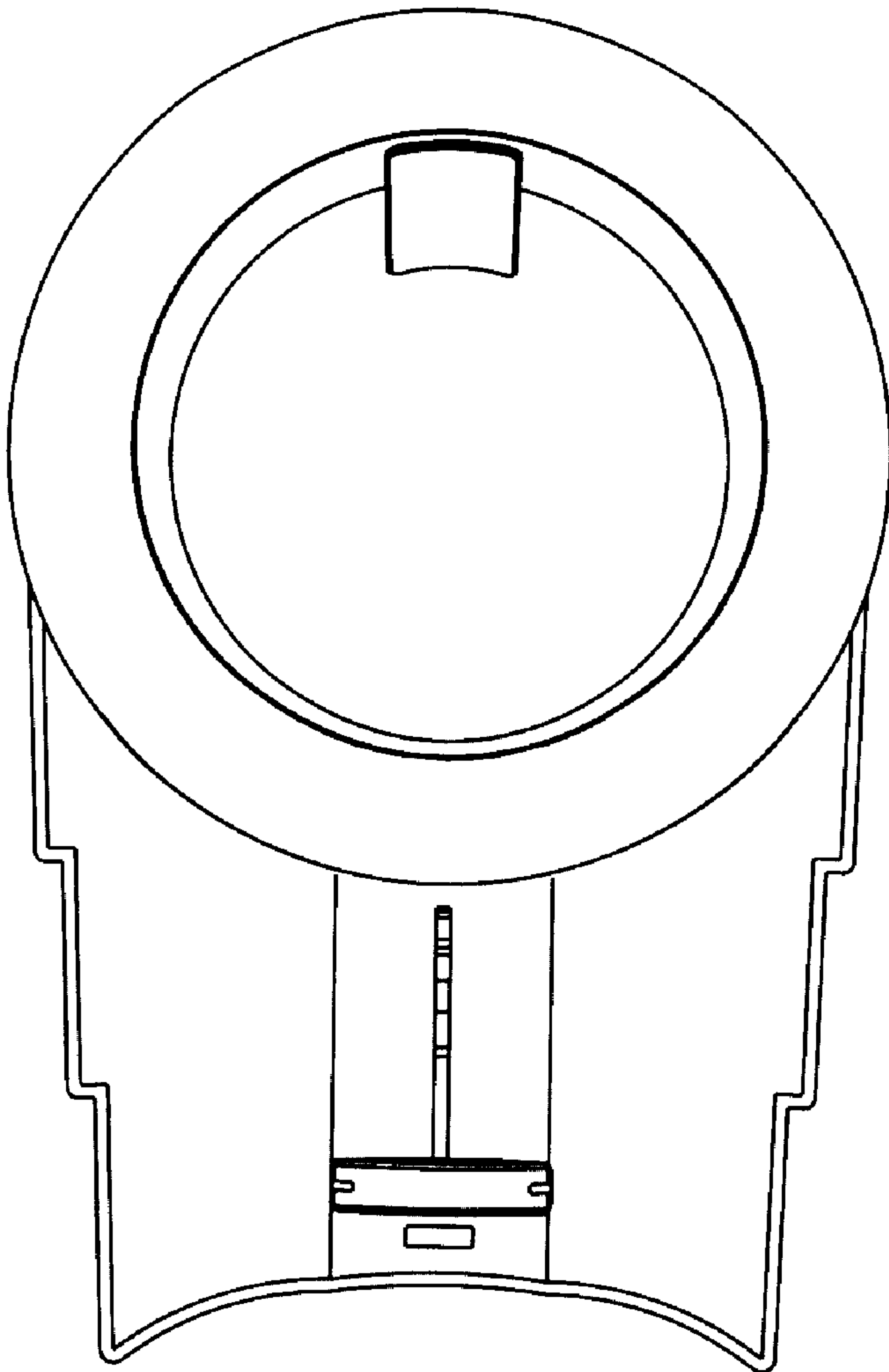


Figure 13

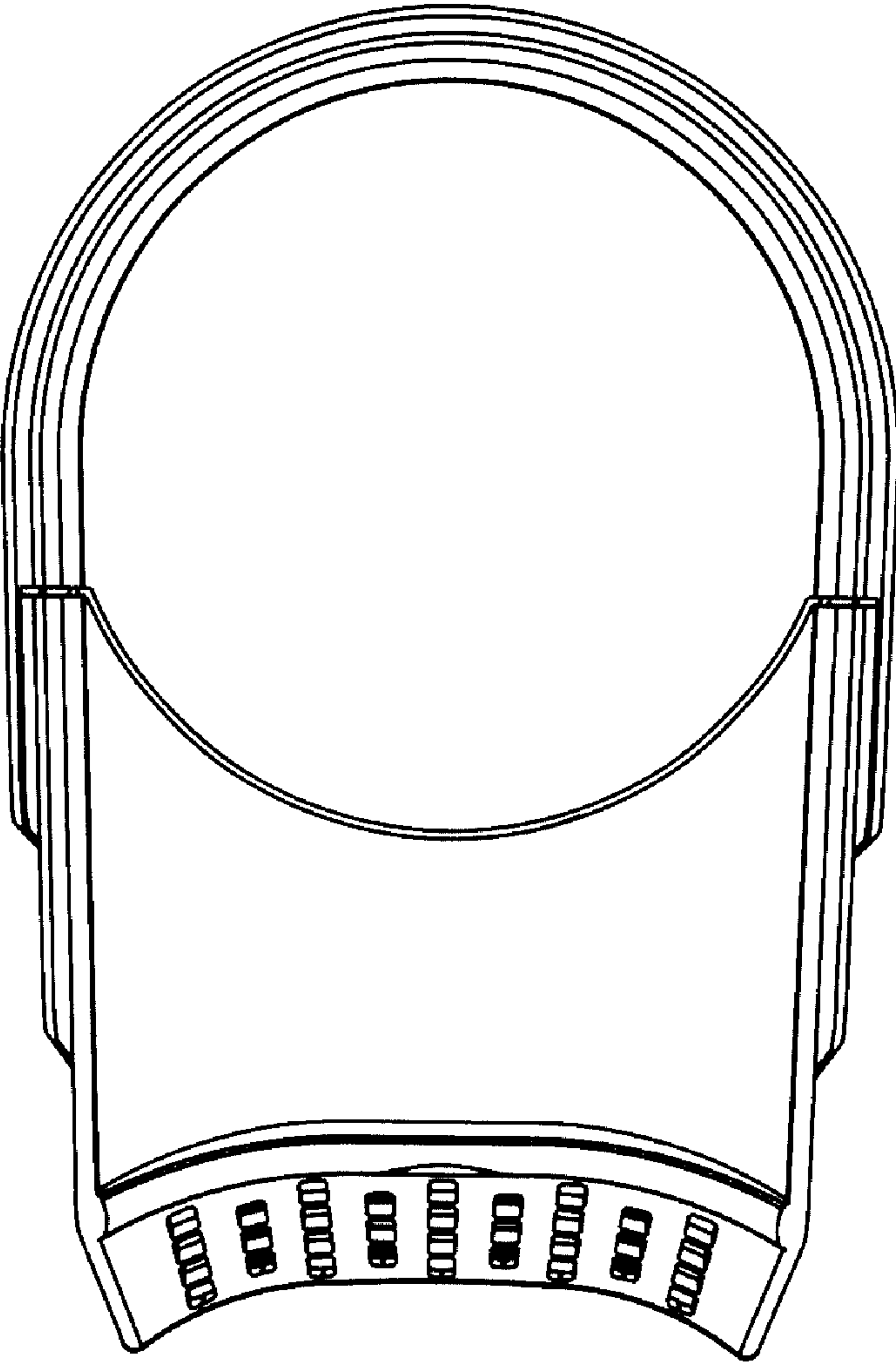


Figure 14

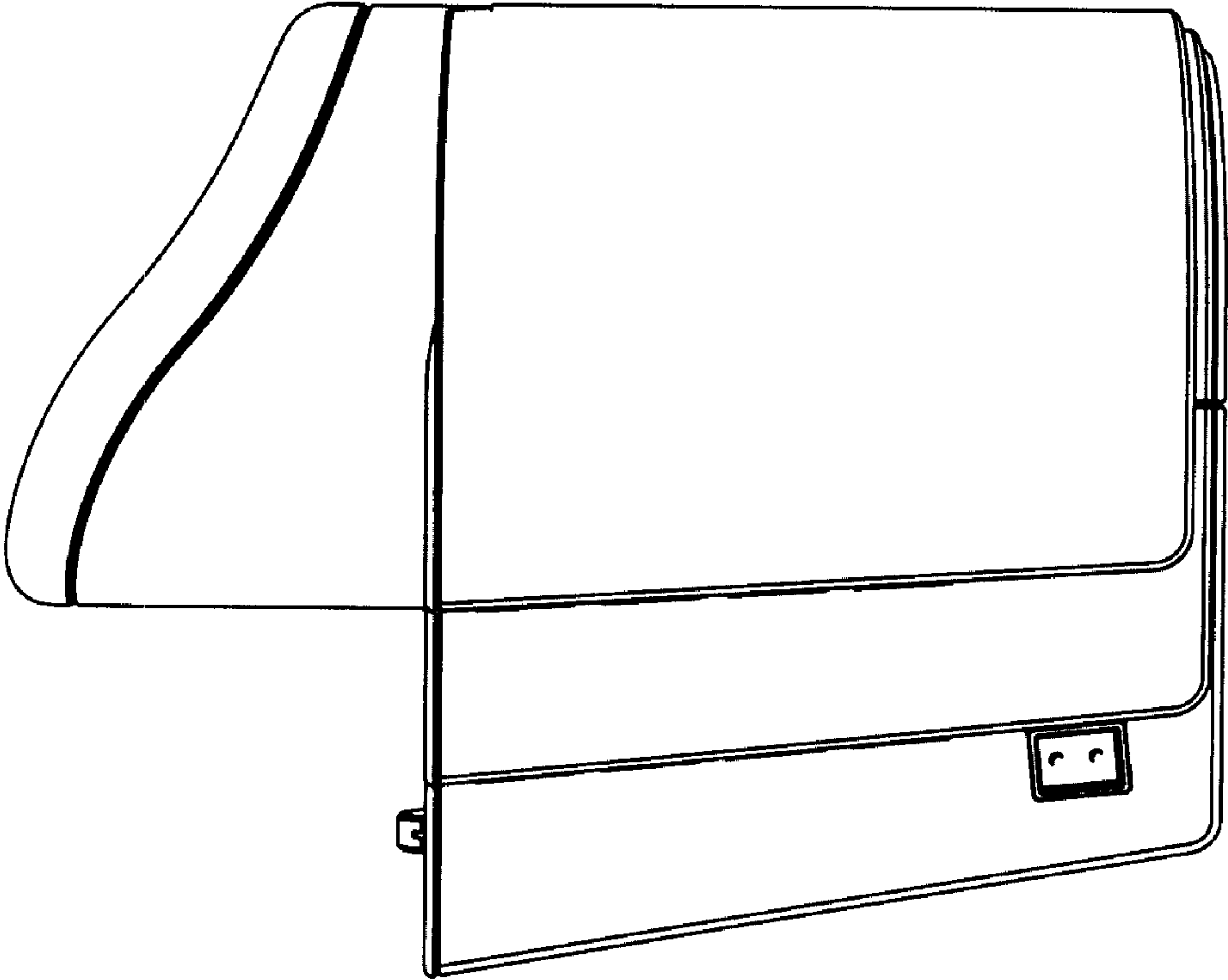


Figure 15

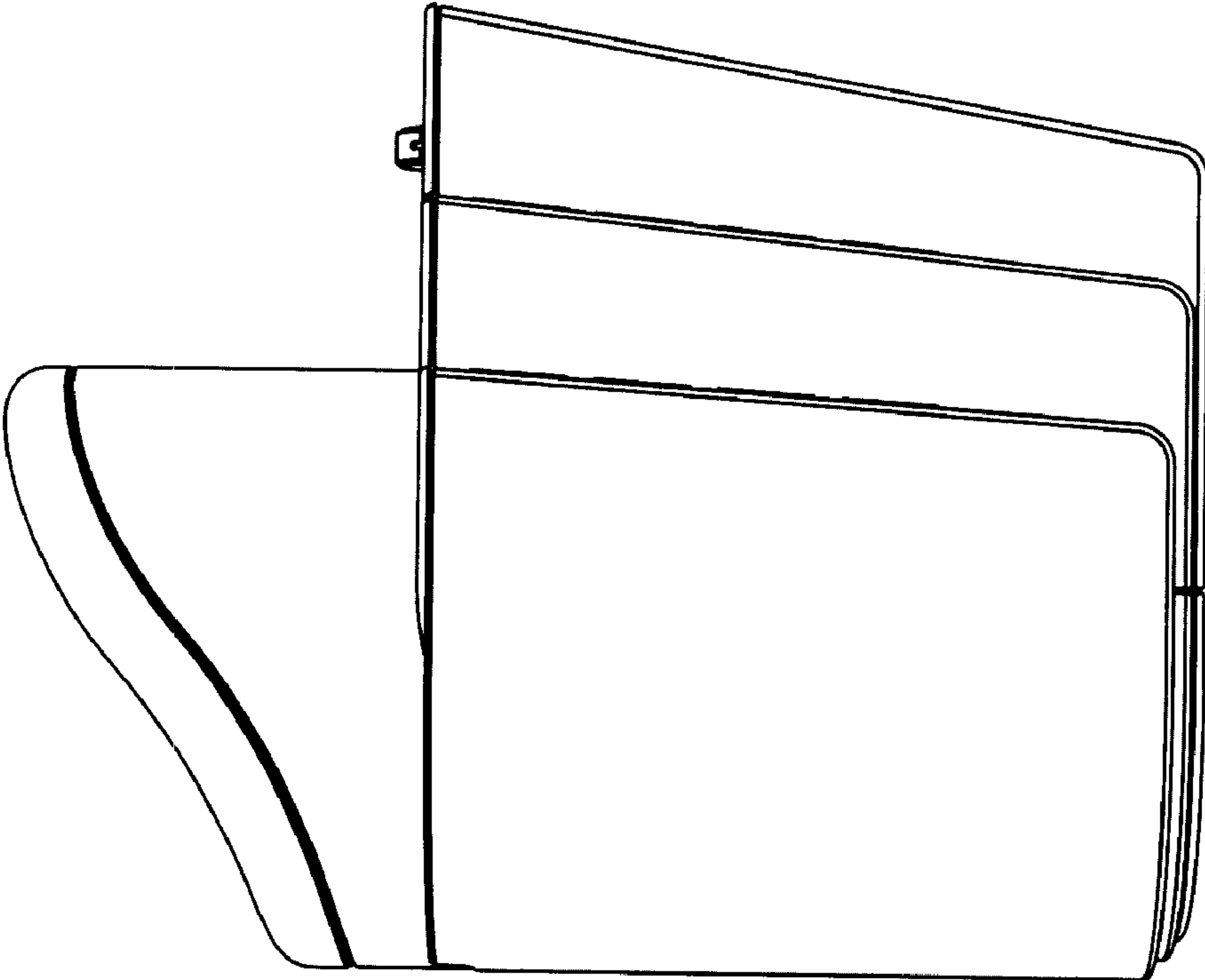


Figure 16

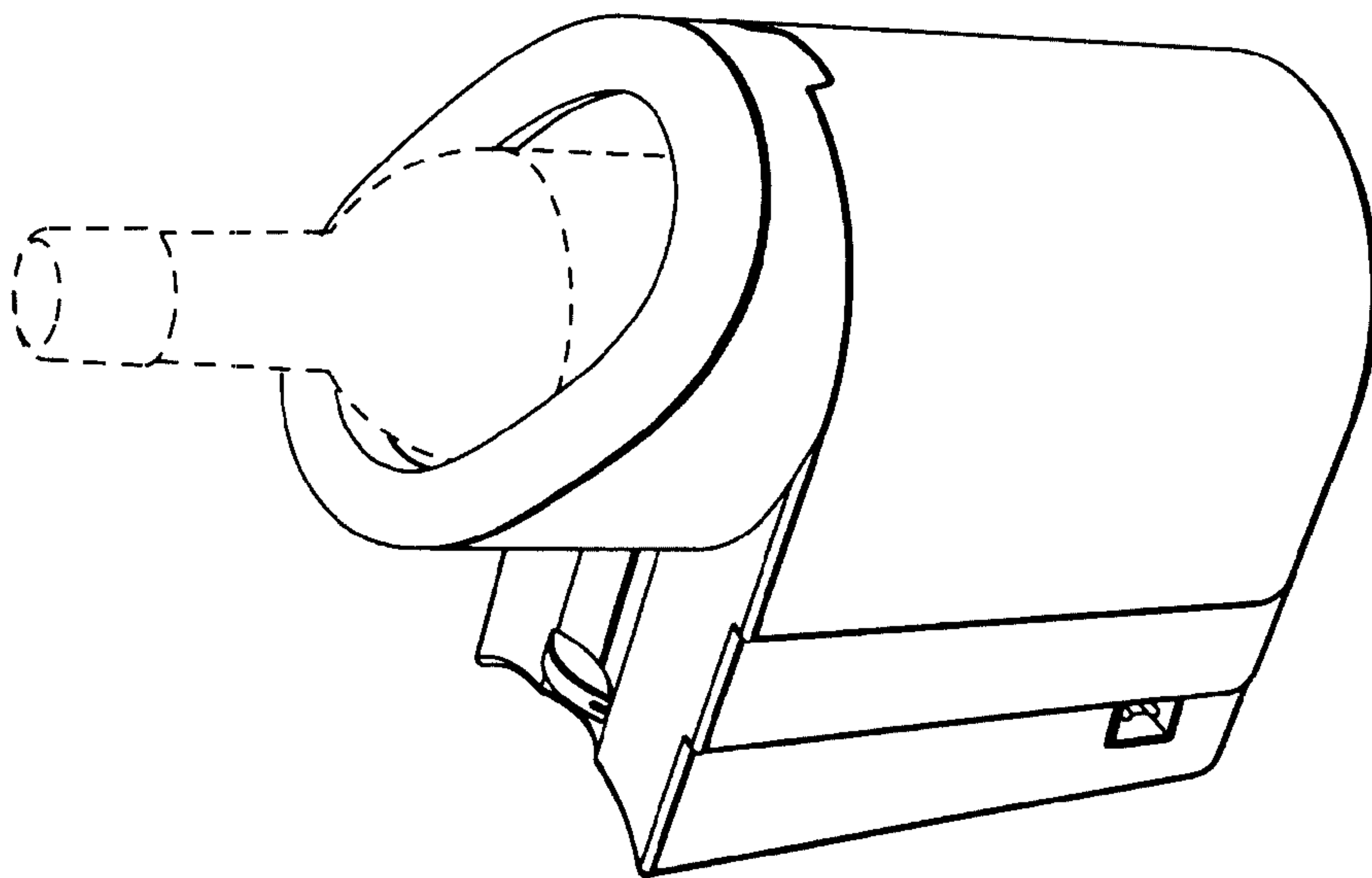


Figure 17

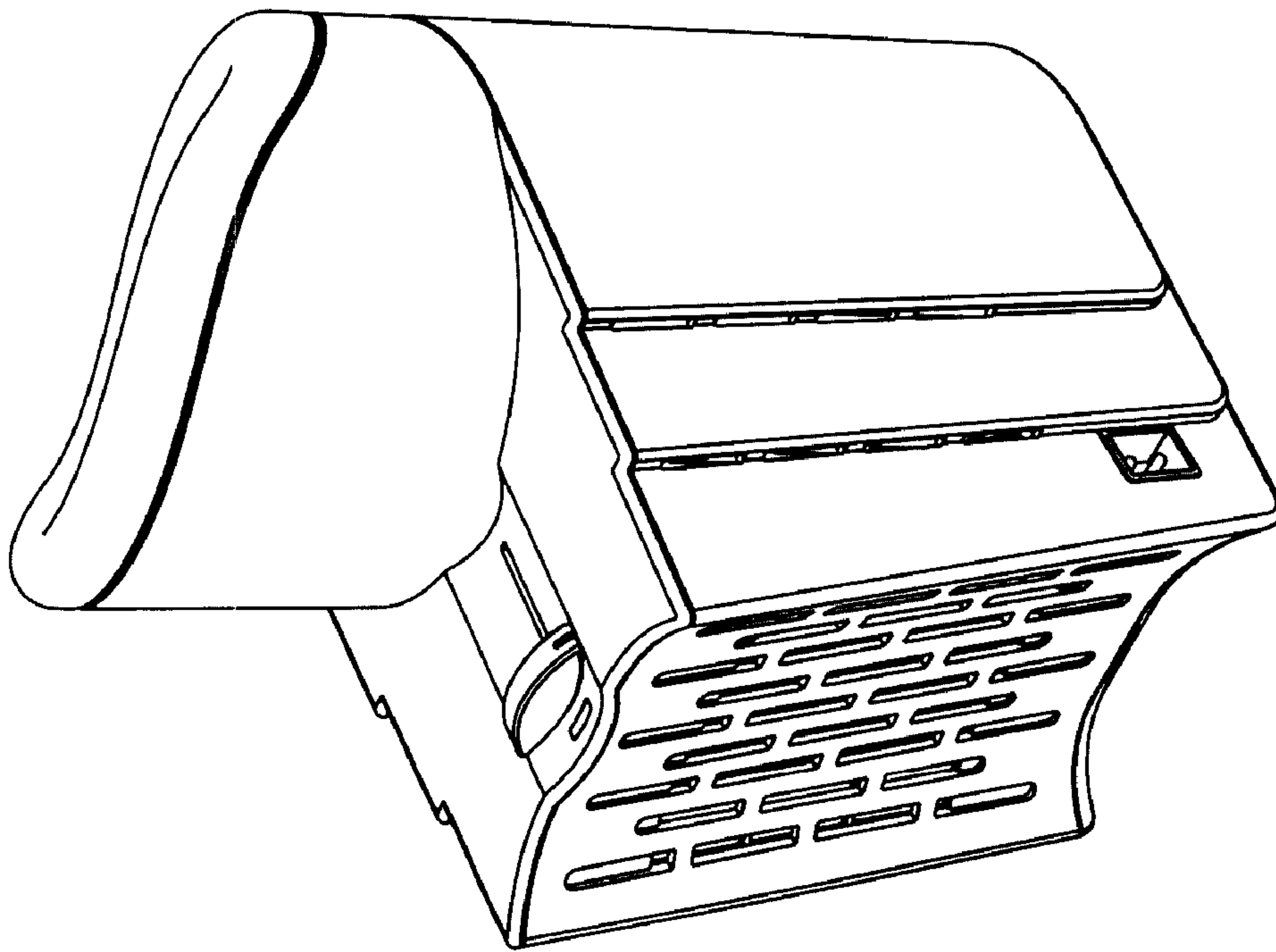


Figure 18