



US00D535148S

(12) **United States Design Patent**
Palm et al.

(10) **Patent No.:** **US D535,148 S**

(45) **Date of Patent:** **** Jan. 16, 2007**

- (54) **TEAKETTLE HANDLE**
- (75) Inventors: **William J. Palm**, Newtonville, MA (US); **Gregg Flender**, Bedford, MA (US); **James Wilson**, Norwood, MA (US); **John Costello**, Wellesley, MA (US)
- (73) Assignee: **WKI Holdings Company, Inc.**, Reston, VA (US)
- (**) Term: **14 Years**
- (21) Appl. No.: **29/210,093**
- (22) Filed: **Jul. 27, 2004**
- (51) **LOC (8) Cl.** **07-99**
- (52) **U.S. Cl.** **D7/397; D7/322; D7/395; D7/398; D8/308**
- (58) **Field of Classification Search** D7/393, D7/399, 395, 322, 321, 397, 398; D8/300, D8/302, 303, 307, 308; D23/250-254; 222/465.1, 222/473, 475, 756, 469, 472; 126/390.1, 126/385.1; 220/592.28, 263
See application file for complete search history.

- 2,666,556 A 1/1954 Ziskin et al.
- 2,670,107 A 2/1954 Welden
- 2,696,332 A 12/1954 Felver
- 2,748,997 A 6/1956 Richmond, Sr.
- D192,016 S * 1/1962 Crouheim D7/322
- 3,130,881 A 4/1964 Jepson
- 3,341,088 A 9/1967 Moynihan
- 3,469,747 A 9/1969 Richmond, Jr.
- D221,062 S * 7/1971 Huthsing D23/211.1
- 3,591,060 A 7/1971 Nakamura
- 3,848,563 A 11/1974 Brown
- 3,851,791 A 12/1974 Flider
- 3,954,203 A 5/1976 Jorgenson et al.
- 4,026,274 A 5/1977 Gutierrez
- 4,069,751 A 1/1978 Gronwick et al.
- 4,123,871 A 11/1978 Knott
- 4,141,473 A 2/1979 Hudson
- 4,155,349 A 5/1979 Hudson
- 4,189,016 A 2/1980 Nicol

(Continued)

FOREIGN PATENT DOCUMENTS

- GB 607046 of 1898
- GB 152461 of 1949

Primary Examiner—M. N. Pandozzi
(74) *Attorney, Agent, or Firm*—Wolf, Greenfield & Sacks, P.C.

(56) **References Cited**

U.S. PATENT DOCUMENTS

- 1,173,989 A 2/1916 Thalman et al.
- 1,486,802 A 3/1924 Royse
- 1,576,811 A 3/1926 Clark
- 1,646,154 A 10/1927 Kroll
- 1,658,645 A 2/1928 McGee
- 1,938,527 A 12/1933 Marelli
- 1,954,983 A 4/1934 Brown
- D95,354 S 4/1935 Kircher
- 2,014,582 A 9/1935 Putz
- 2,169,239 A 8/1939 Hacmac
- 2,276,917 A 3/1942 Bernhardt
- D148,348 S * 1/1948 Brannon D7/321
- 2,501,142 A 3/1950 Reichart
- 2,574,876 A 11/1951 Lebus
- 2,590,596 A 3/1952 Ziskin et al.
- 2,624,493 A 1/1953 Porter
- 2,638,253 A 5/1953 Mueller

(57) **CLAIM**

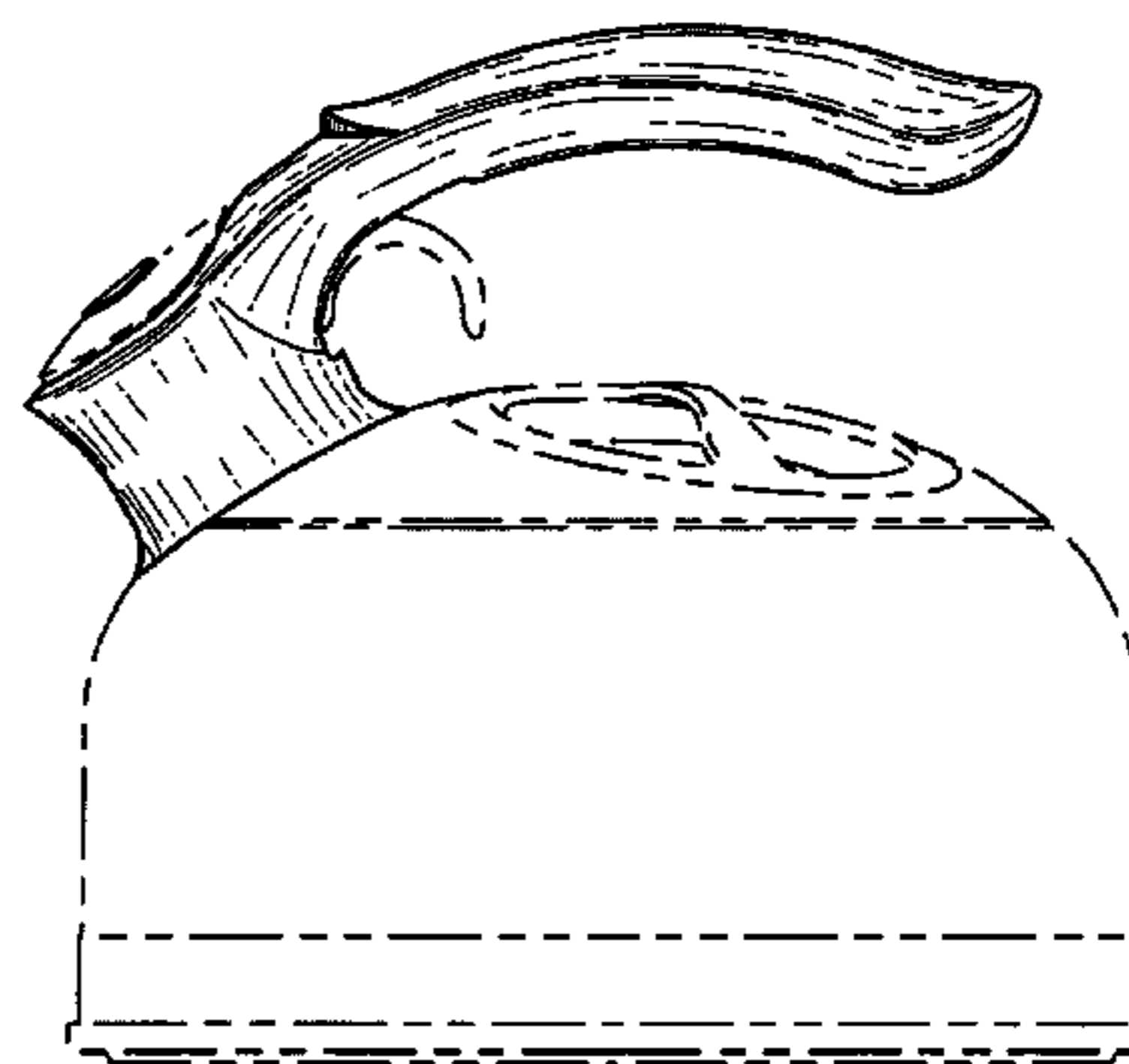
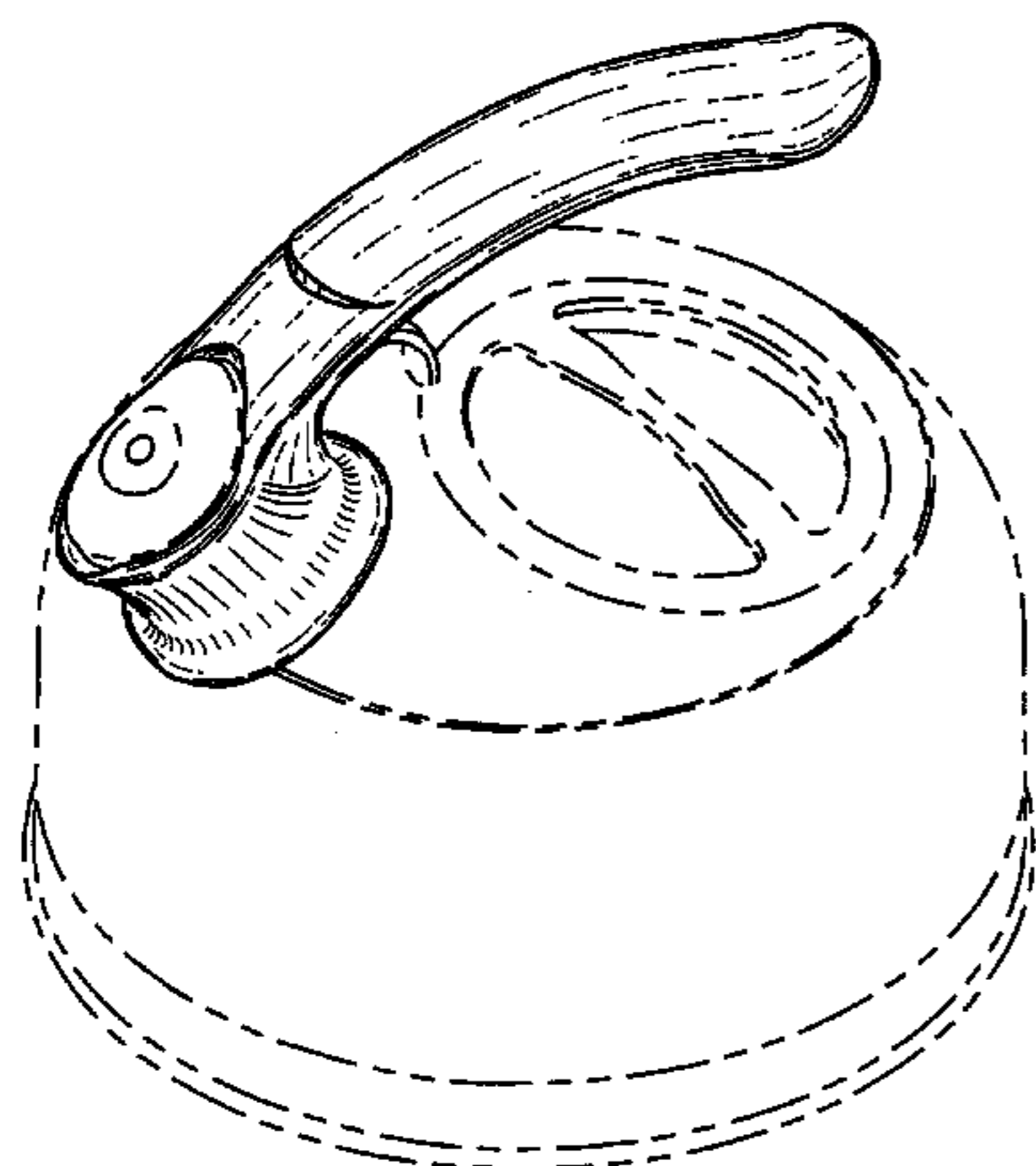
The ornamental design for a teakettle handle, as shown and described.

DESCRIPTION

FIG. 1 is a side, top perspective view of a teakettle handle showing our new design;
FIG. 2 is a top view thereof;
FIG. 3 is a front view thereof;
FIG. 4 is a left side view thereof, the right side being a mirror image thereof; and,
FIG. 5 is a rear view thereof.

The broken lines in the drawings are for illustrative purposes only and form no part of the claimed design.

1 Claim, 3 Drawing Sheets



US D535,148 S

Page 2

| U.S. PATENT DOCUMENTS | | | | | |
|-----------------------|-----------|-----------------------|-----------------|-----------|-----------------------------|
| | | | | | |
| 4,203,529 A | 5/1980 | Torassa et al. | 5,588,567 A | * 12/1996 | Yeh 222/475.1 |
| 4,261,328 A | 4/1981 | Kirk | 5,615,808 A | 4/1997 | Huang |
| 4,385,585 A | 5/1983 | Lebowitz | D380,337 S | * 7/1997 | Lien D7/322 |
| 4,430,556 A | 2/1984 | Inskip | D381,859 S | 8/1997 | Joergensen |
| 4,470,220 A | 9/1984 | Sudo | 5,653,362 A | 8/1997 | Patel |
| 4,491,251 A | 1/1985 | Pratz | 5,672,274 A | 9/1997 | Wheeler |
| 4,550,027 A | 10/1985 | Stone | 5,690,094 A | 11/1997 | Sheinfeld |
| 4,614,859 A | 9/1986 | Beckering | 5,693,244 A | 12/1997 | Pragt |
| 4,624,385 A | 11/1986 | Yano | 5,706,985 A | 1/1998 | Feer |
| D288,518 S | 3/1987 | Lebowitz | D393,584 S | * 4/1998 | D'Andrea et al. D8/308 |
| 4,648,535 A | 3/1987 | Zimmermann | D396,988 S | * 8/1998 | Lien D7/322 |
| 4,667,584 A | 5/1987 | Koyama | 5,793,020 A | 8/1998 | O'Neill |
| 4,735,191 A | 4/1988 | Boursse | D400,709 S | 11/1998 | Chang |
| 4,744,183 A | 5/1988 | Kruger | D402,154 S | 12/1998 | Joergensen |
| 4,759,274 A | 7/1988 | Schmidt | 5,873,476 A | 2/1999 | Takahashi |
| 4,768,989 A | 9/1988 | Moomaw | 5,875,941 A | 3/1999 | Hsu |
| 4,773,563 A | 9/1988 | Taylor | 5,881,484 A | 3/1999 | Carroll |
| 4,813,368 A | 3/1989 | Hutter | 5,921,425 A | 7/1999 | Markey |
| D302,511 S | 8/1989 | Porcelli | 5,944,224 A | 8/1999 | Hodge |
| 4,857,897 A | 8/1989 | Chen | 5,947,343 A | 9/1999 | Horstmann |
| 4,873,918 A | 10/1989 | Goldman | 6,006,959 A | * 12/1999 | Naden et al. 222/469 |
| 4,921,146 A | 5/1990 | Salzmann | 6,050,446 A | 4/2000 | Lei |
| D308,314 S | 6/1990 | Ancona | D425,400 S | 5/2000 | Geringer |
| D308,315 S | 6/1990 | Ancona | 6,095,366 A | 8/2000 | Sova |
| D308,810 S | 6/1990 | Murawski | 6,216,903 B1 | 4/2001 | Hirose |
| D311,839 S | 11/1990 | Hutter | D445,294 S | * 7/2001 | Ryan et al. D7/322 |
| D314,129 S | * 1/1991 | Zanini D8/301 | D448,963 S | * 10/2001 | Shim D7/322 |
| 5,037,015 A | 8/1991 | Collins | 6,298,773 B1 | 10/2001 | Cali |
| 5,065,884 A | 11/1991 | Naritomi | 6,352,166 B1 | 3/2002 | Copeland |
| D322,734 S | * 12/1991 | Solomon D7/322 | 6,377,750 B1 | 4/2002 | Scott |
| 5,072,858 A | 12/1991 | Brashier | 6,390,014 B1 | 5/2002 | Ghidini |
| 5,135,128 A | 8/1992 | Kuhn | 6,398,083 B1 | 6/2002 | Nybakke |
| 5,171,952 A | 12/1992 | Waligorski | D459,937 S | * 7/2002 | Thurlow et al. D7/322 |
| D336,006 S | 6/1993 | Lebowitz | 6,474,493 B1 | 11/2002 | Lacout |
| D342,640 S | 12/1993 | Lebowitz | 6,520,380 B1 | 2/2003 | Veltrop |
| 5,294,014 A | 3/1994 | Wyatt | 6,540,120 B1 | * 4/2003 | Lebowitz 222/471 |
| D348,821 S | * 7/1994 | Carsello D8/308 | D478,243 S | * 8/2003 | Lebowitz D7/322 |
| D352,419 S | * 11/1994 | Lin D7/322 | D478,768 S | 8/2003 | Belton |
| 5,413,257 A | 5/1995 | Amberger | D483,600 S | 12/2003 | Thurlow |
| D360,101 S | 7/1995 | Lee | D485,332 S | * 1/2004 | Blomstrom D23/252 |
| D361,489 S | * 8/1995 | Carsello D8/308 | D511,648 S | * 11/2005 | Henderson D7/397 |
| 5,490,616 A | 2/1996 | Stowell | D521,354 S | * 5/2006 | Gilbert et al. D8/308 |
| D373,499 S | 9/1996 | Piret | D523,531 S | * 6/2006 | Fritz D23/252 |
| 5,582,316 A | 12/1996 | Masayoshi | 2003/0019889 A1 | 1/2003 | Lebowitz |

* cited by examiner

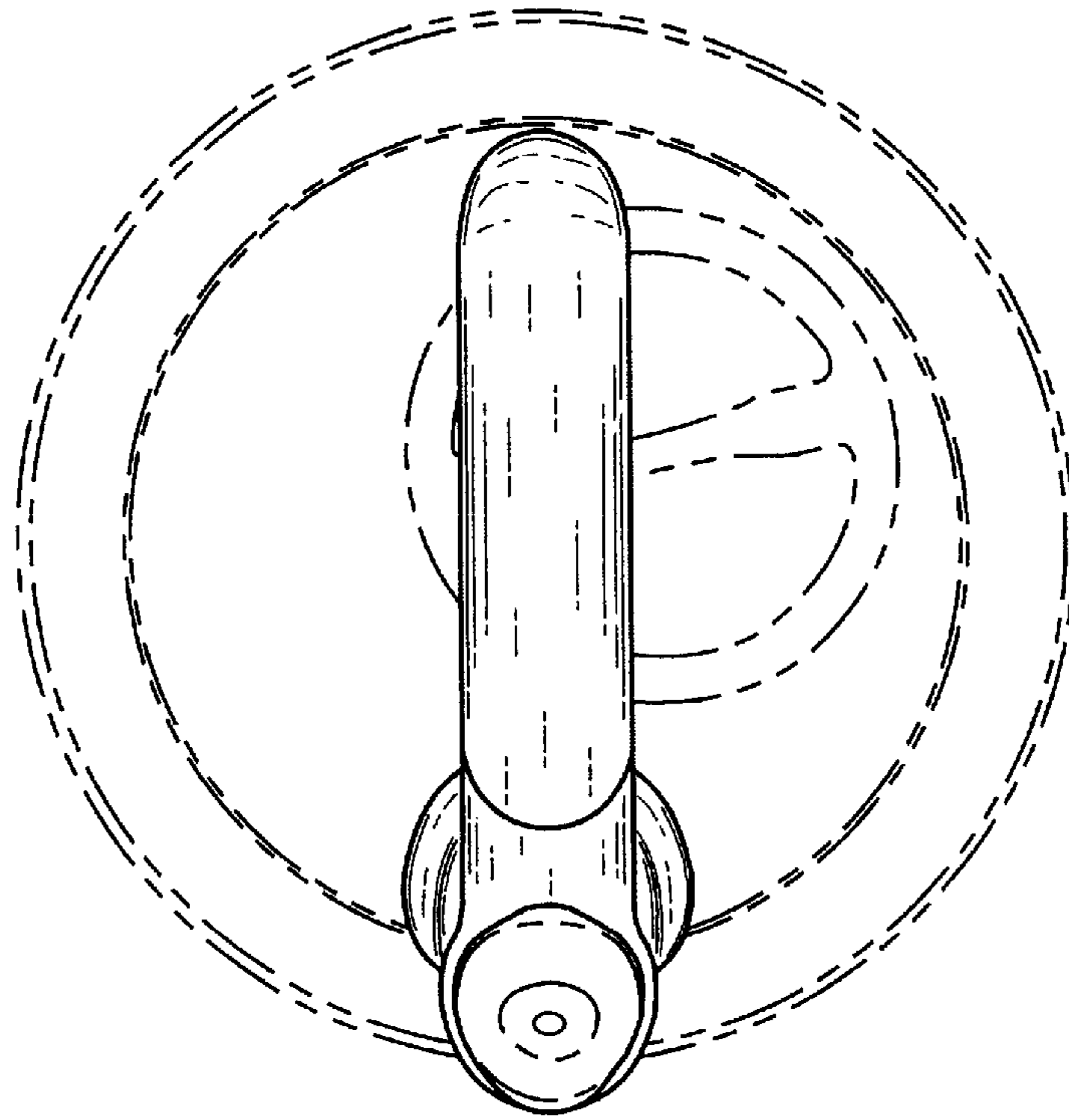


FIG. 2

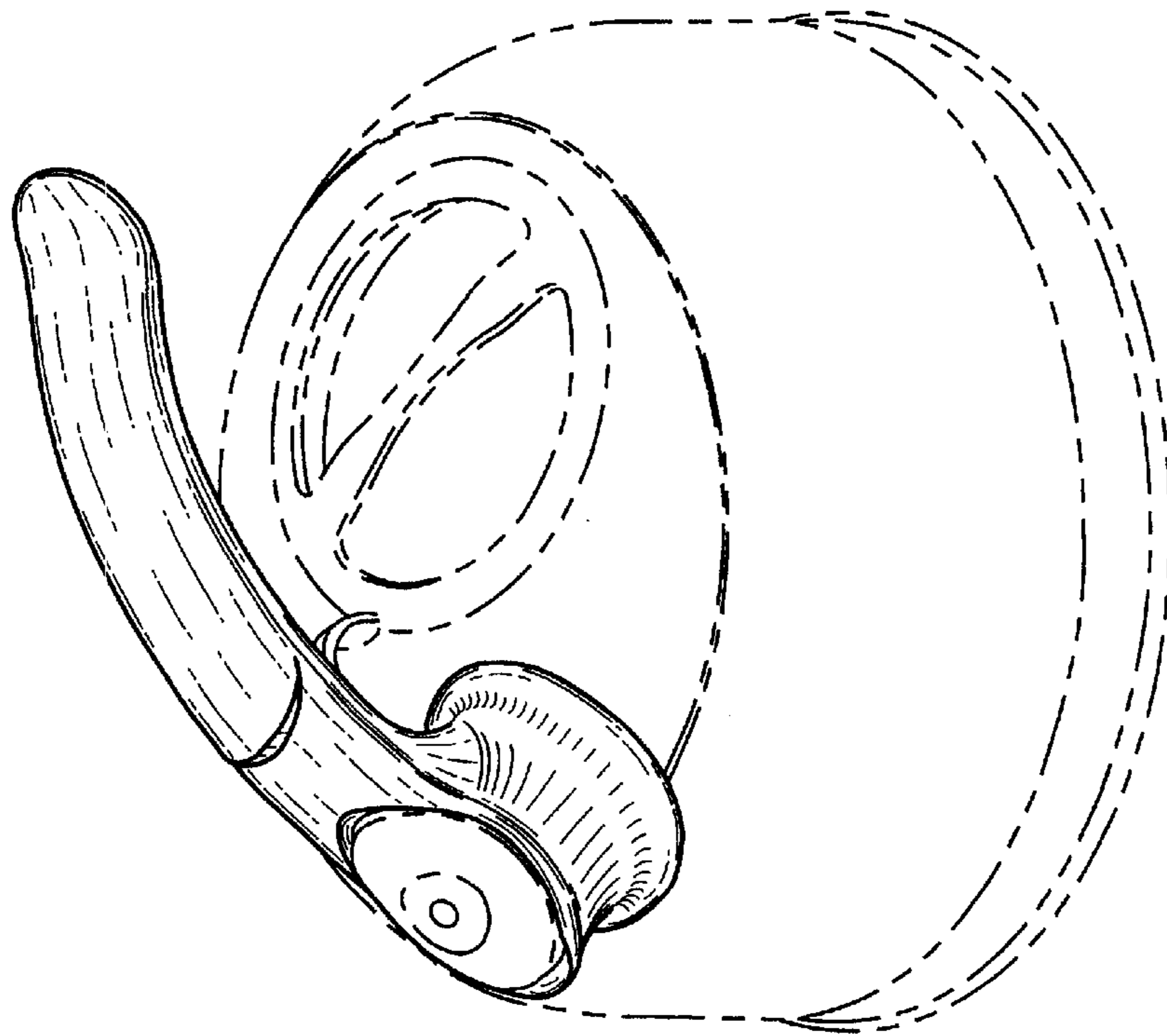


FIG. 1

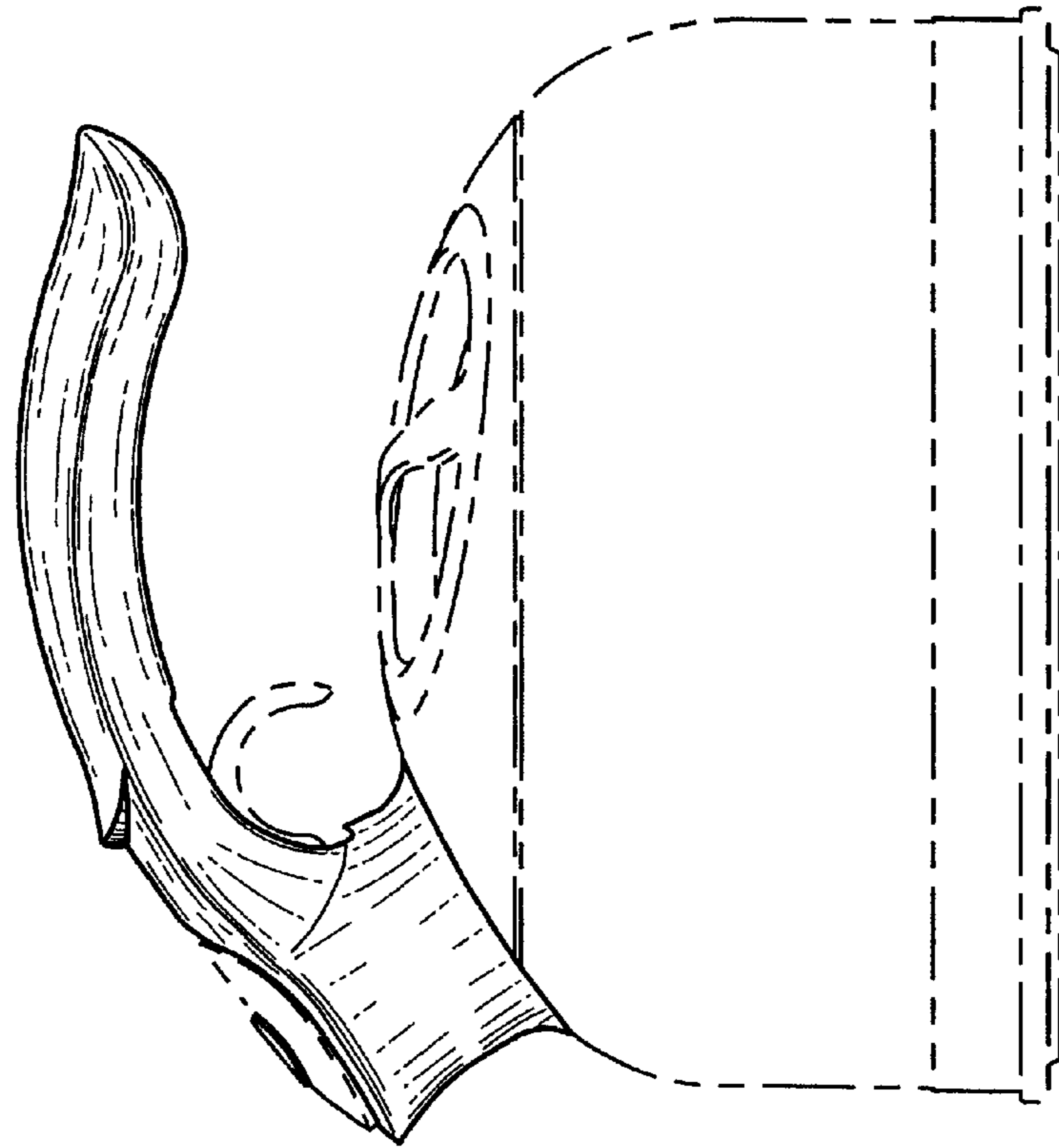


FIG. 3

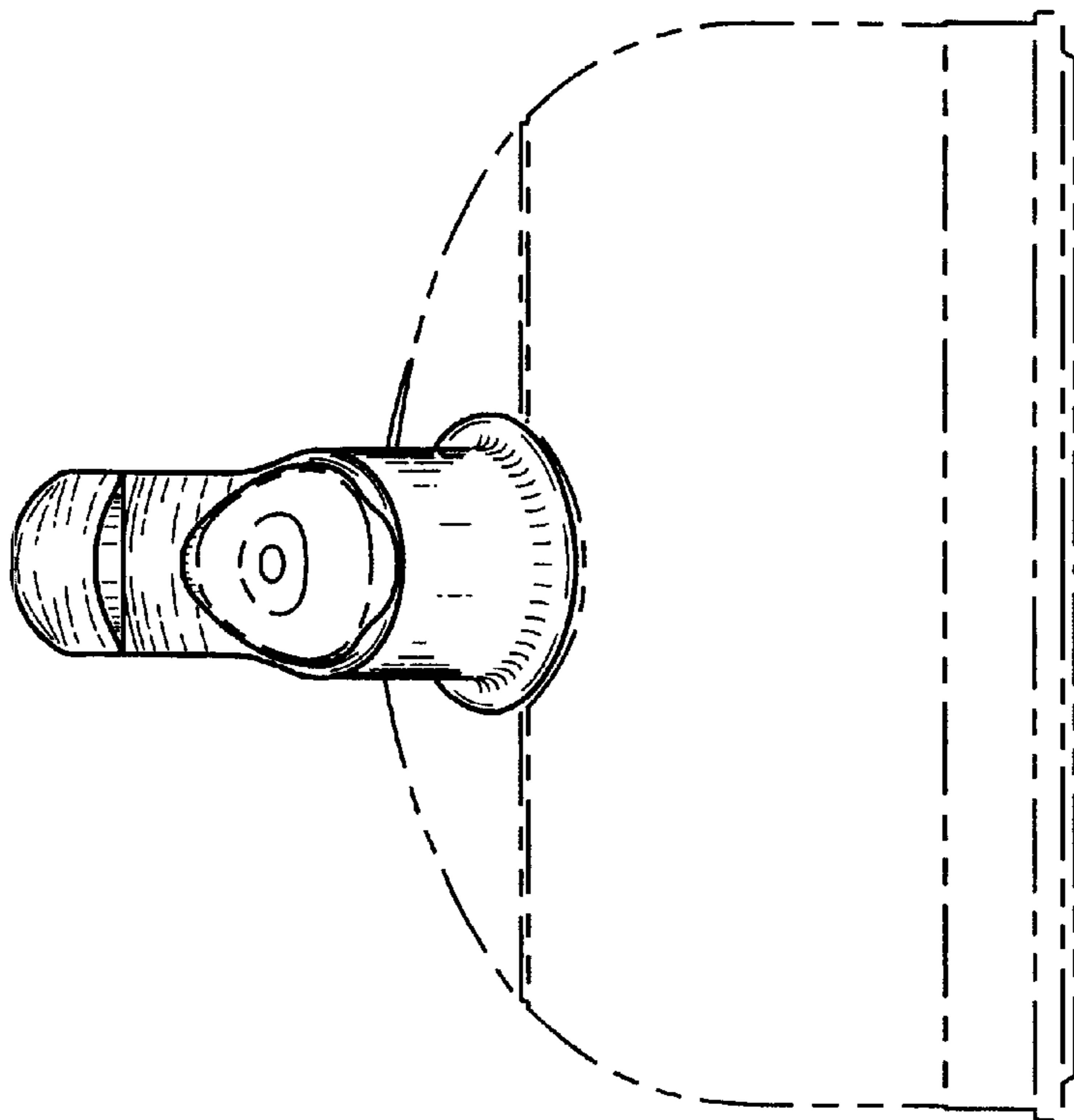


FIG. 4

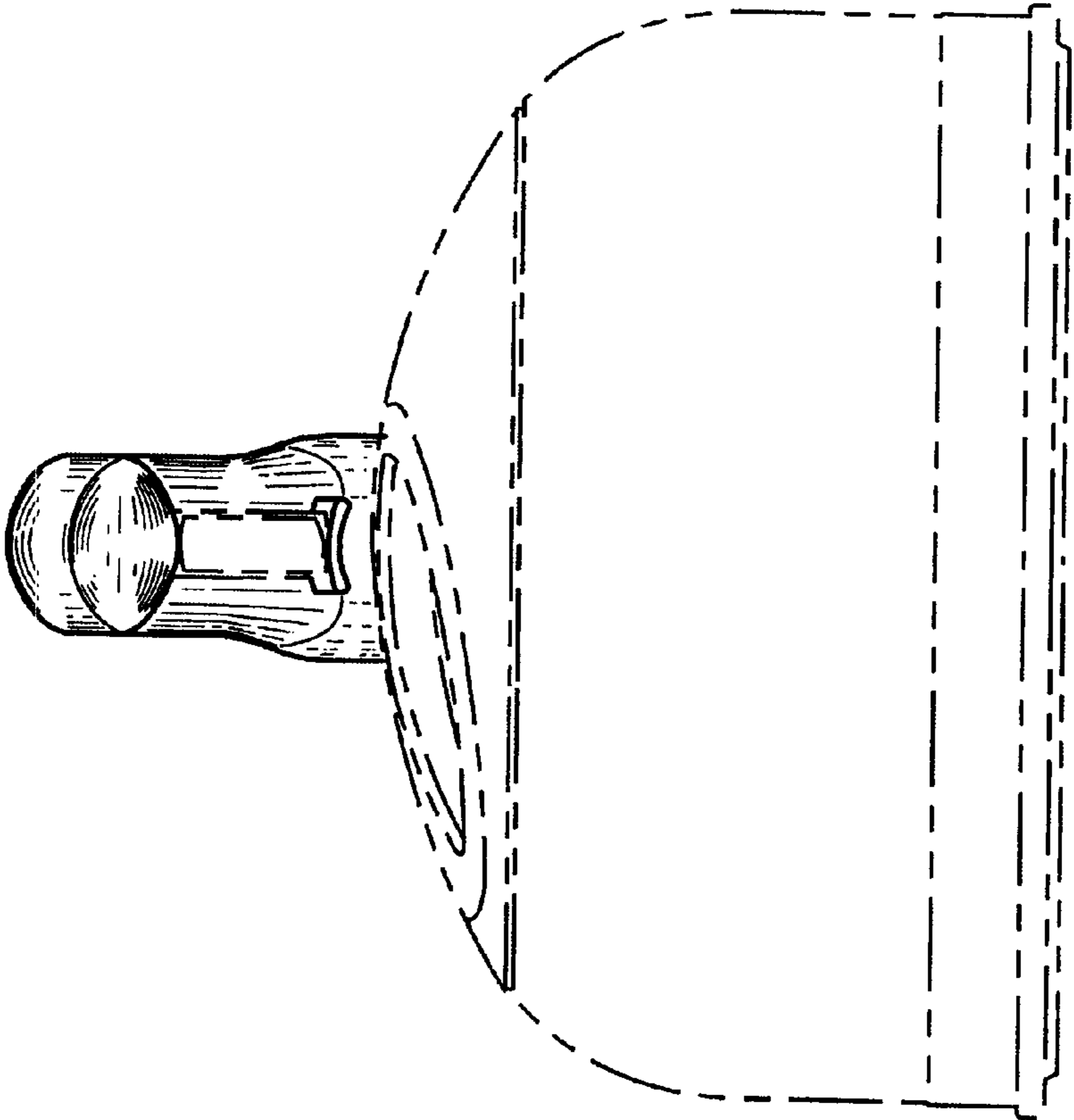


FIG. 5