



US00D535144S

(12) **United States Design Patent**
George et al.

(10) **Patent No.:** **US D535,144 S**
(45) **Date of Patent:** **** Jan. 16, 2007**

(54) **LID**
(75) Inventors: **Jeffrey W. George**, Cary, IL (US);
James Maki, McHenry, IL (US); **Peter Clarke**,
Fairfield, CT (US); **John K. Clay**, Milford, CT (US)

(73) Assignee: **The Quaker Oats Company**, Chicago, IL (US)

(**) Term: **14 Years**

(21) Appl. No.: **29/242,149**

(22) Filed: **Nov. 3, 2005**

(51) **LOC (8) Cl.** **07-02**

(52) **U.S. Cl.** **D7/392.1**

(58) **Field of Classification Search** D7/317,
D7/392, 392.1, 396.2, 510, 511, 538, 629;
D9/435, 440, 447, 449, 454, 503, 504; 215/211,
215/200, 224; 220/700, 701, 703, 719; 222/544,
222/545

See application file for complete search history.

(56) **References Cited**

U.S. PATENT DOCUMENTS

D288,667 S * 3/1987 Miner D9/443
D374,590 S * 10/1996 Ahern, Jr. D7/392.1
5,579,961 A * 12/1996 Zimmerman 222/545
D397,613 S * 9/1998 Haley D9/448
D411,408 S * 6/1999 Ahern et al. D7/392
D417,583 S * 12/1999 Demore D7/392.1

D418,363 S * 1/2000 Barnes et al. D7/392
D418,364 S * 1/2000 Demore D7/392.1
6,382,476 B1 * 5/2002 Randall et al. 222/545
D476,892 S * 7/2003 Martin et al. D9/449
D522,362 S * 6/2006 Liebe D9/449

* cited by examiner

Primary Examiner—Holly H. Baynham

Assistant Examiner—Cynthia M. Chin

(74) *Attorney, Agent, or Firm*—Goodwin Procter LLP; Lars Johnson; Carolyn Sloane

(57) **CLAIM**

The ornamental design for a lid, as shown.

DESCRIPTION

FIG. 1 is a front perspective view of a lid showing our new design;

FIG. 2 is a side elevational view thereof;

FIG. 3 is a front elevational view thereof;

FIG. 4 is a rear elevational view thereof;

FIG. 5 is a top view thereof;

FIG. 6 is a bottom view thereof;

FIG. 7 is a front perspective view of another embodiment of the lid showing our new design;

FIG. 8 is a side elevational view thereof;

FIG. 9 is a front elevational view thereof;

FIG. 10 is a rear elevational view thereof;

FIG. 11 is a top view thereof; and,

FIG. 12 is a bottom plan view thereof.

1 Claim, 4 Drawing Sheets

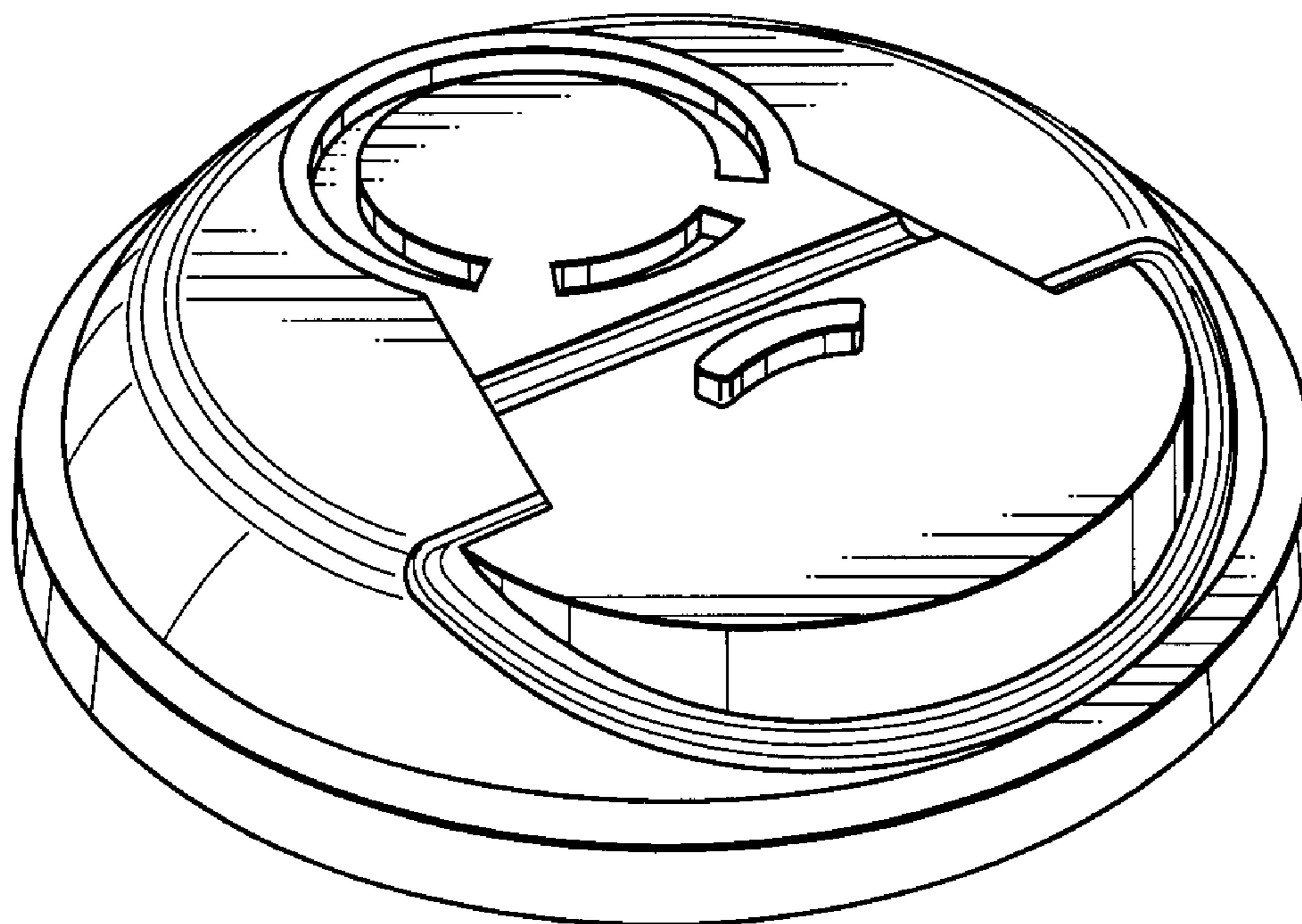


Fig. 1

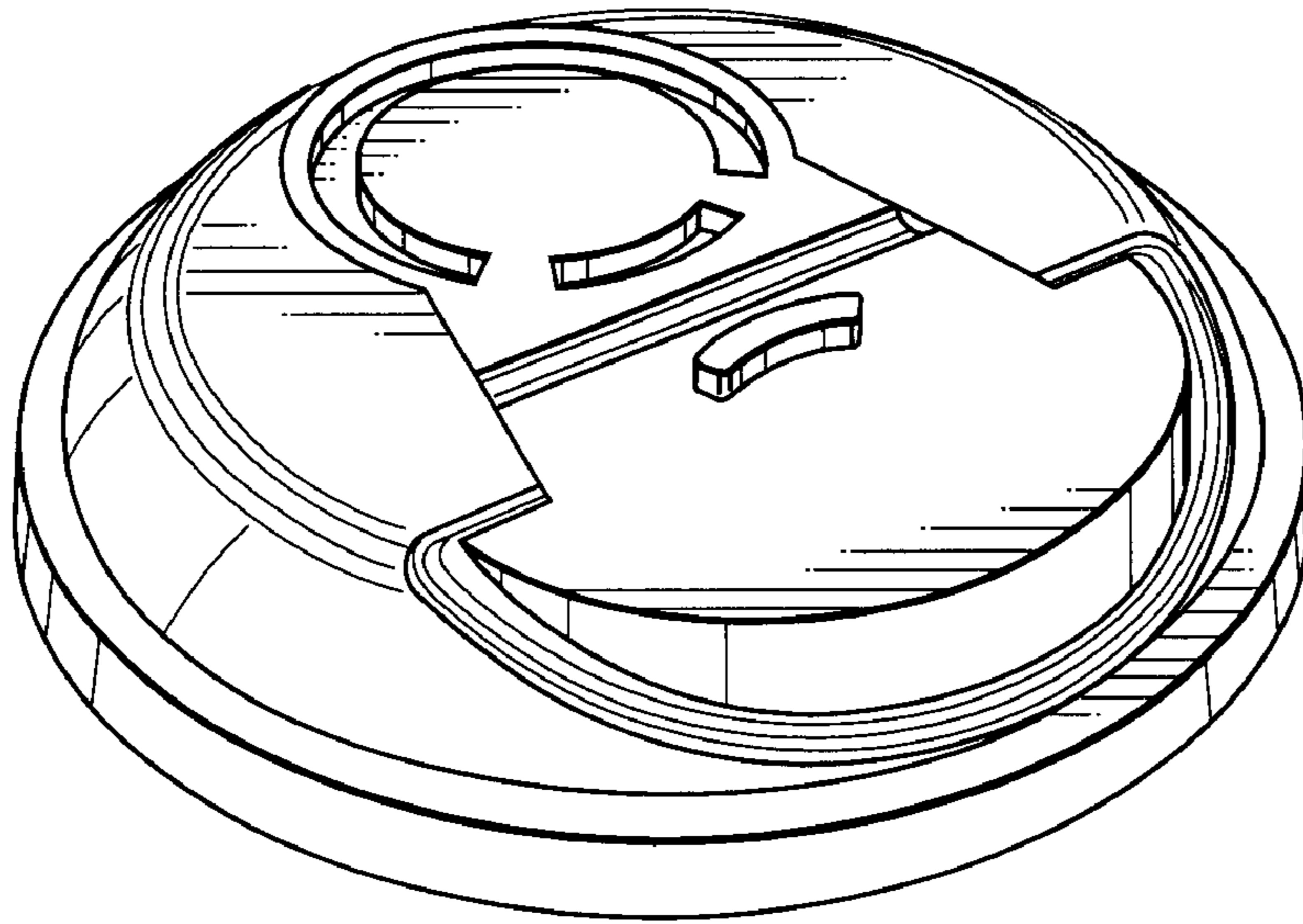


Fig. 2

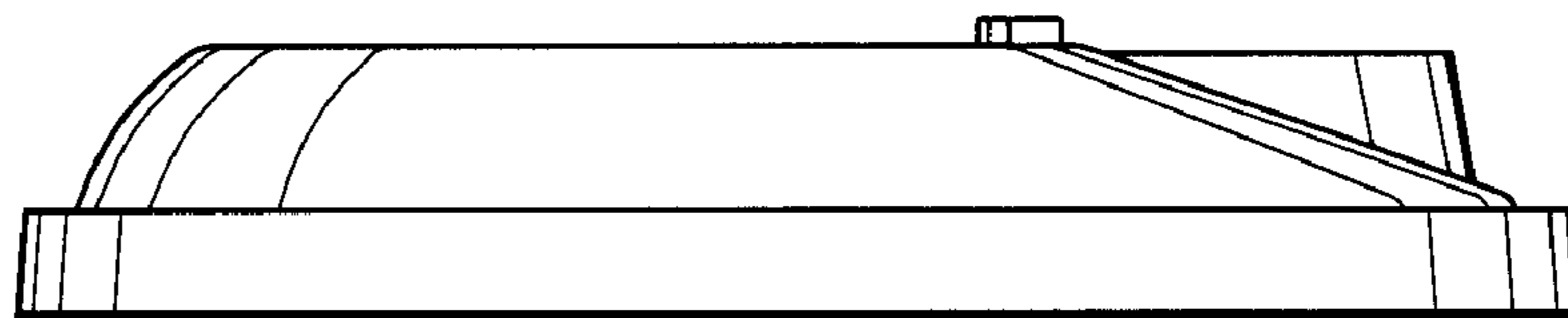


Fig. 3

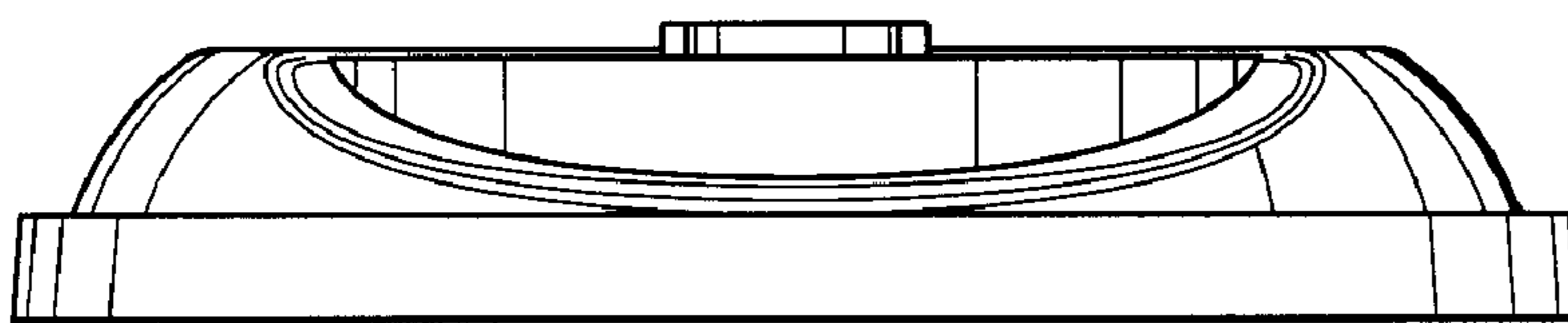


Fig. 4

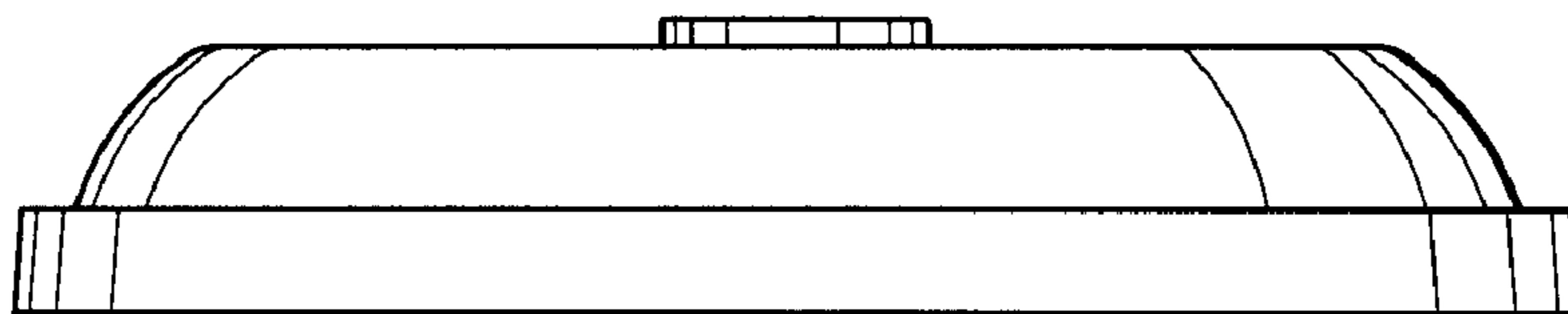


Fig. 5

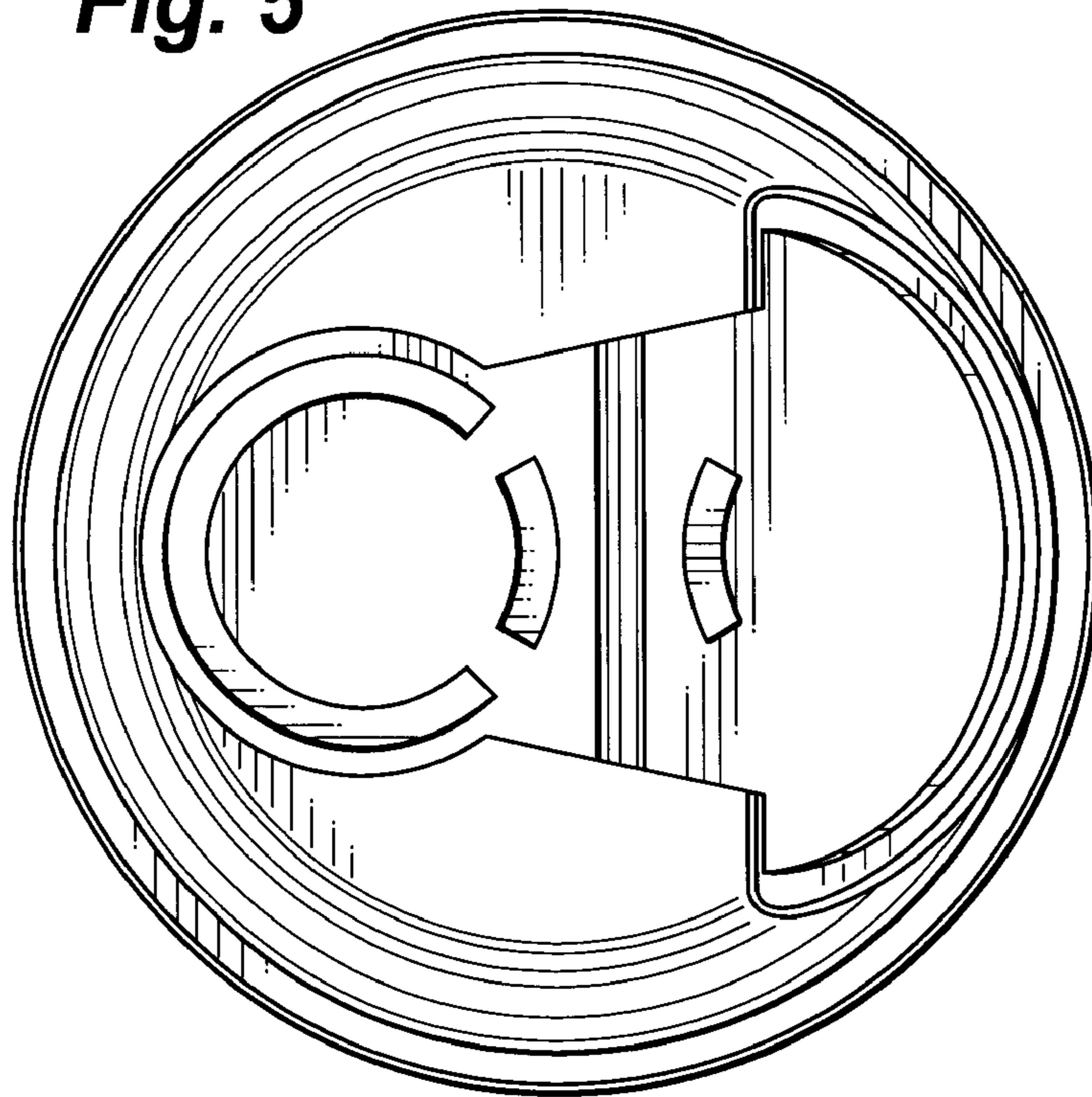


Fig. 6

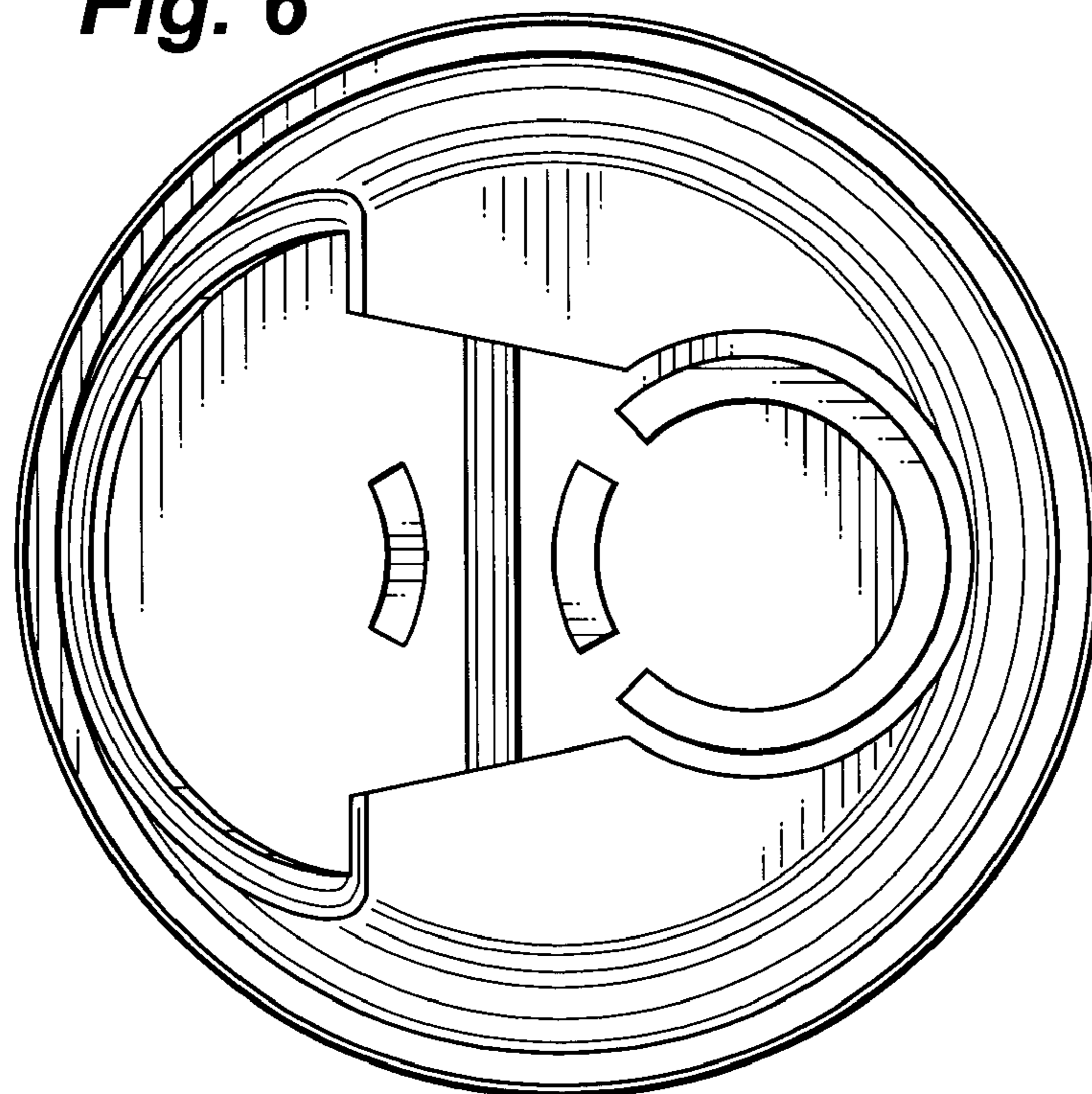


Fig. 7

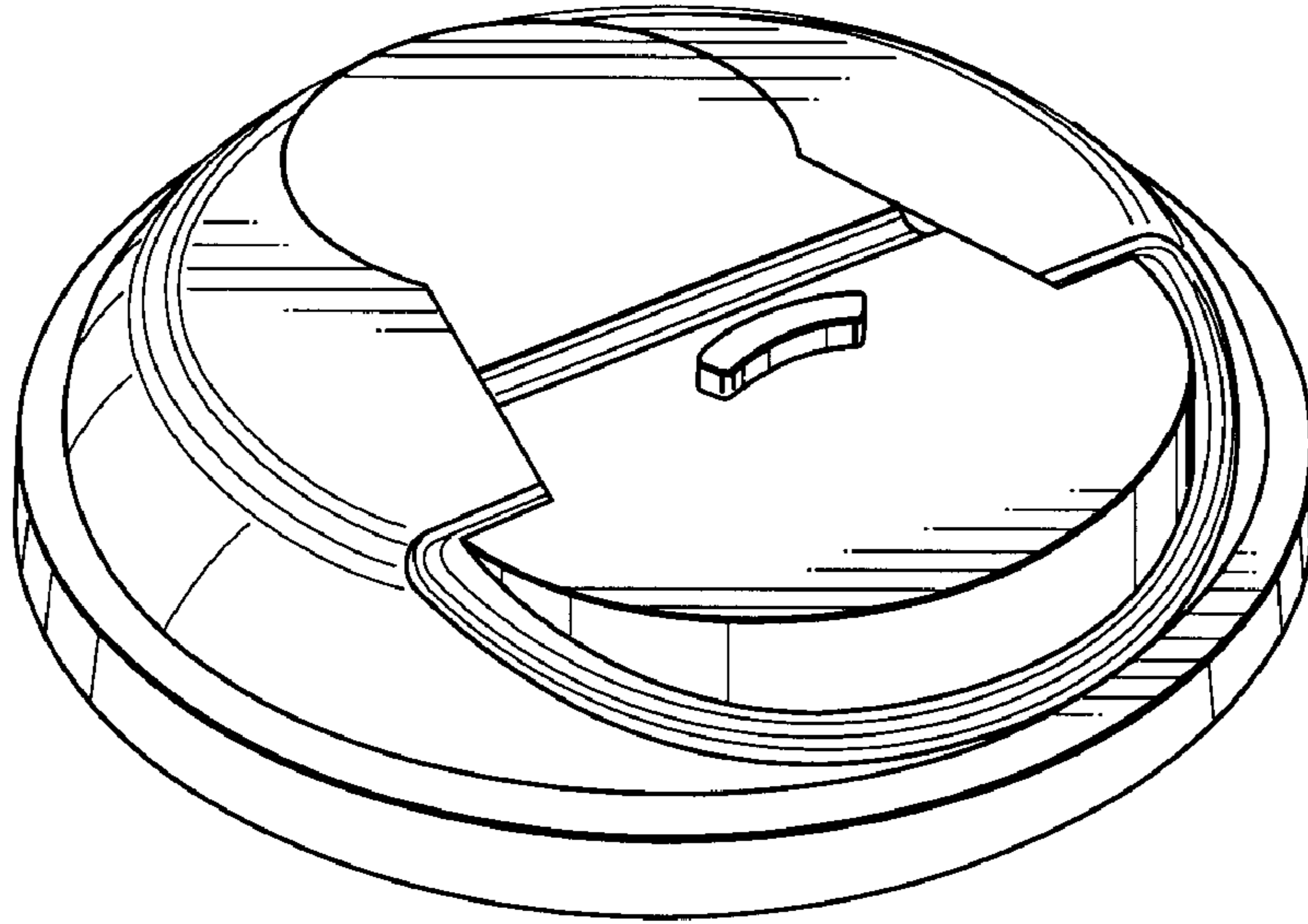


Fig. 8

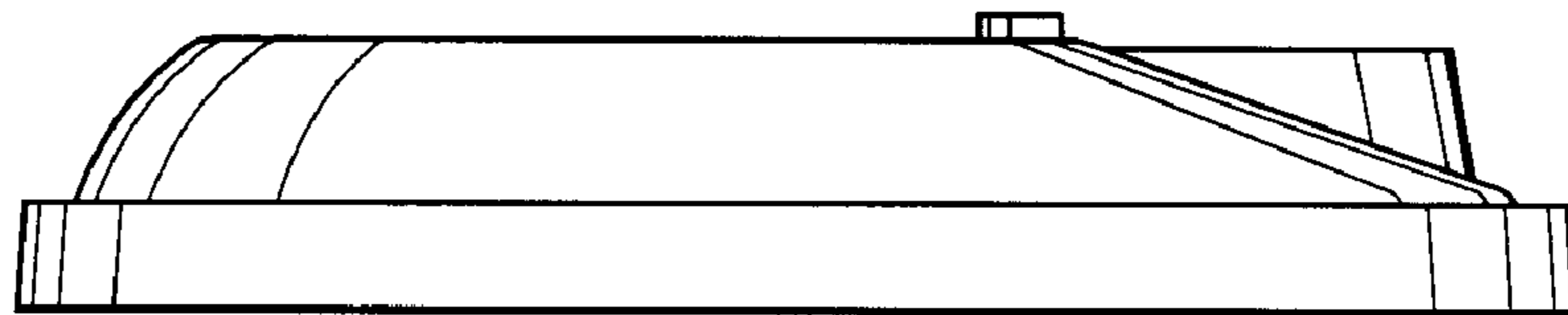


Fig. 9

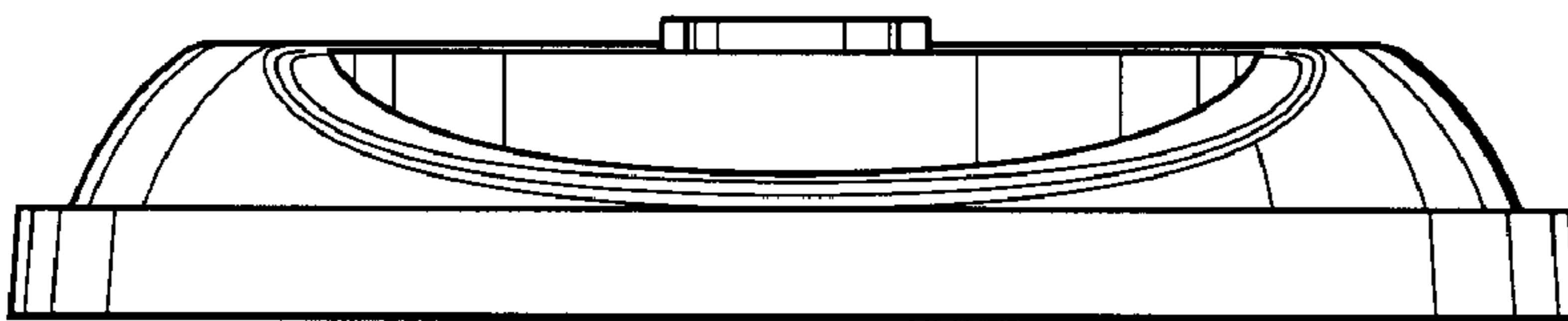


Fig. 10

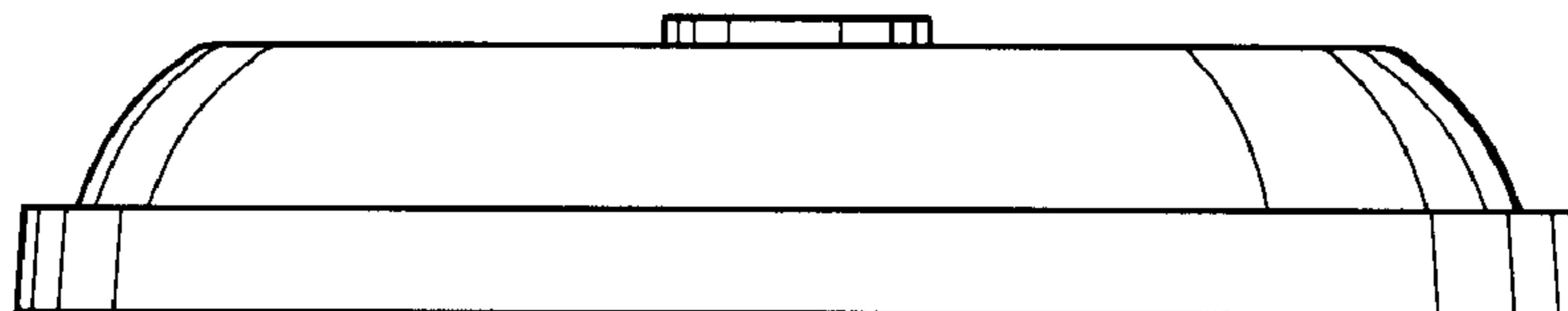


Fig. 11

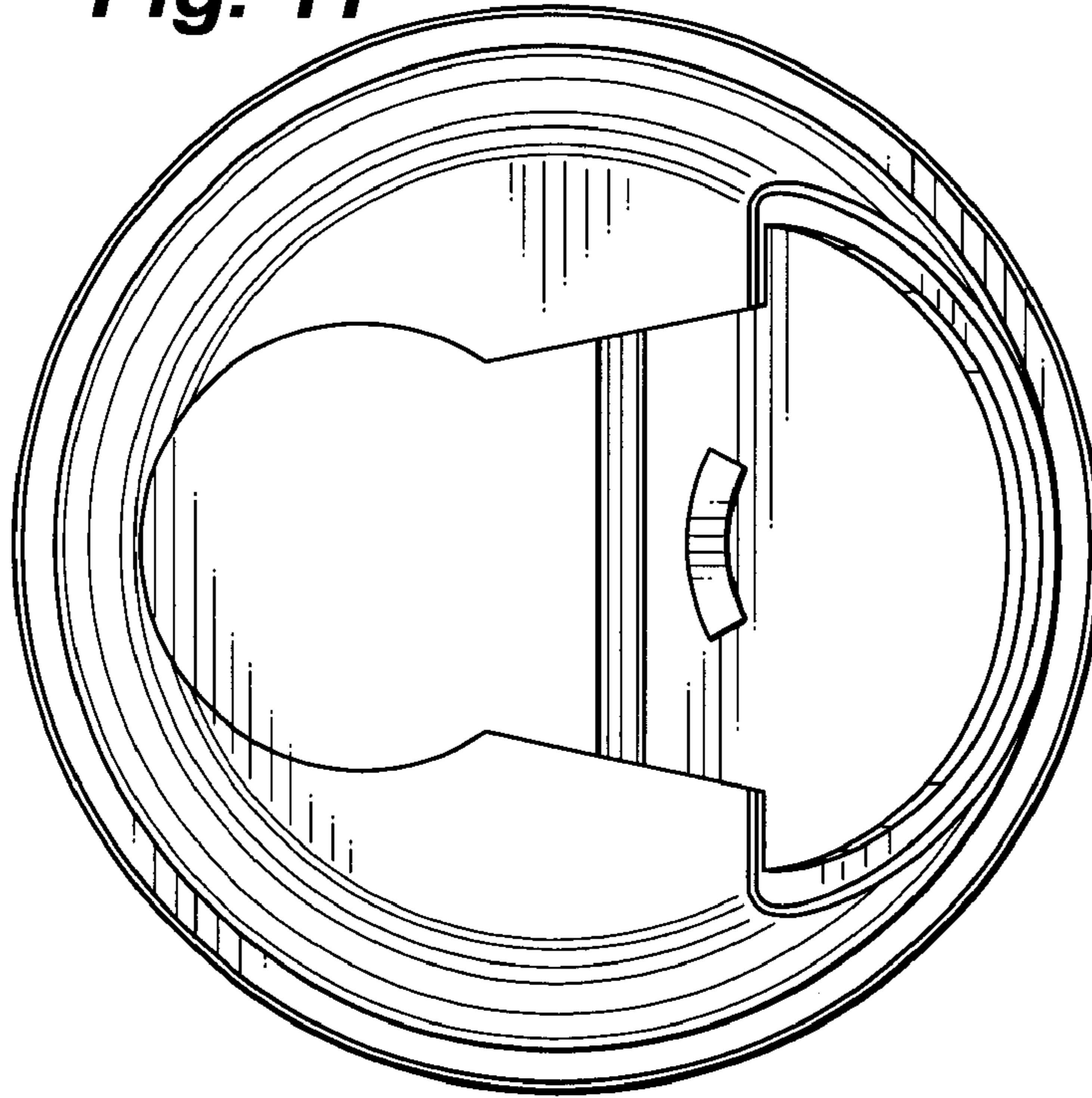


Fig. 12

