



US00D535142S

(12) **United States Design Patent** (10) **Patent No.:** **US D535,142 S**
Patterson et al. (45) **Date of Patent:** **** Jan. 16, 2007**

(54) **FOOD WASTE DISPOSER TRIM SHELL**
(75) Inventors: **James Robert Patterson**, Oak Creek, WI (US); **Thomas M. Garza, Sr.**, Milwaukee, WI (US); **Scott W Anderson**, Racine, WI (US); **David MacNair**, Libertyville, WI (US); **Joshua P Malik**, Racine, WI (US); **Eric Joseph Schultz**, Thiensville, WI (US); **James Douglas Wilson**, Norwood, MA (US); **Kevin Robert Young**, South Boston, MA (US); **Jo Frances Wollschlaeger**, Portland, OR (US)

(73) Assignee: **Emerson Electric Co.**, St. Louis, MO (US)

(**) Term: **14 Years**

(21) Appl. No.: **29/245,751**

(22) Filed: **Dec. 27, 2005**

(51) **LOC (8) Cl.** **31-00**

(52) **U.S. Cl.** **D7/375**

(58) **Field of Classification Search** D7/375, D7/372-374, 378-379, 384, 678; 241/36, 241/37.5, 92, 169.1, 199.12, 282.1; 210/532.1, 210/539-540; 4/629, DIG. 4
See application file for complete search history.

(56) **References Cited**

U.S. PATENT DOCUMENTS

3,038,172	A	*	6/1962	Fritz et al.	4/629
D194,128	S	*	11/1962	Hawkins	D7/375
3,801,998	A	*	4/1974	Macias	4/629
4,761,235	A	*	8/1988	Haentjens	210/532.1
D426,421	S		6/2000	Hirsch et al.	D7/375

D430,987	S		9/2000	Brandel et al.	D7/375
D431,153	S		9/2000	Brandel et al.	D7/375
D431,752	S		10/2000	Brandel et al.	D7/375
D444,668	S	*	7/2001	Leung	D7/372
D451,755	S		12/2001	Brandel et al.	D7/375
D452,110	S		12/2001	Brandel et al.	D7/375
D455,603	S		4/2002	Brandel et al.	D7/375
D455,604	S	*	4/2002	Brandel et al.	D7/375

OTHER PUBLICATIONS

U.S. Appl. No. 29/245,756, Patterson et al., filed Dec. 27, 2005.
U.S. Appl. No. 29/245,750, Patterson et al., filed Dec. 27, 2005.
U.S. Appl. No. 29/245,755, Patterson et al., filed Dec. 27, 2005.
U.S. Appl. No. 29/245,759, Patterson et al., filed Dec. 27, 2005.

* cited by examiner

Primary Examiner—Catherine R. Oliver

(74) *Attorney, Agent, or Firm*—Locke Liddell & Sapp LLP

(57) **CLAIM**

The ornamental design for a food waste disposer trim shell, as shown and described.

DESCRIPTION

FIG. 1 is a perspective view of the food waste disposer trim shell.
FIG. 2 is a front view.
FIG. 3 is a rear view.
FIG. 4 a side view.
FIG. 5 is a side view showing the side opposite that shown in FIG. 4.
FIG. 6 is a top view; and,
FIG. 7 is a bottom view.

1 Claim, 2 Drawing Sheets

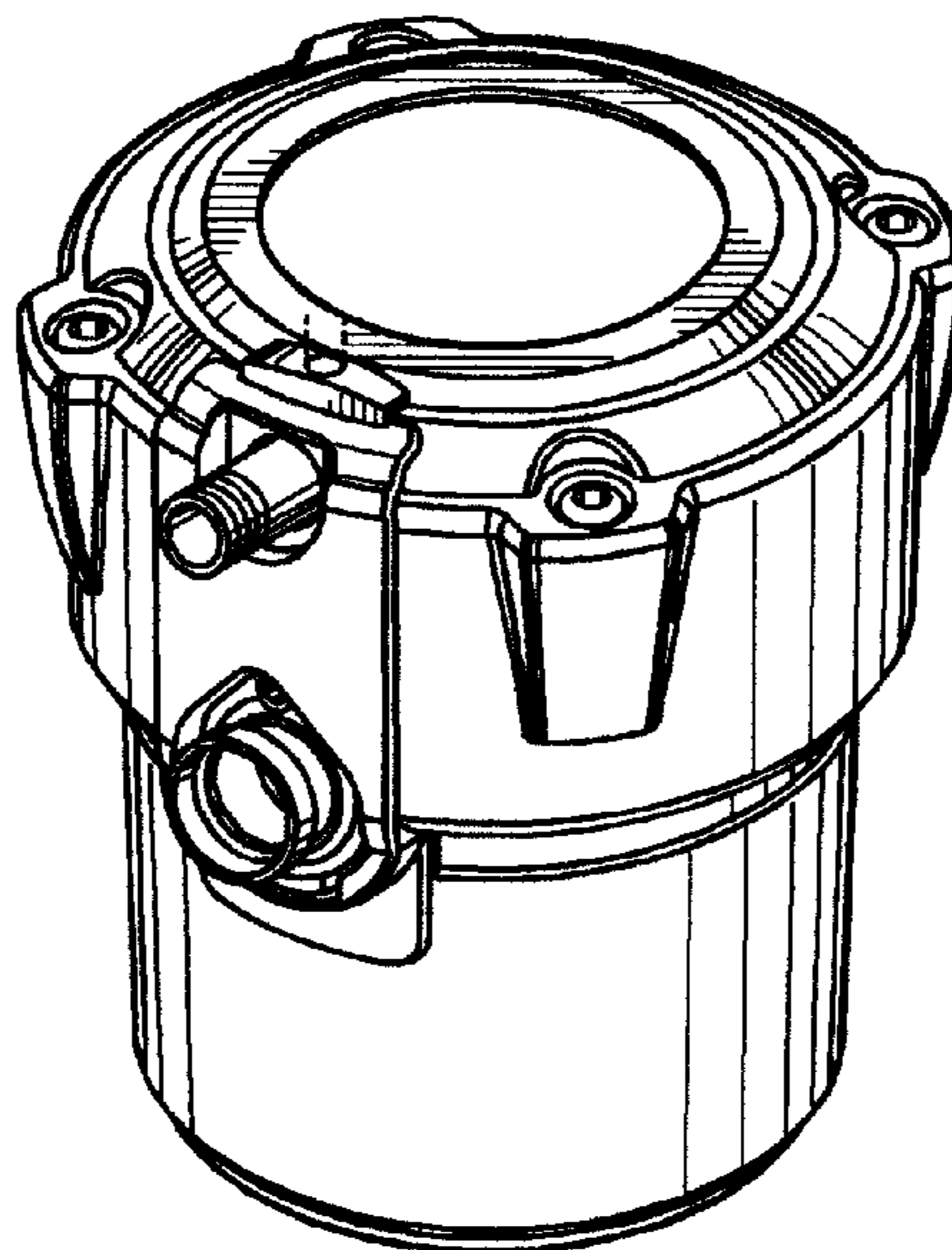


FIG. 1

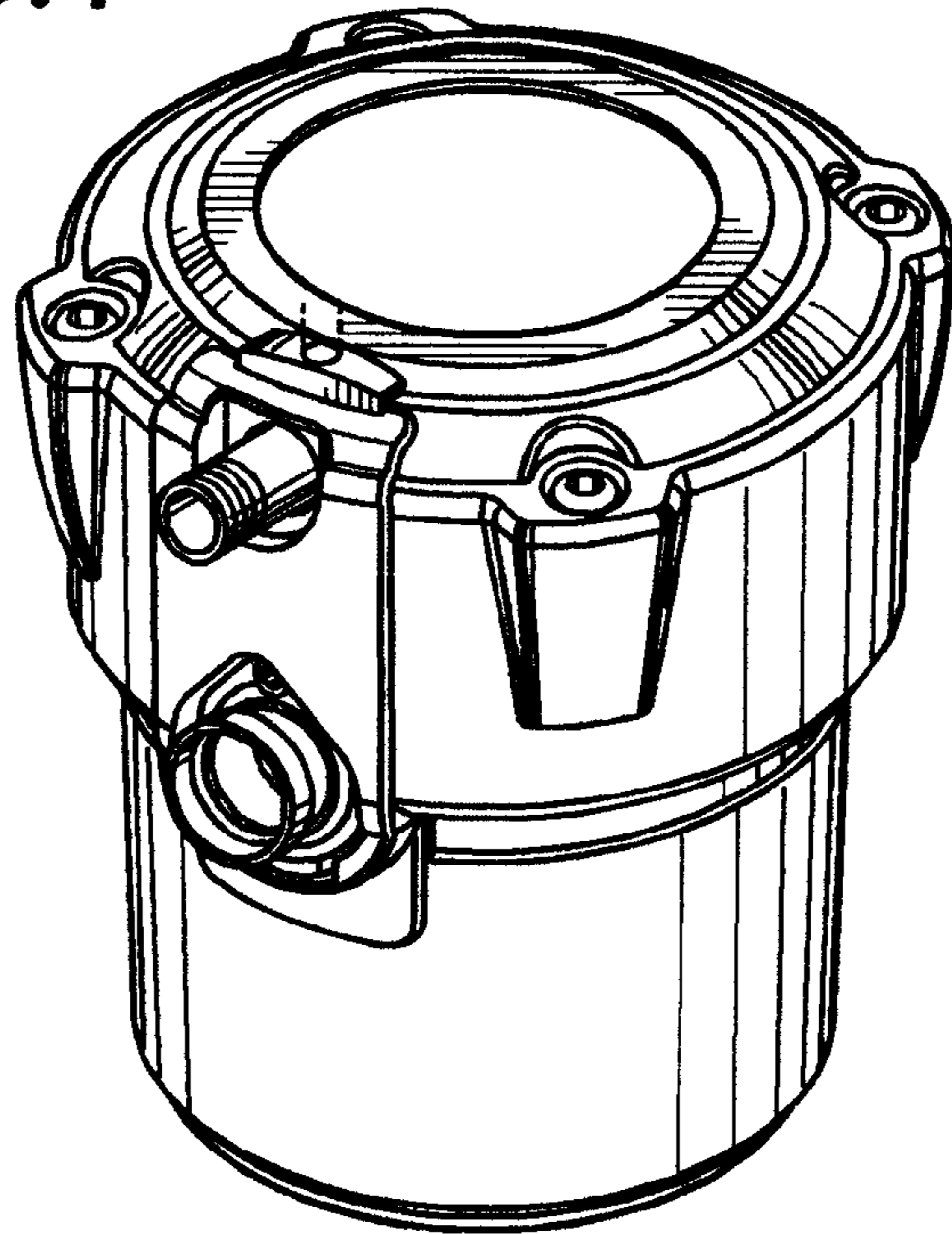


FIG. 2

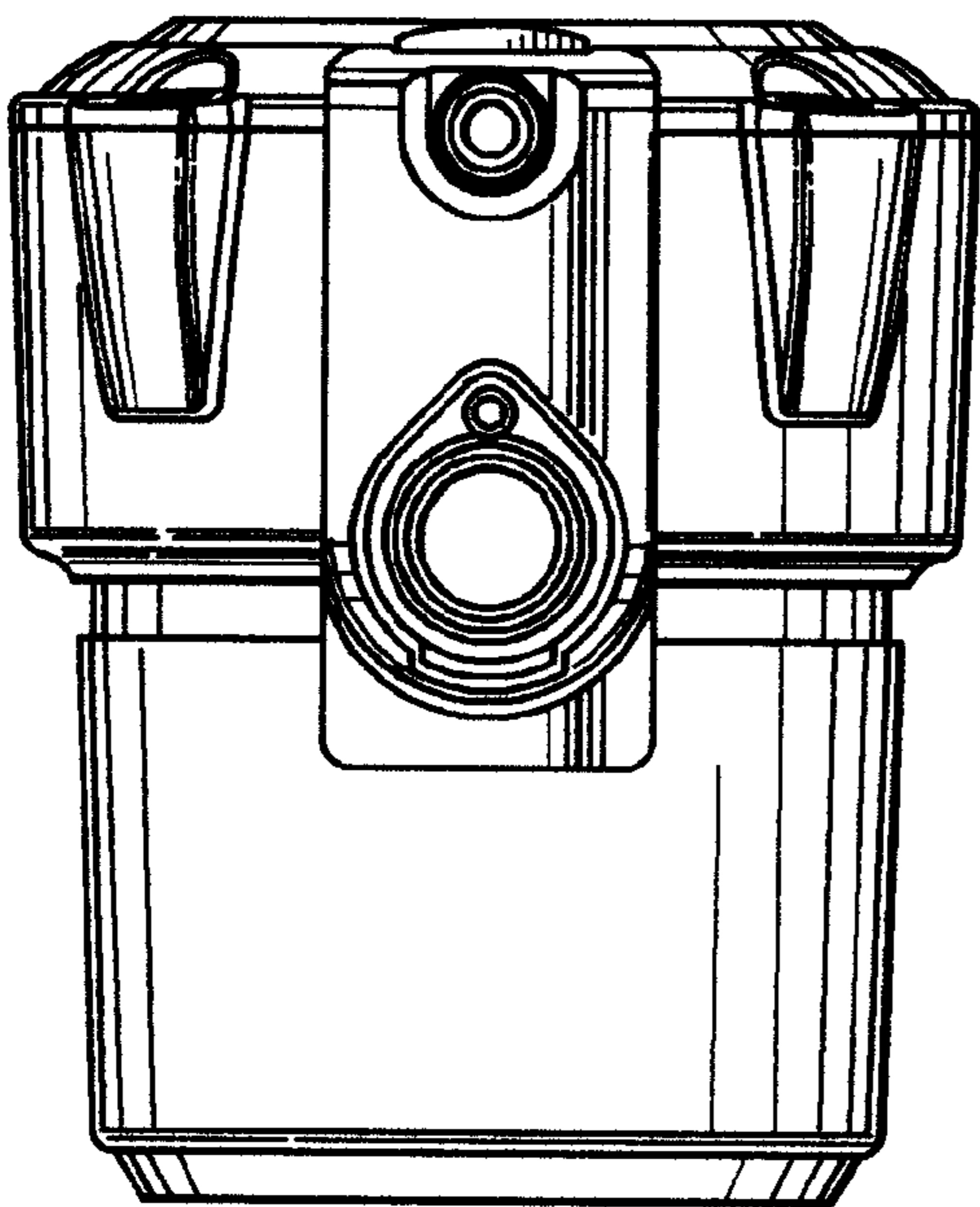


FIG. 3

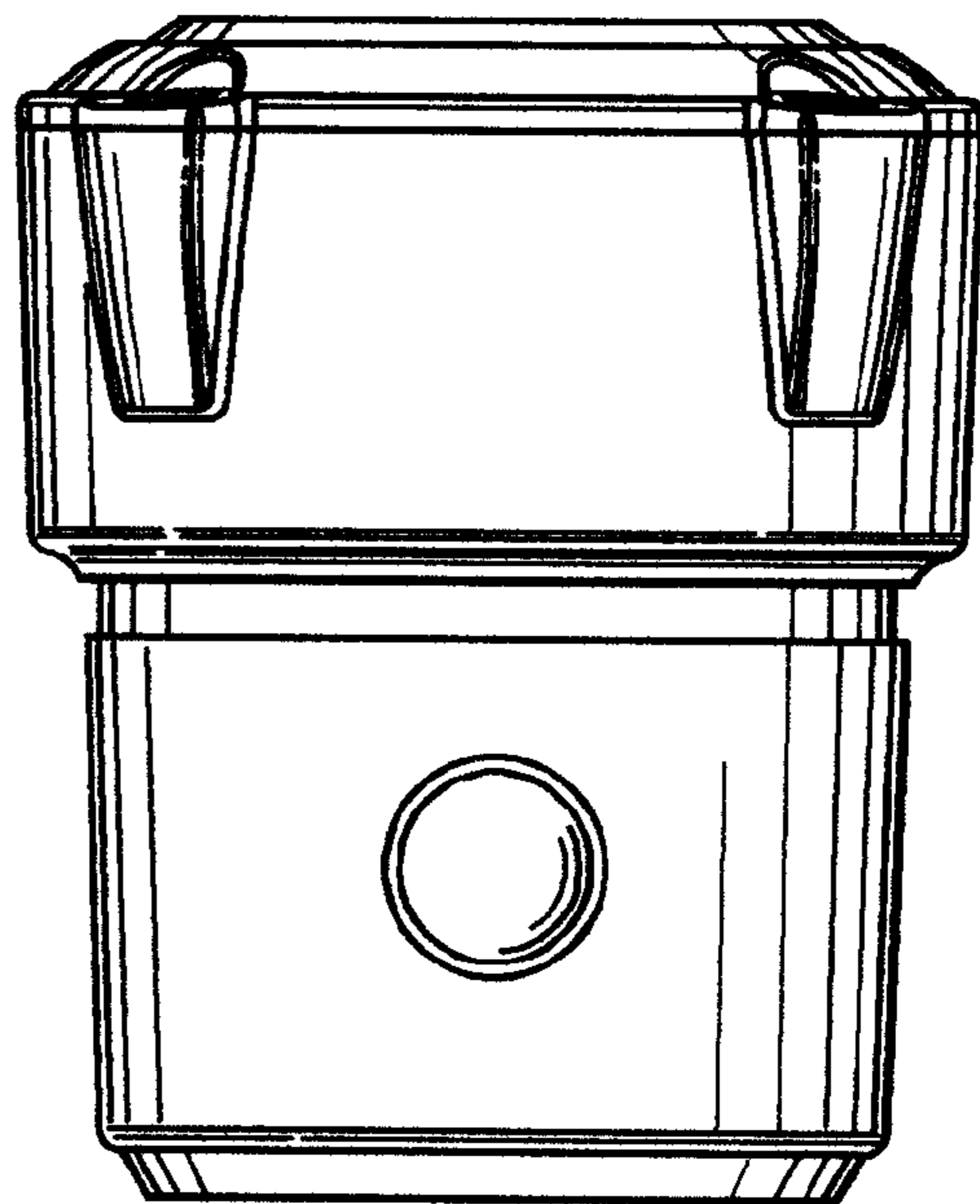


FIG. 4

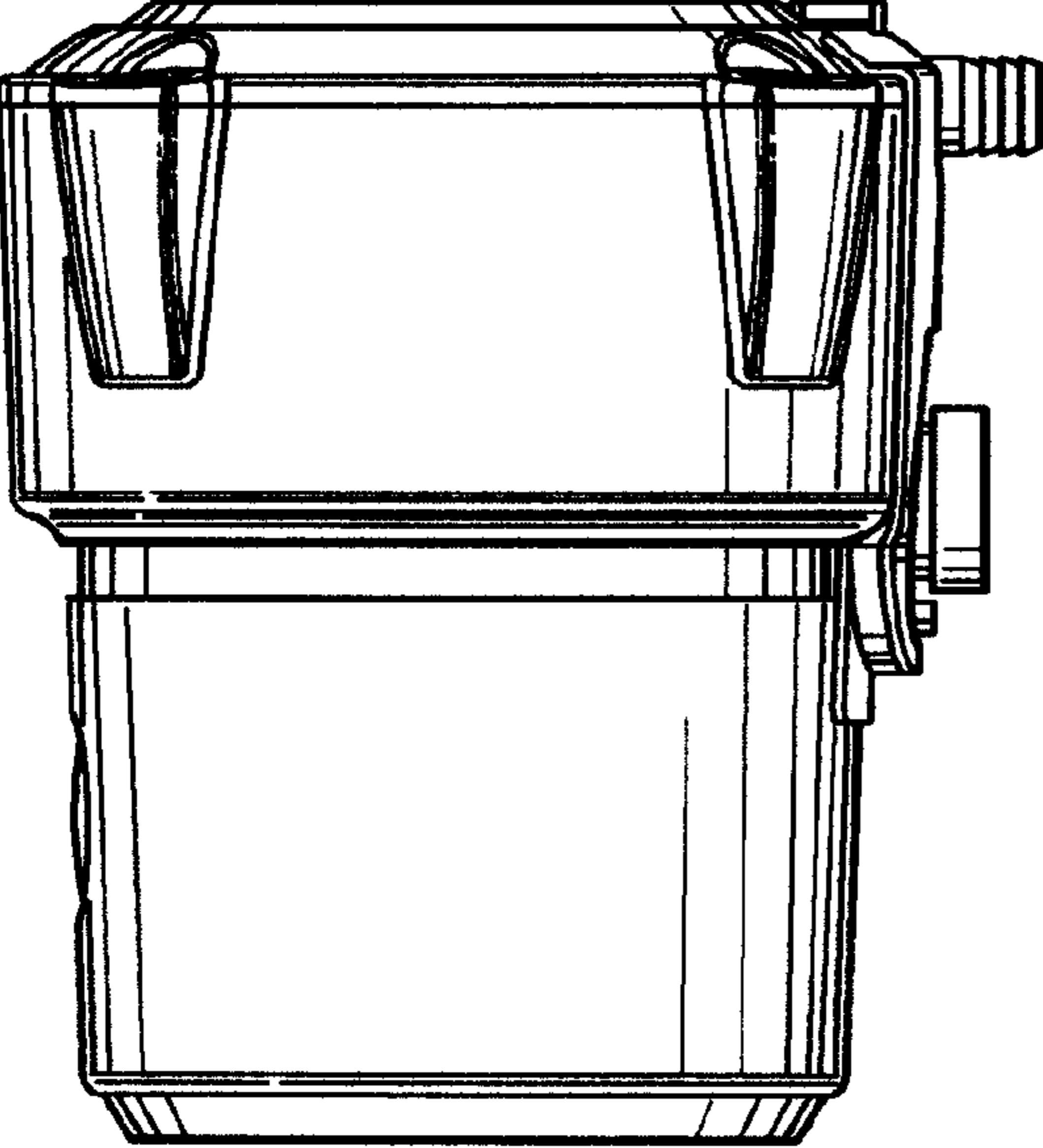


FIG. 5

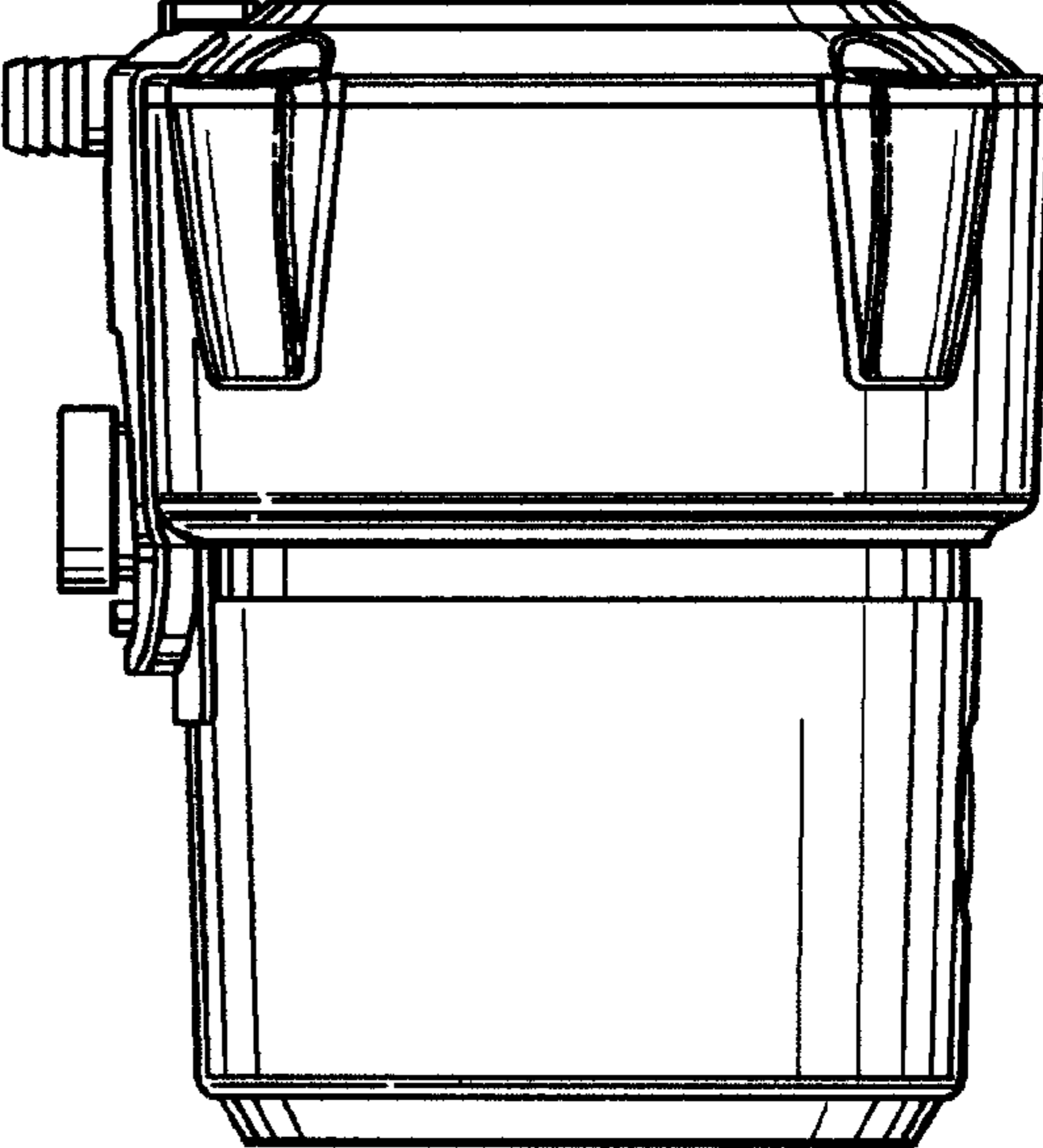


FIG. 6

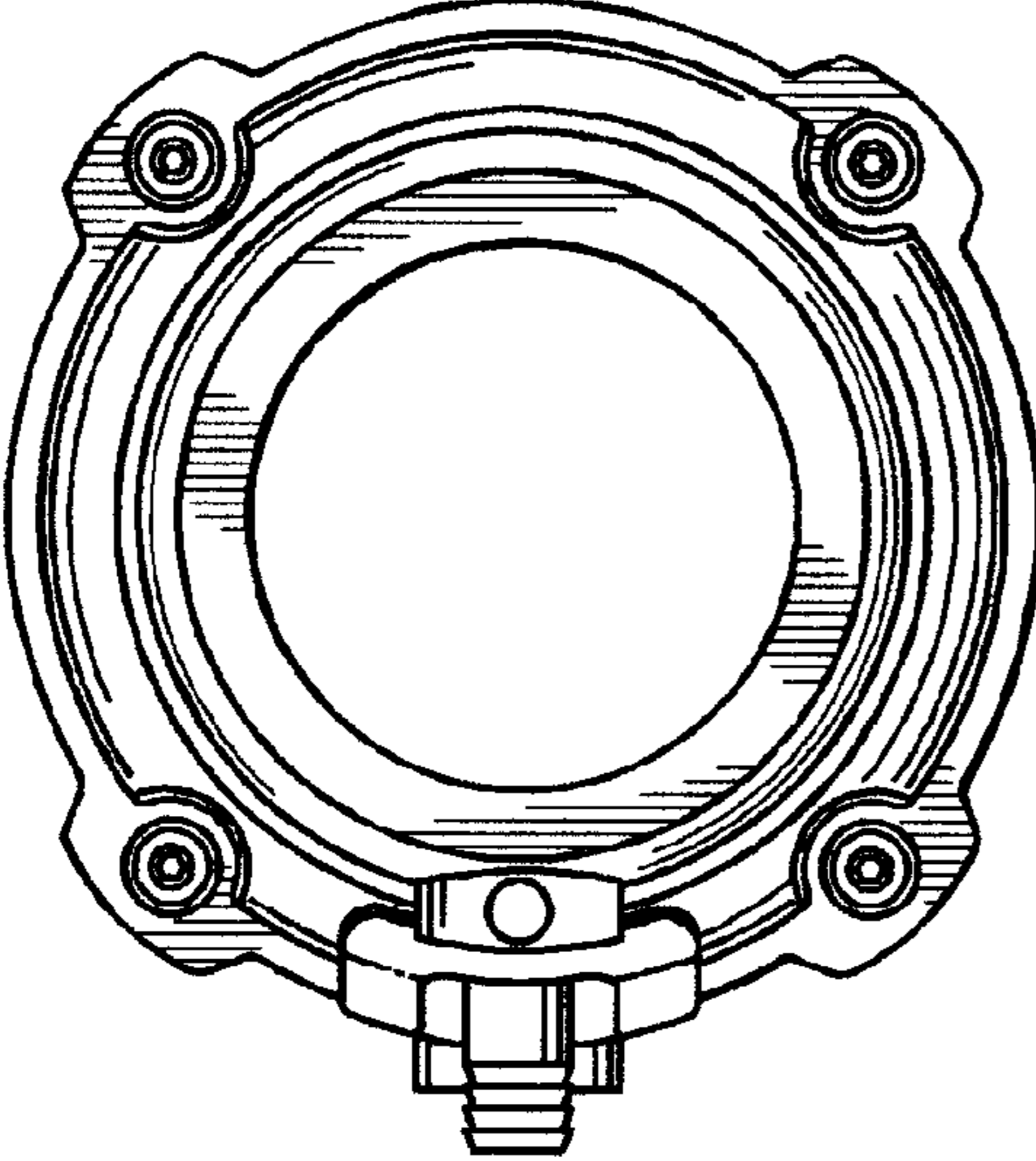


FIG. 7

