

US00D535140S

(12) **United States Design Patent**  
**Thurman, Jr. et al.**

(10) **Patent No.:** **US D535,140 S**  
(45) **Date of Patent:** **\*\* Jan. 16, 2007**

(54) **BAR-B-QUE GRILL**

(76) Inventors: **Jerry H. Thurman, Jr.**, 3 Marvin Walters Rd., Laurel, MS (US) 39443;  
**Charles Russell Freeman**, 7 Sleepy Hollow Rd., Laurel, MS (US) 39443

(\*\*) Term: **14 Years**

(21) Appl. No.: **29/232,030**

(22) Filed: **Jun. 15, 2005**

(51) **LOC (8) Cl.** ..... **07-02**

(52) **U.S. Cl.** ..... **D7/335**

(58) **Field of Classification Search** ..... D7/332,  
D7/334-337, 402-405, 417; 126/25 R, 25 A,  
126/25 AA, 25 B, 41 R, 50, 59, 59.5, 37 R,  
126/9 R, 9 B, 29-30, 276, 332, 334; 211/215,  
211/134-135, 153; 99/481-482, 444; 426/314;  
312/236

See application file for complete search history.

(56) **References Cited**

**U.S. PATENT DOCUMENTS**

4,747,391 A \* 5/1988 Hanagan et al. .... 126/41 R

6,488,022 B1 \* 12/2002 Shingler ..... 126/41 R  
6,701,913 B1 \* 3/2004 LeDuc et al. .... 126/276  
D520,802 S \* 5/2006 McLemore et al. .... D7/335  
2001/0018914 A1 \* 9/2001 Shingler ..... 126/41 R  
2004/0094142 A1 \* 5/2004 Christensen et al. .... 126/41 R

\* cited by examiner

*Primary Examiner*—Ruth McInroy

(74) *Attorney, Agent, or Firm*—Ronald E. Greigg

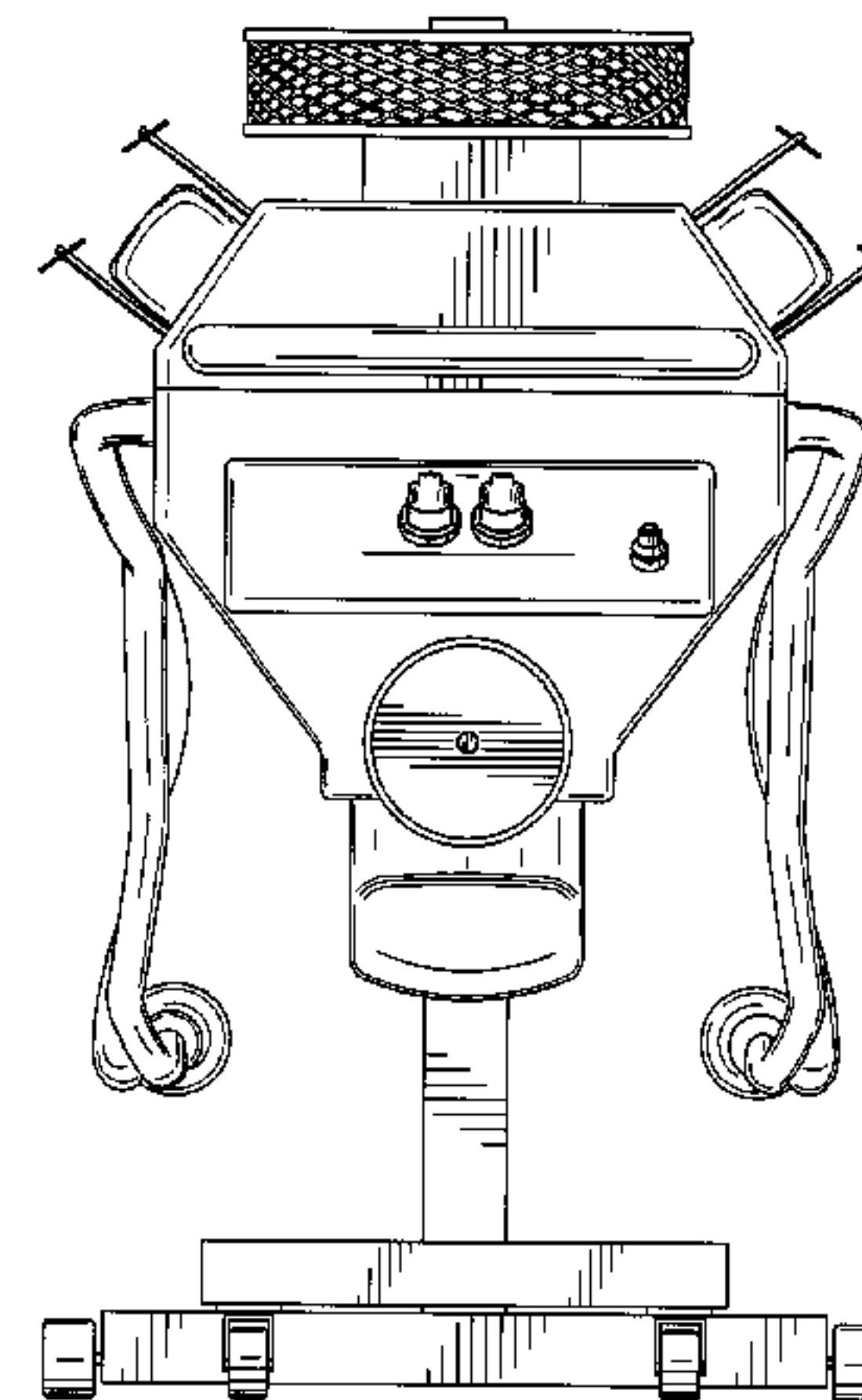
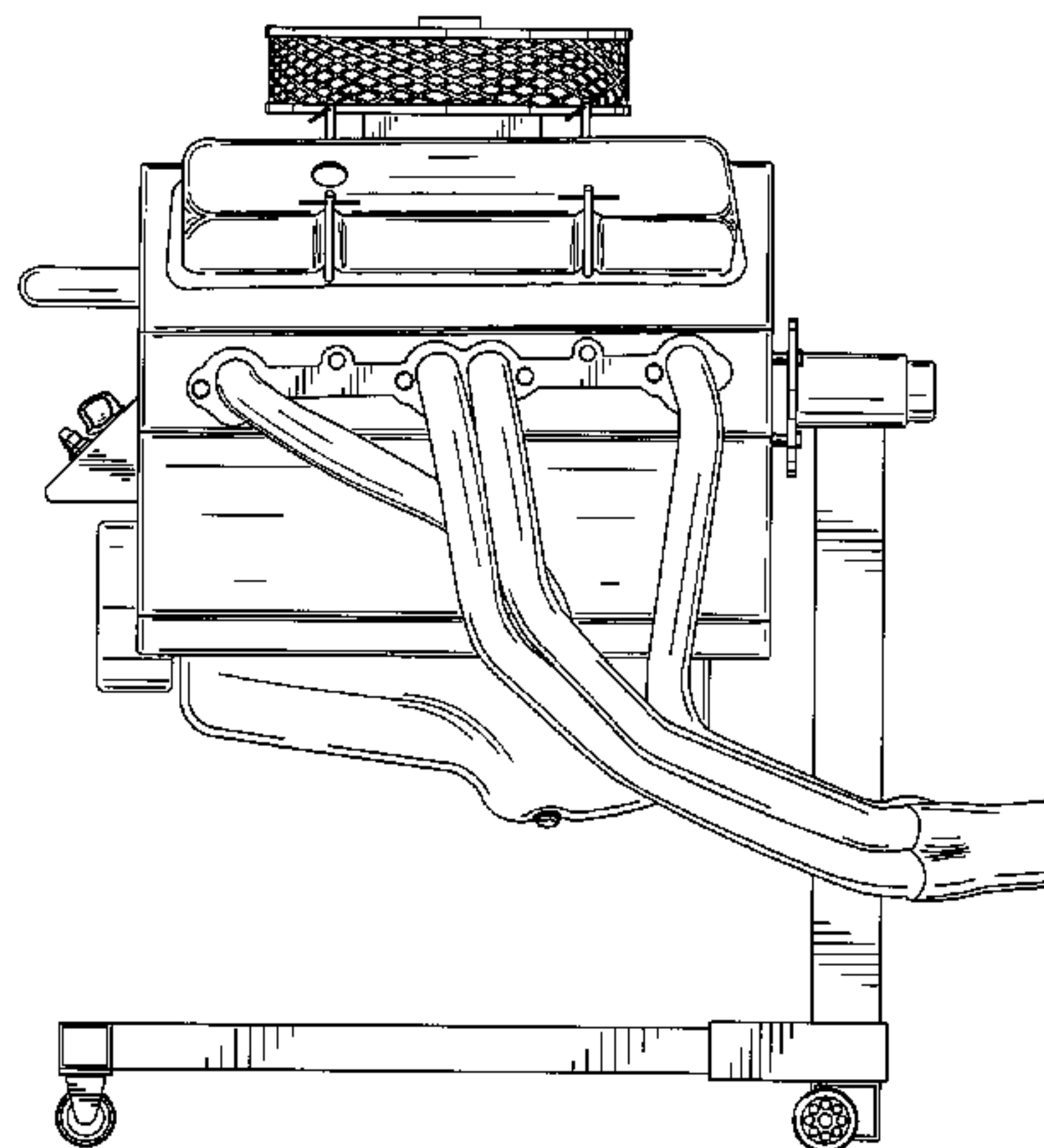
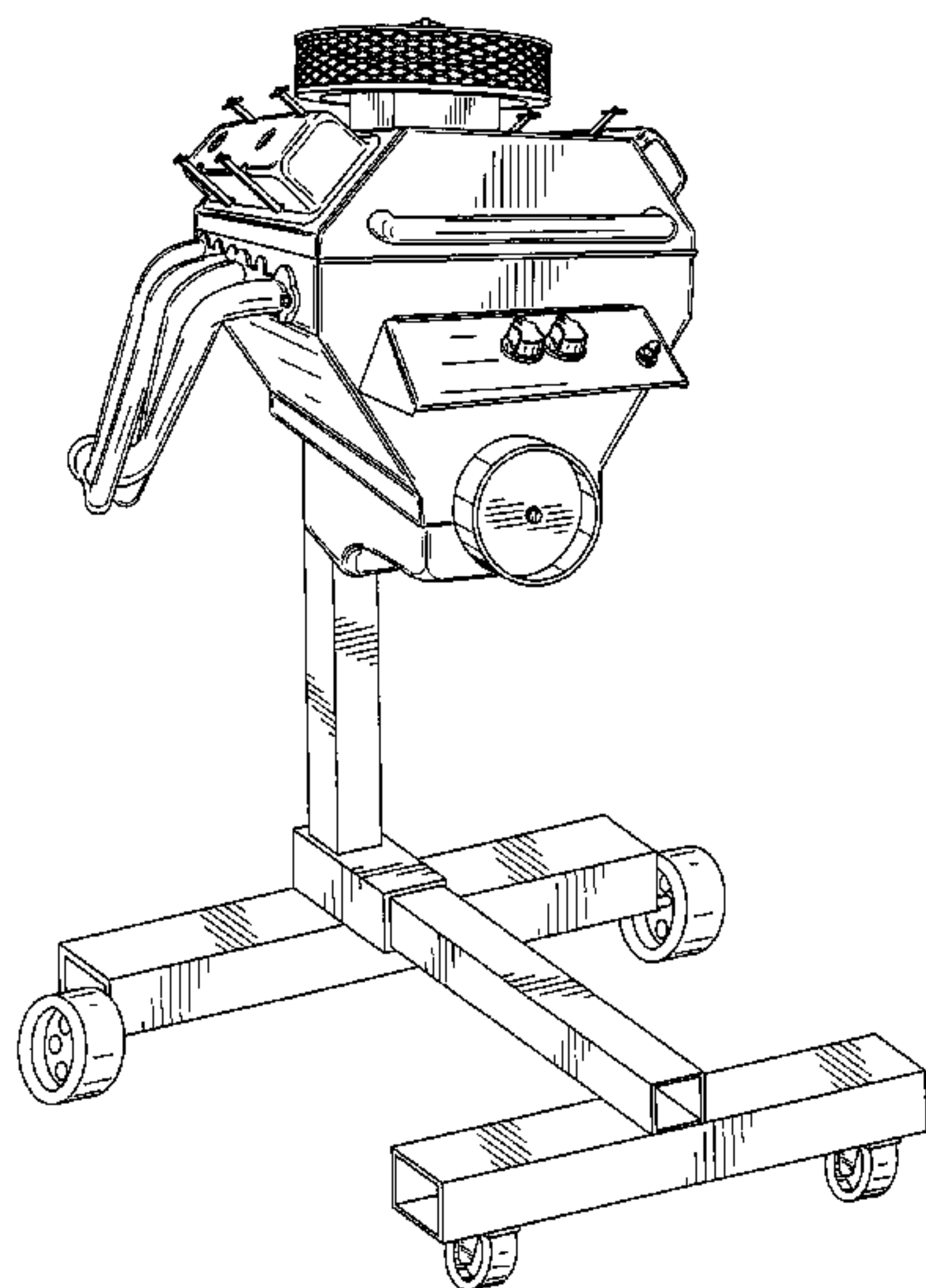
(57) **CLAIM**

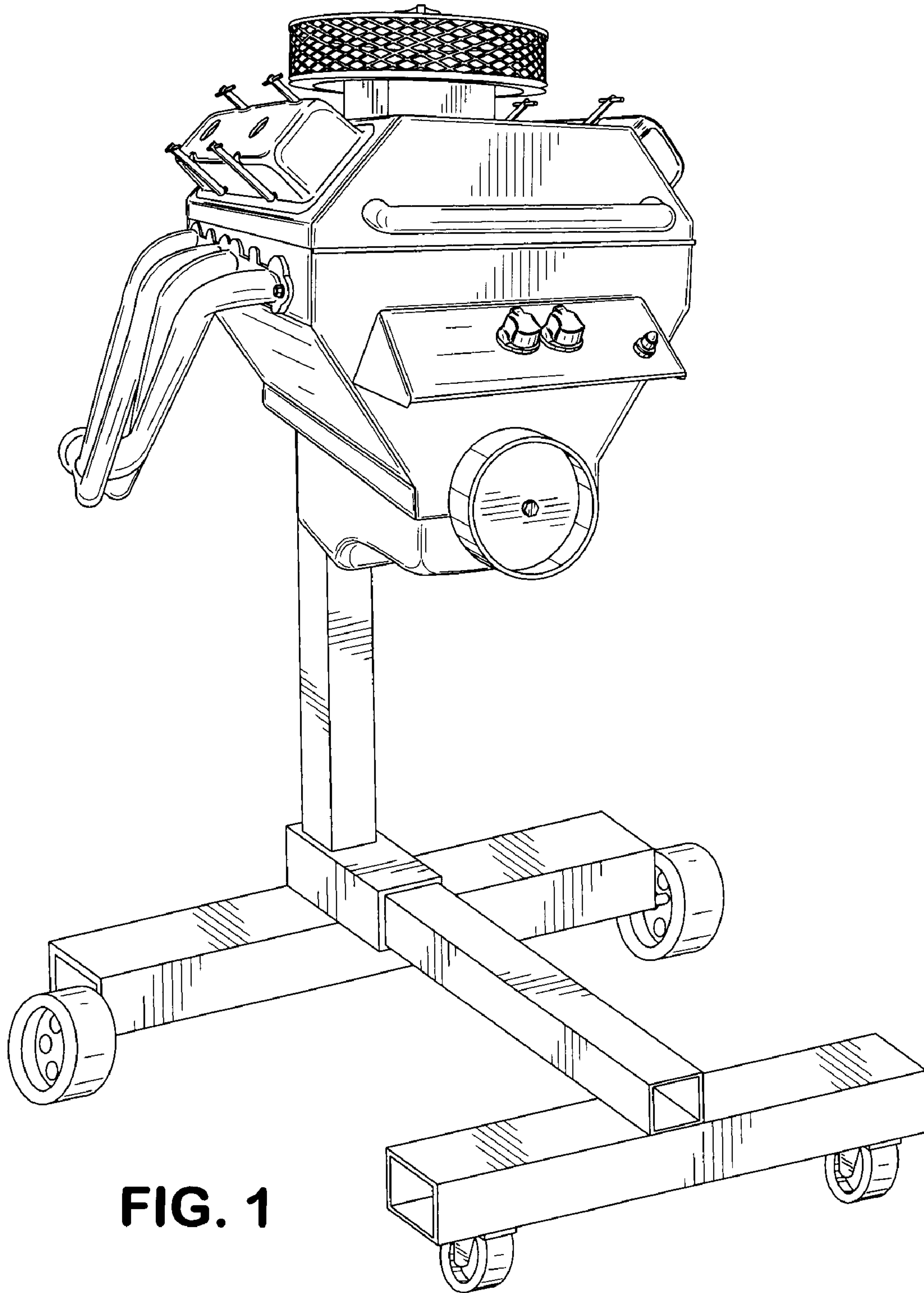
The ornamental design for a bar-b-que grill, as shown.

**DESCRIPTION**

FIG. 1 is a front perspective view showing our new design;  
FIG. 2 is a left side elevational view;  
FIG. 3 is a right side elevational view;  
FIG. 4 is a rear elevational view;  
FIG. 5 is a front elevational view thereof; and,  
FIG. 6 is a top plan view.

**1 Claim, 6 Drawing Sheets**





**FIG. 1**

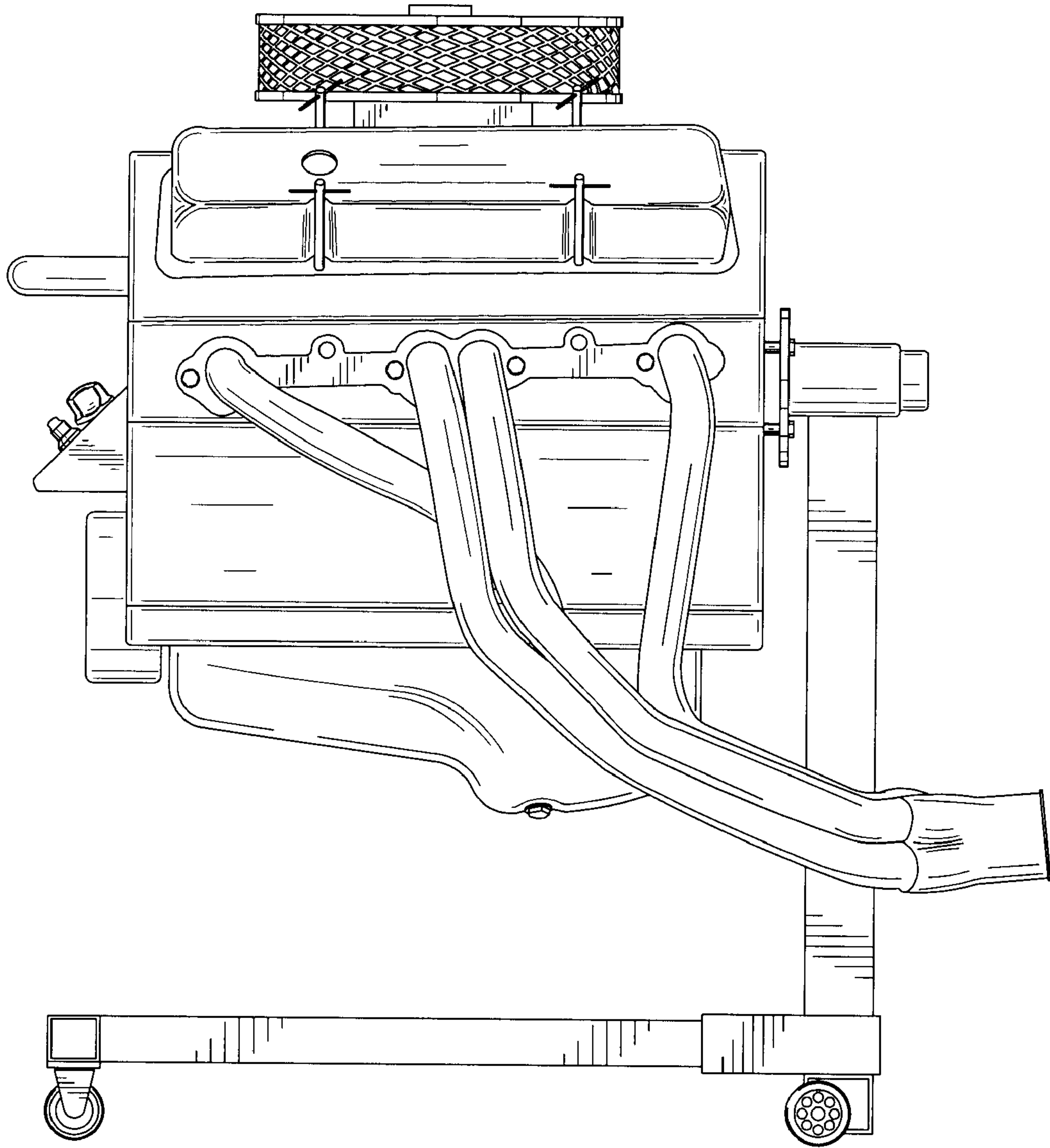


FIG. 2

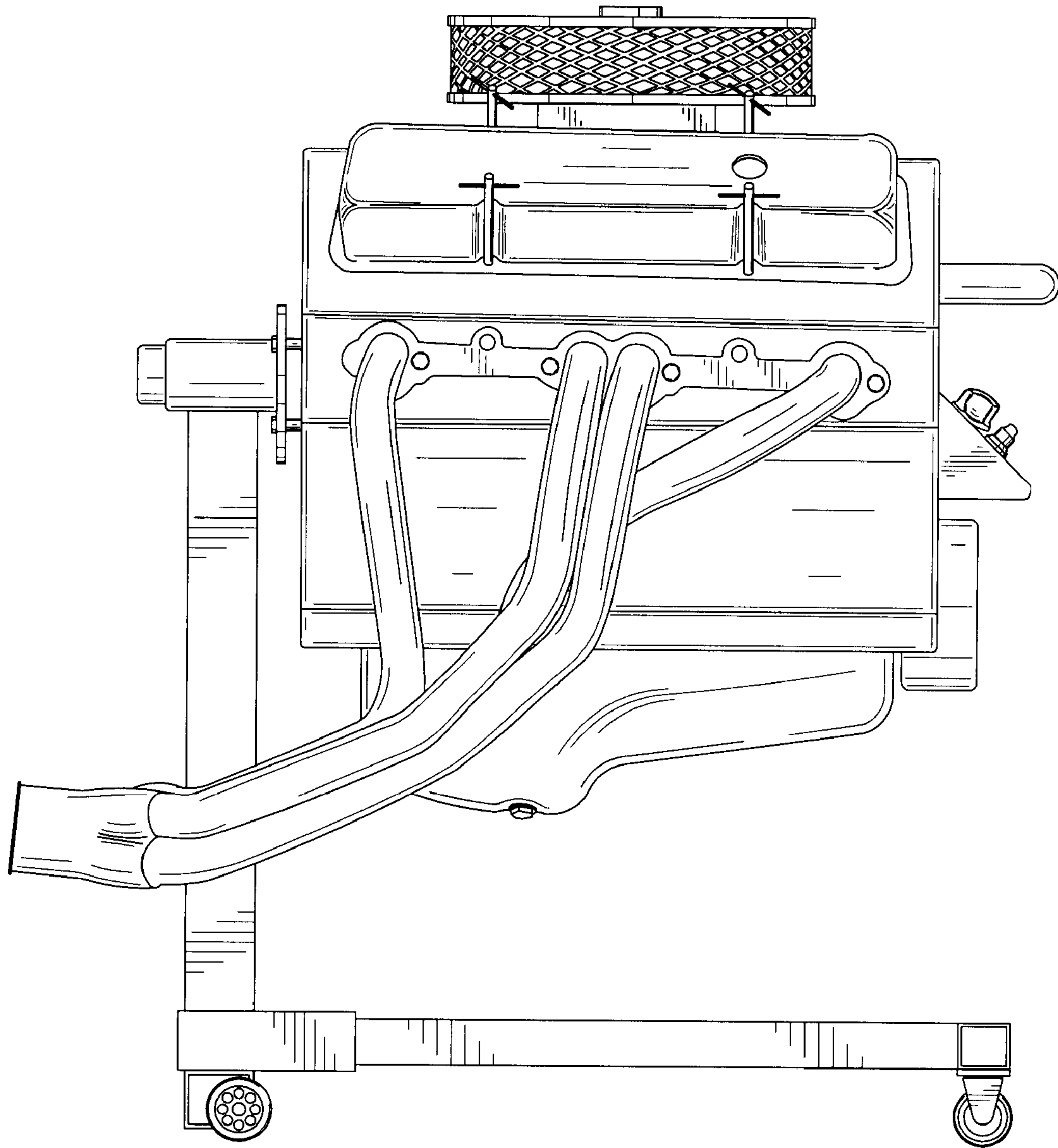
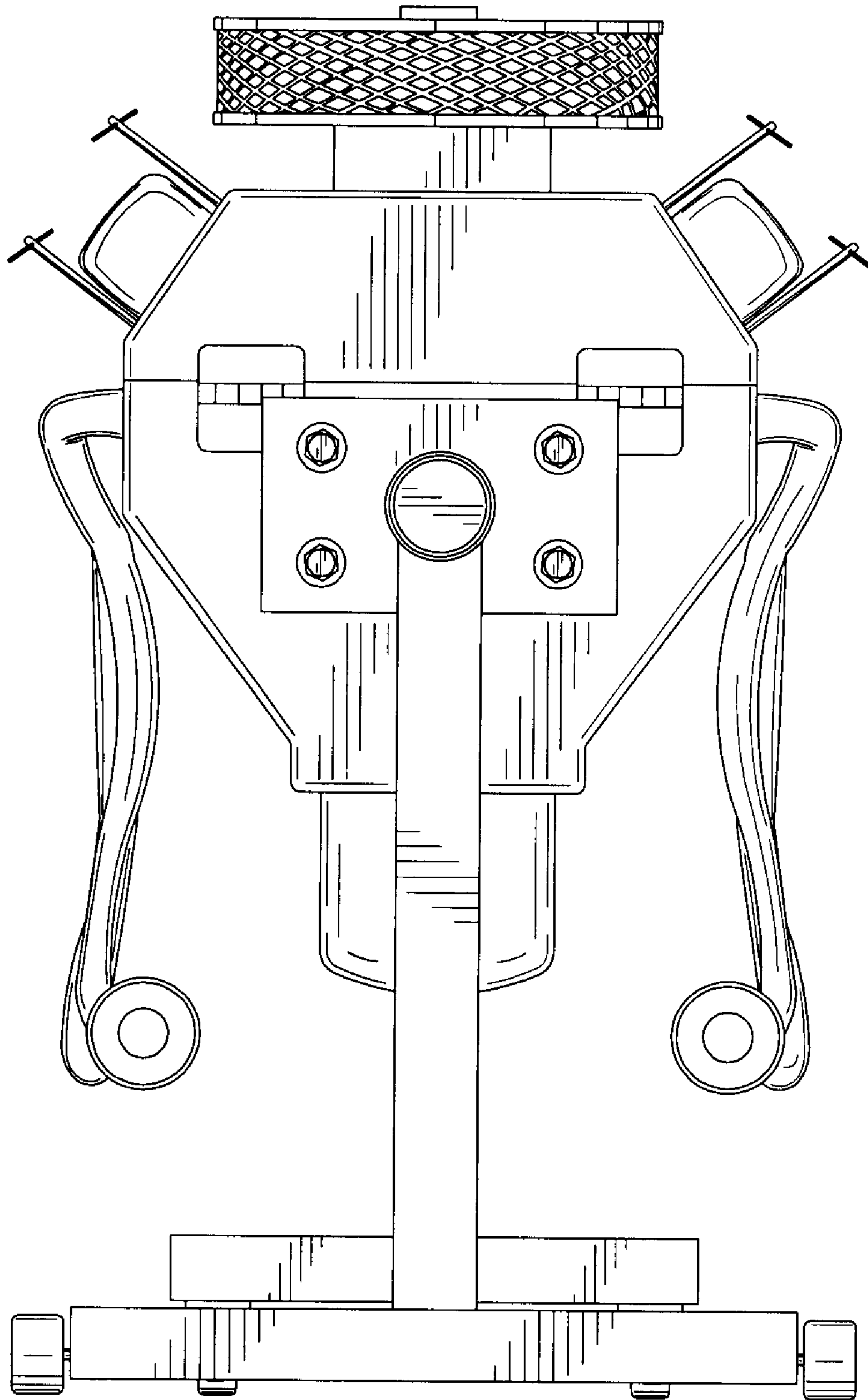
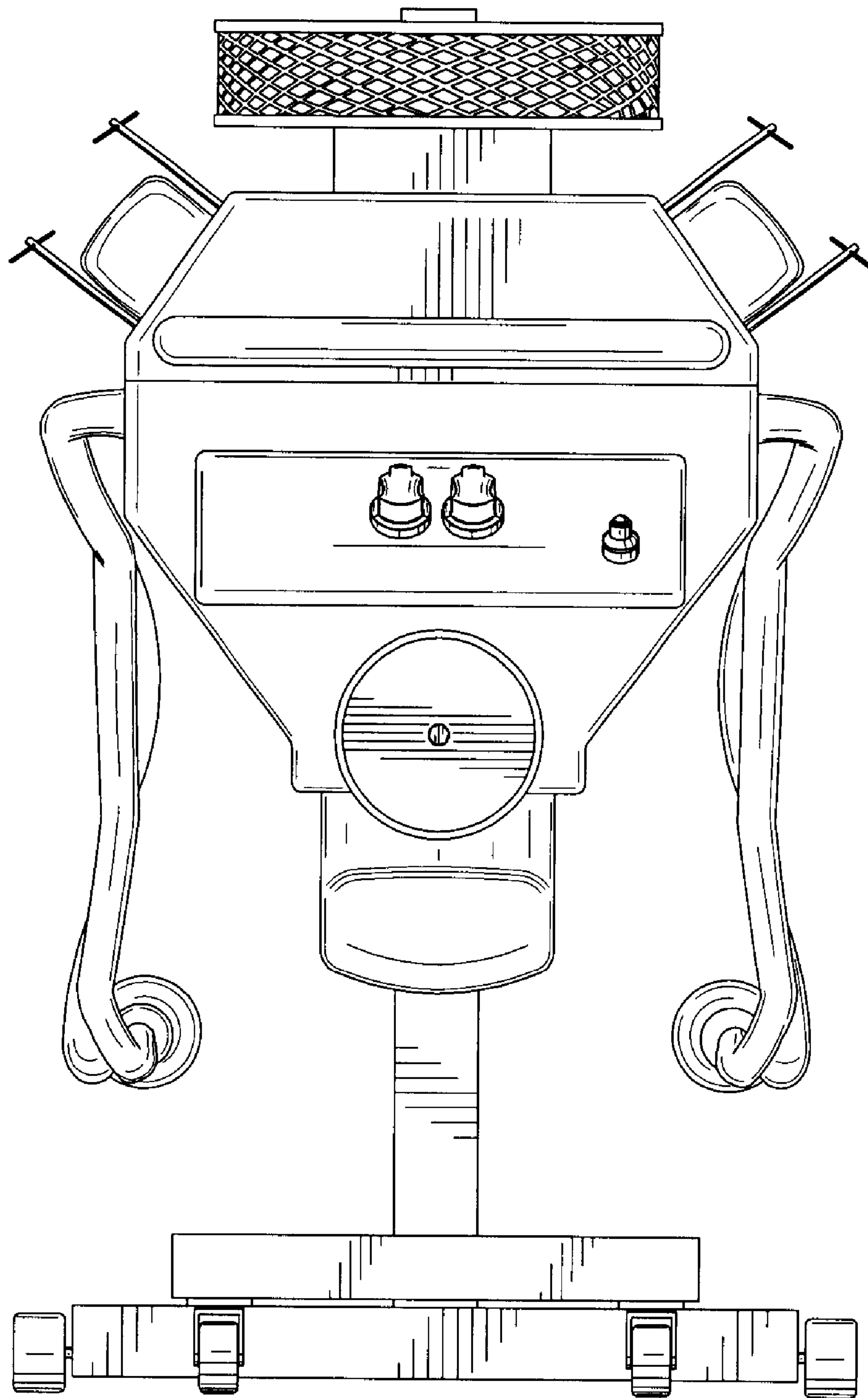


FIG. 3

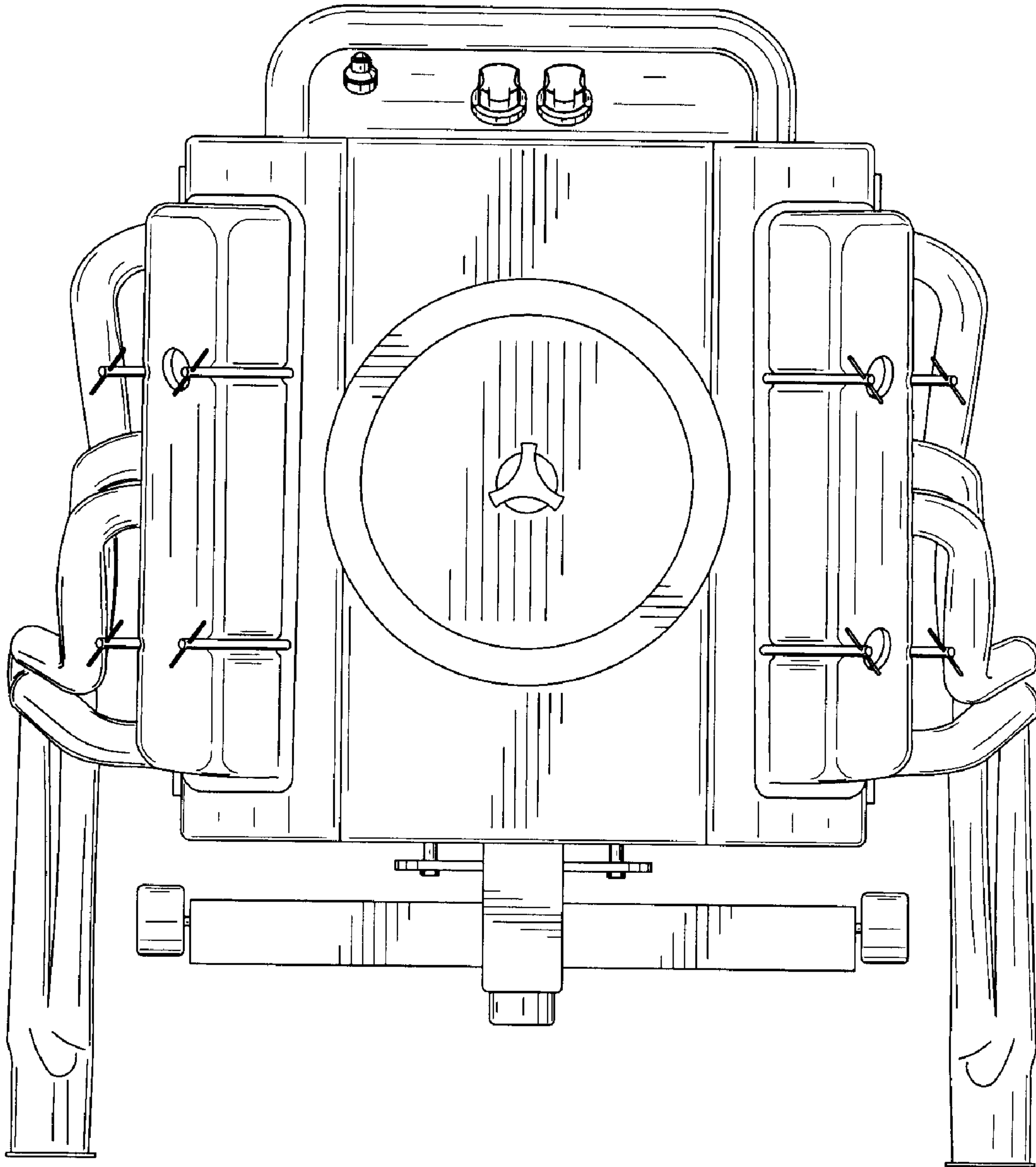




**FIG. 4**



**FIG. 5**



**FIG. 6**