



US00D535137S

(12) **United States Design Patent**
Mashburn

(10) **Patent No.:** **US D535,137 S**

(45) **Date of Patent:** **** Jan. 16, 2007**

(54) **BARBECUE APPARATUS**

(75) Inventor: **James S. Mashburn**, Lakewood, CA
(US)

(73) Assignee: **Magma Products, Inc.**, Lakewood, CA
(US)

(**) Term: **14 Years**

(21) Appl. No.: **29/215,752**

(22) Filed: **Oct. 22, 2004**

(51) **LOC (8) Cl.** **07-02**

(52) **U.S. Cl.** **D7/332**

(58) **Field of Classification Search** D7/332-337,
D7/402-405, 362-363, 365, 367; 126/19.5,
126/25 R, 25 A, 25 AA, 29-30, 9 R, 9 A,
126/9 B, 38, 37, 40, 268, 276, 305, 312,
126/50, 41 R, 77; 110/241; 99/339, 419,
99/449

See application file for complete search history.

(56) **References Cited**

U.S. PATENT DOCUMENTS

D206,738 S * 1/1967 Wilkinson D7/334

D295,136 S * 4/1988 Cox, Jr. D7/334

4,840,118 A * 6/1989 Rinehart 99/446
D323,444 S * 1/1992 Masters D7/332
D339,956 S * 10/1993 George, Jr. D7/334
5,404,795 A * 4/1995 Coble 99/339
D430,772 S * 9/2000 Ganard D7/334
D450,216 S * 11/2001 Wood et al. D7/334
6,606,986 B1 * 8/2003 Holland et al. 126/25 R
D487,209 S * 3/2004 MacIntosh D7/334
6,877,505 B1 * 4/2005 Den Hoed 126/276

* cited by examiner

Primary Examiner—Ruth McInroy

(74) *Attorney, Agent, or Firm*—Fulwider Patton LLP

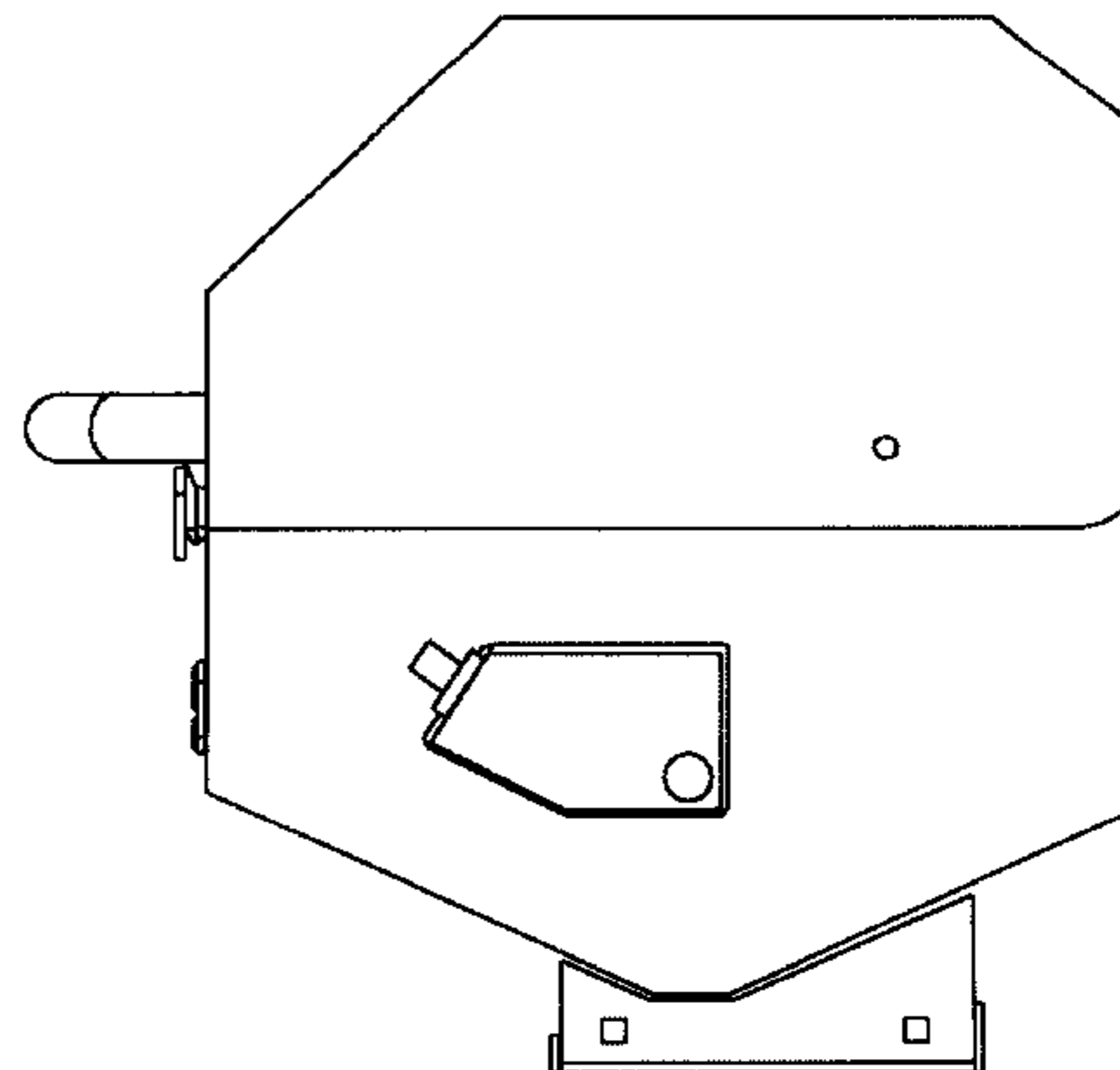
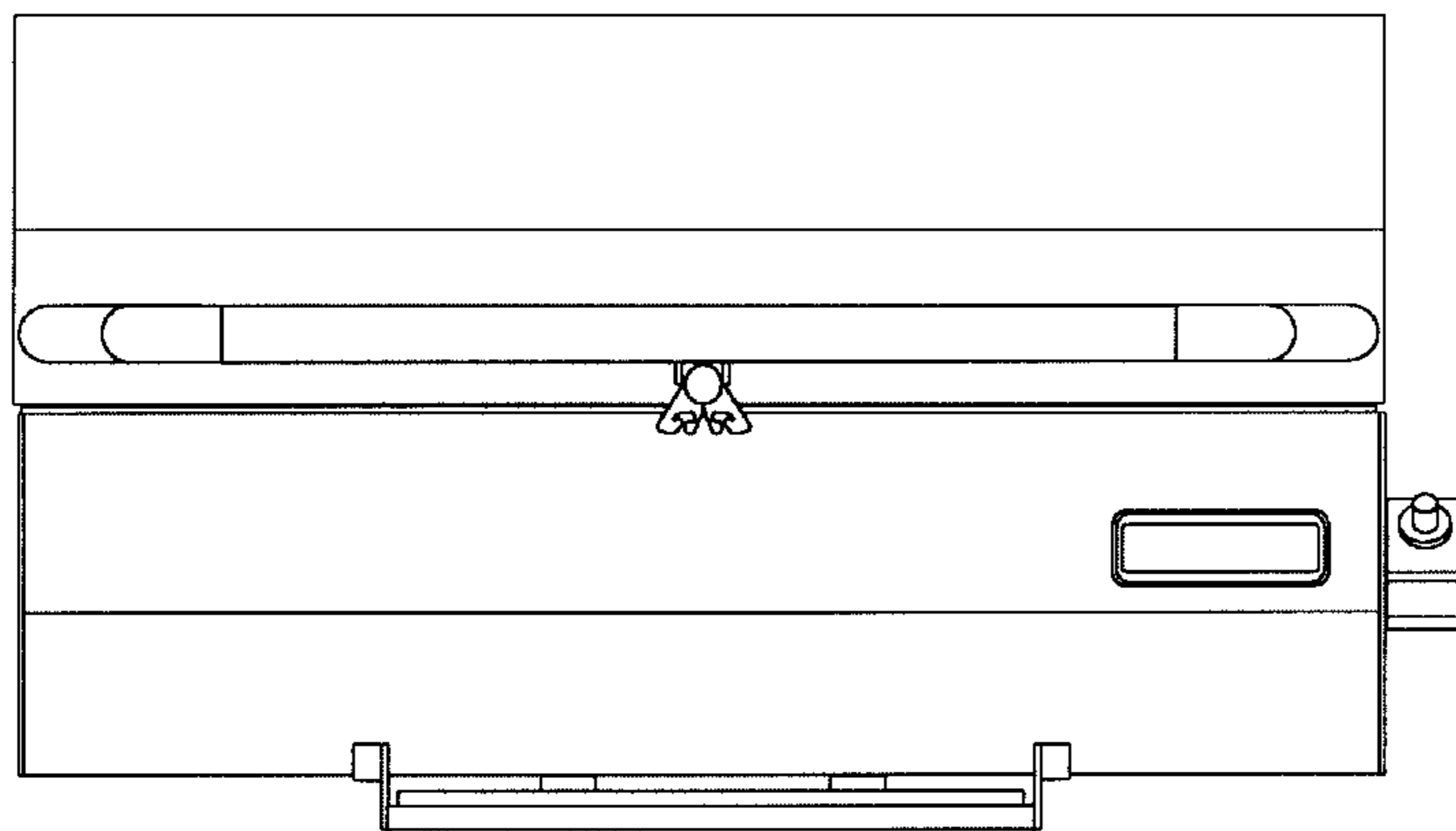
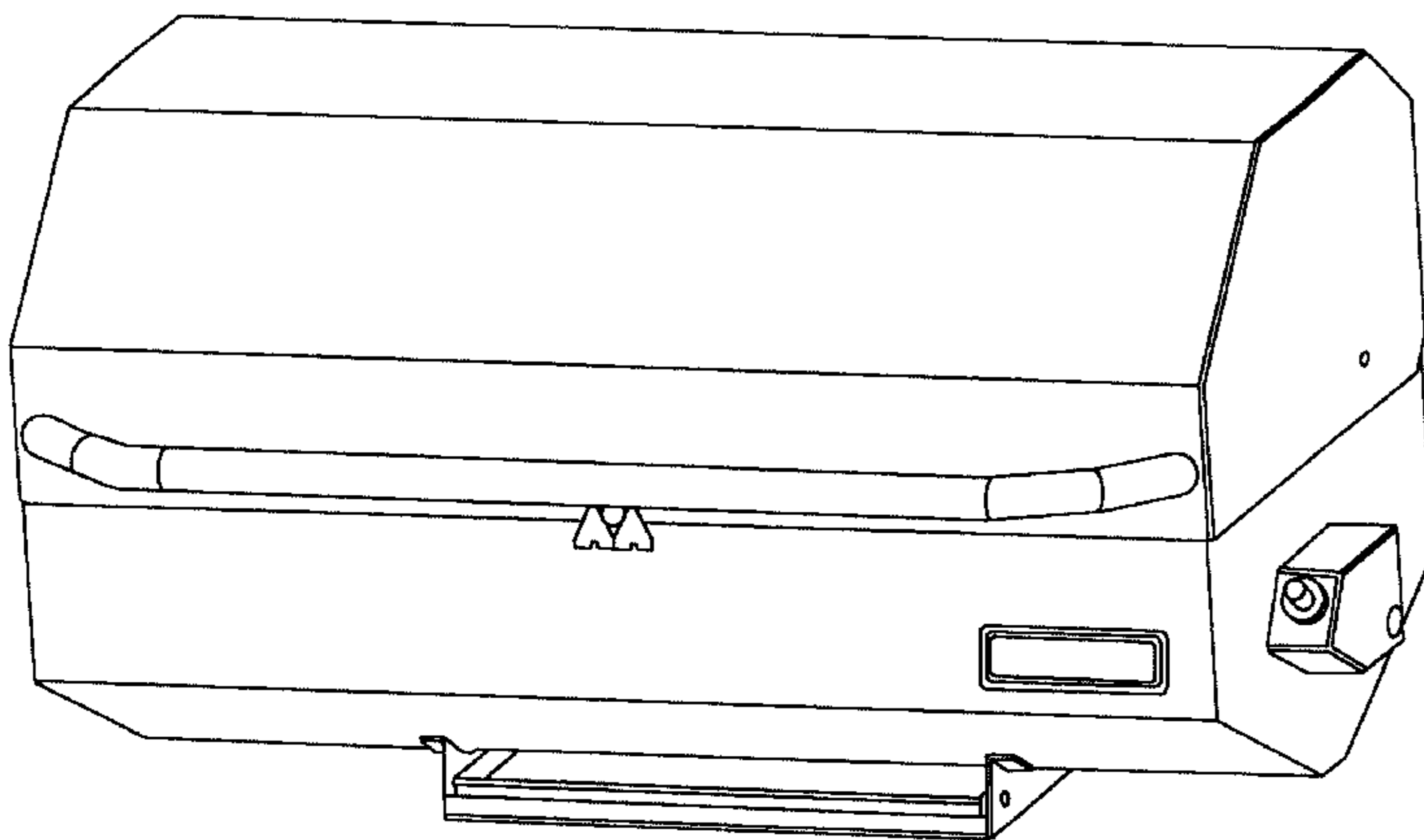
(57) **CLAIM**

The ornamental design for a barbecue apparatus, as shown and described.

DESCRIPTION

FIG. 1 is a front perspective view showing my new design; FIG. 2 is a top plan view thereof; FIG. 3 is front plan view thereof; FIG. 4 is a right side plan view thereof; FIG. 5 is a left side plan view thereof; FIG. 6 is a bottom plan view thereof; and, FIG. 7 is a rear plan view thereof.

1 Claim, 4 Drawing Sheets



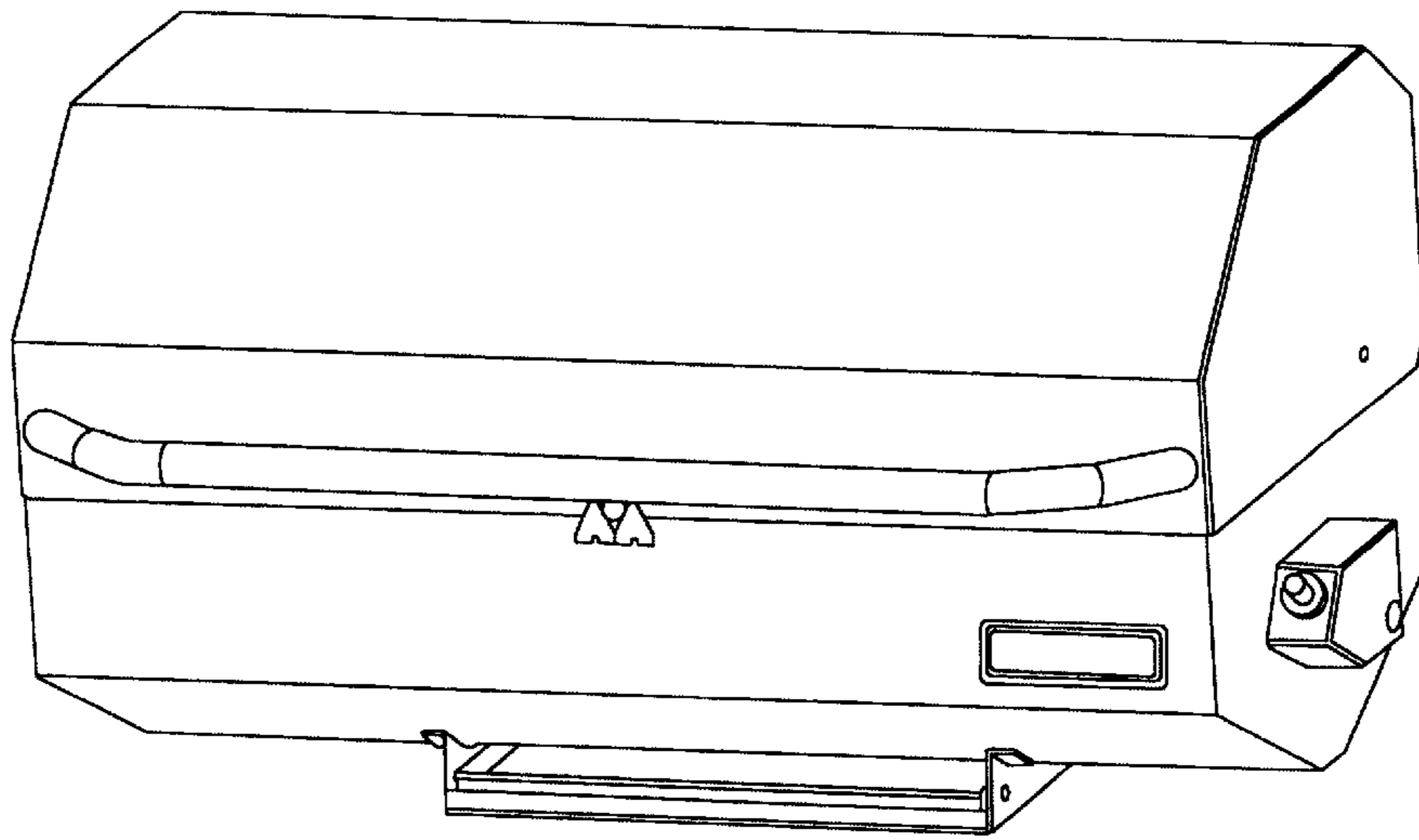


FIG. 1

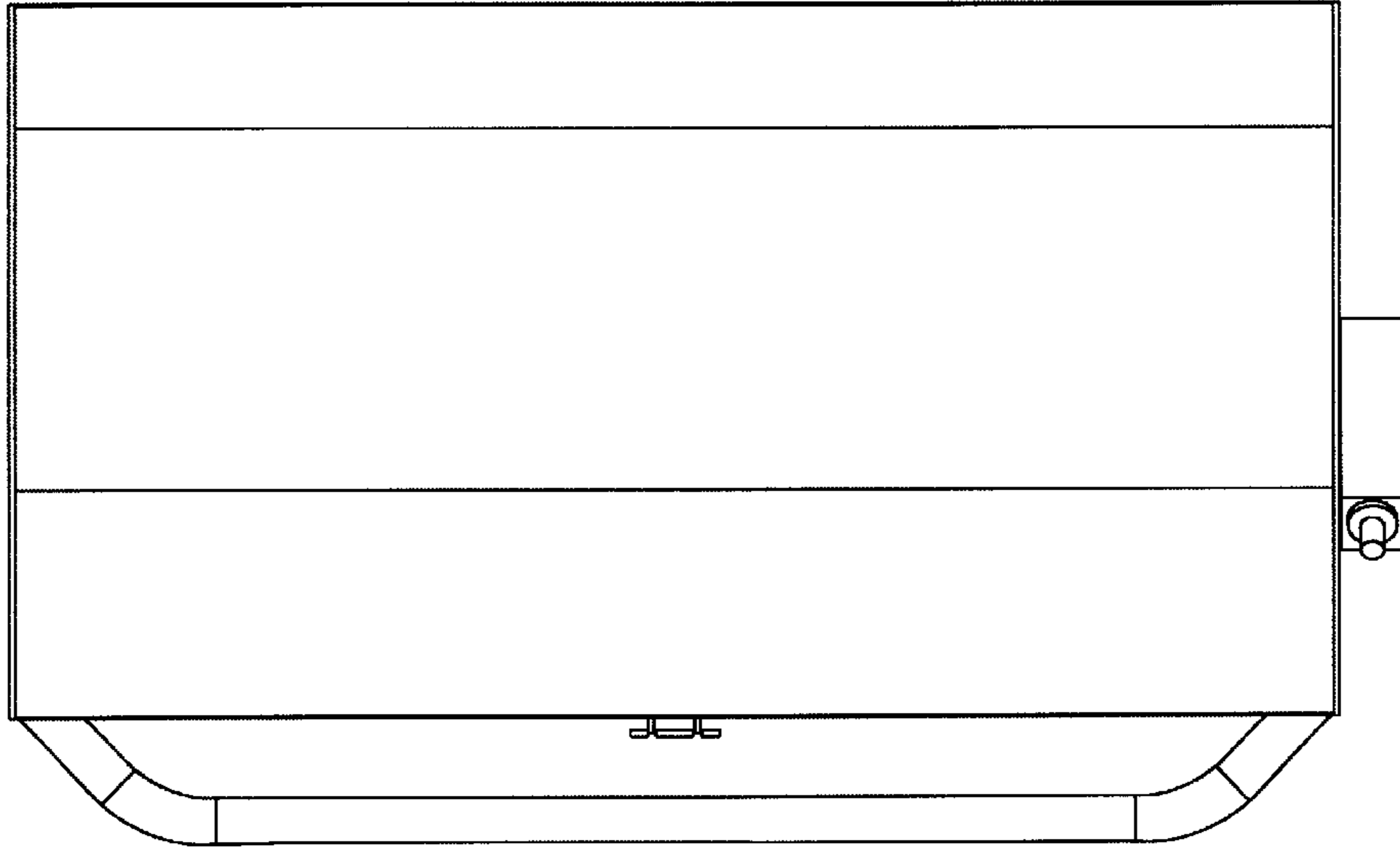


FIG. 2

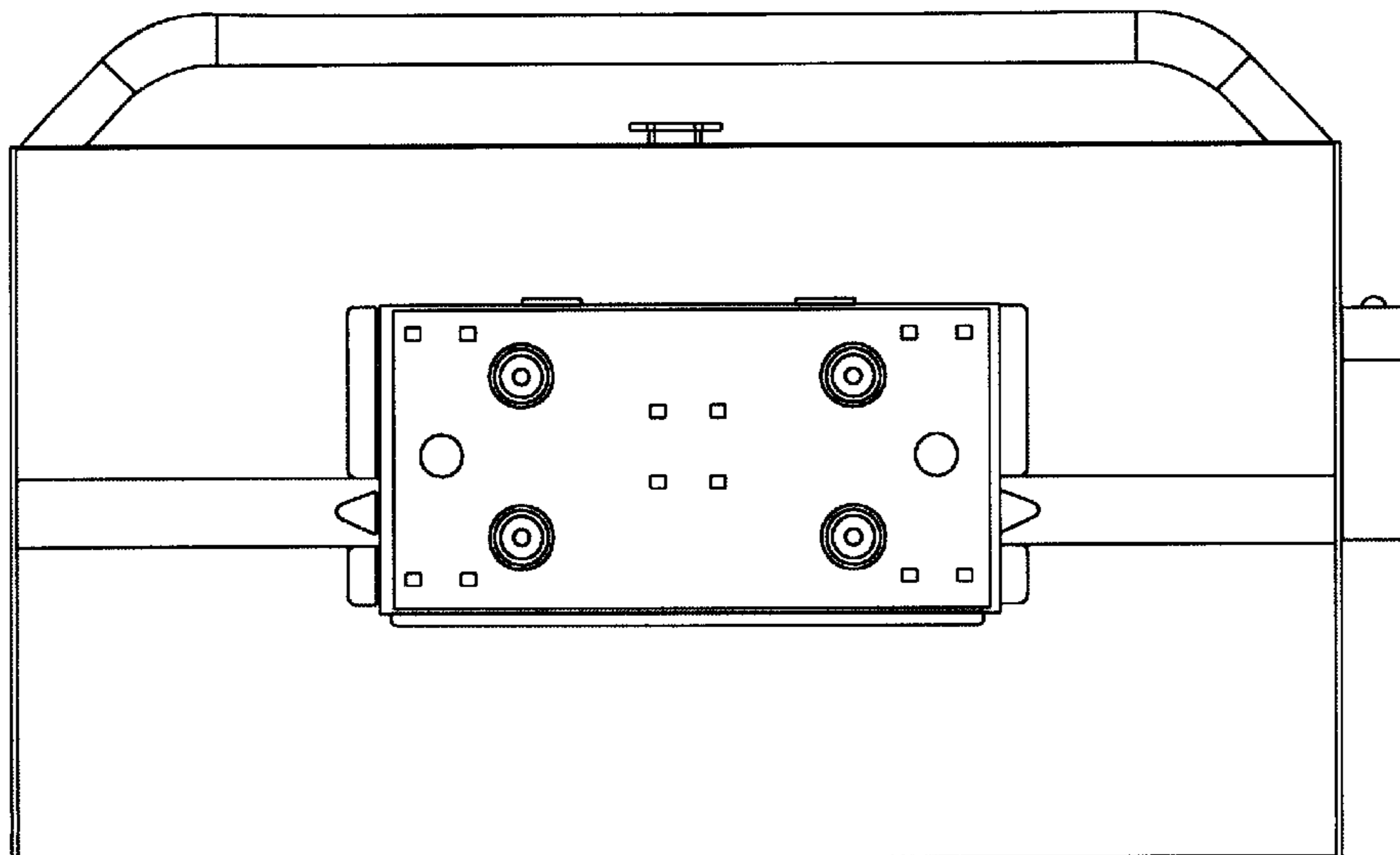


FIG. 6

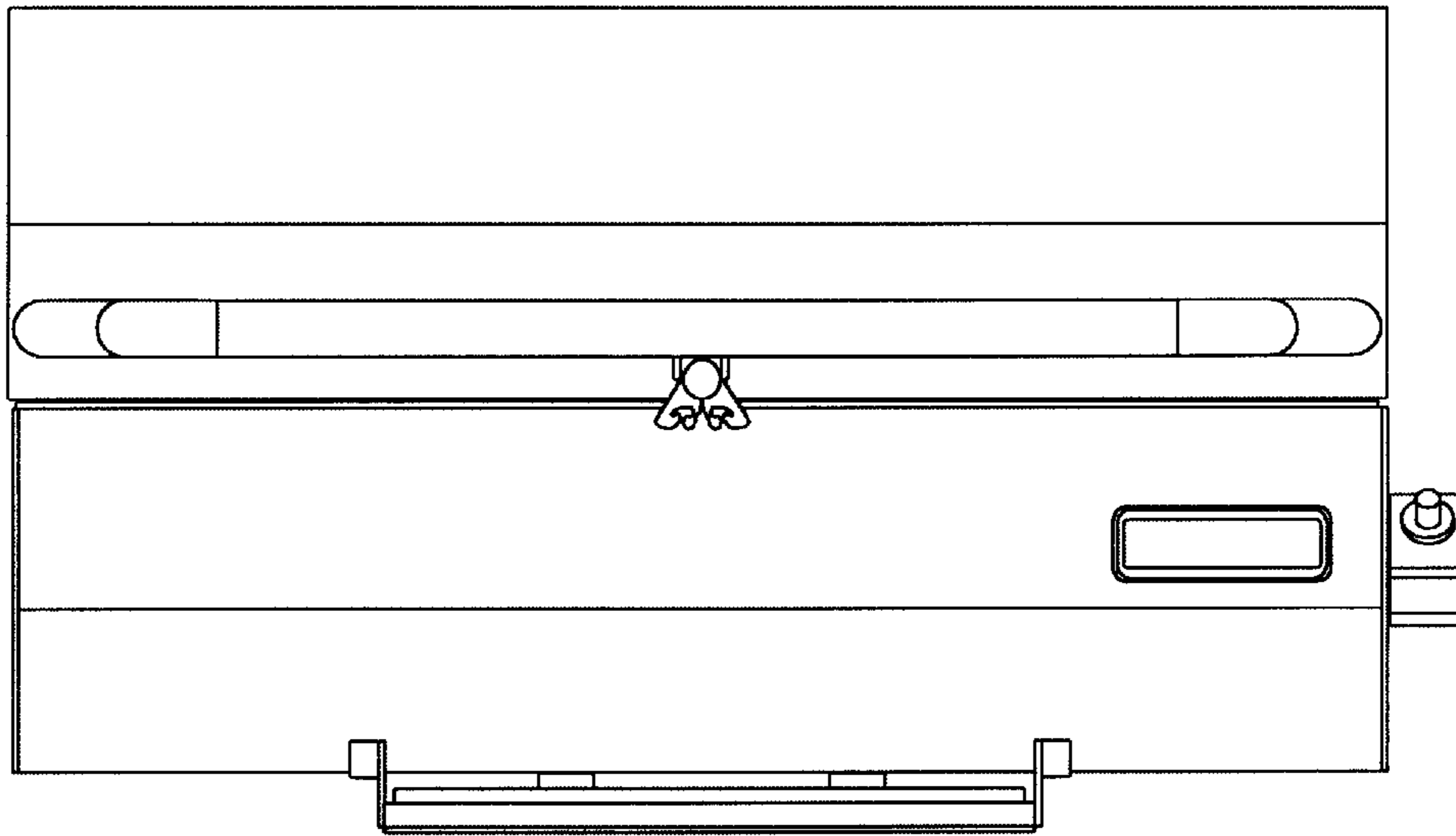


FIG. 3

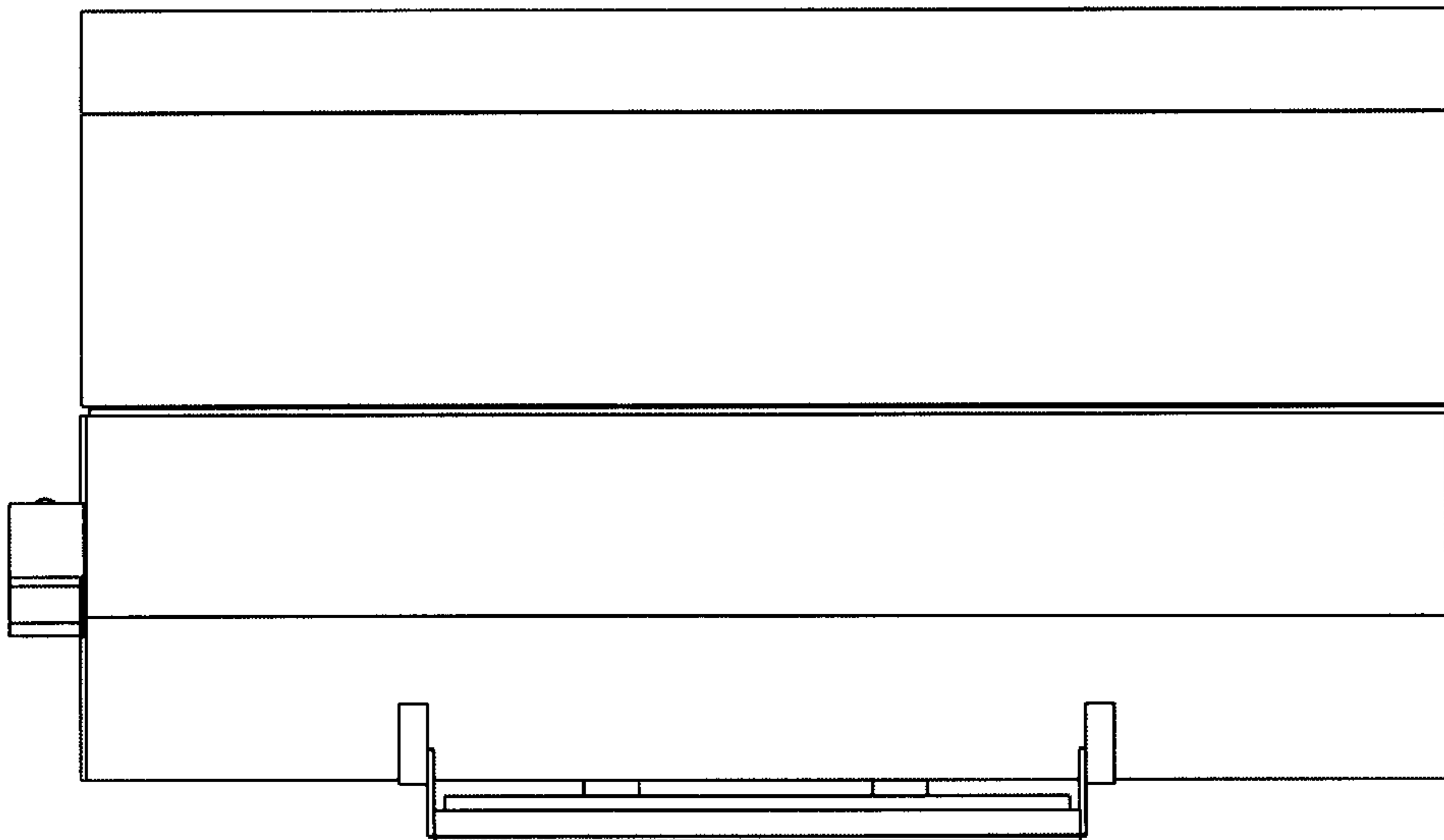


FIG. 7

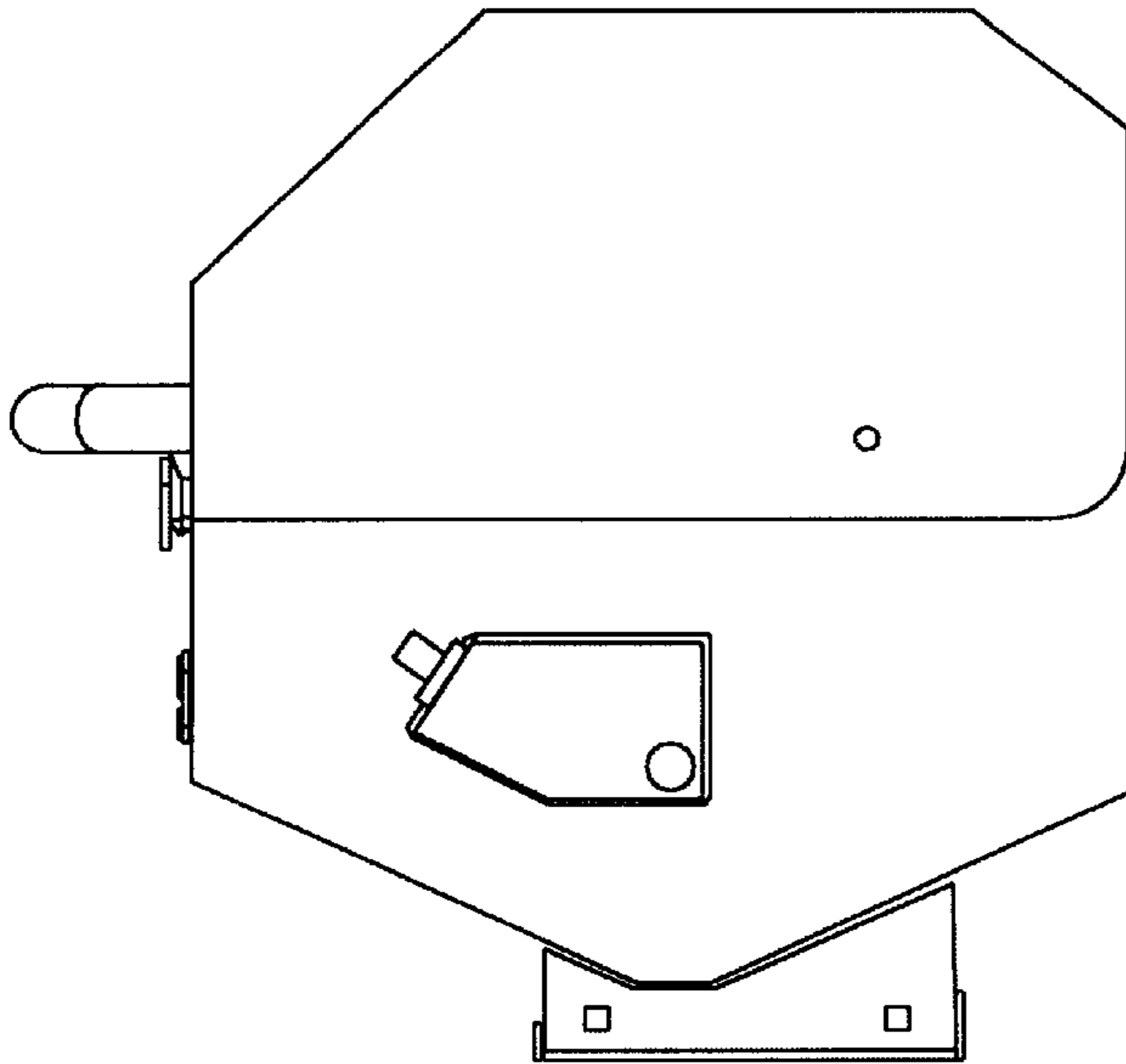


FIG. 4

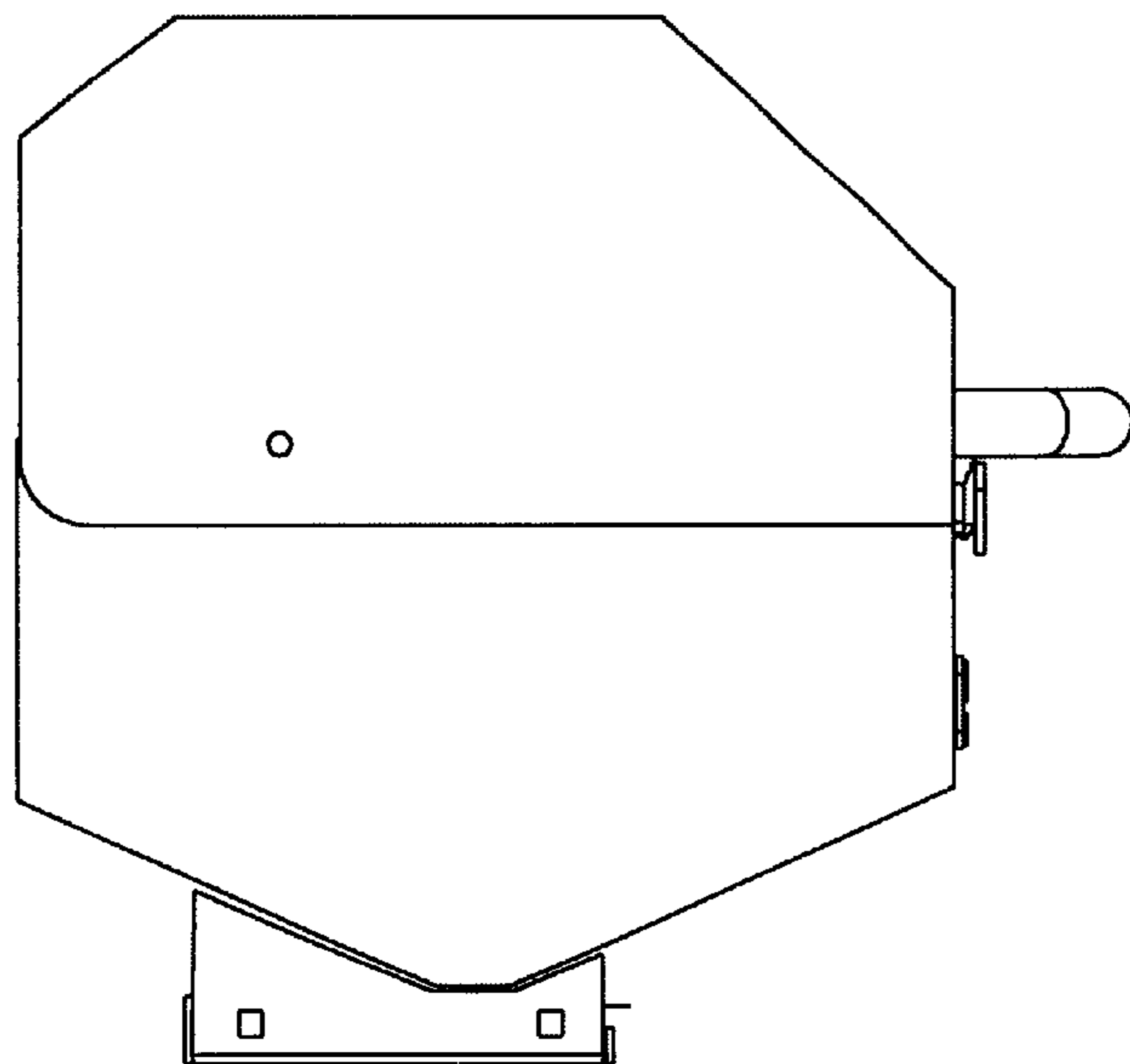


FIG. 5