



US00D535134S

(12) **United States Design Patent**
Muller

(10) **Patent No.:** **US D535,134 S**

(45) **Date of Patent:** **** Jan. 16, 2007**

(54) **SEAT FRAME**

(75) Inventor: **Carl A. Muller**, Huntington Beach, CA
(US)

(73) Assignee: **Elite Manufacturing Corporation**,
Santa Fe Springs, CA (US)

(**) Term: **14 Years**

(21) Appl. No.: **29/214,682**

(22) Filed: **Oct. 7, 2004**

(51) **LOC (8) Cl.** **06-01**

(52) **U.S. Cl.** **D6/502; D6/360**

(58) **Field of Classification Search** D6/334-335,
D6/356, 360, 364, 365, 370, 372, 373, 374,
D6/375, 379, 380, 500-502; 297/411.44,
297/445.1, 451.4, 461, 452.63

See application file for complete search history.

(56) **References Cited**

U.S. PATENT DOCUMENTS

D158,510 S	*	5/1950	Saارين	D6/374
D174,472 S	*	4/1955	Roth	D6/374
D184,820 S	*	4/1959	Leistikow	D6/379
D192,800 S	*	5/1962	Munson	D6/374
D210,772 S	*	4/1968	Smith	D6/356
D213,683 S	*	4/1969	Leistikow	D6/374
D215,429 S	*	9/1969	Sickler	D6/360
D298,987 S	*	12/1988	Tiffany	D6/360
D333,576 S	*	3/1993	Burdick et al.	D6/379
D344,196 S	*	2/1994	Snodgrass et al.	D6/380
D346,707 S	*	5/1994	Soto Martinez	D6/379

D349,196 S	*	8/1994	Lohmeyer	D6/379
D350,242 S	*	9/1994	Lohmeyer	D6/380
D409,409 S	*	5/1999	Muller	D6/380
D449,456 S	*	10/2001	Muller	D6/360
D486,313 S	*	2/2004	Manzali	D6/360
D487,982 S	*	4/2004	Lee	D6/360
D487,983 S		4/2004	Muller	D6/360
D489,911 S		5/2004	Muller	D6/360

OTHER PUBLICATIONS

Muller, "Seat Frame," pending U.S. Appl. No. 29/204,229,
filed Apr. 27, 2004.

* cited by examiner

Primary Examiner—Mimosa De

(74) *Attorney, Agent, or Firm*—Heslin Rothenberg Farley
& Mesiti P.C.

(57) **CLAIM**

The ornamental design for a seat frame, as shown and
described.

DESCRIPTION

FIG. 1 is a perspective view of a seat frame in accordance
with the new design;

FIG. 2 is a front elevational view thereof;

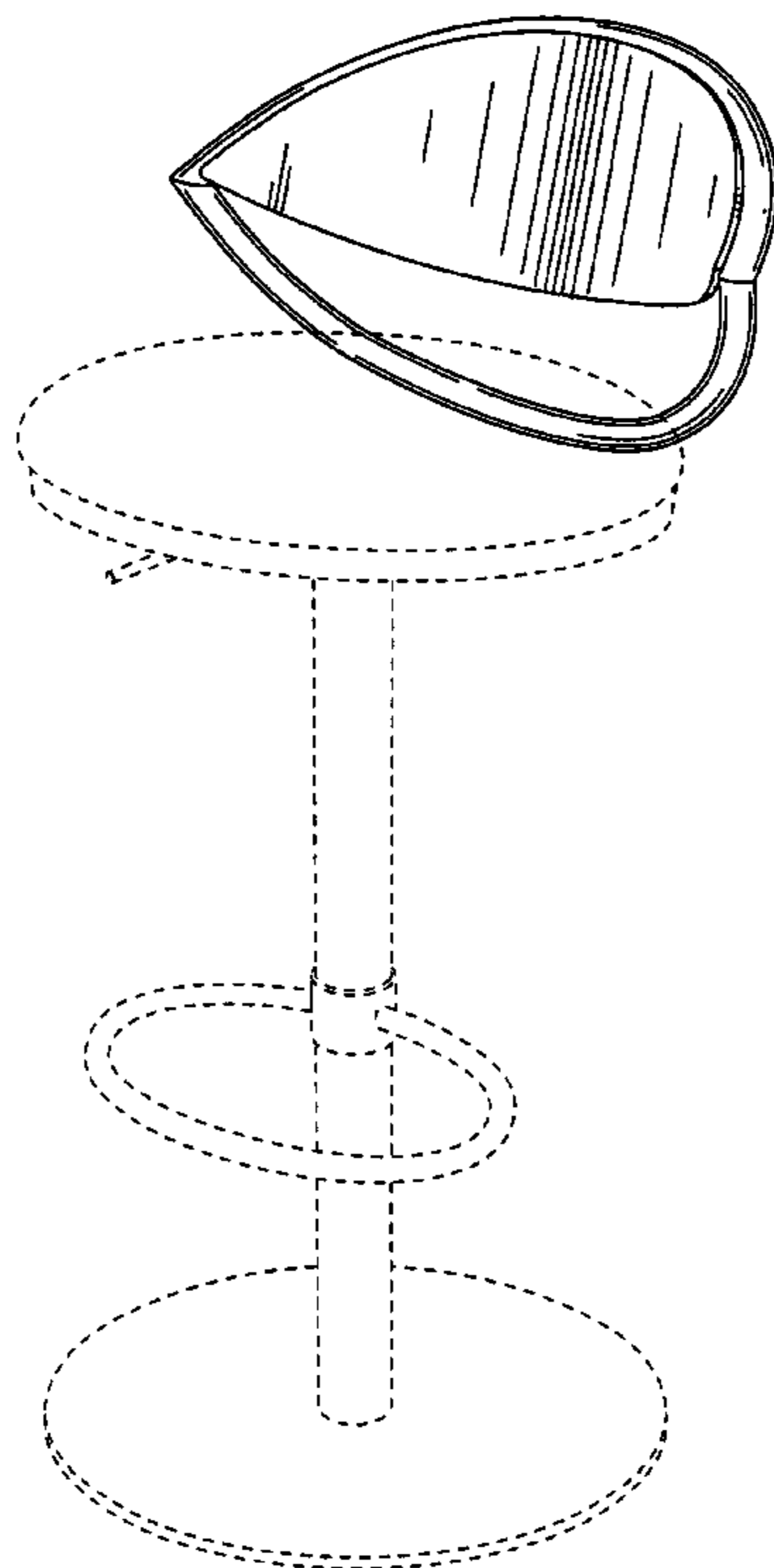
FIG. 3 is a left side elevational view thereof, a right side
elevational view being a mirror image thereof;

FIG. 4 is a rear elevational view thereof; and,

FIG. 5 is a top view thereof.

The broken lines in the figures are for illustrative purposes
only and form no part of the claimed invention.

1 Claim, 5 Drawing Sheets



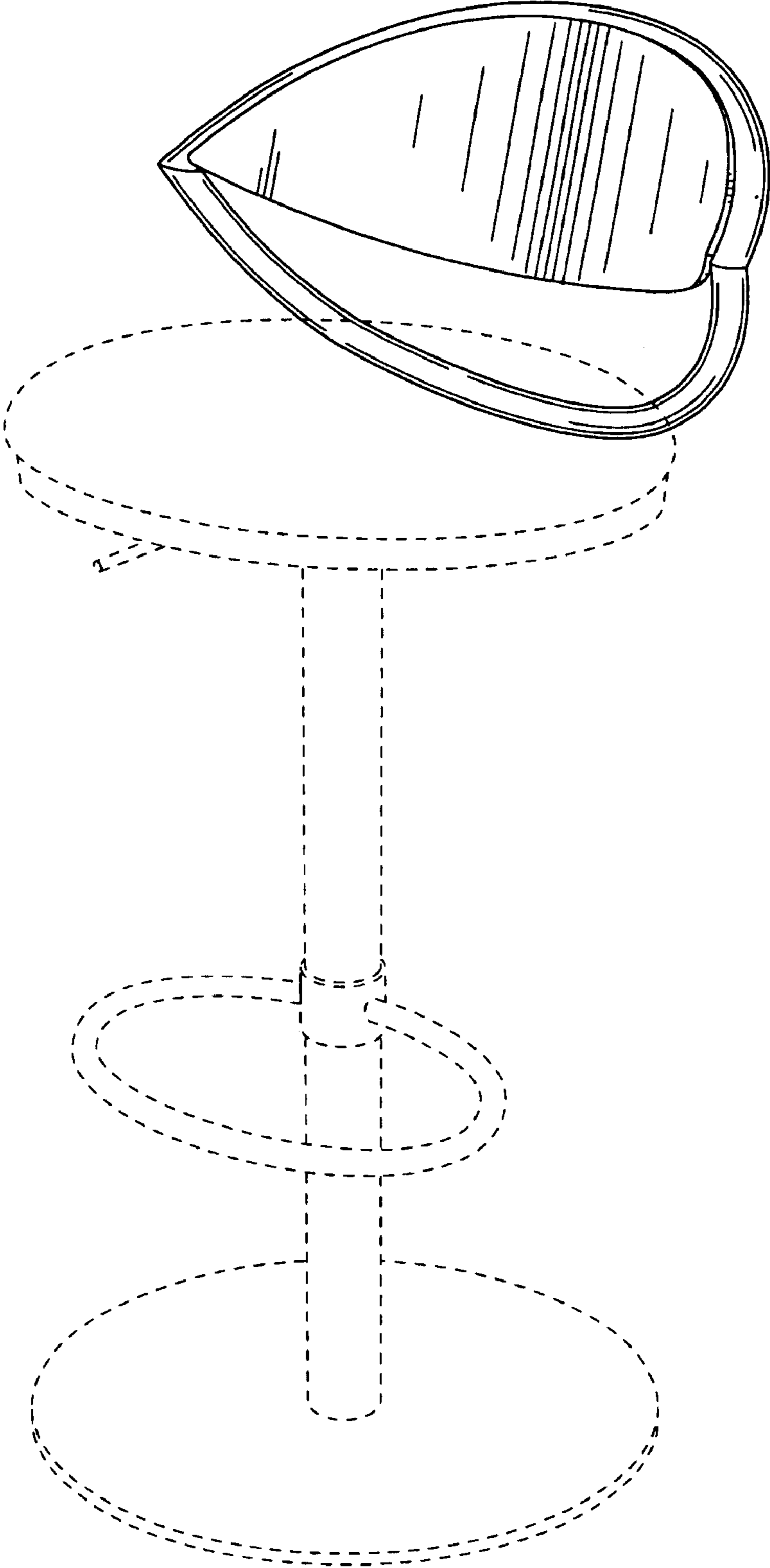


FIG. 1

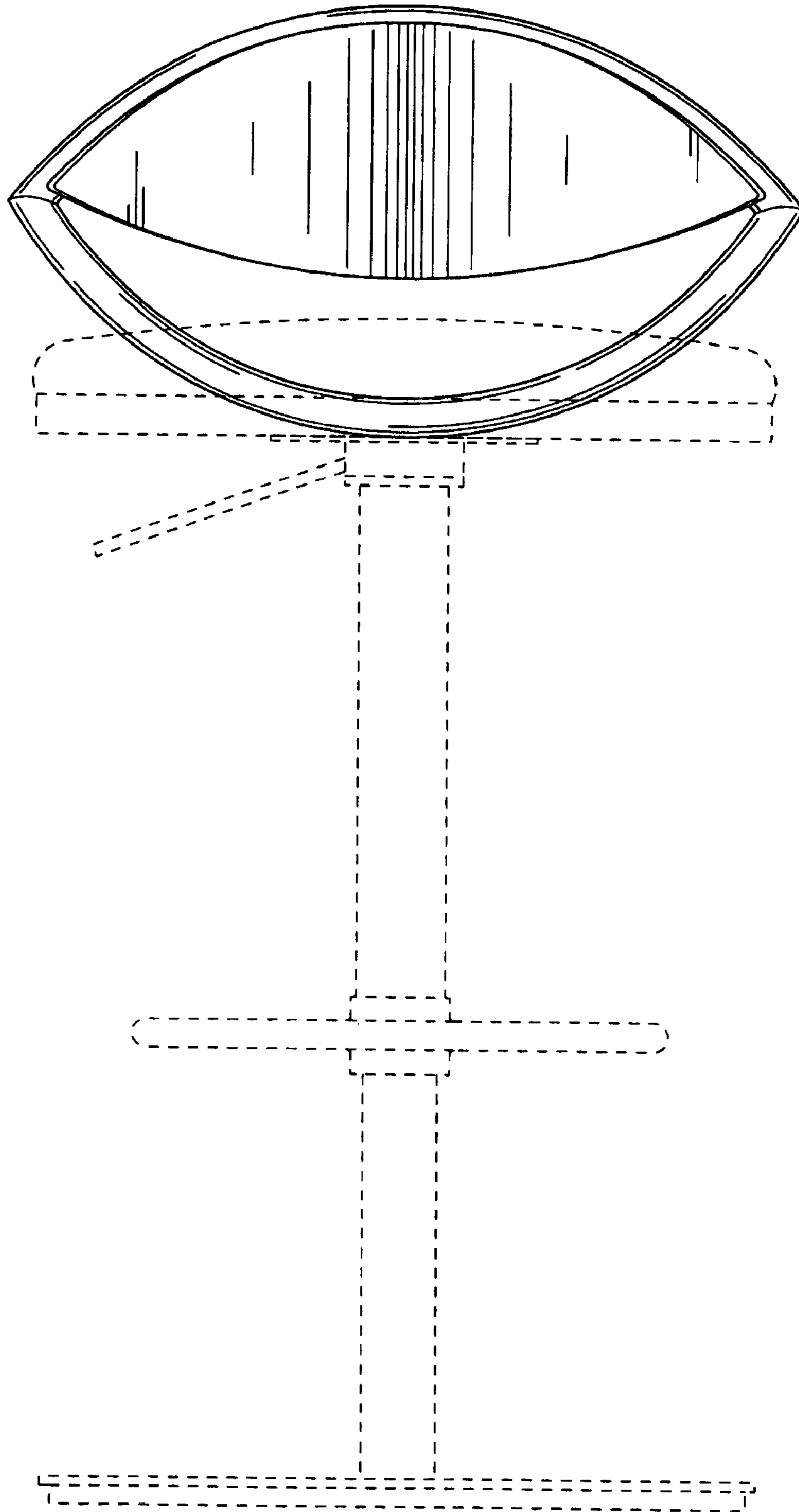


FIG. 2

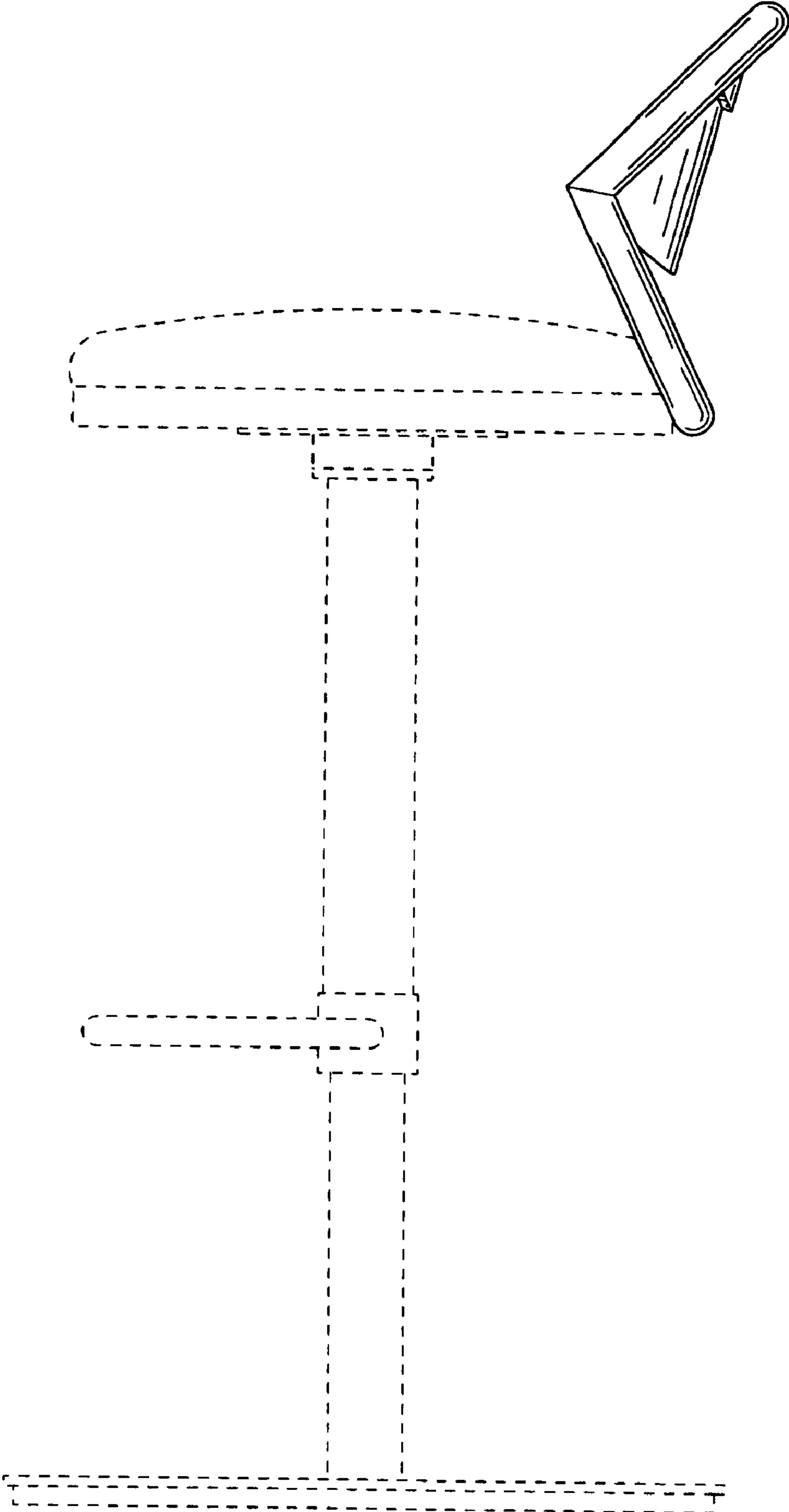


FIG. 3

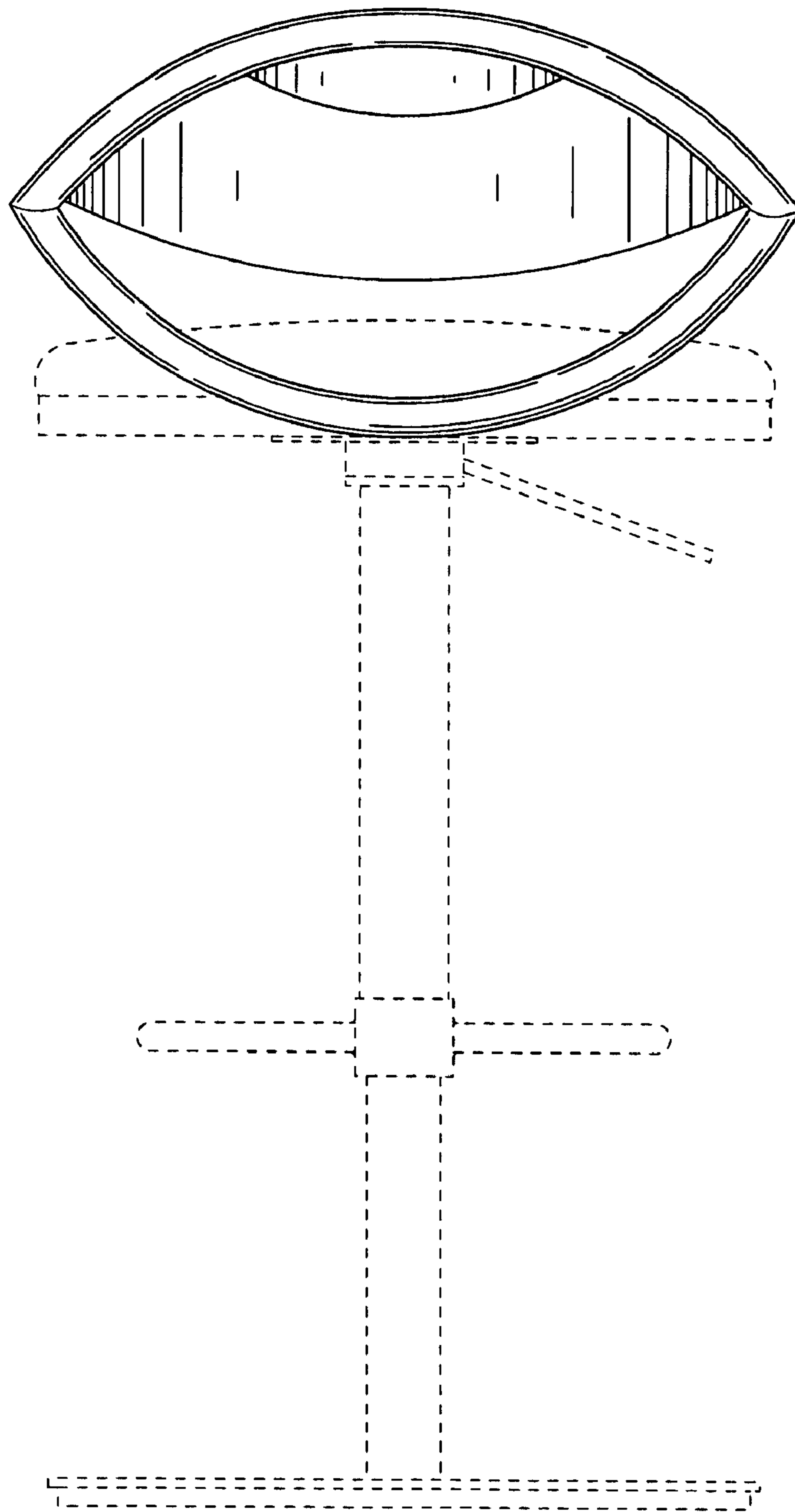


FIG. 4

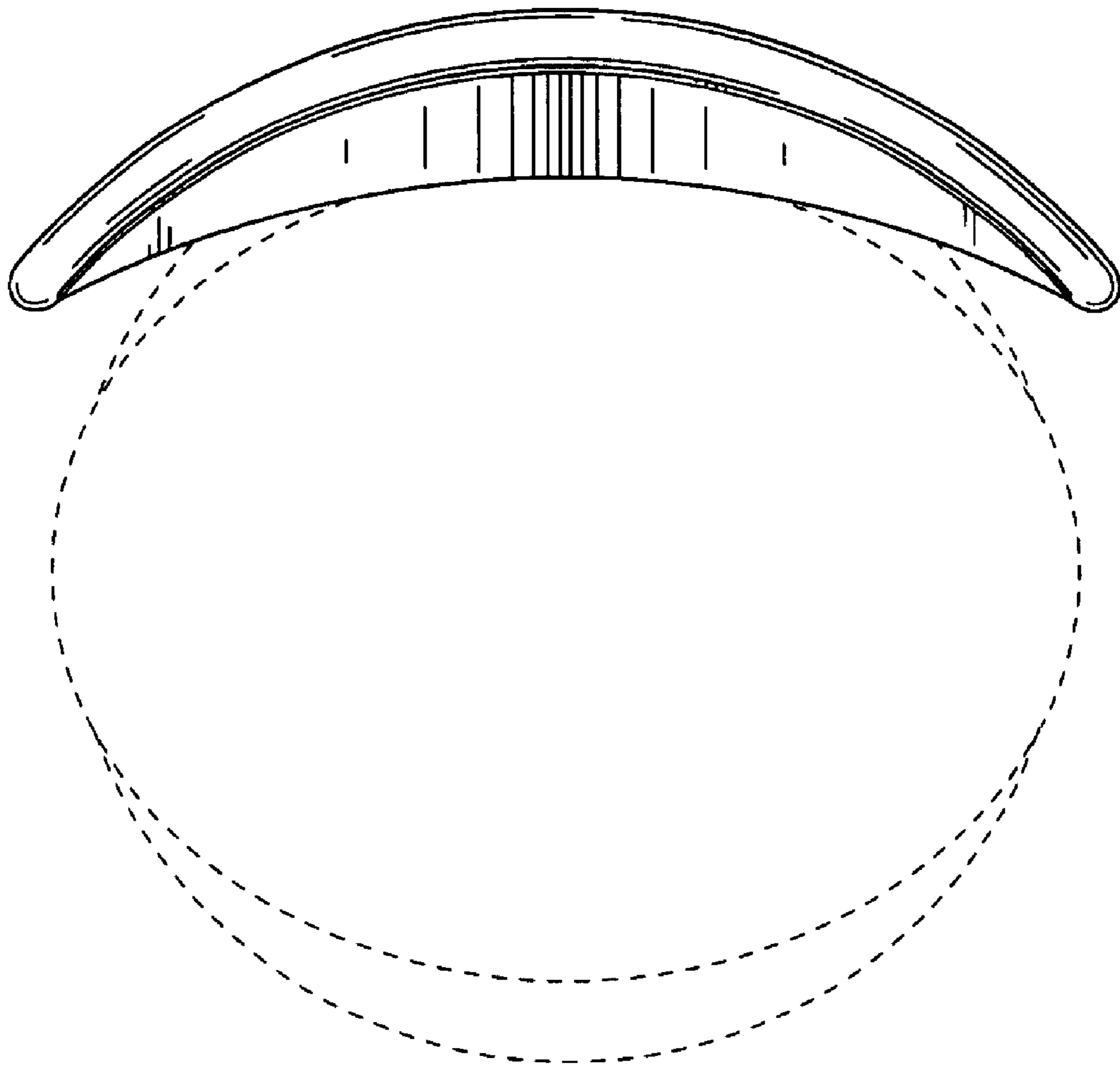


FIG. 5