



US00D535131S

(12) **United States Design Patent** (10) **Patent No.:** **US D535,131 S**
Loew et al. (45) **Date of Patent:** **** Jan. 16, 2007**

(54) **ARMREST**

(75) Inventors: **Glen Oliver Loew**, Hamburg (DE);
Bruce M. Smith, Grand Rapids, MI (US)

(73) Assignee: **Steelcase Development Corporation**,
Caledonia, MI (US)

(**) Term: **14 Years**

(21) Appl. No.: **29/232,586**

(22) Filed: **Jun. 21, 2005**

(51) **LOC (8) Cl.** **06-06**

(52) **U.S. Cl.** **D6/501; D6/366**

(58) **Field of Classification Search** D6/334-335,
D6/364, 365, 366, 367, 368, 374, 500-502;
297/411.2, 411.27, 411.36

See application file for complete search history.

(56) **References Cited**

U.S. PATENT DOCUMENTS

D372,595 S	*	8/1996	Schultz et al.	D6/366
D382,149 S		8/1997	Pimental et al.	
5,871,258 A		2/1999	Batley et al.	
D436,259 S	*	1/2001	Nagamitsu	D6/366
D442,790 S	*	5/2001	Simons et al.	D6/366
D442,791 S	*	5/2001	Simons et al.	D6/366
D445,580 S	*	7/2001	Pennington et al.	D6/366
6,302,486 B1		10/2001	Lamart	
D450,958 S	*	11/2001	Beaulieu	D6/501
D468,564 S	*	1/2003	Piretti et al.	D6/500
D487,641 S	*	3/2004	James	D6/366
D490,621 S	*	6/2004	Newhouse	D6/366
D505,579 S	*	5/2005	Koepke et al.	D6/501
D505,815 S	*	6/2005	Grove	D6/501
D507,908 S	*	8/2005	Koepke et al.	D6/501
2003/0227208 A1	*	12/2003	Burwell et al.	297/411.2

OTHER PUBLICATIONS

Exhibit A is a brochure disclosing several chairs including a side chair in prior art called the Jersey chair, made by Steelcase Development Corporation, the assignee of the present application.

Exhibit B is a brochure disclosing several chairs including a side chair in prior art called the Think chair, made by Steelcase Development Corporation, the assignee of the present application.

Exhibit C is a brochure disclosing several chairs including a side chair in prior art called the Leap chair, made by Steelcase Development Corporation, the assignee of the present application.

* cited by examiner

Primary Examiner—Mimosa De

(74) *Attorney, Agent, or Firm*—Price, Heneveld, Cooper, DeWitt & Litton LLP

(57) **CLAIM**

We claim the ornamental design for armrest, as shown and described.

DESCRIPTION

FIG. 1 is a perspective view of an armrest embodying the present invention;

FIG. 2 is a front view of the armrest shown in FIG. 1;

FIG. 3 is a right side view of the armrest shown in FIG. 1;

FIG. 4 is a rear view of the armrest shown in FIG. 1;

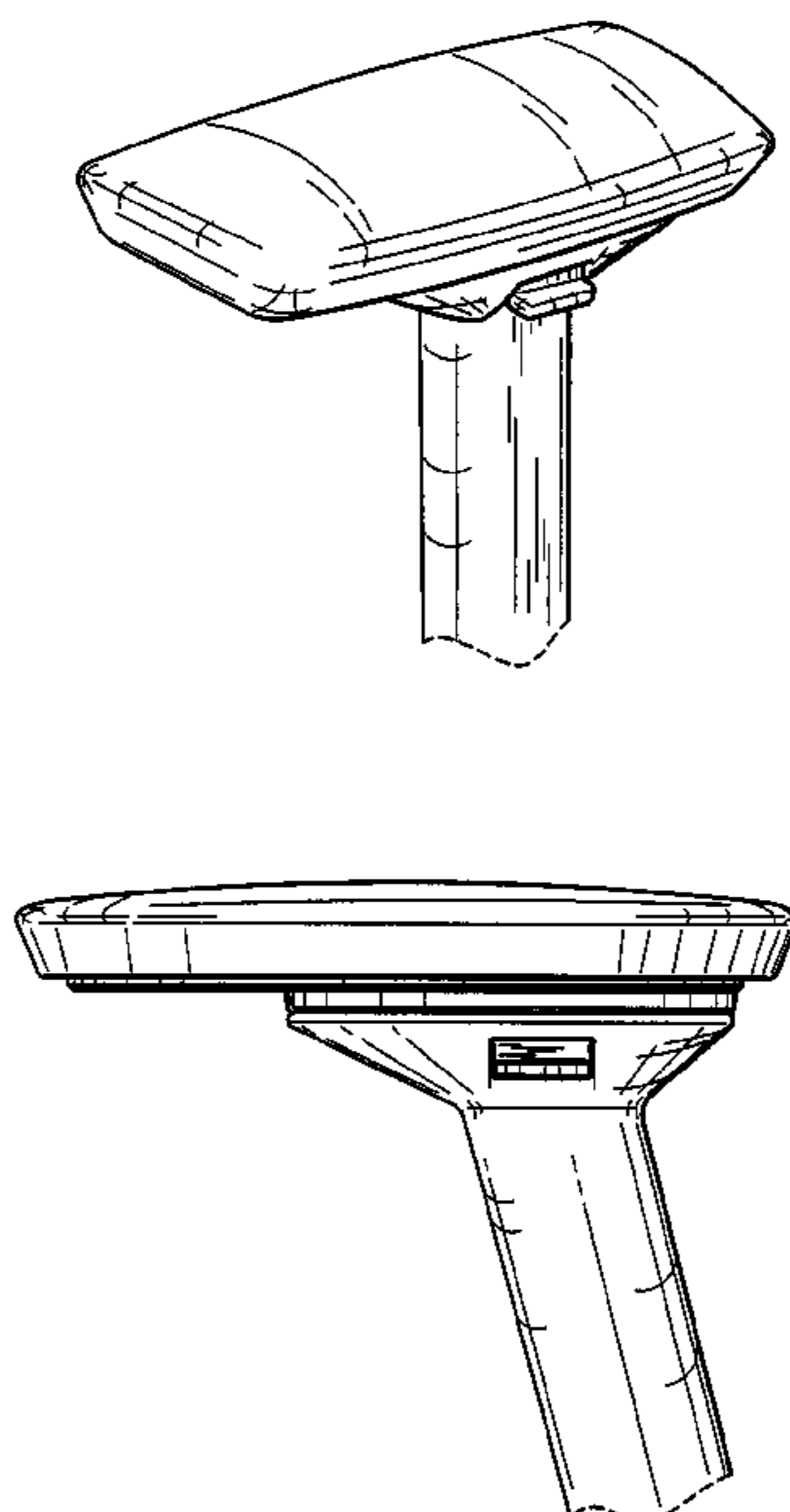
FIG. 5 is a left side view of the armrest shown in FIG. 1;

FIG. 6 is a top view shown in FIG. 1; and,

FIG. 7 is a bottom view shown in FIG. 1.

The dashed lines show environment and are not part of the invention claimed.

1 Claim, 2 Drawing Sheets



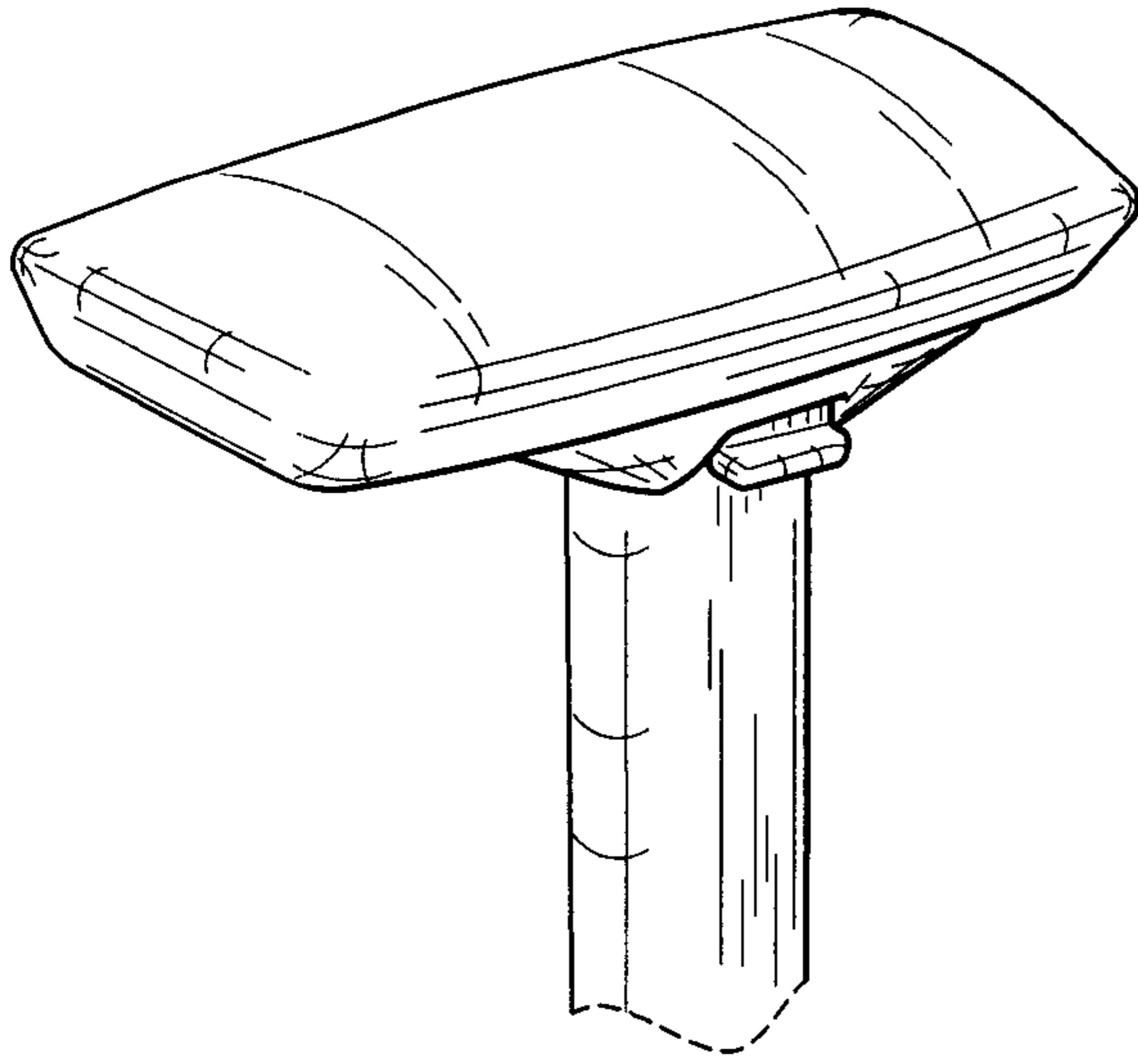


FIG. 1

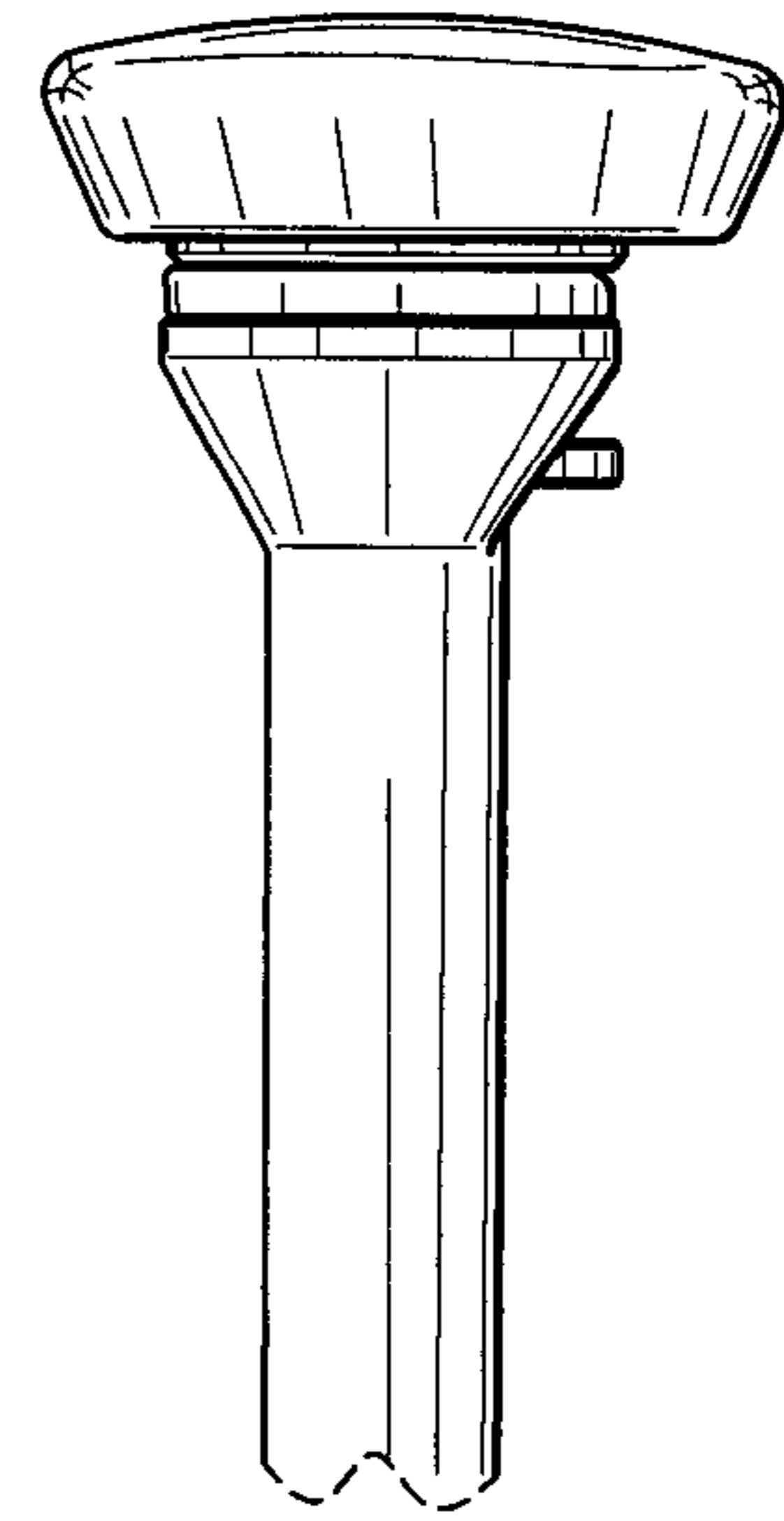


FIG. 2

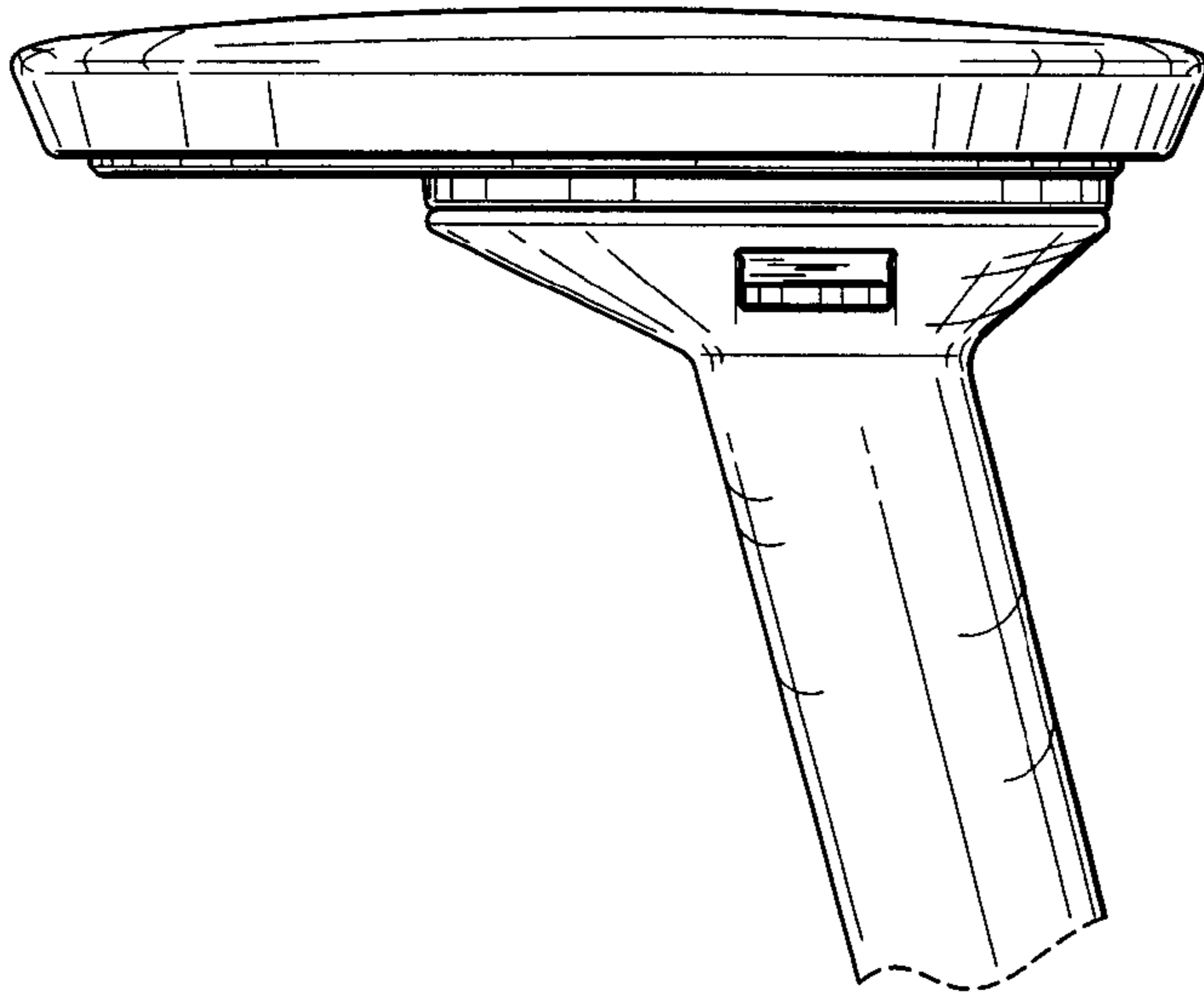


FIG. 3

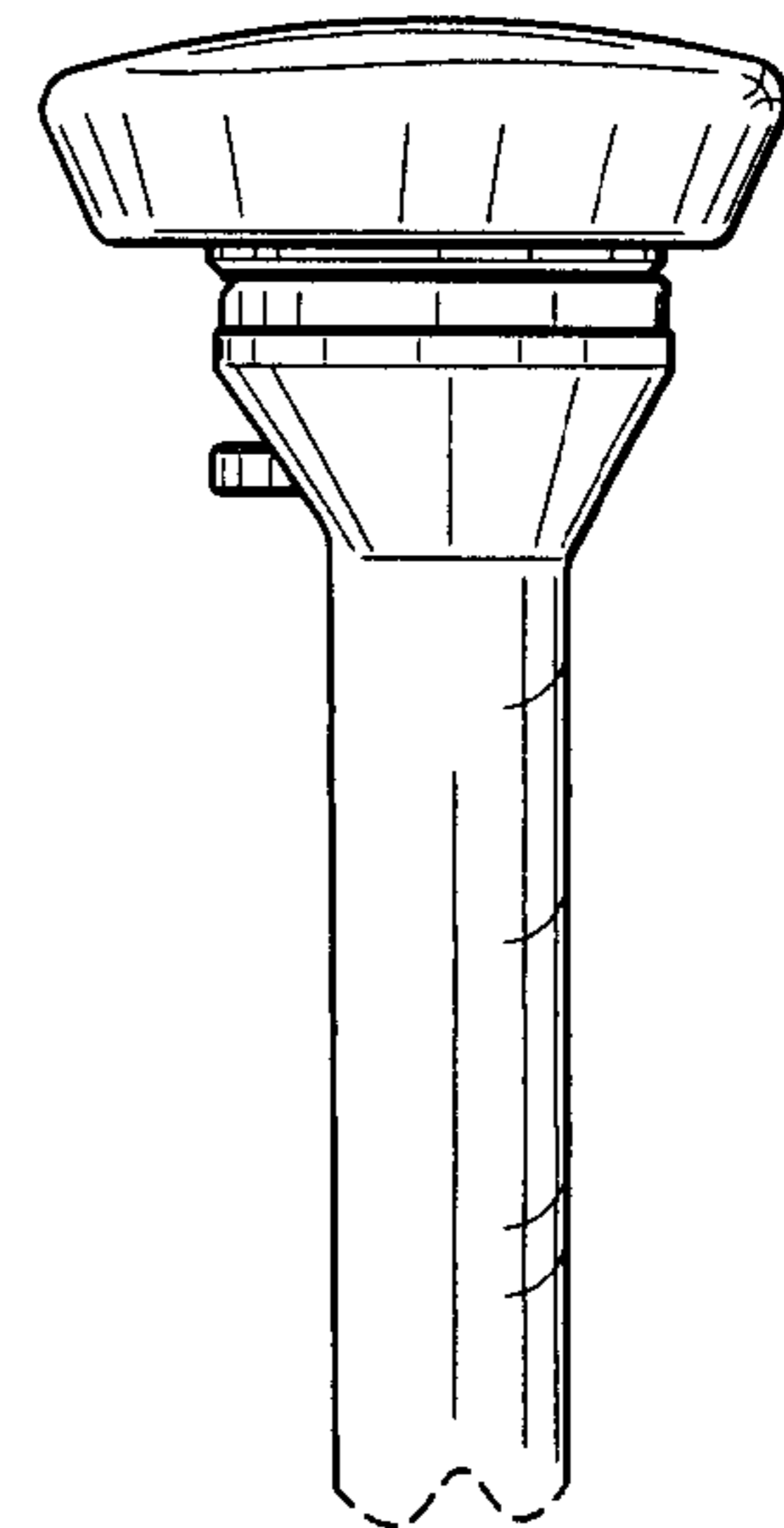


FIG. 4

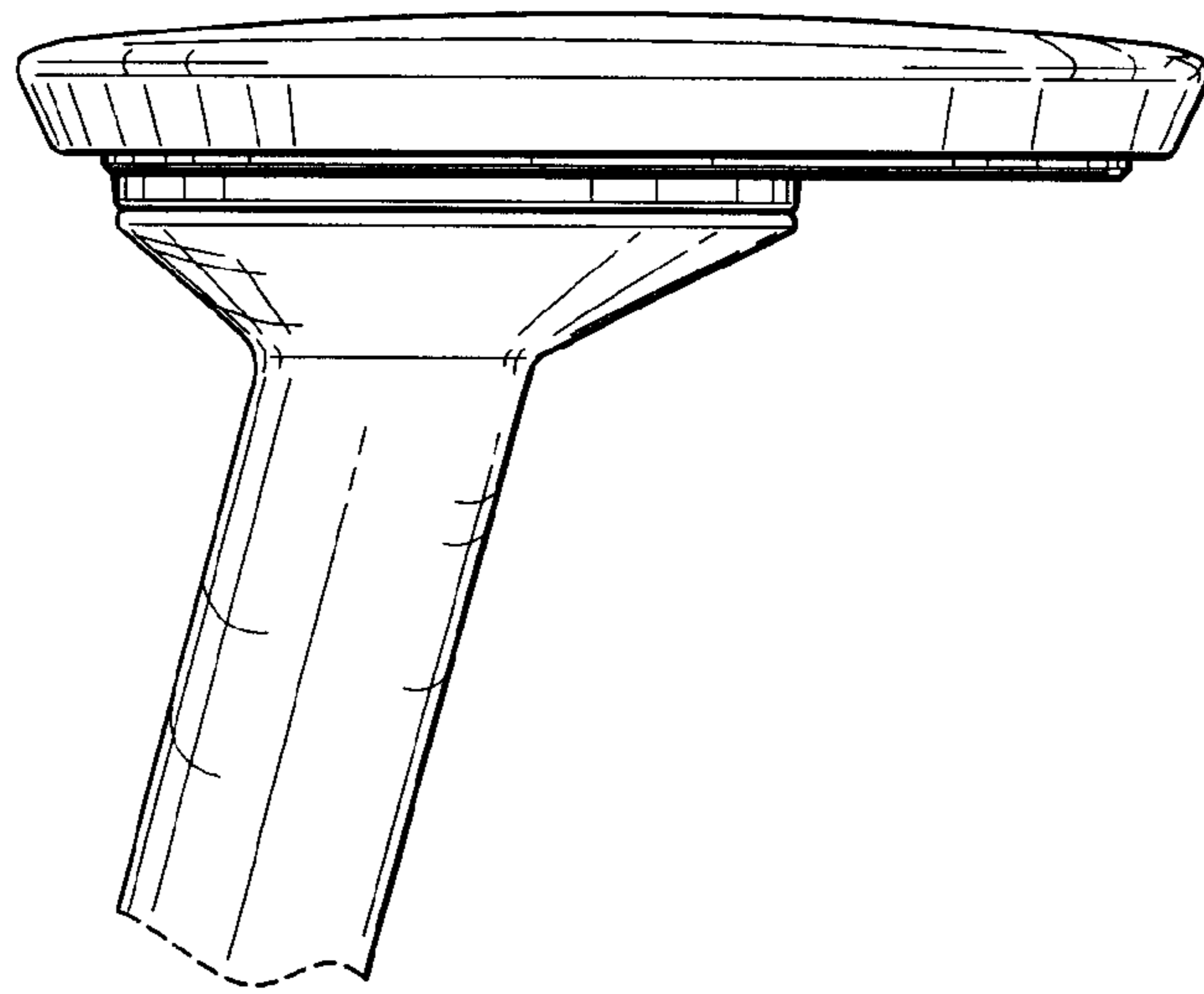


FIG. 5

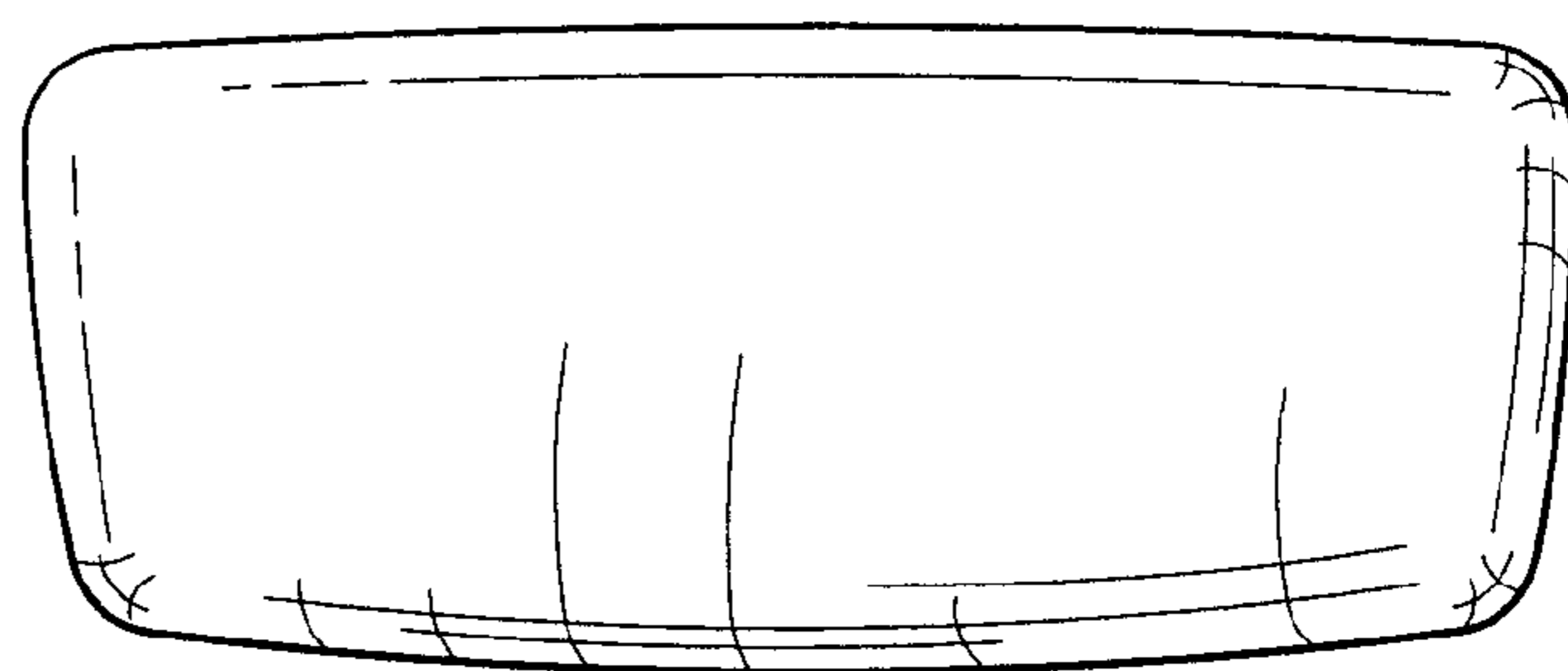


FIG. 6

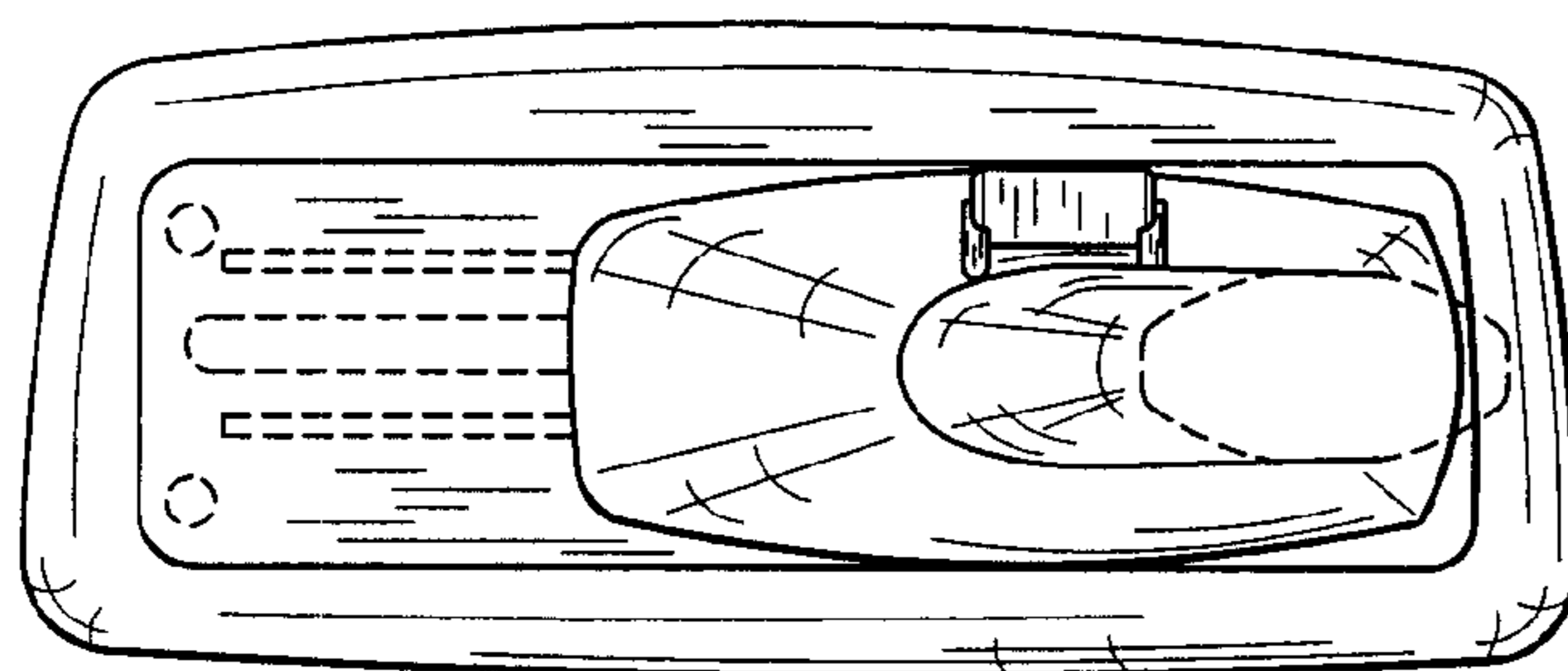


FIG. 7