



US00D535130S

(12) **United States Design Patent**
Egger

(10) **Patent No.:** **US D535,130 S**

(45) **Date of Patent:** **** Jan. 16, 2007**

(54) **CHAIR ARM**

D504,792 S * 5/2005 Egger D6/366
D505,283 S * 5/2005 Egger D6/501
D509,085 S * 9/2005 Egger D6/501

(75) Inventor: **Julien Egger**, Santa Monica, CA (US)

(73) Assignee: **True Seating Concepts, LLC** (MU)

(**) Term: **14 Years**

* cited by examiner

Primary Examiner—Mimosa De

(74) *Attorney, Agent, or Firm*—Morland C. Fischer

(21) Appl. No.: **29/229,265**

(57) **CLAIM**

(22) Filed: **May 6, 2005**

The ornamental design for a chair arm, as shown and described.

(51) **LOC (8) Cl.** **06-06**

(52) **U.S. Cl.** **D6/501; D6/366**

(58) **Field of Classification Search** D6/334-335,
D6/364, 365, 366, 367, 368, 374, 500-502;
297/411.2, 411.27, 411.28, 463.1

See application file for complete search history.

DESCRIPTION

FIG. 1 is a perspective view showing a chair arm which forms my new design, the broken lines of a chair being for illustrative purposes only and forming no part of my design; FIG. 2 is a left side elevational view thereof; FIG. 3 is a top plan view thereof; FIG. 4 is a right side elevational view thereof; FIG. 5 is a bottom plan view thereof; FIG. 6 is a front elevational view; FIG. 7 is a rear elevational view thereof; and, FIG. 8 is a perspective view showing the top, left side and front thereof.

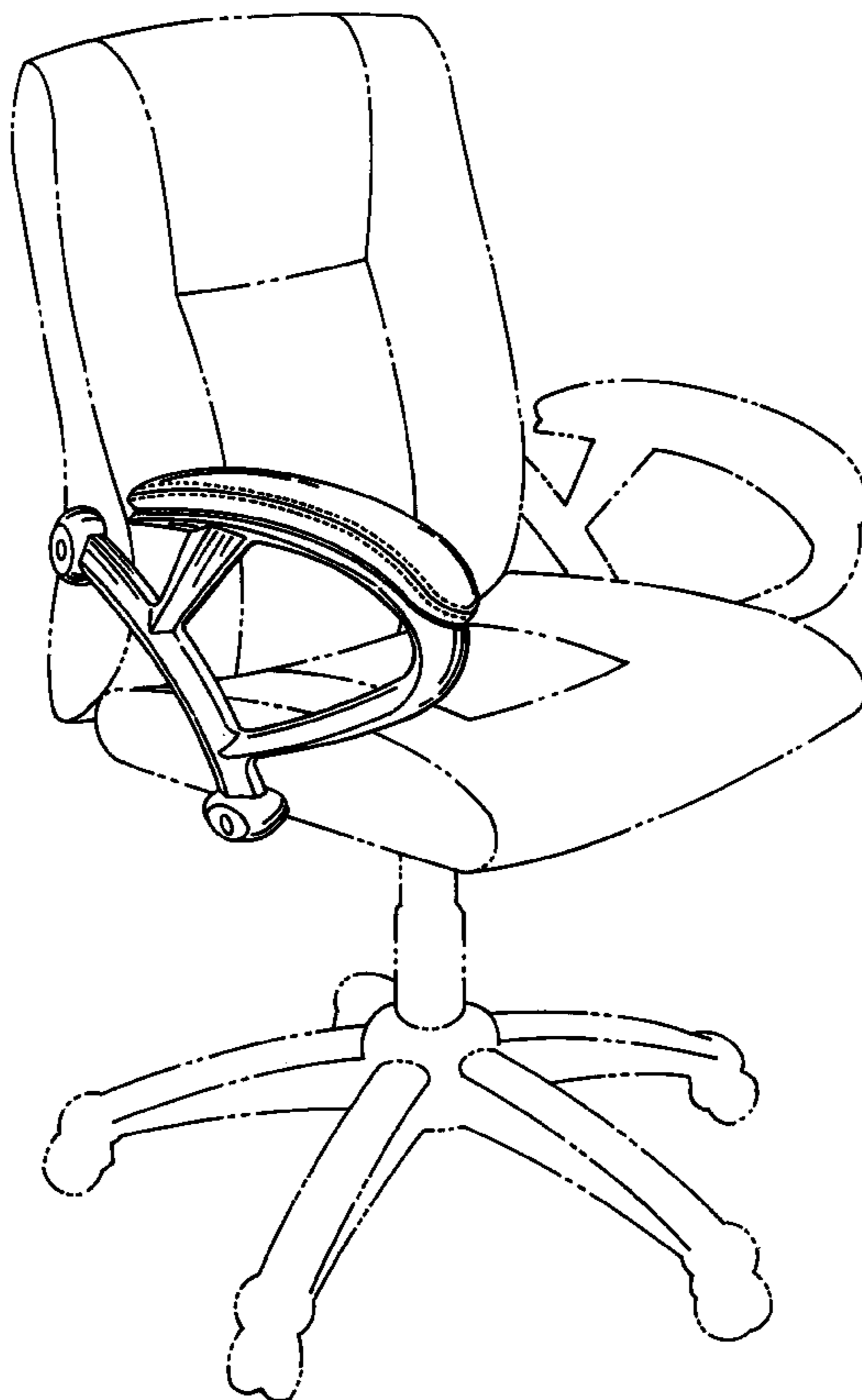
The short broken lines shown on the chair arm in FIGS. 1 through 8 are understood to represent stitching.

(56) **References Cited**

U.S. PATENT DOCUMENTS

D393,384 S	*	4/1998	Tedesco et al.	D6/501
D435,747 S	*	1/2001	Ho-Tsai et al.	D6/366
D442,401 S	*	5/2001	Su	D6/501
D444,327 S	*	7/2001	Tseng	D6/501
D460,644 S	*	7/2002	Tsai	D6/366
D463,176 S	*	9/2002	Chi	D6/501
D474,052 S		5/2003	True		
D491,758 S		6/2004	True		
D500,614 S	*	1/2005	Chen	D6/501

1 Claim, 4 Drawing Sheets



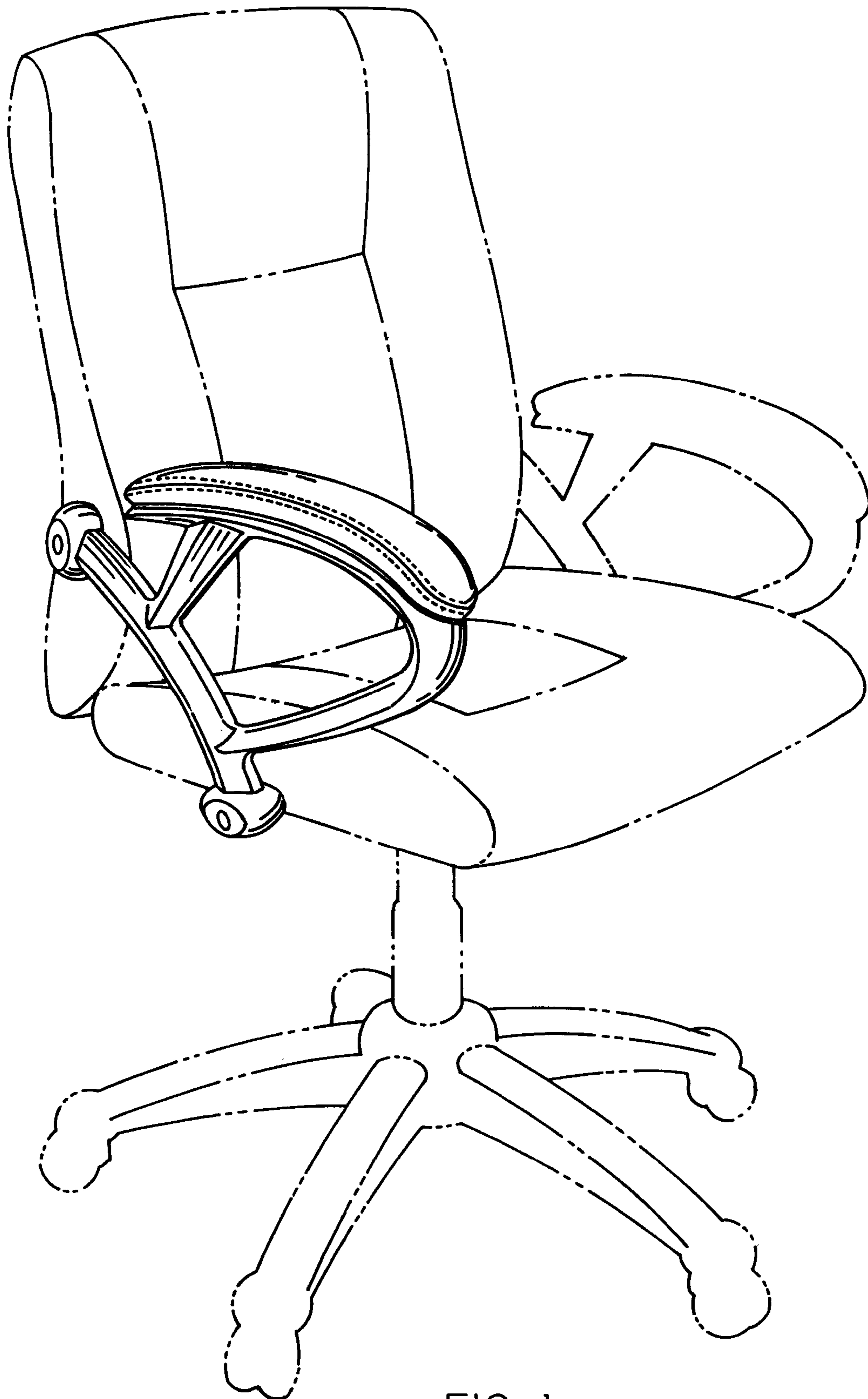


FIG. 1

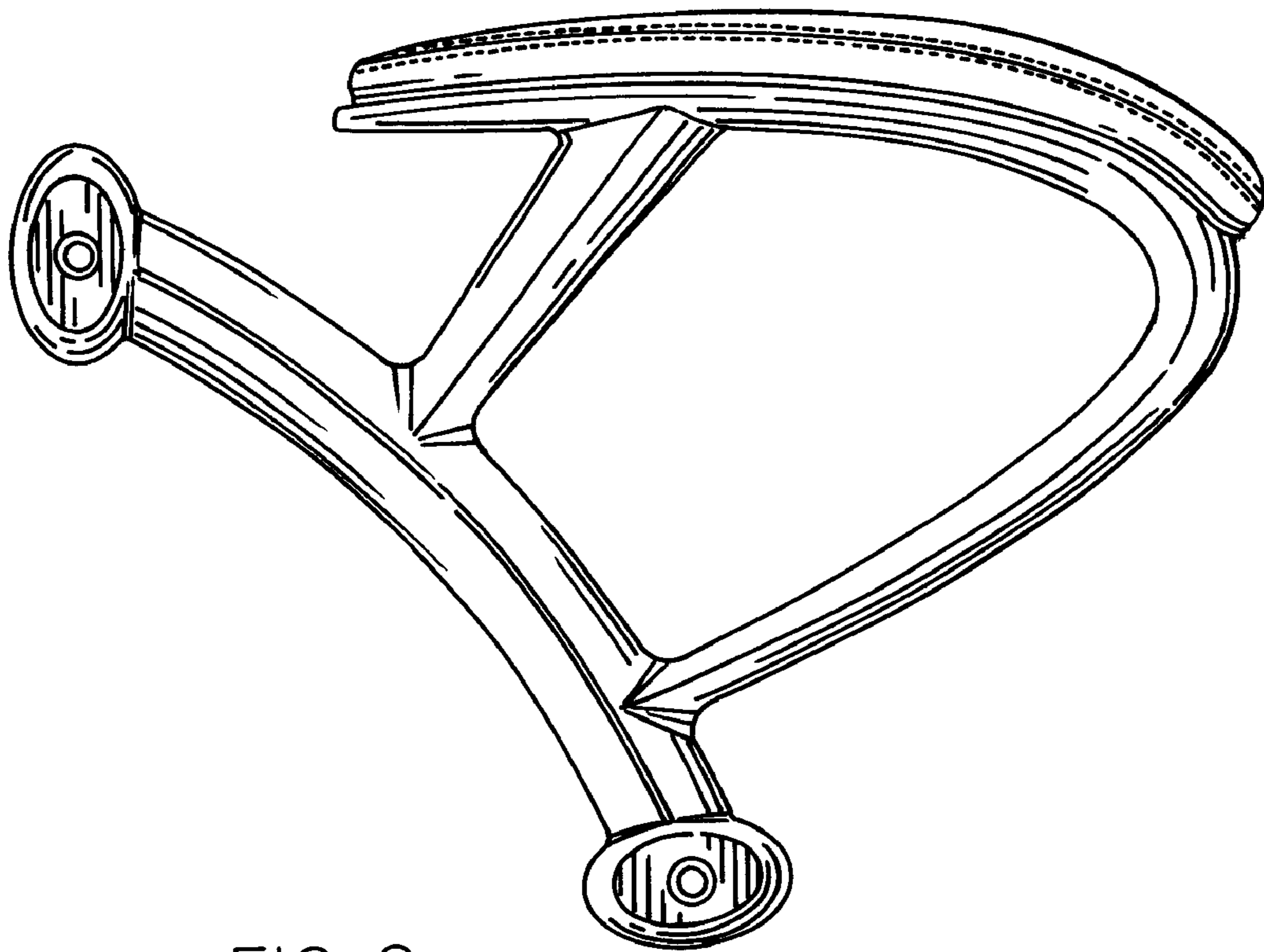


FIG. 2

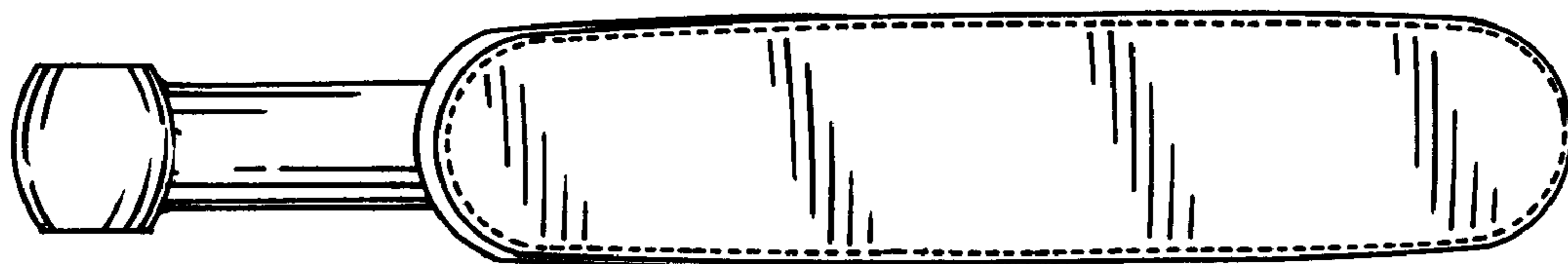


FIG. 3

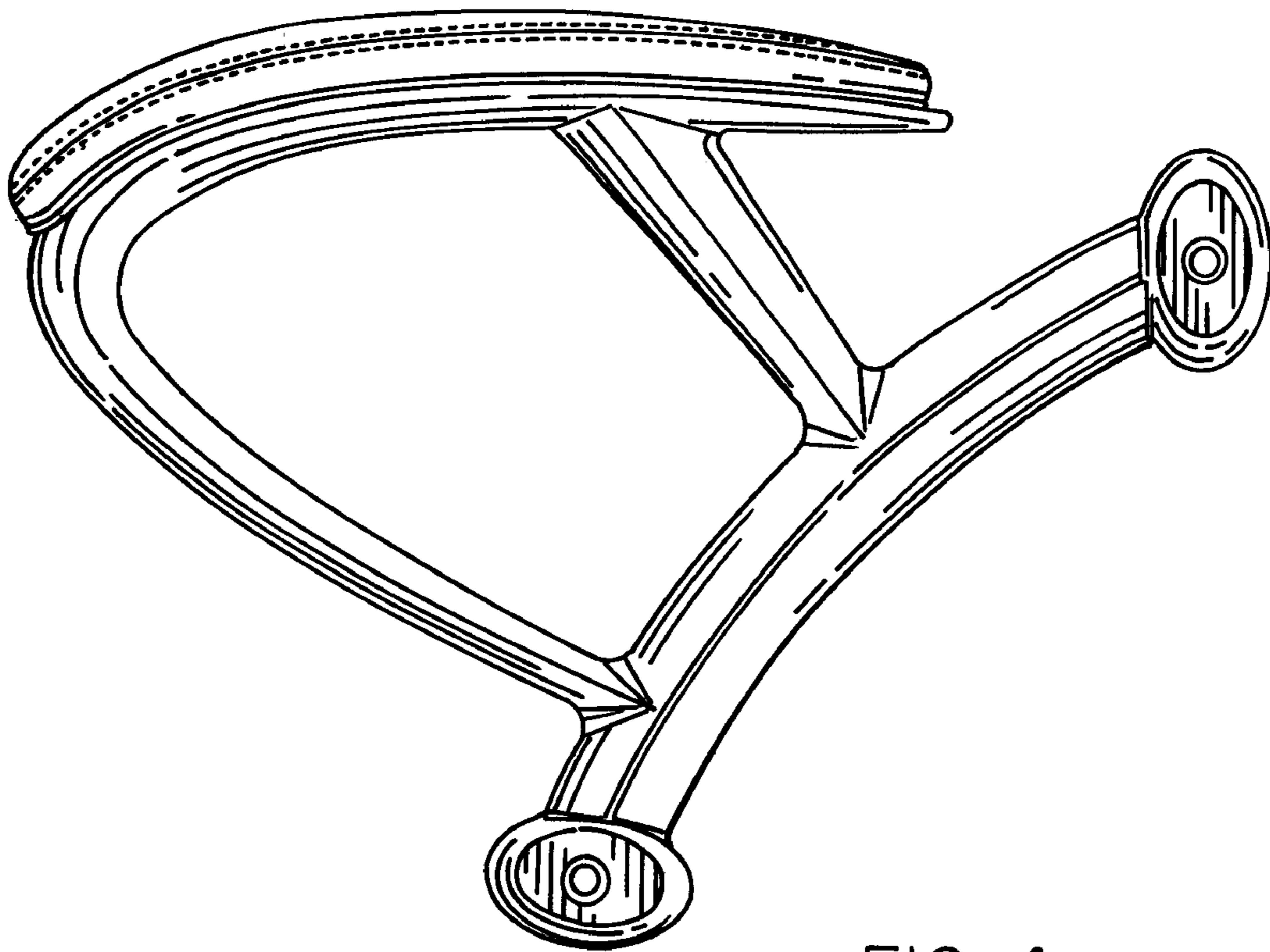


FIG. 4

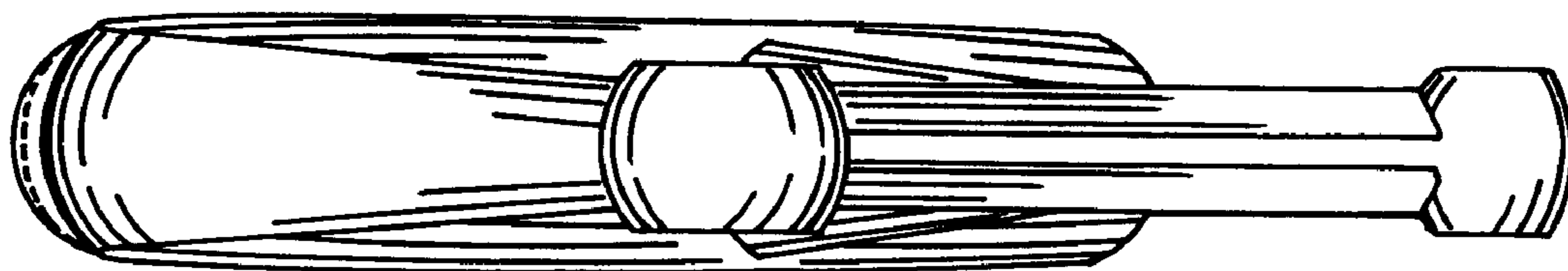


FIG. 5



FIG. 6

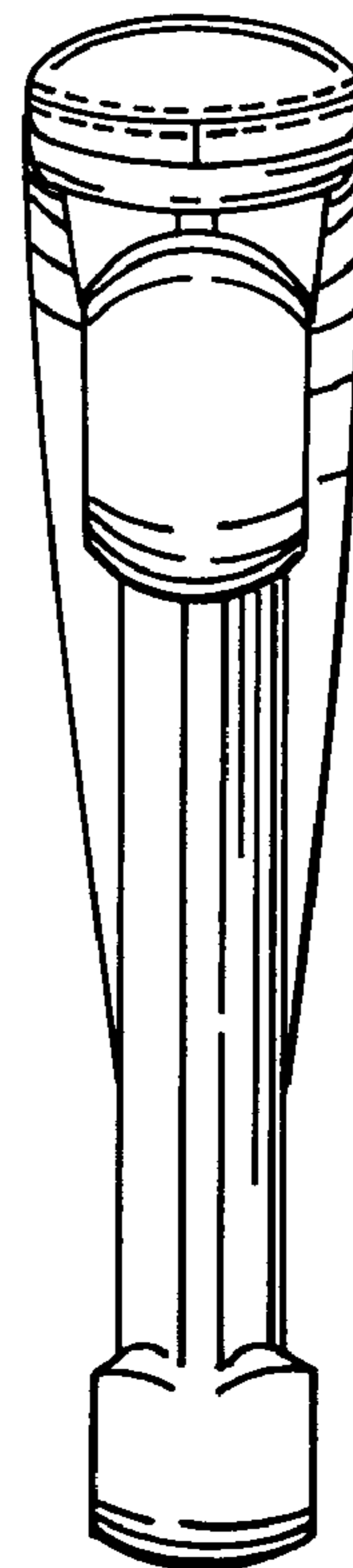


FIG. 7

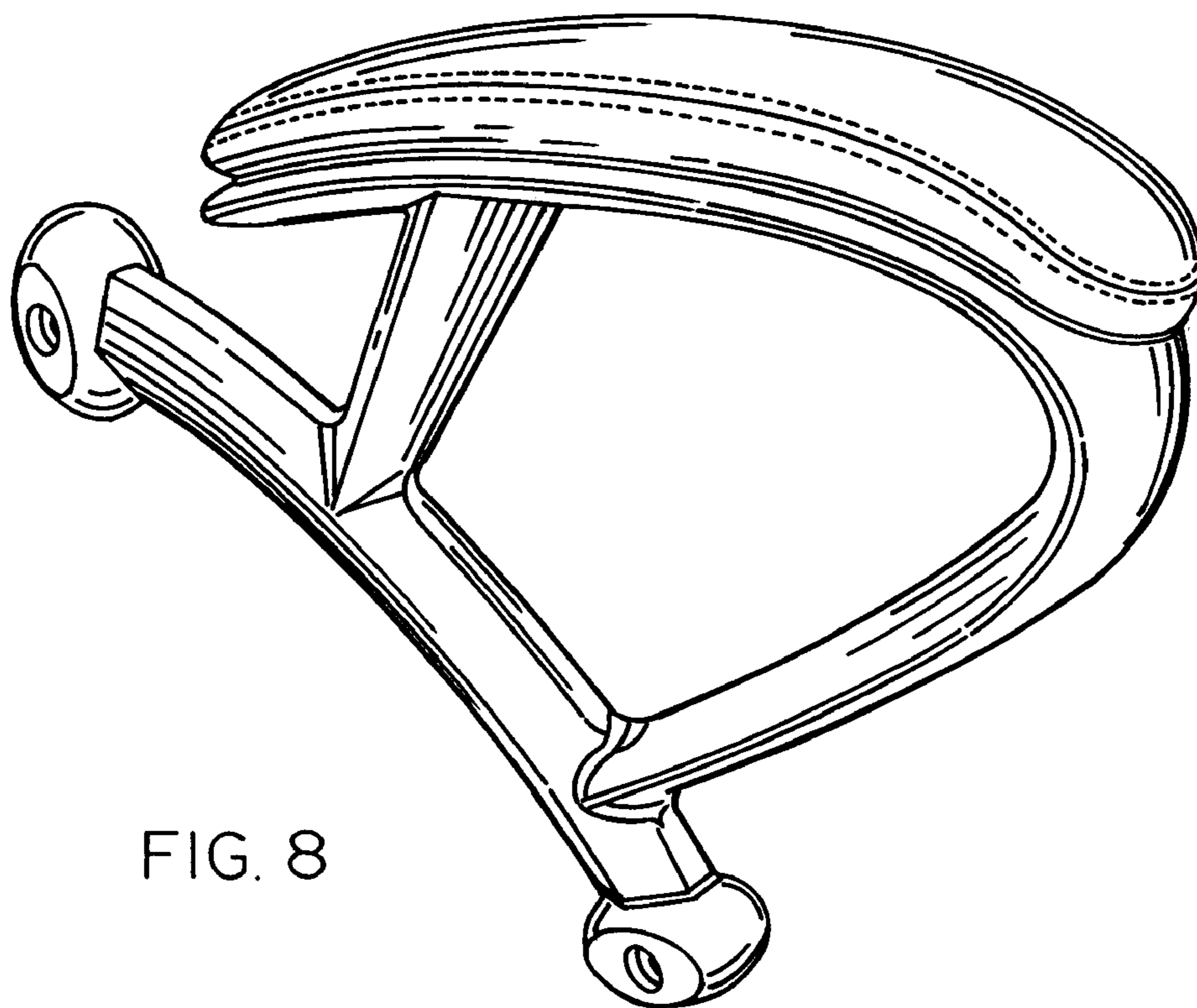


FIG. 8