



US00D535124S

(12) **United States Design Patent**  
**García**

(10) **Patent No.:** **US D535,124 S**

(45) **Date of Patent:** **\*\* Jan. 16, 2007**

(54) **ARM CHAIR**

(75) Inventor: **Enrique José Cantó García**, Alicante (ES)

(73) Assignee: **Eurokeyton, S.A.**, Alicante (ES)

(\*\*) Term: **14 Years**

(21) Appl. No.: **29/234,591**

(22) Filed: **Jul. 21, 2005**

(51) **LOC (8) Cl.** ..... **06-06**

(52) **U.S. Cl.** ..... **D6/492**; D6/367; D6/501

(58) **Field of Classification Search** ..... D6/334–336,  
D6/360, 361, 364–368, 374, 375, 379, 492,  
D6/500–502; 297/68, 83, 271.2, 423.1, 423.19,  
297/423.25, 423.32, 411.44, 411.45

See application file for complete search history.

(56) **References Cited**

U.S. PATENT DOCUMENTS

D122,344 S	*	9/1940	Smith	.....	D6/361
4,113,311 A	*	9/1978	Reida	.....	297/423.32
D318,576 S	*	7/1991	Fister, Jr.	.....	D6/334
D319,353 S	*	8/1991	Schwartz	.....	D6/369
D336,376 S	*	6/1993	Hollington	.....	D6/334
D341,728 S	*	11/1993	Grosfillex	.....	D6/379

D372,800 S	*	8/1996	Yamasaki	.....	D6/367
D406,469 S	*	3/1999	Smith	.....	D6/334
D414,950 S	*	10/1999	James	.....	D6/366
D417,558 S	*	12/1999	Staubach et al.	.....	D6/334
D430,740 S	*	9/2000	Chun	.....	D6/334
D443,991 S	*	6/2001	Picotti	.....	D6/366
D458,466 S	*	6/2002	McCairley	.....	D6/365

\* cited by examiner

*Primary Examiner*—Mimosa De

(74) *Attorney, Agent, or Firm*—Adam K. Sacharoff; Much Shelist

(57) **CLAIM**

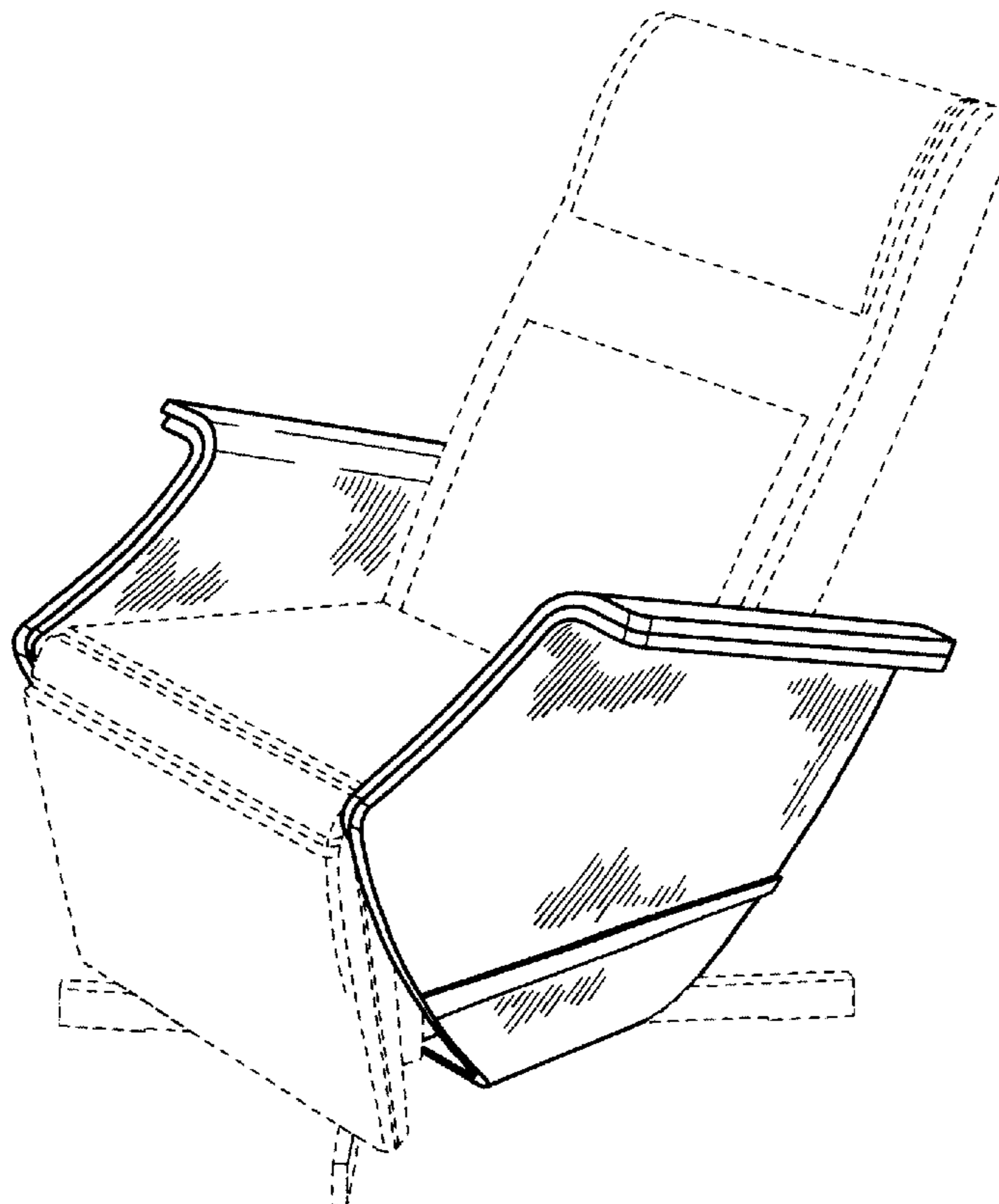
The ornamental design for an arm chair, as shown and described.

**DESCRIPTION**

FIG. 1 is a front perspective view showing the new design; FIG. 2 is front view thereof; FIG. 3 is a back view thereof; FIG. 4 is a left side view thereof; FIG. 5 is a right side view thereof; FIG. 6 is a top view thereof; and, FIG. 7 is a bottom view thereof.

The broken lines shown are for illustrative purposes only and form no part of the claimed design.

**1 Claim, 7 Drawing Sheets**



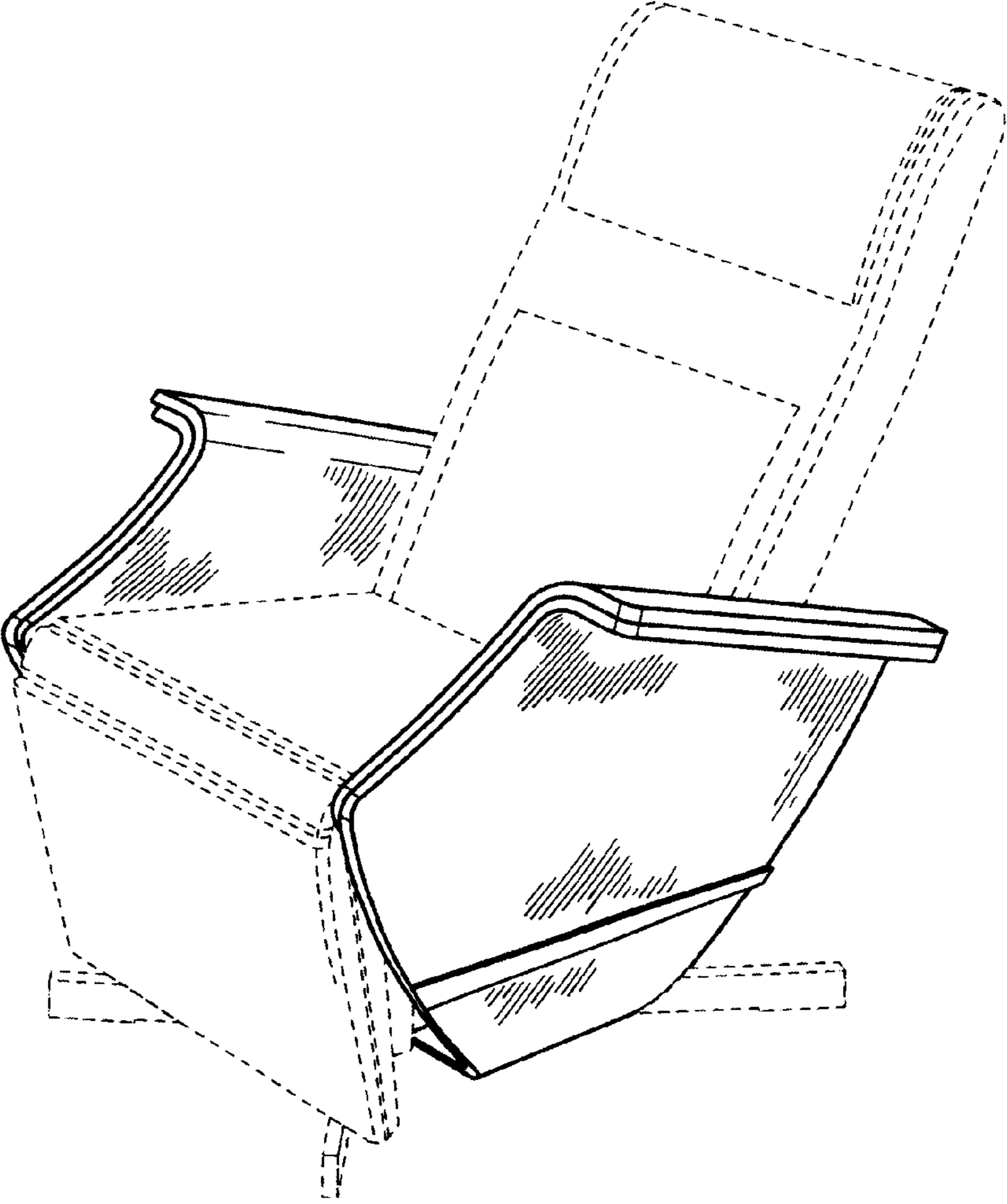


FIG. 1

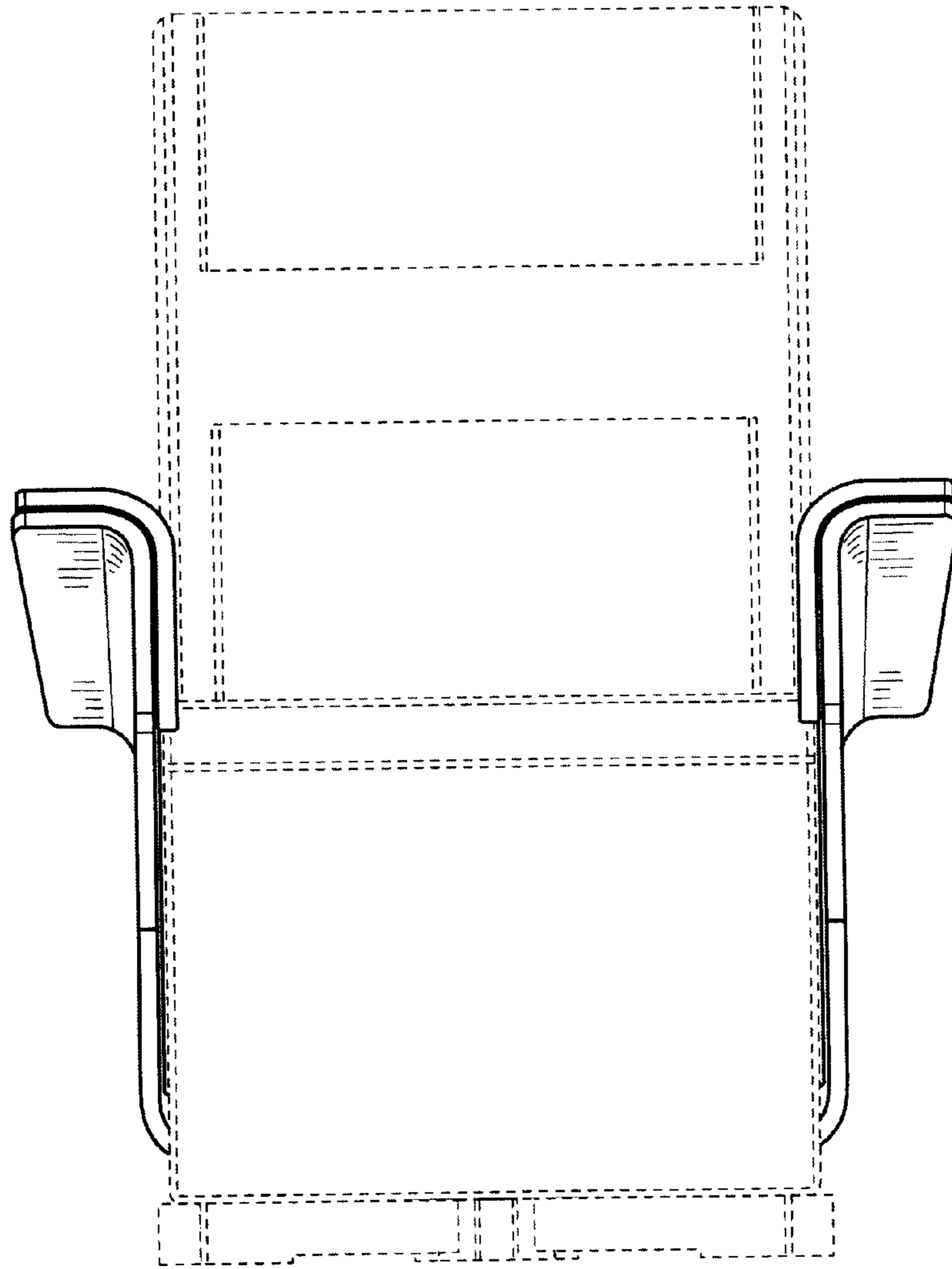


FIG. 2

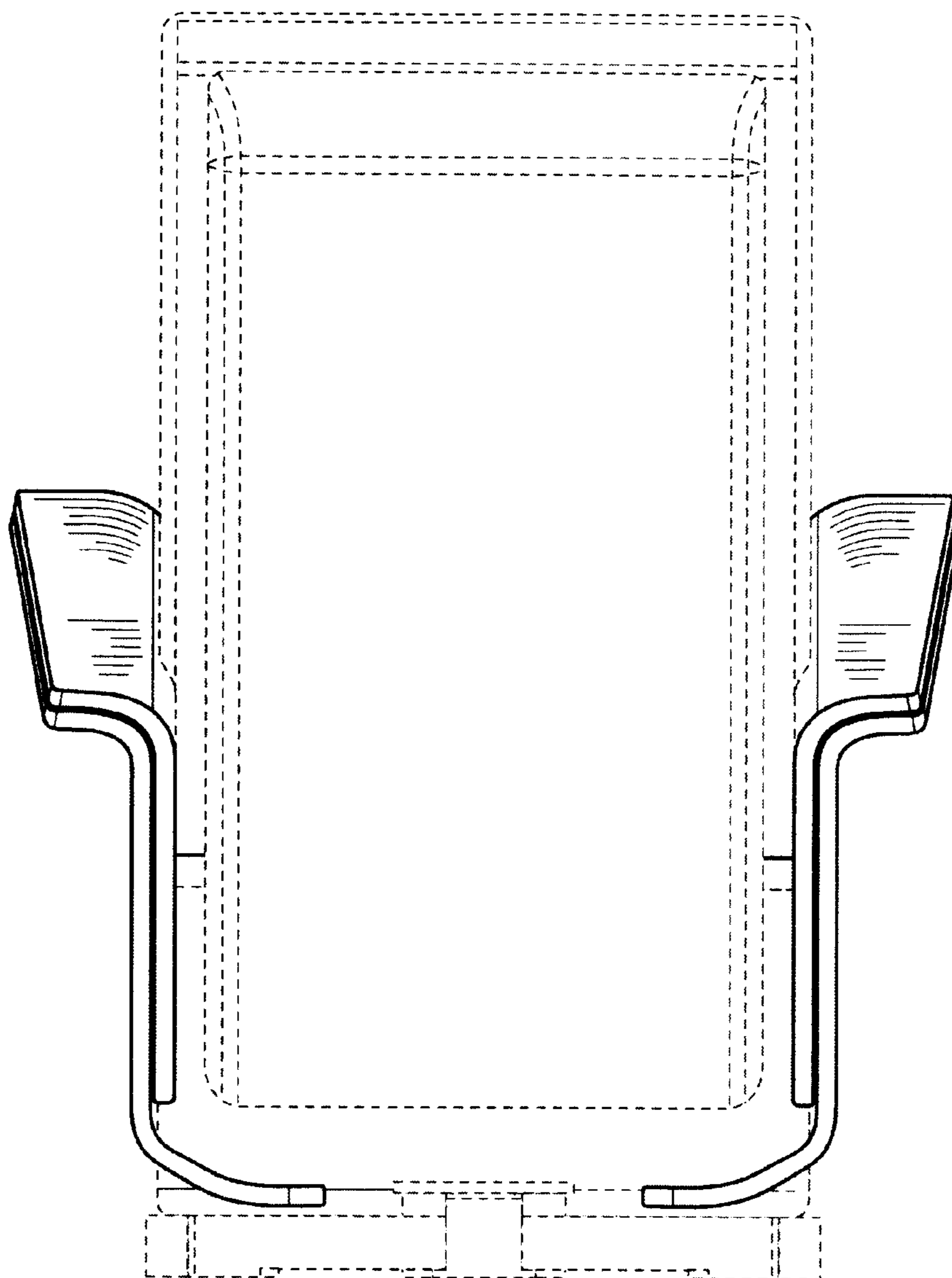


FIG. 3

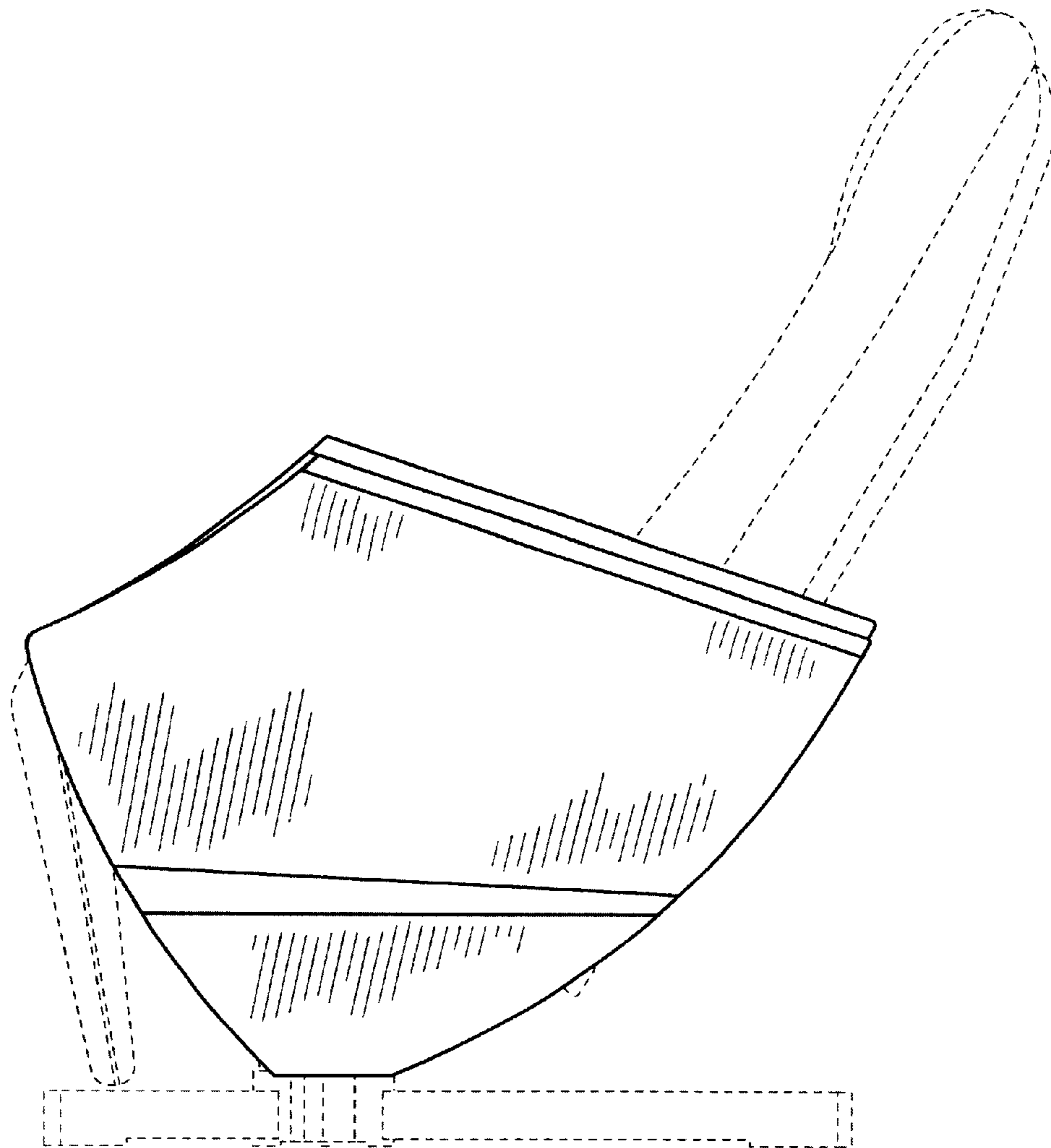


FIG. 4

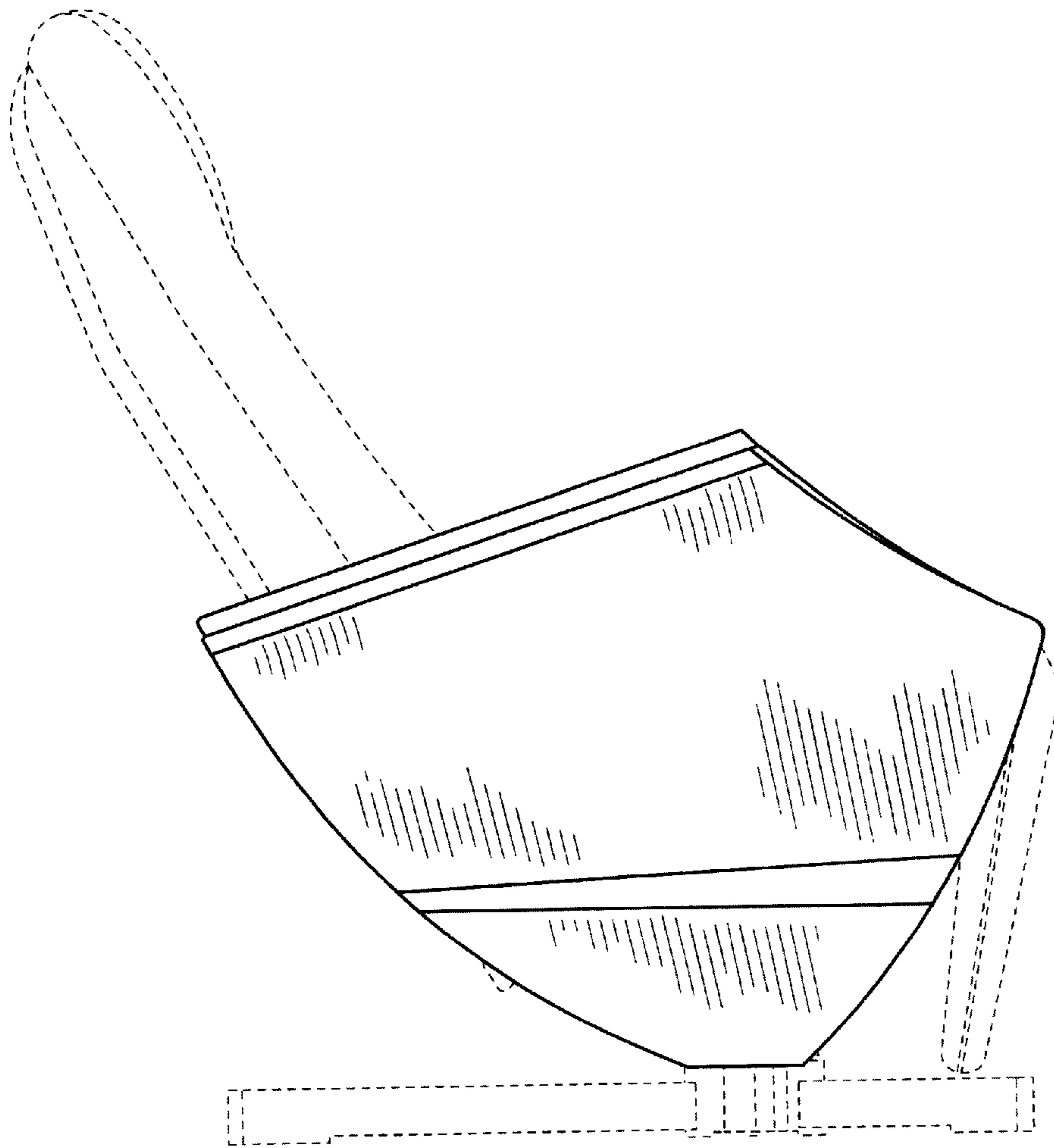


FIG. 5

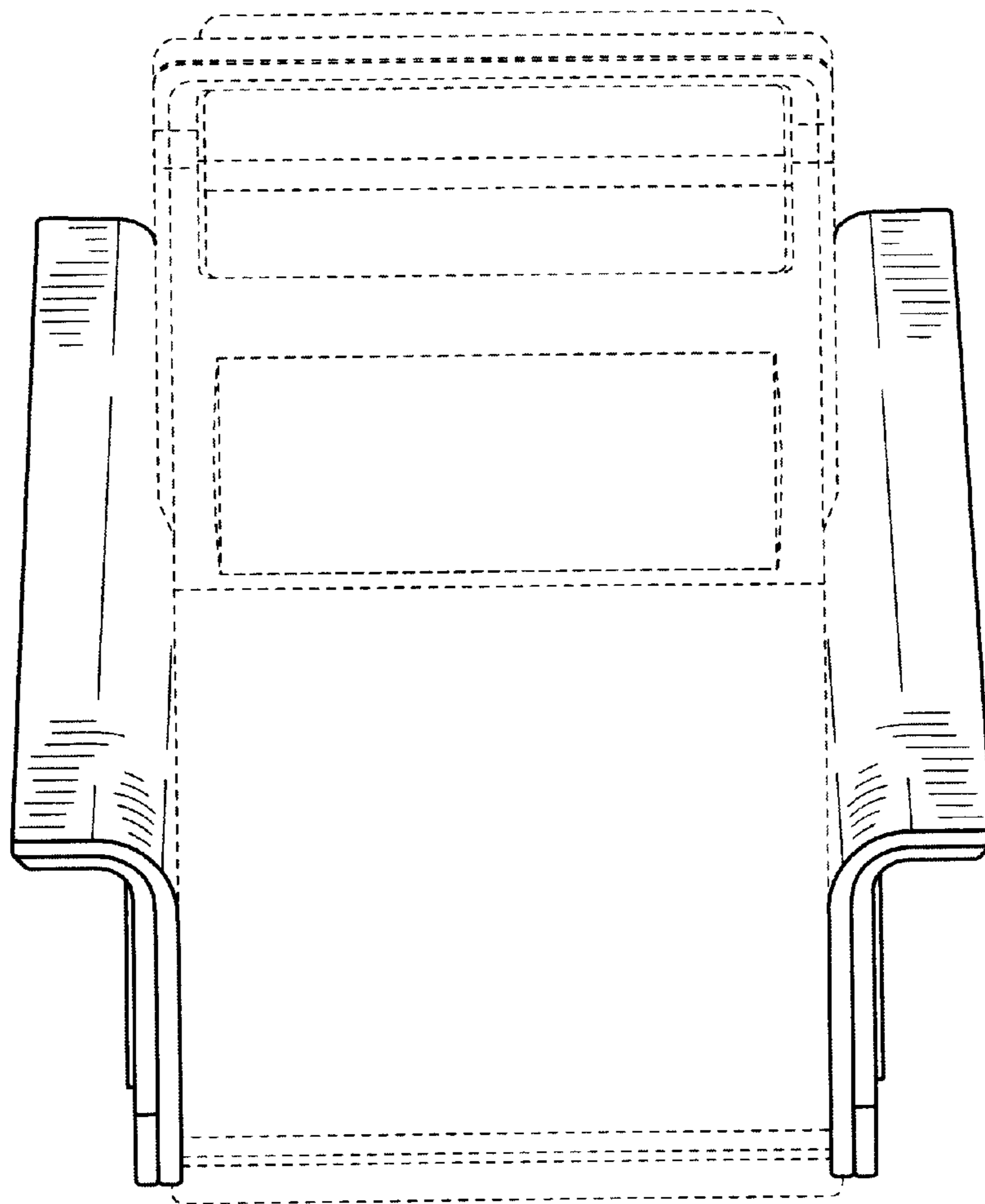


FIG. 6

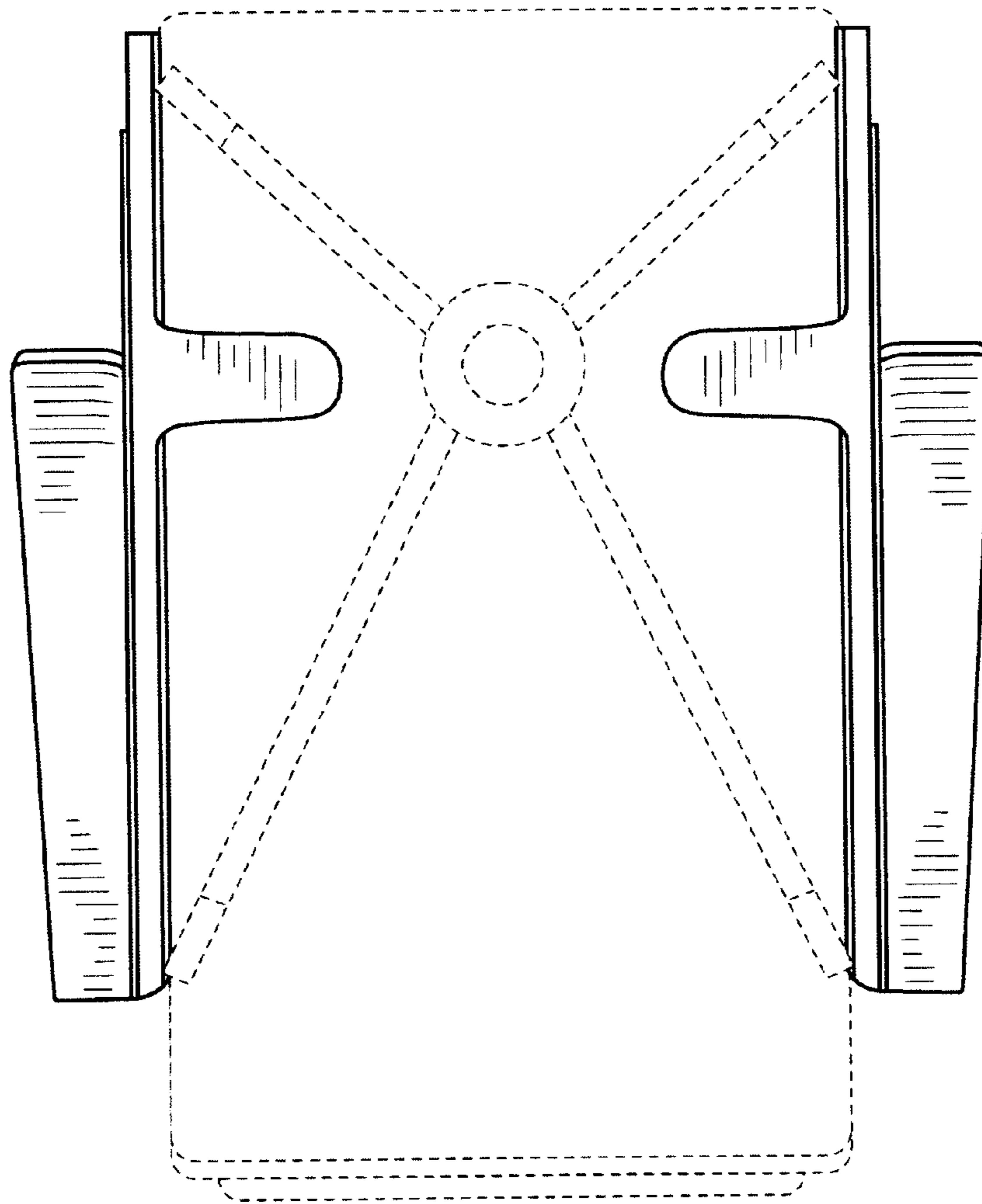


FIG. 7