



US00D535123S

(12) **United States Design Patent**
Garcia

(10) **Patent No.:** **US D535,123 S**

(45) **Date of Patent:** **** Jan. 16, 2007**

(54) **ARM CHAIR**

(75) Inventor: **Enrique José CantóGarcia**, Alicante (ES)

(73) Assignee: **Eurokeyton, S.A.**, Alicante (ES)

(**) Term: **14 Years**

(21) Appl. No.: **29/234,589**

(22) Filed: **Jul. 21, 2005**

(51) **LOC (8) Cl.** **06-06**

(52) **U.S. Cl.** **D6/492; D6/367; D6/501**

(58) **Field of Classification Search** D6/334–336,
D6/360, 361, 364, 365, 367, 368, 374, 375,
D6/379, 492, 500–502; 297/68, 83, 217.1,
297/423.1, 423.19, 423.25, 445.1, 446.1
See application file for complete search history.

(56) **References Cited**

U.S. PATENT DOCUMENTS

D103,624 S	*	3/1937	Beck	D6/360
D147,463 S	*	9/1947	Luketa	D6/360
D149,658 S	*	5/1948	Luketa	D6/360
D161,762 S	*	1/1951	Howard et al.	D6/336
2,564,762 A	*	5/1951	Howard et al.	297/217.1
D163,941 S	*	7/1951	Frost	D6/492
D173,625 S	*	12/1954	Maurer	D6/360

D182,805 S	*	5/1958	Glass	D6/360
3,781,060 A	*	12/1973	Penzien	297/68
5,836,645 A	*	11/1998	Sakaue et al.	297/68
D462,183 S	*	9/2002	Canto Garcia	D6/335
D498,065 S	*	11/2004	Potter	D6/335
D504,584 S	*	5/2005	Garcia	D6/501

* cited by examiner

Primary Examiner—Mimosa De

(74) *Attorney, Agent, or Firm*—Adam K Sacharoff; Much Shelist

(57) **CLAIM**

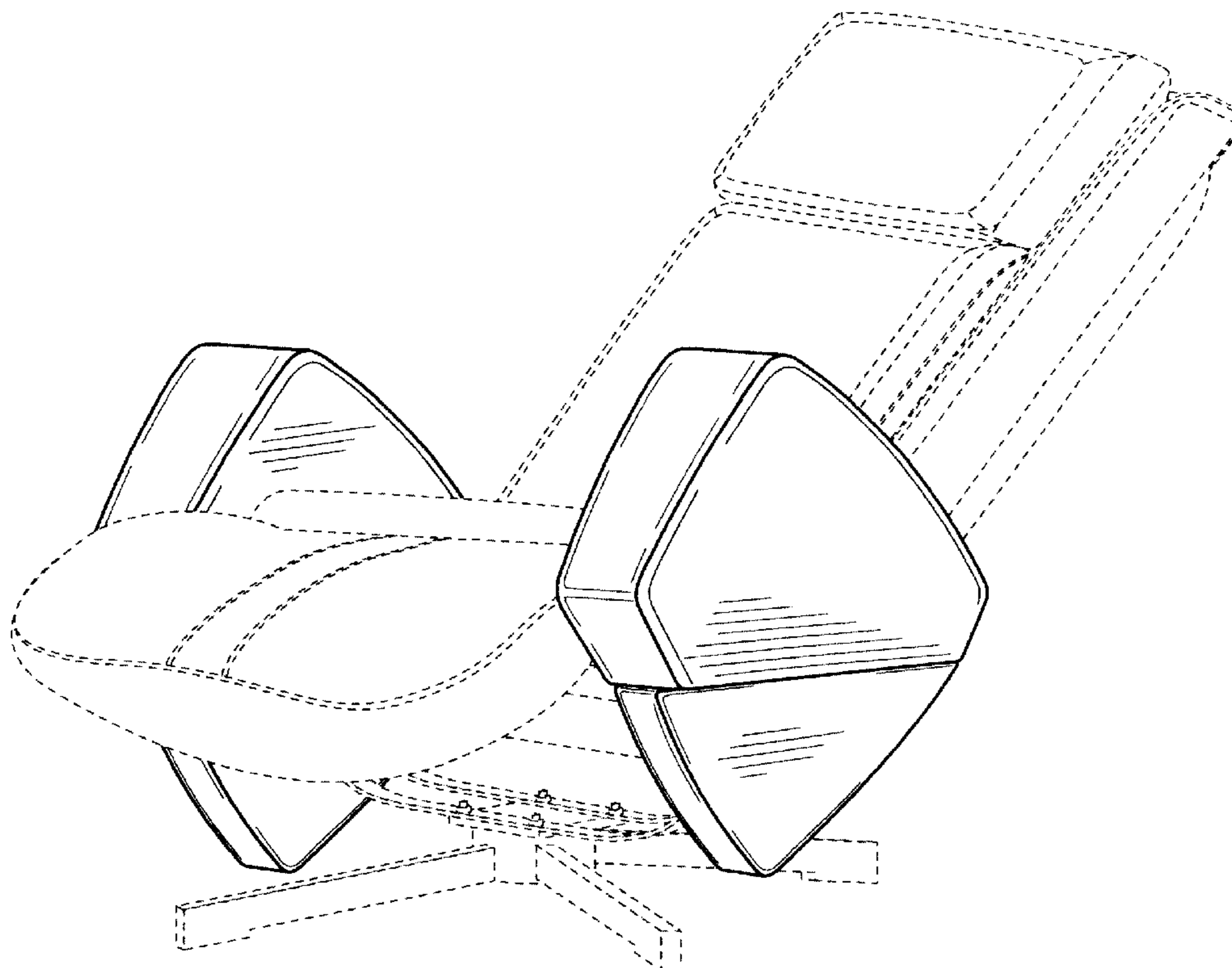
The ornamental design for an arm chair, as shown and described.

DESCRIPTION

FIG. 1 is a front perspective view showing the new design; FIG. 2 is front view thereof; FIG. 3 is a back view thereof; FIG. 4 is a left side view thereof; FIG. 5 is a right side view thereof; FIG. 6 is a top view thereof; FIG. 7 is a bottom view thereof; and, FIG. 8 is a front perspective view showing the chair in a reclined position.

The broken lines shown are for illustrative purposes only and no part of the claimed design.

1 Claim, 5 Drawing Sheets



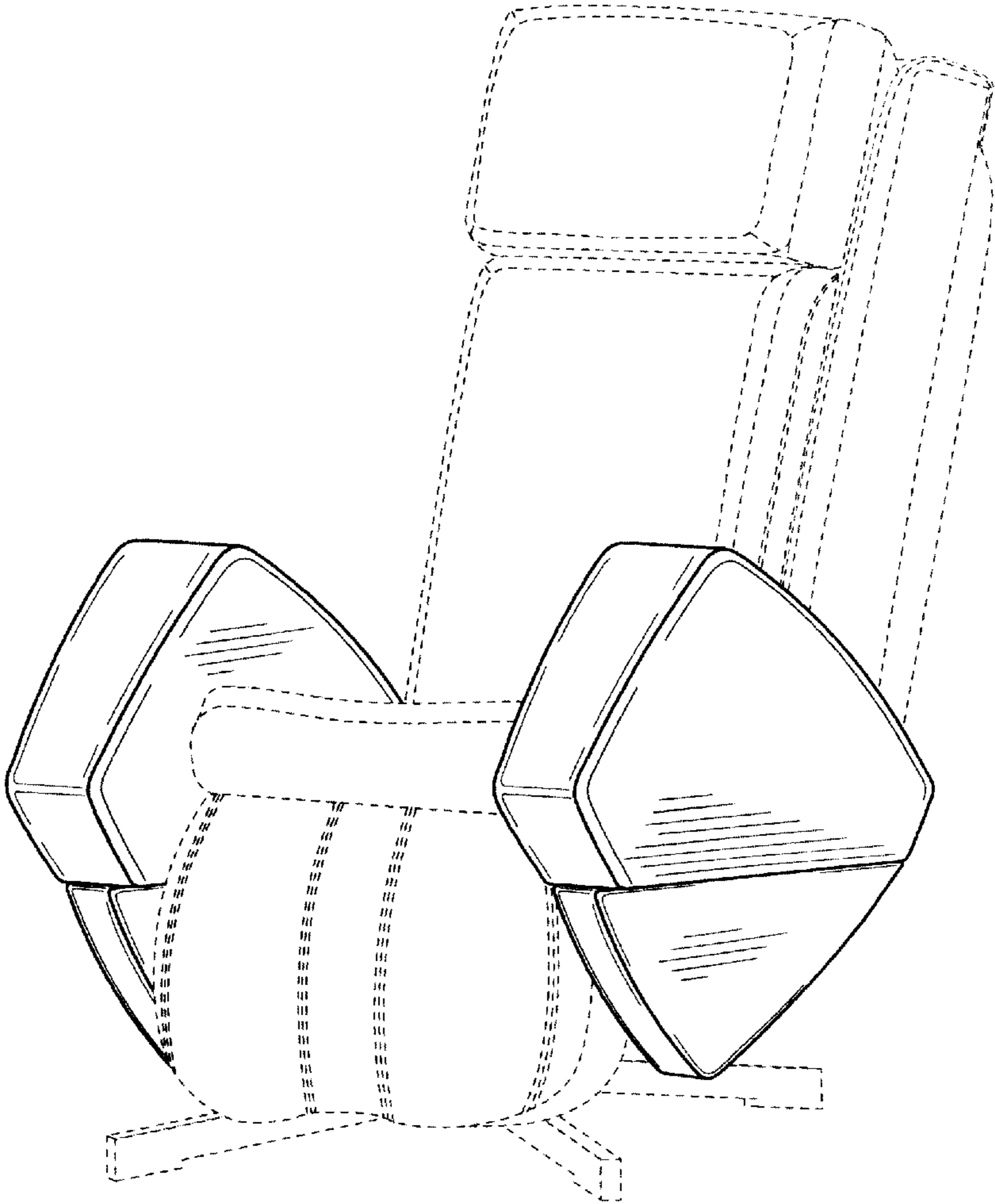


FIG. 1

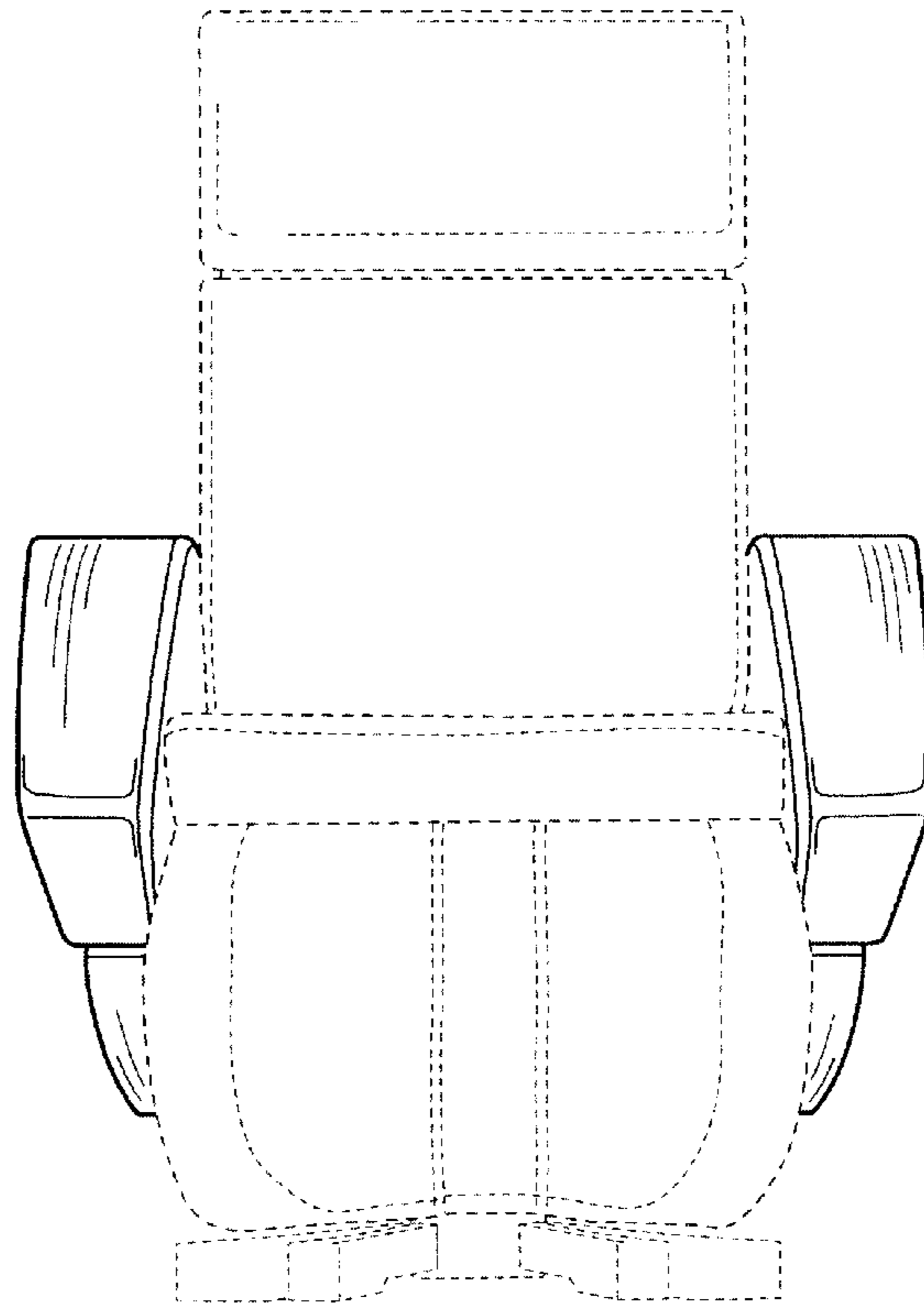


FIG. 2

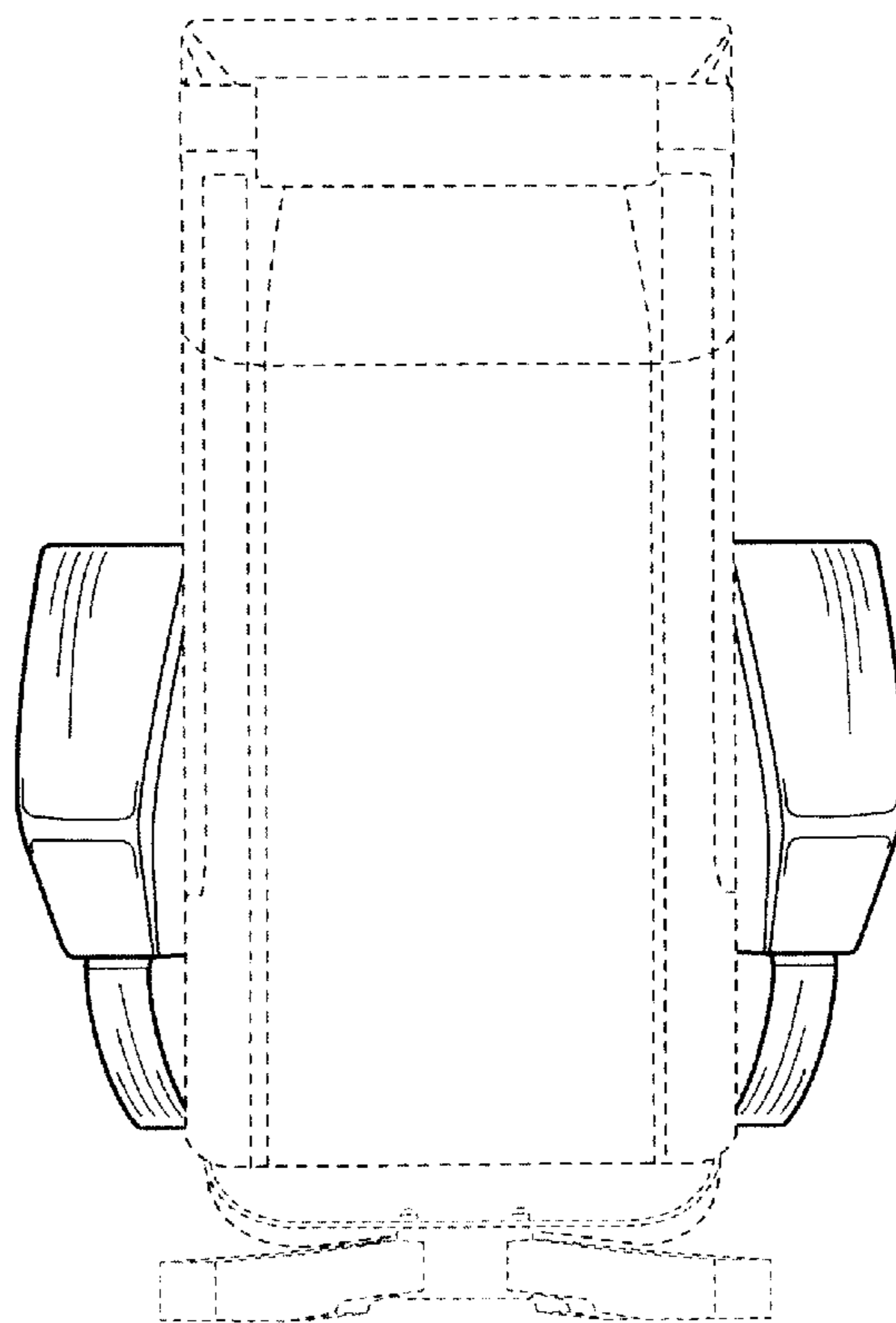


FIG. 3

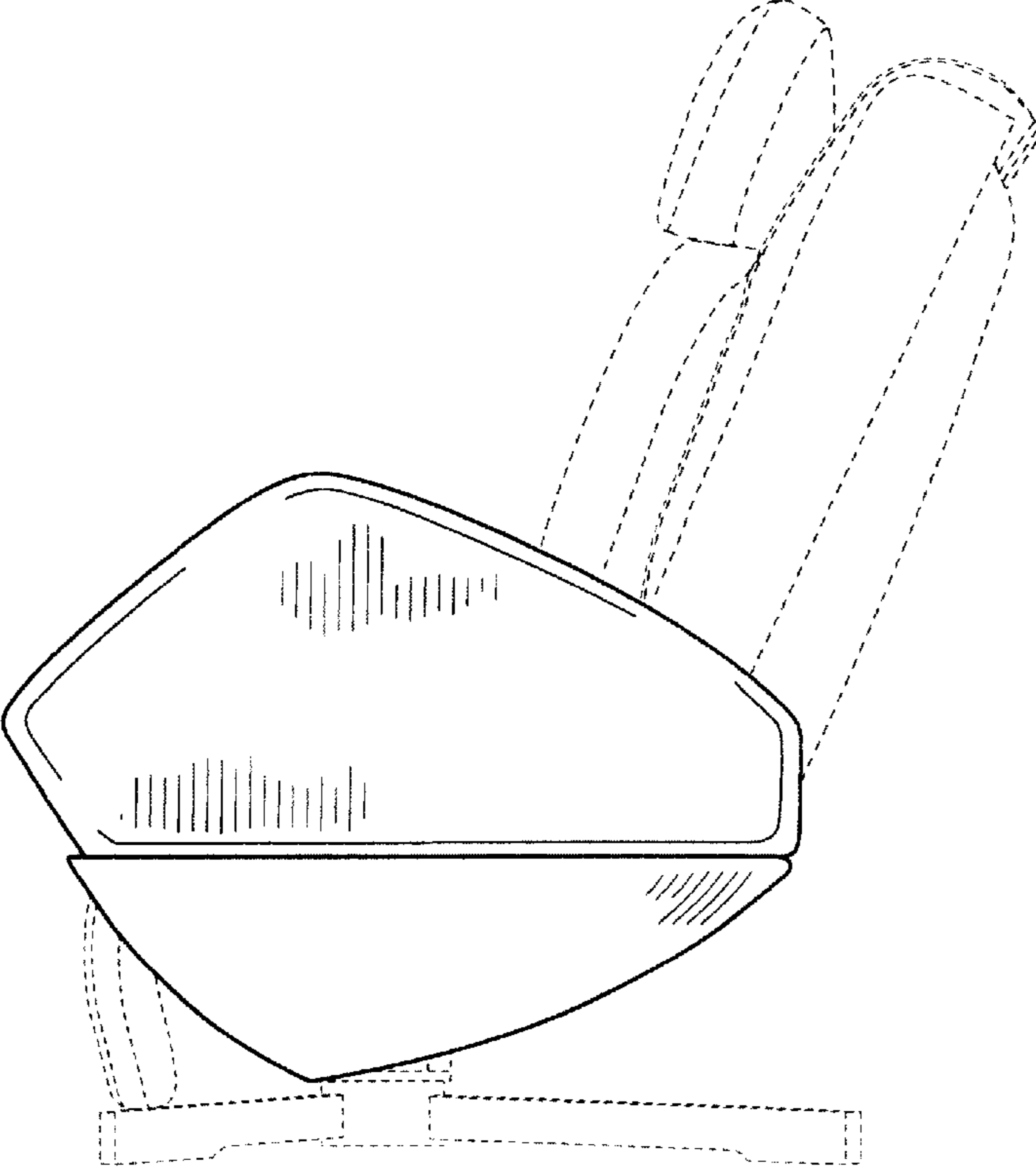


FIG. 4

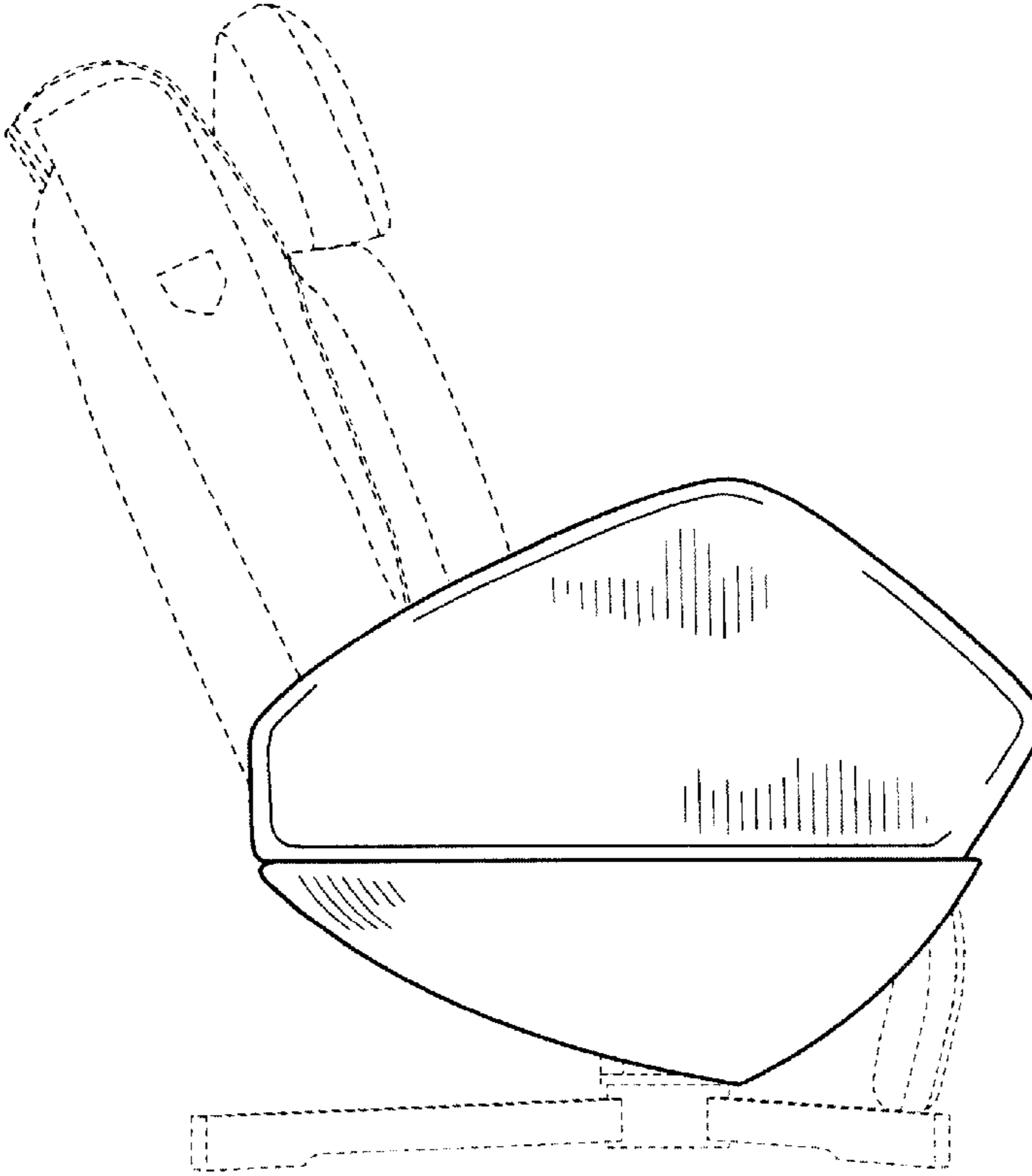


FIG. 5

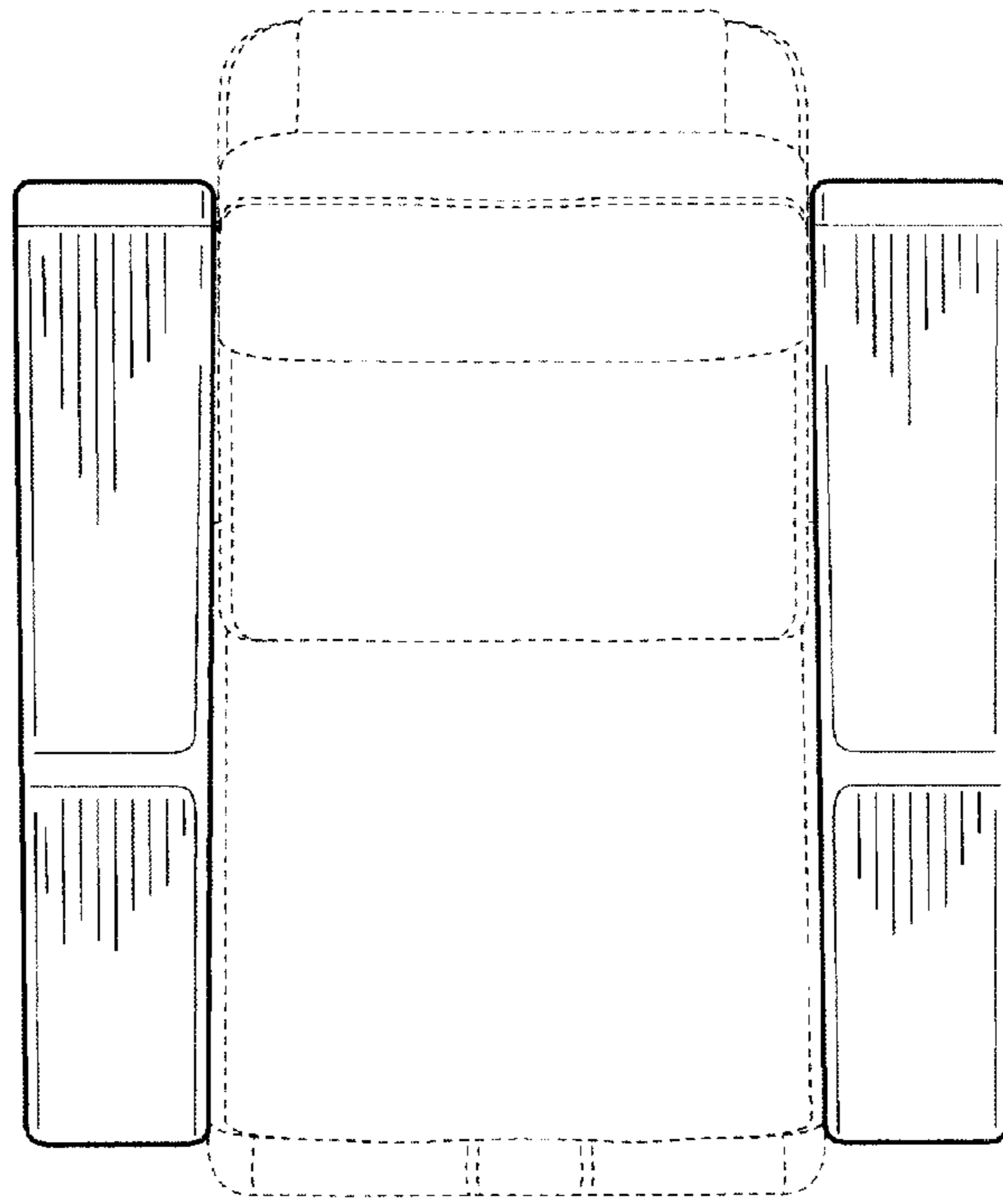


FIG. 6

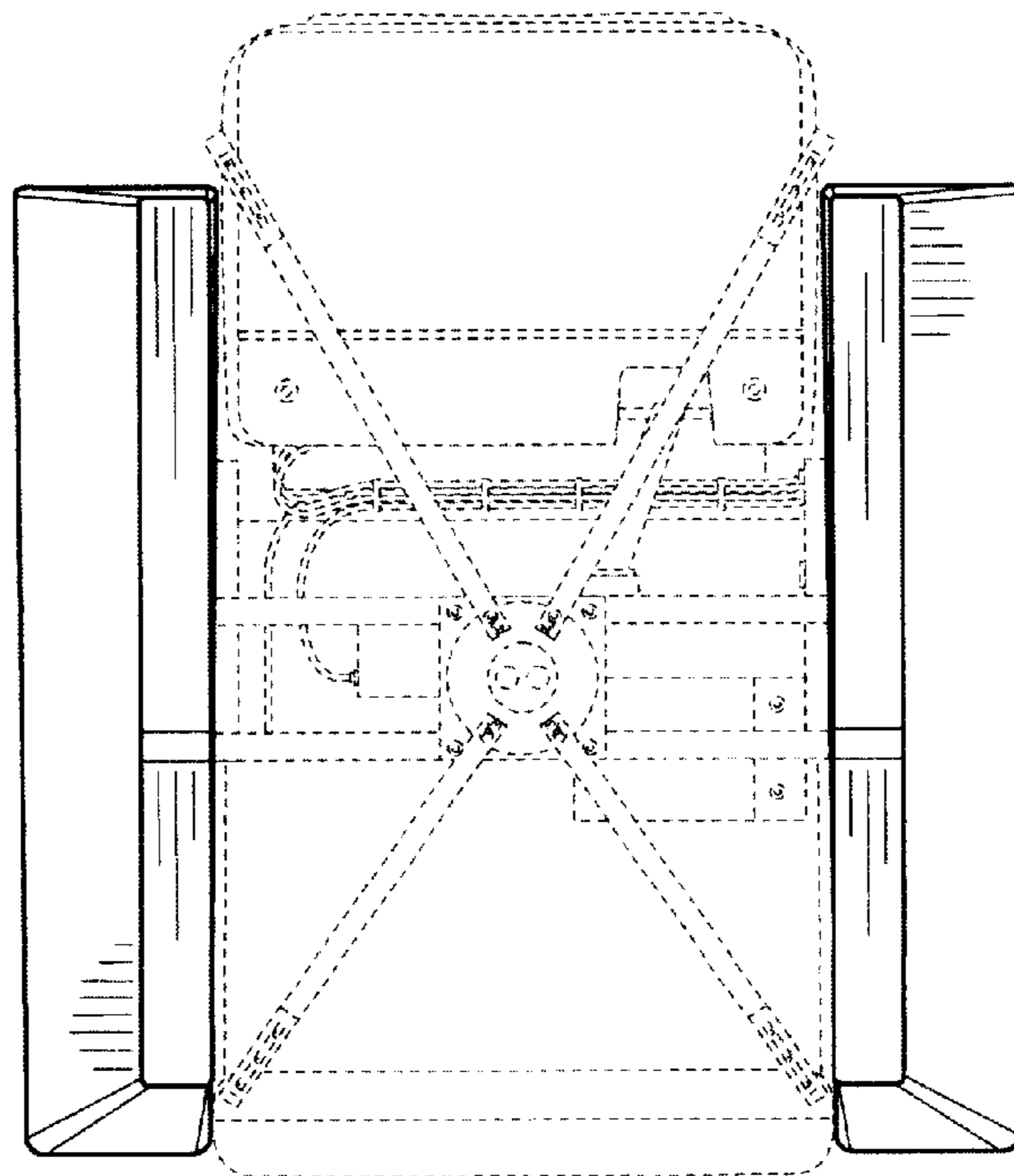


FIG. 7

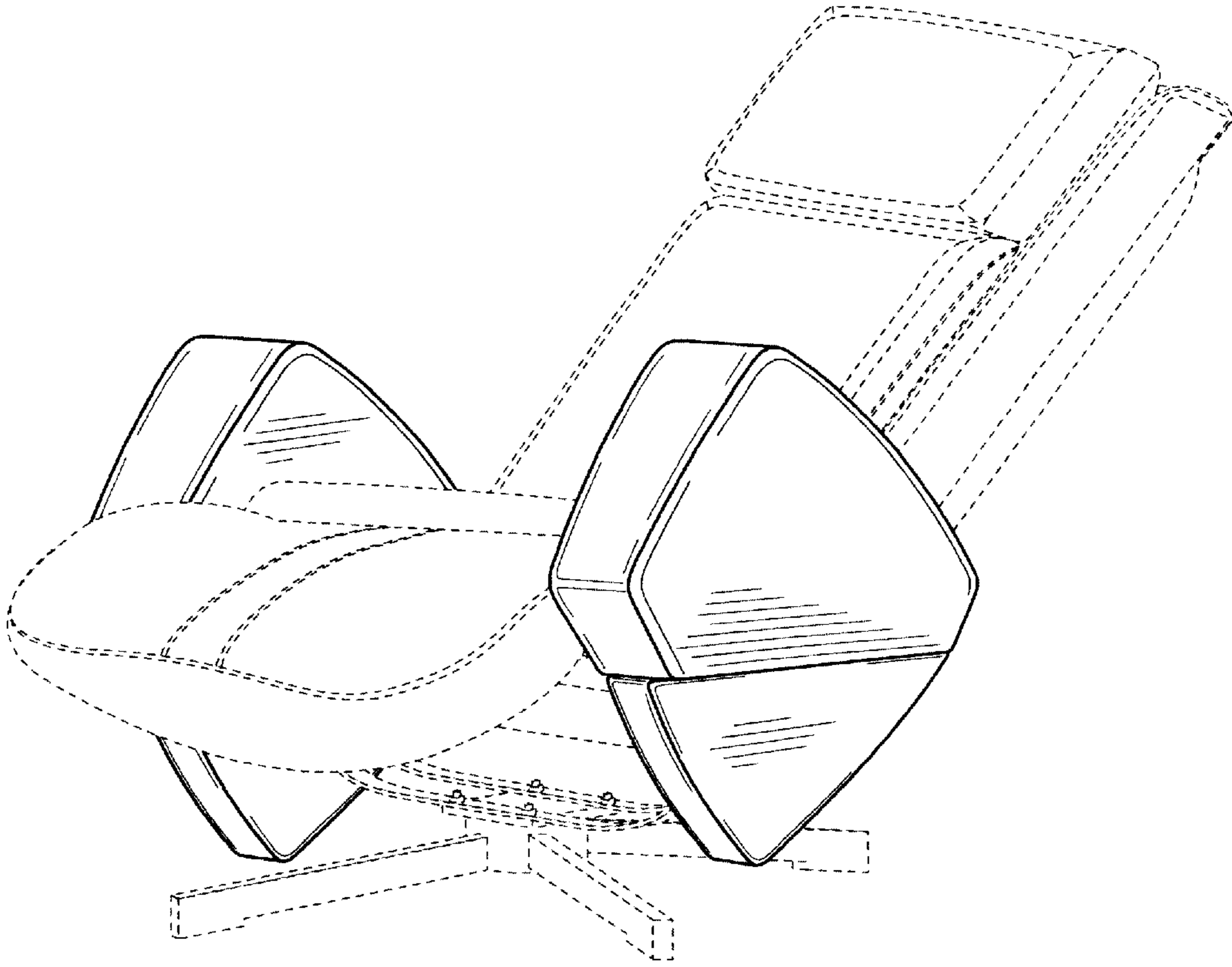


FIG. 8