



US00D535117S

(12) **United States Design Patent**
Davis

(10) **Patent No.:** **US D535,117 S**
(45) **Date of Patent:** **** Jan. 16, 2007**

(54) **JEWELRY CHEST**

D506,869 S * 7/2005 Davis D3/297

(75) Inventor: **Joseph G. Davis**, Evington, VA (US)

OTHER PUBLICATIONS

(73) Assignee: **L. Powell Company**, Culver City, CA (US)

Yield House catalog, Canterbury Coffee Table, p. 42, Spring Sale Catalog, 1997.*

(**) Term: **14 Years**

* cited by examiner

(21) Appl. No.: **29/195,053**

Primary Examiner—Cathron Brooks

(22) Filed: **Dec. 5, 2003**

(74) *Attorney, Agent, or Firm*—Sheppard, Mullin, Richter & Hampton LLP

(51) **LOC (8) Cl.** **06-04**

(52) **U.S. Cl.** **D6/440**; D6/446; D3/297

(58) **Field of Classification Search** D6/432-448;
D3/272, 295, 296, 903; 312/204, 224, 276,
312/279, 321.5

(57) **CLAIM**

See application file for complete search history.

I claim the ornamental design for a jewelry chest, as shown and described.

DESCRIPTION

(56) **References Cited**

U.S. PATENT DOCUMENTS

| | | | | | |
|------------|---|---------|--------------|-------|--------|
| D307,985 S | * | 5/1990 | Hoff | | D6/440 |
| D319,153 S | | 8/1991 | Powell | | D6/440 |
| D319,155 S | | 8/1991 | Powell | | D6/448 |
| D429,915 S | * | 8/2000 | Hazen et al. | | D6/432 |
| D440,791 S | * | 4/2001 | Cain | | D6/446 |
| D449,465 S | * | 10/2001 | Tabbia | | D6/446 |
| D459,912 S | * | 7/2002 | Cain | | D6/446 |
| D497,735 S | * | 11/2004 | Davis | | D6/440 |
| D498,610 S | * | 11/2004 | Davis | | D6/440 |

FIG. 1 is a perspective view of the jewelry chest showing the new design;

FIG. 2 is a second perspective view thereof, with the drawers and door shown in an opened position;

FIG. 3 is a front elevational view thereof;

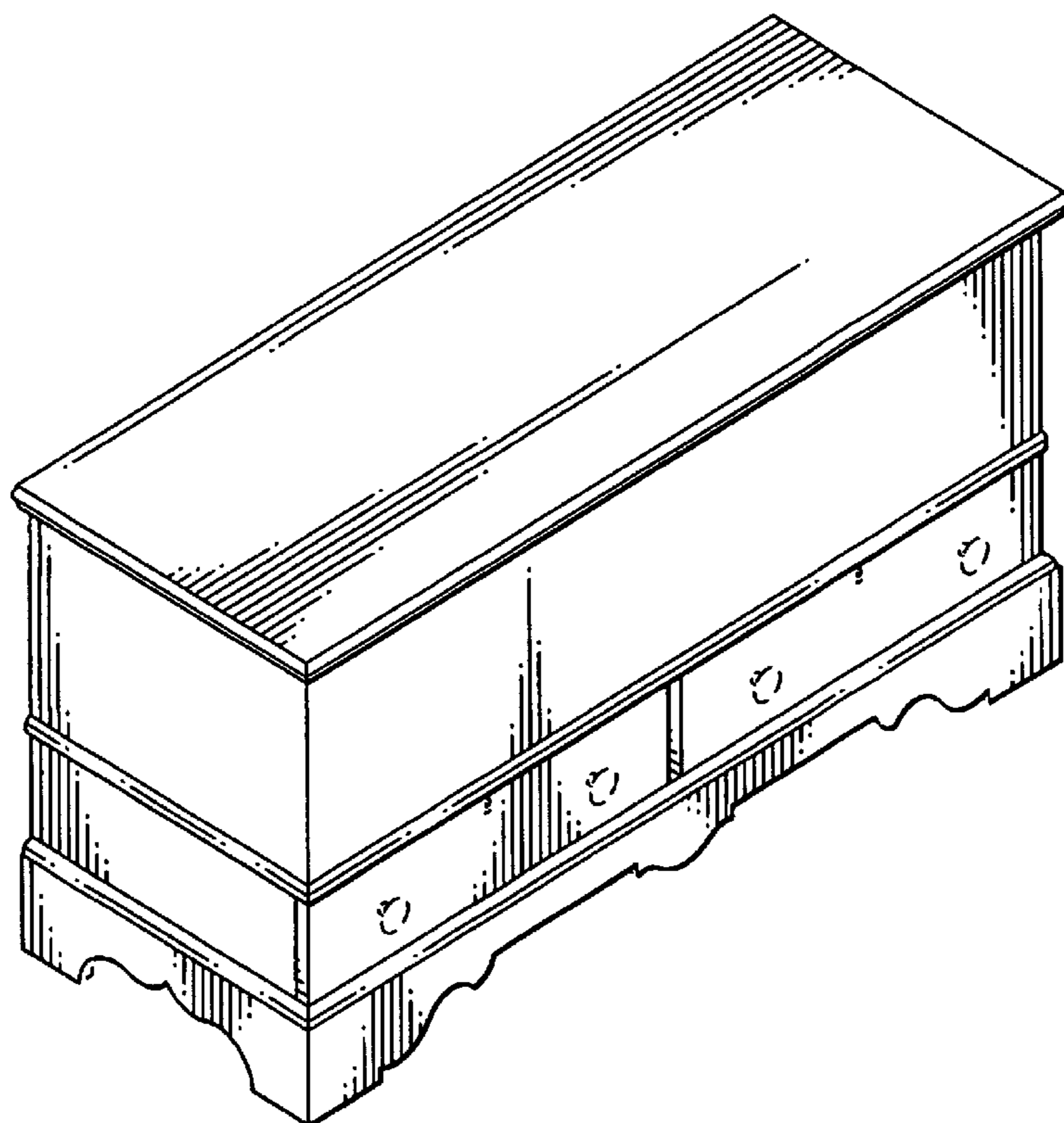
FIG. 4 is a right side elevational view thereof, the left side elevational view being a mirror image thereof;

FIG. 5 is a top plan view thereof; and,

FIG. 6 is a bottom plan view thereof.

The broken lines are for illustrative purposes only and form no part of the claimed design.

1 Claim, 6 Drawing Sheets



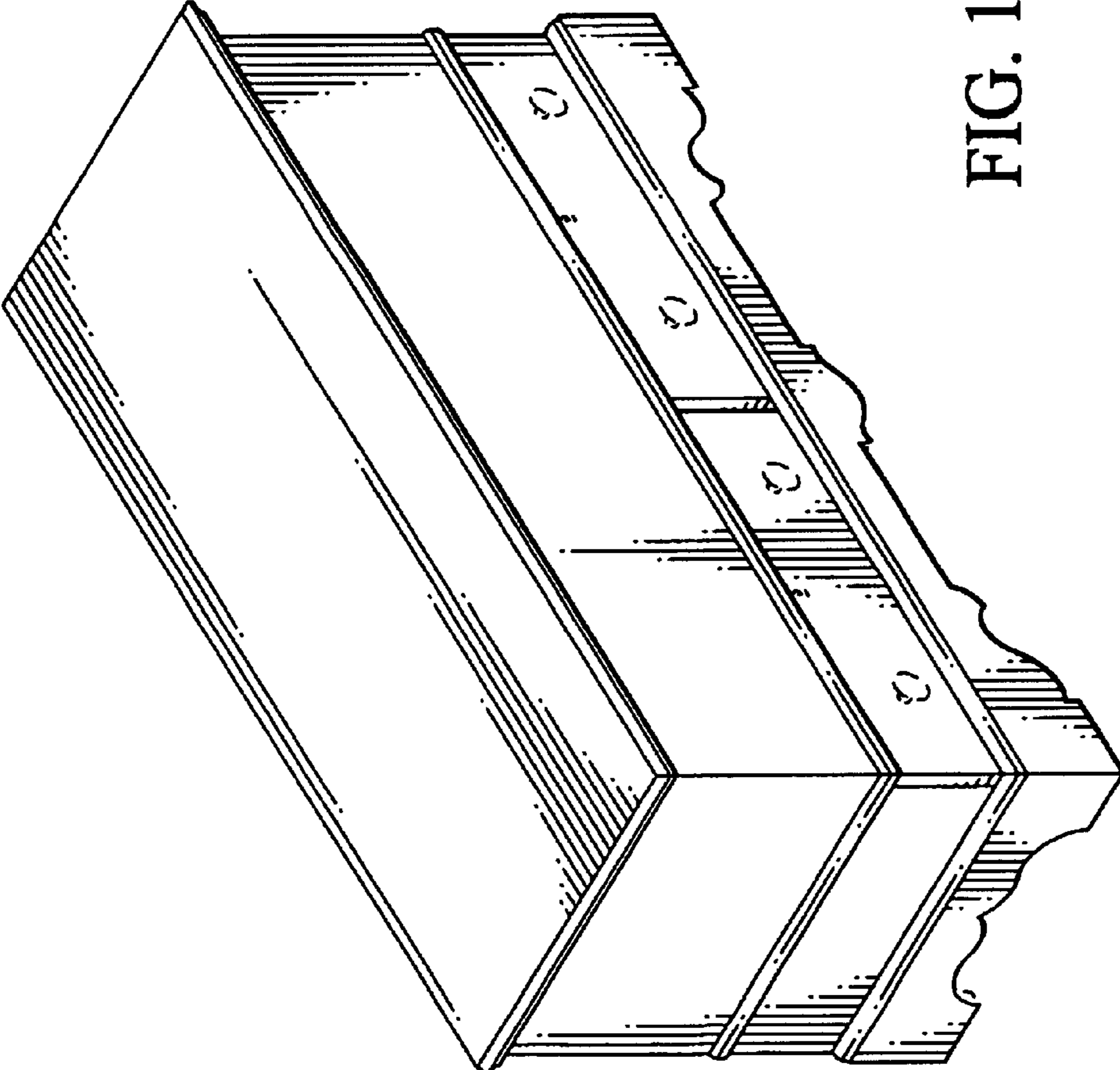


FIG. 1

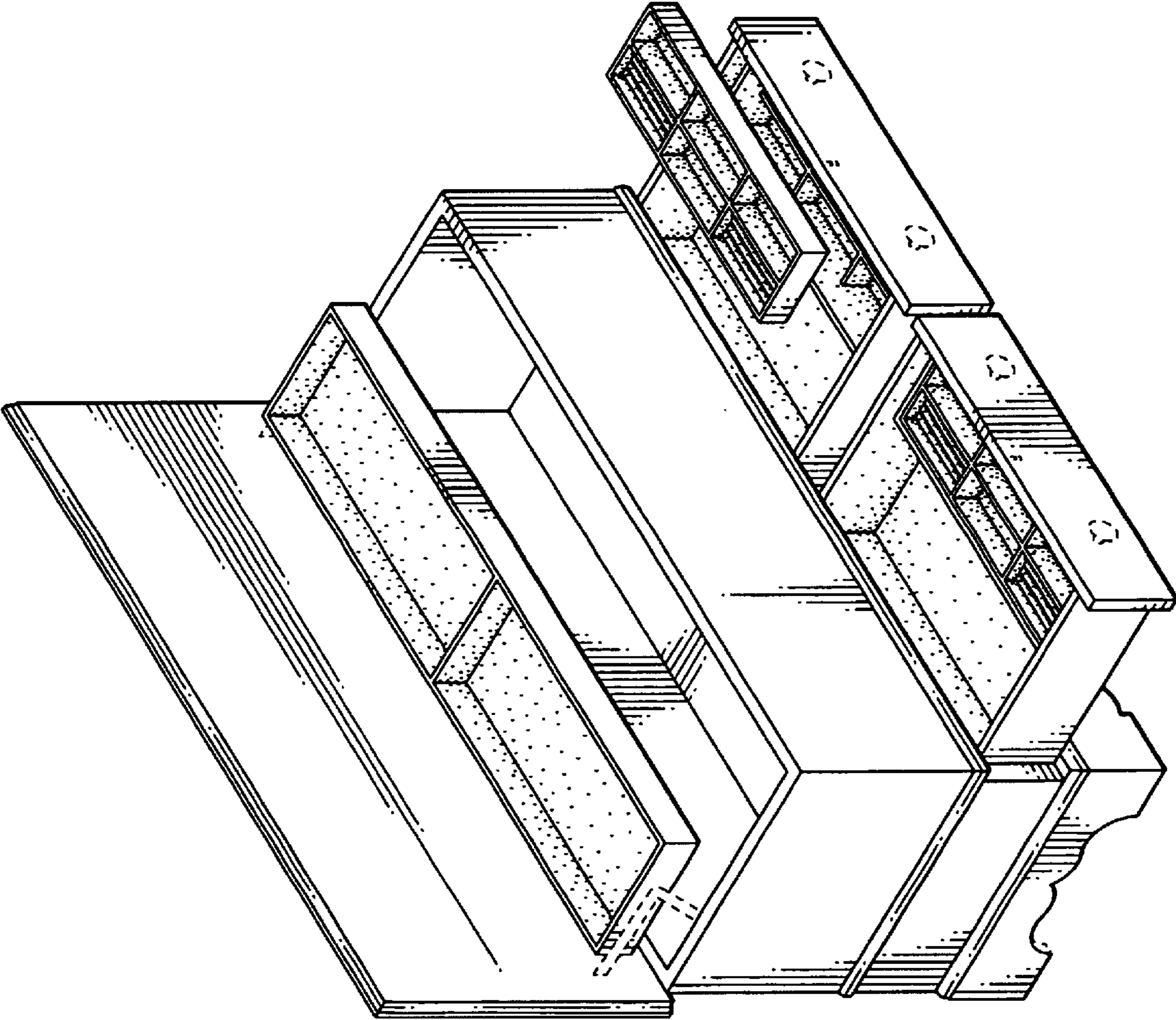


FIG. 2

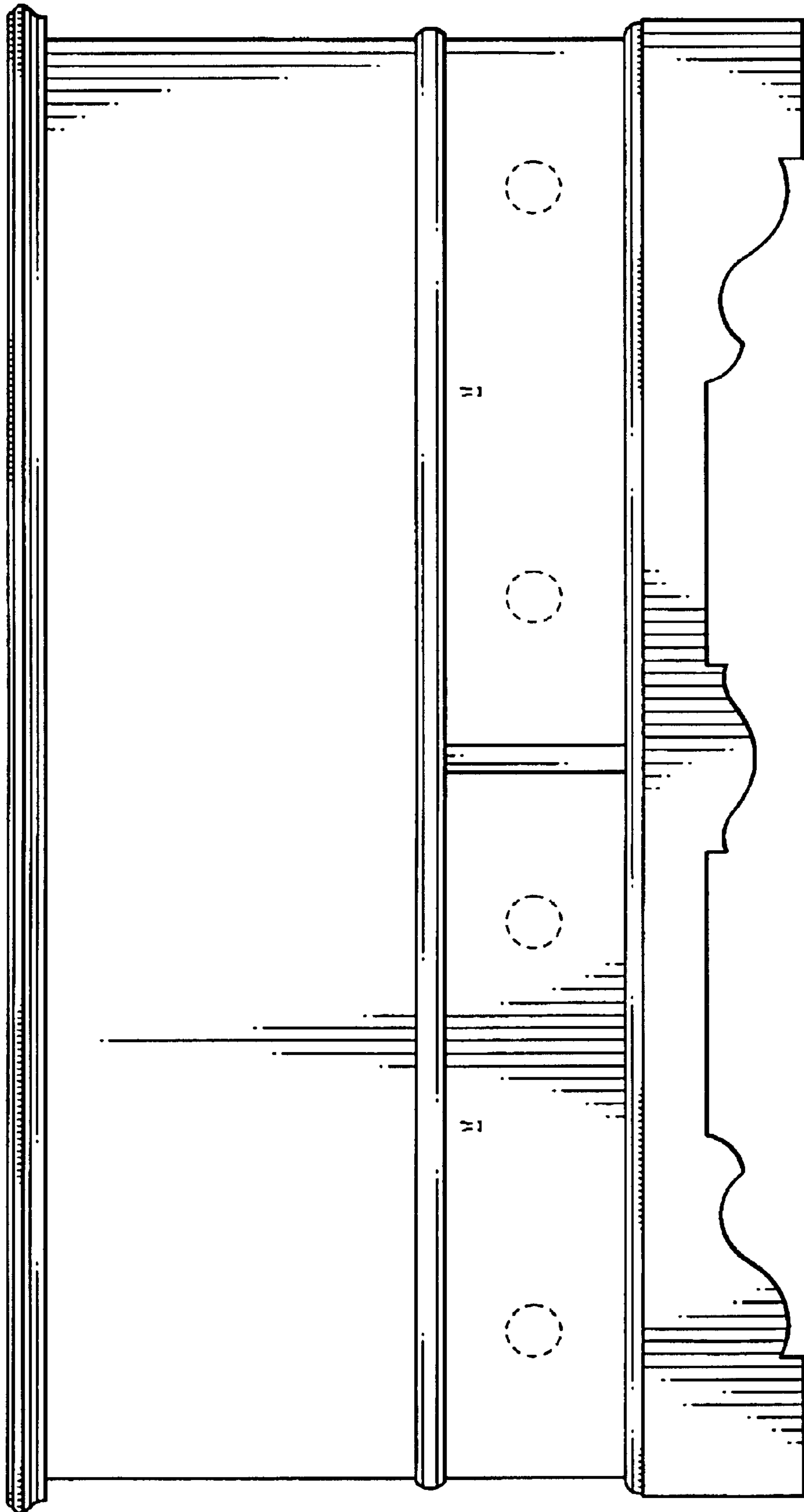


FIG. 3

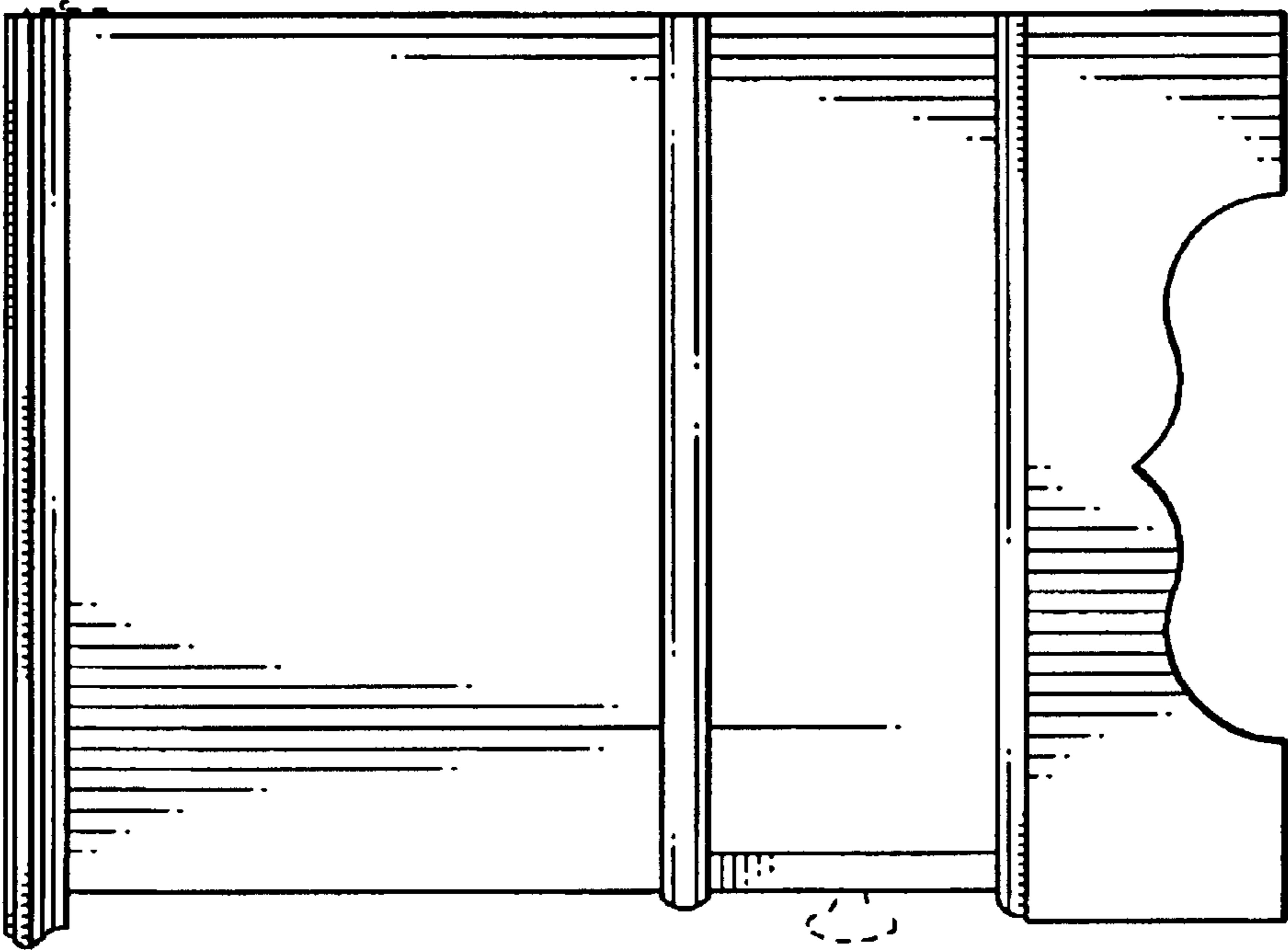


FIG. 4

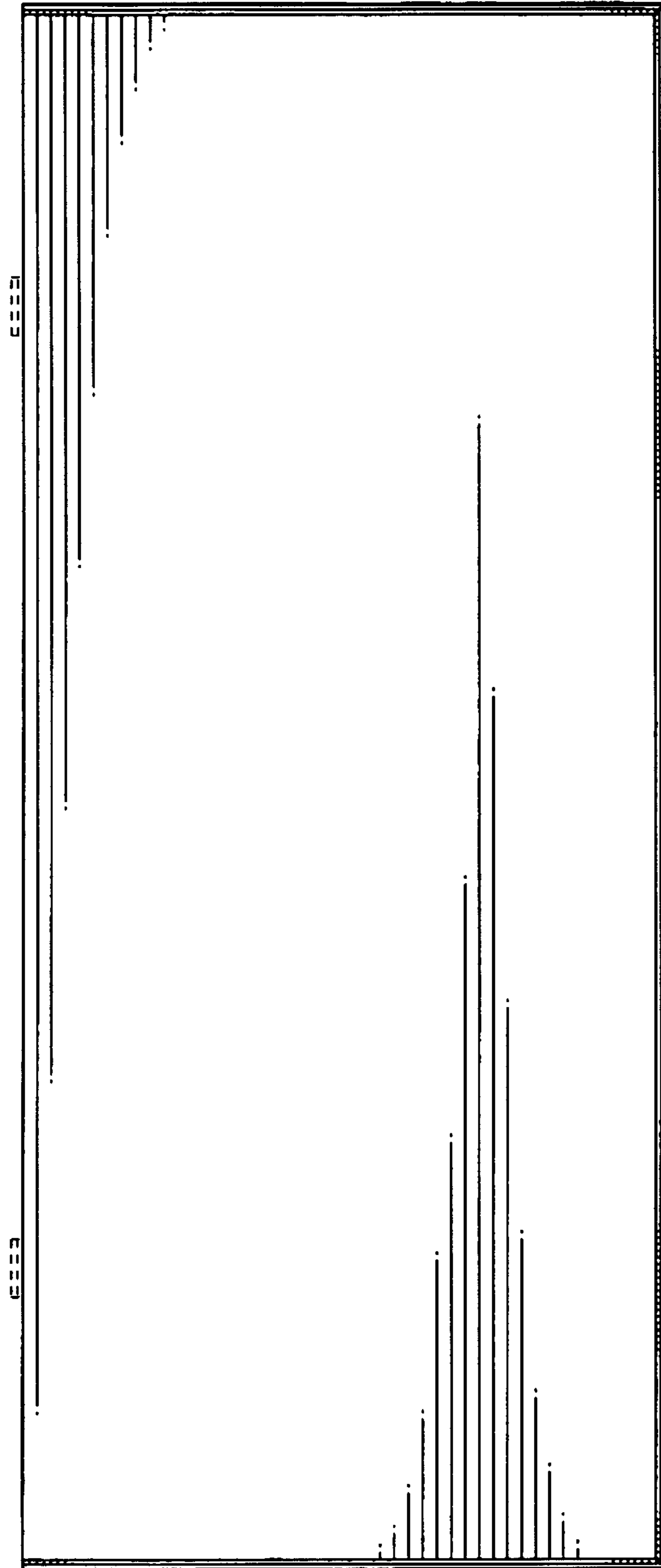


FIG. 5

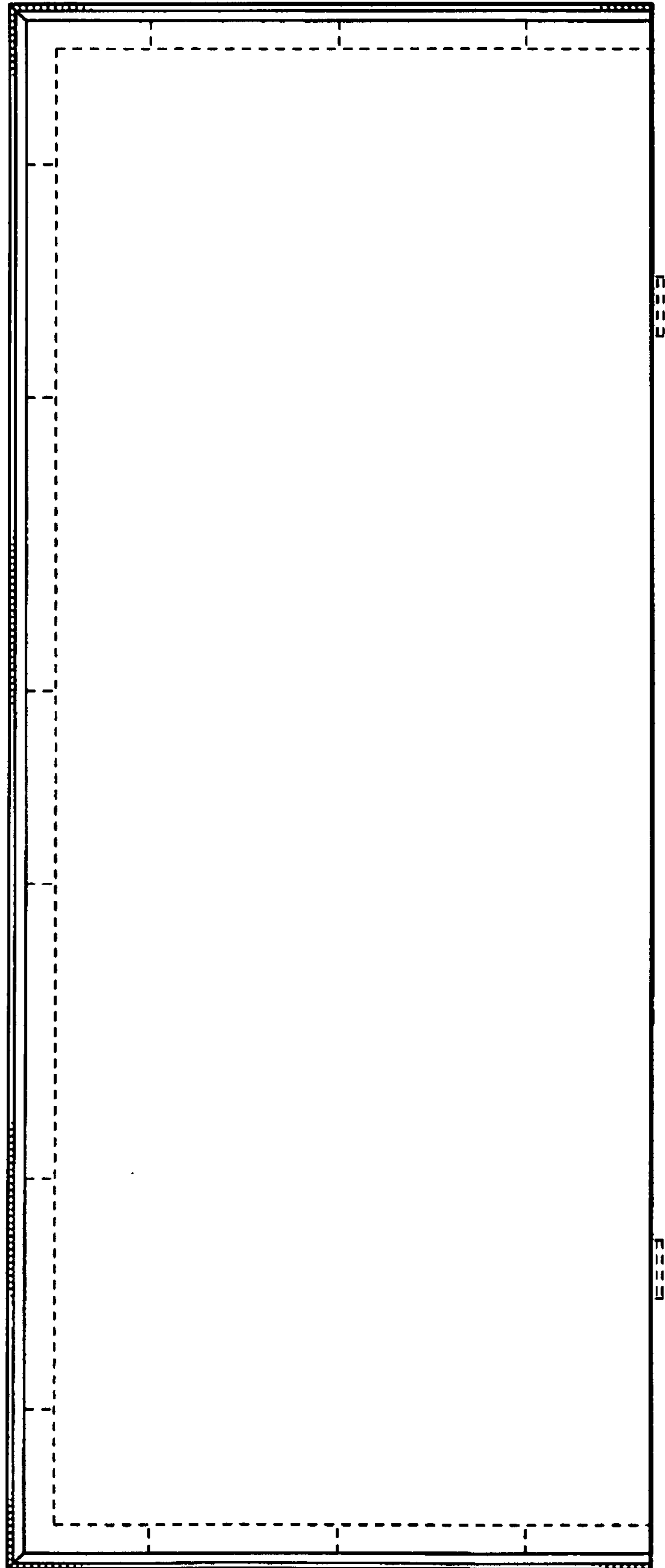


FIG. 6