



US00D535116S

(12) **United States Design Patent**
Maitland-Smith

(10) **Patent No.:** **US D535,116 S**
(45) **Date of Patent:** **** Jan. 16, 2007**

(54) **CAMPAIGN DESK**

(75) Inventor: **Paul Maitland-Smith**, Phuket (TH)

(73) Assignee: **Statecraft International Inc.**, Port Vila (VU)

(**) Term: **14 Years**

(21) Appl. No.: **29/230,155**

(22) Filed: **May 17, 2005**

(51) **LOC (8) Cl.** **06-03**

(52) **U.S. Cl.** **D6/425; D6/480**

(58) **Field of Classification Search** D6/480-489,
D6/495-499, 422-426, 440; 108/150, 153.1,
108/155, 156, 157.1, 161, 157.18; 248/188,
248/188.1; 312/194-196

See application file for complete search history.

(56) **References Cited**

U.S. PATENT DOCUMENTS

D19,410 S	*	11/1889	Billings	D6/425
D427,804 S	*	7/2000	Olson	D6/426
D434,922 S	*	12/2000	Walters et al.	D6/426
D517,835 S	*	3/2006	O'Hare	D6/422

OTHER PUBLICATIONS

7100-002 Walnut Campaign Desk with Brown Leather Writing Surface, Theodore Alexander catalog, p. 395, 2003.

7100-011 Walnut Campaign Desk with Brown Leather Writing Surface and Drawers, Theodore Alexander catalog, p. 397, 2003.

7100-049 Walnut Lady's Bureau with Brass Gallery, Drawer Pull Outs to Retract Tambour and Reveals Fitted Interior, Theodore Alexander catalog, p. 402, 2003.

7100-050 Walnut Campaign Desk on Spanish Base with Wrought Iron Stretchers and Brown Leather Top, Theodore Alexander catalog, p. 403, 2003.

5021-019 Engraved Brass Round Lamp Table Supported by Three Bronze Swords, Theodore Alexander catalog, p. 88, 2003.

5021-047 Occasional Table with Engraved Brass Top & Undertier on Bronze Sword Legs, Theodore Alexander catalog, p. 93, 2003.

5121-009 Bronze Sword Cocktail Table with Slides & Engraved Brass Top, Theodore Alexander catalog, p. 139, 2003.

* cited by examiner

Primary Examiner—Janice Seeger

(74) *Attorney, Agent, or Firm*—Womble Carlyle Sandridge & Rice, PLLC

(57) **CLAIM**

The ornamental design for a campaign desk, as shown and described.

DESCRIPTION

FIG. 1 is a perspective view of a campaign desk showing my new design;

FIG. 2 is a front elevational view thereof;

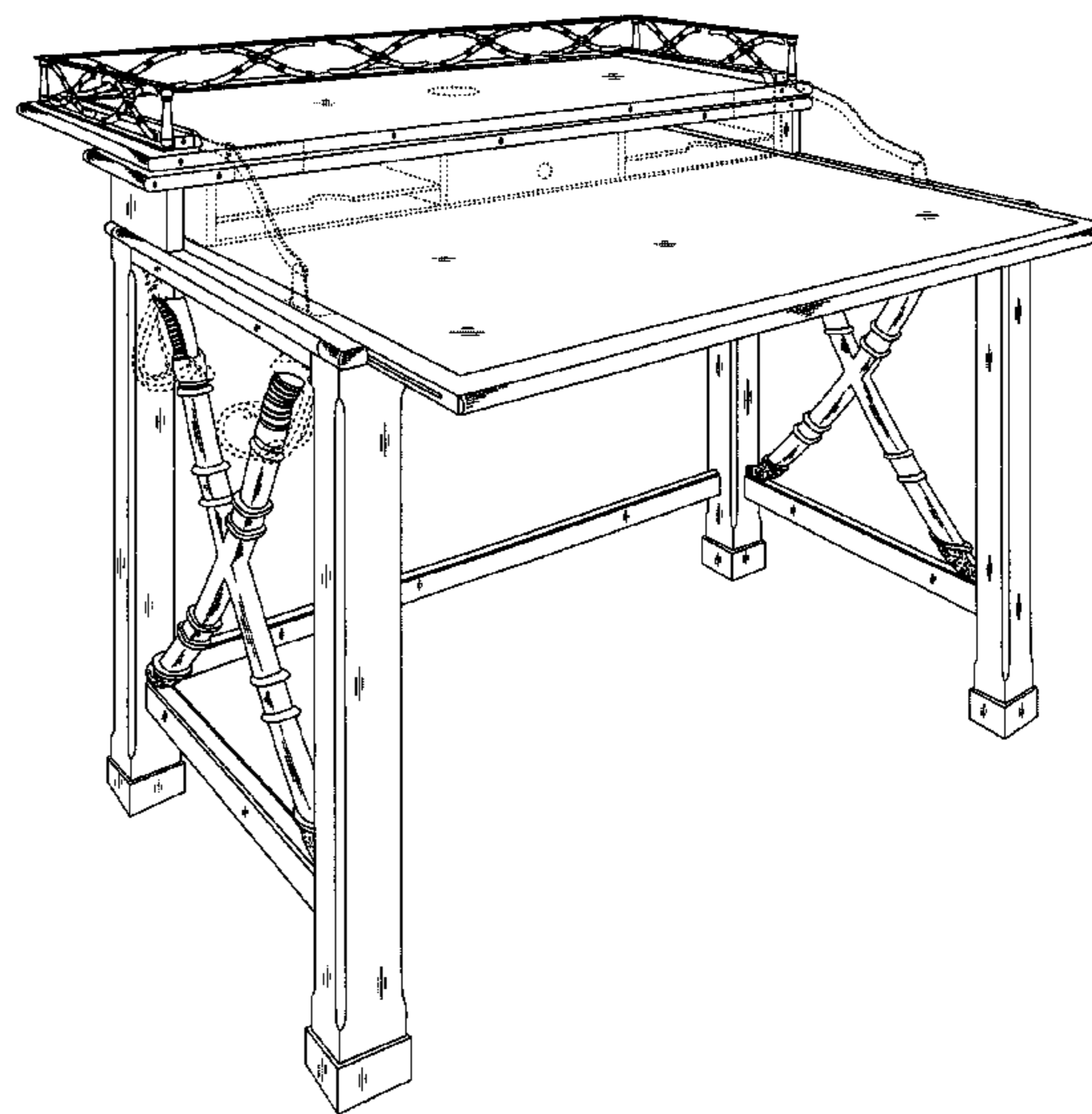
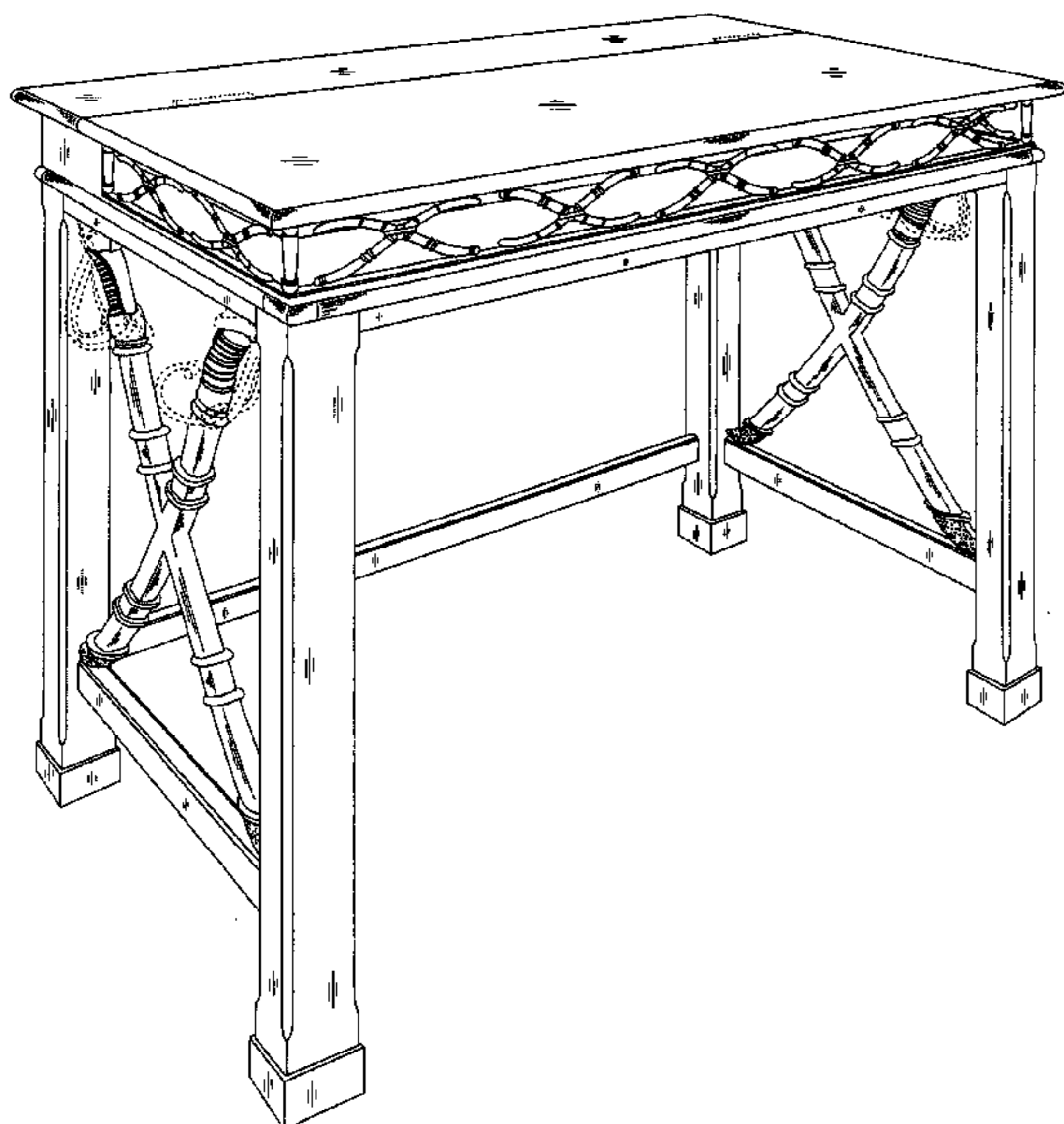
FIG. 3 is a side elevational view, the opposite side being a mirror image thereof;

FIG. 4 is a top view thereof; and,

FIG. 5 is a perspective view in an open position thereof.

The views of the campaign desk not shown form no part of the claimed design. The broken lines depicting hardware, hinges, drawers and ornamentation shown when desk is in open position represent environmental elements only and form no part of the claimed design.

1 Claim, 5 Drawing Sheets



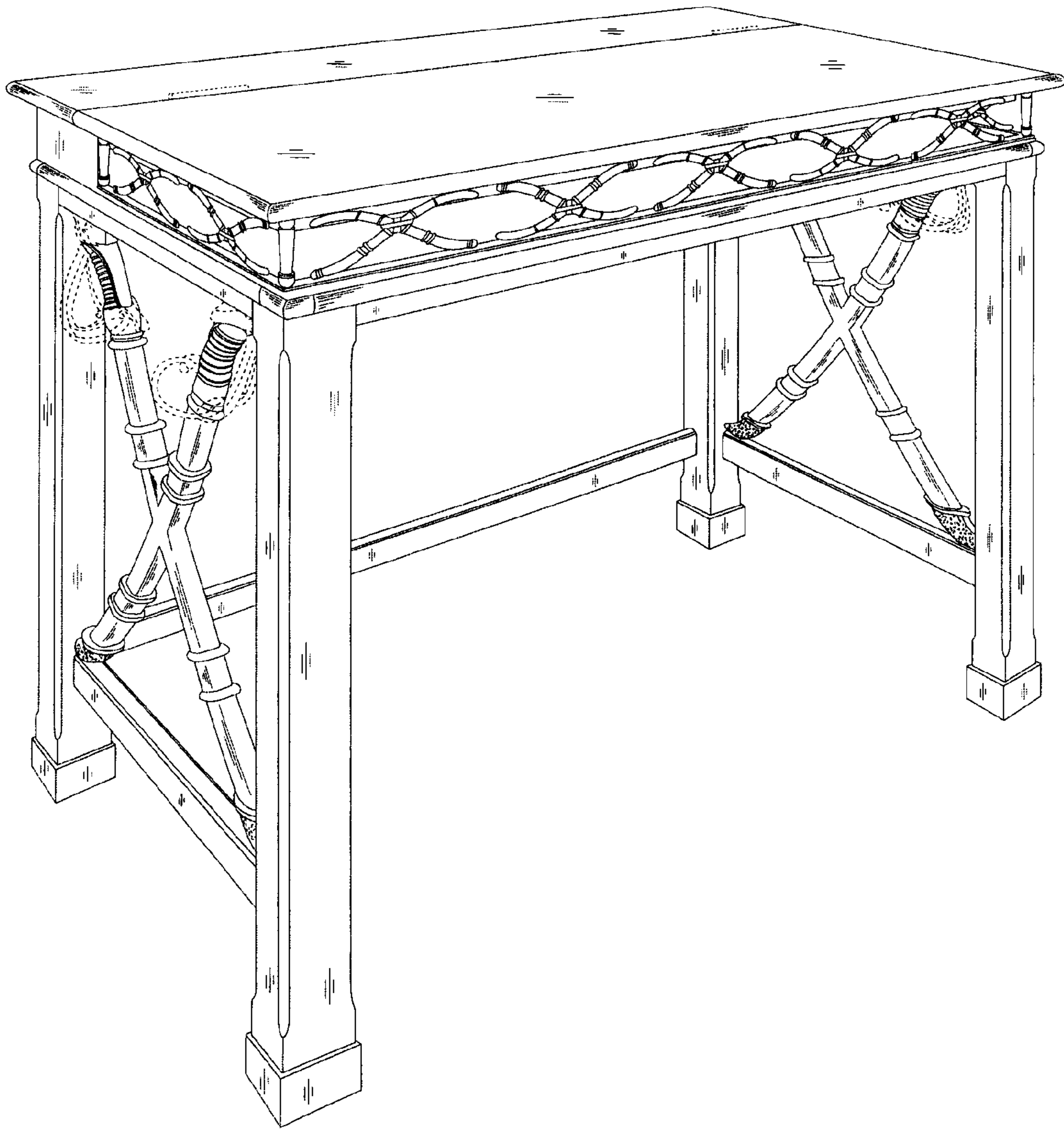


FIG. 1

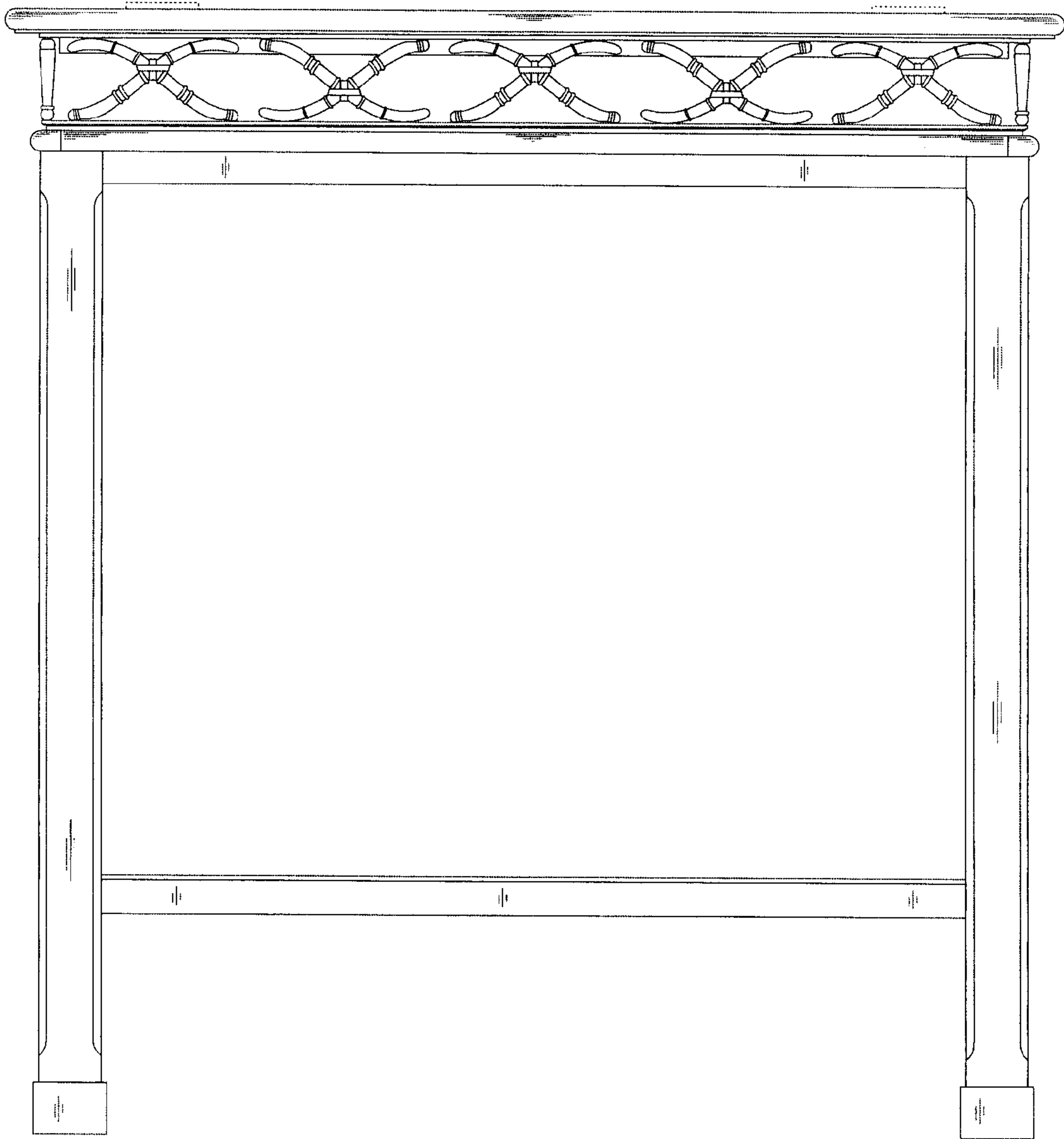


FIG. 2

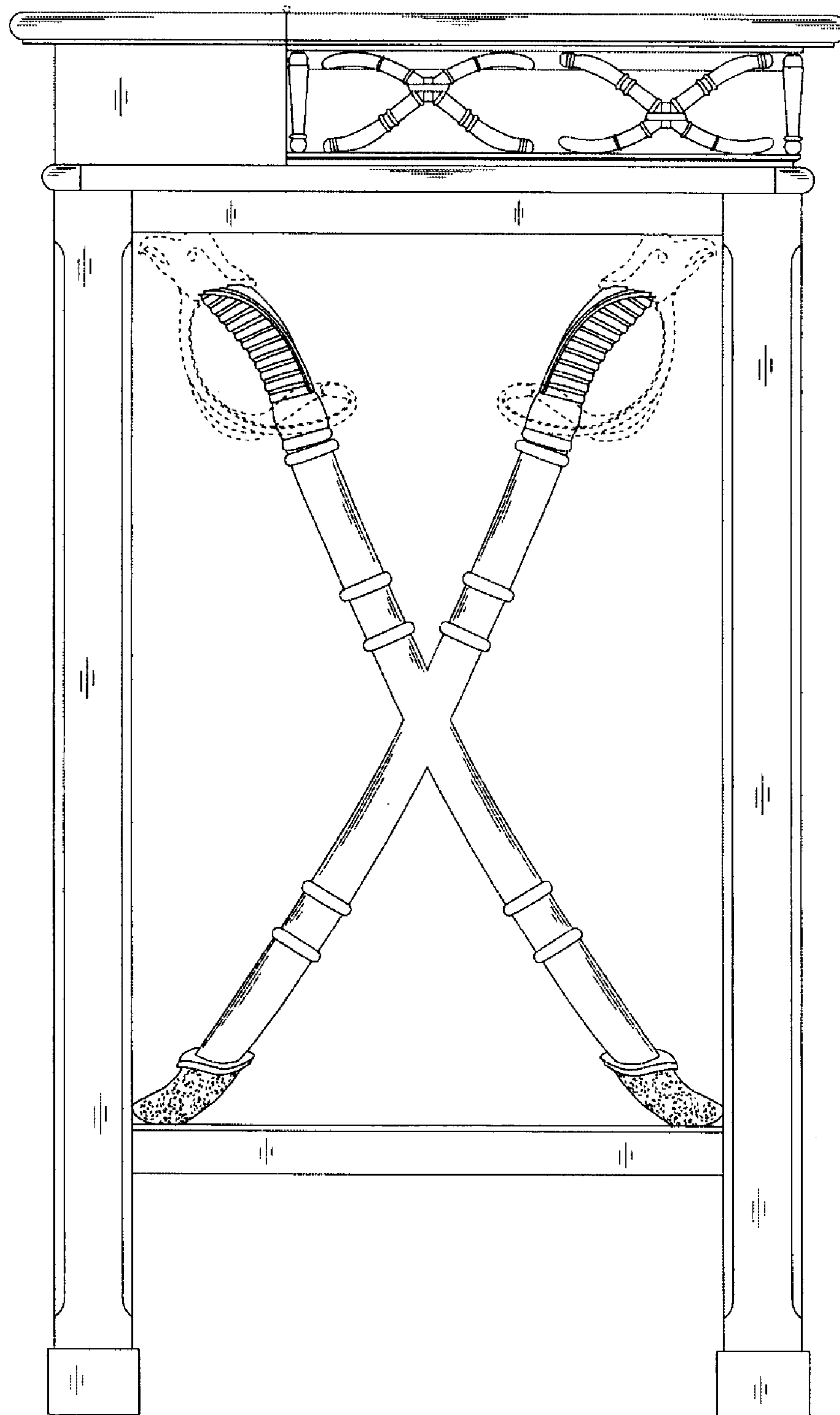


FIG. 3

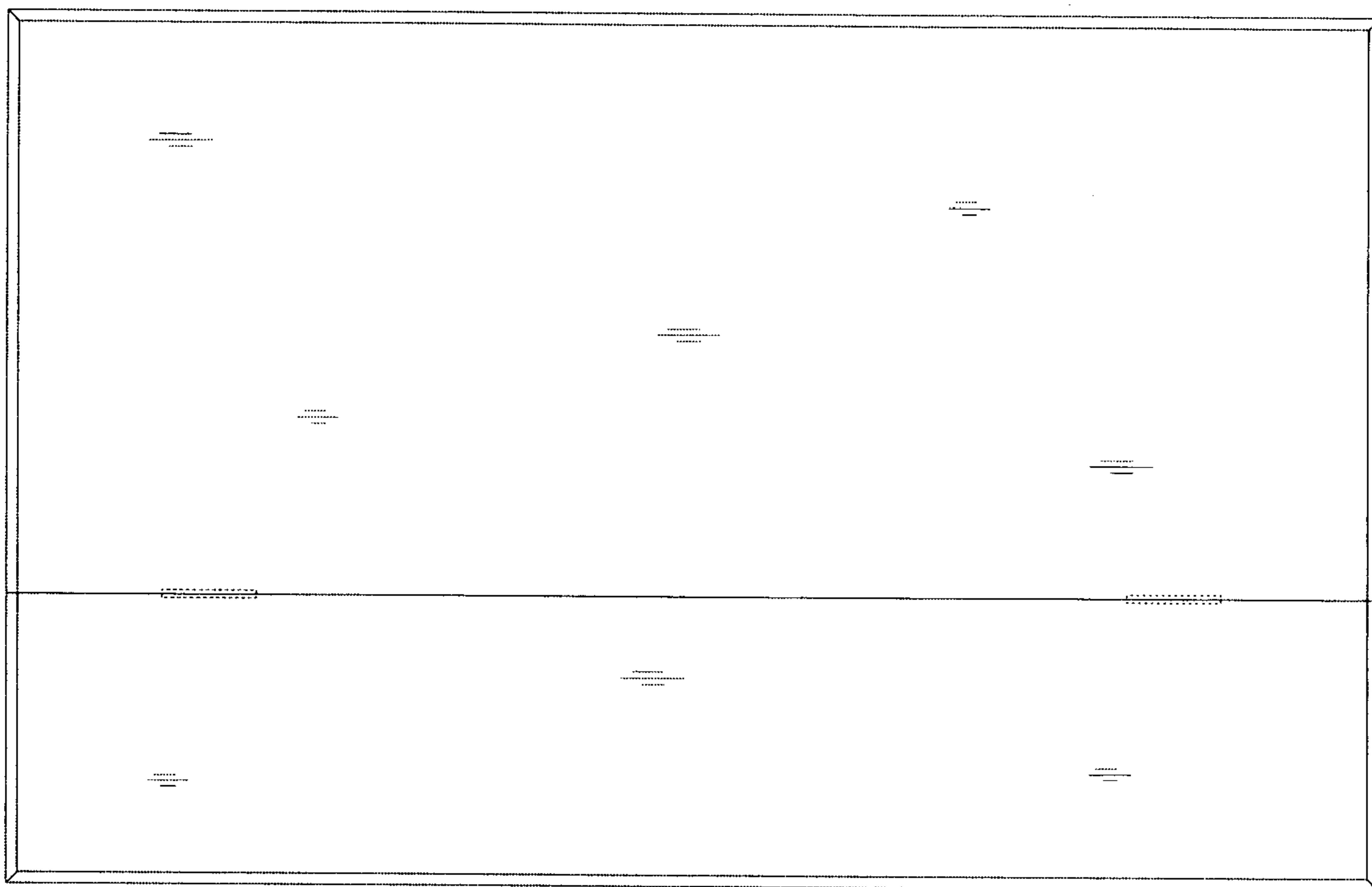


FIG. 4

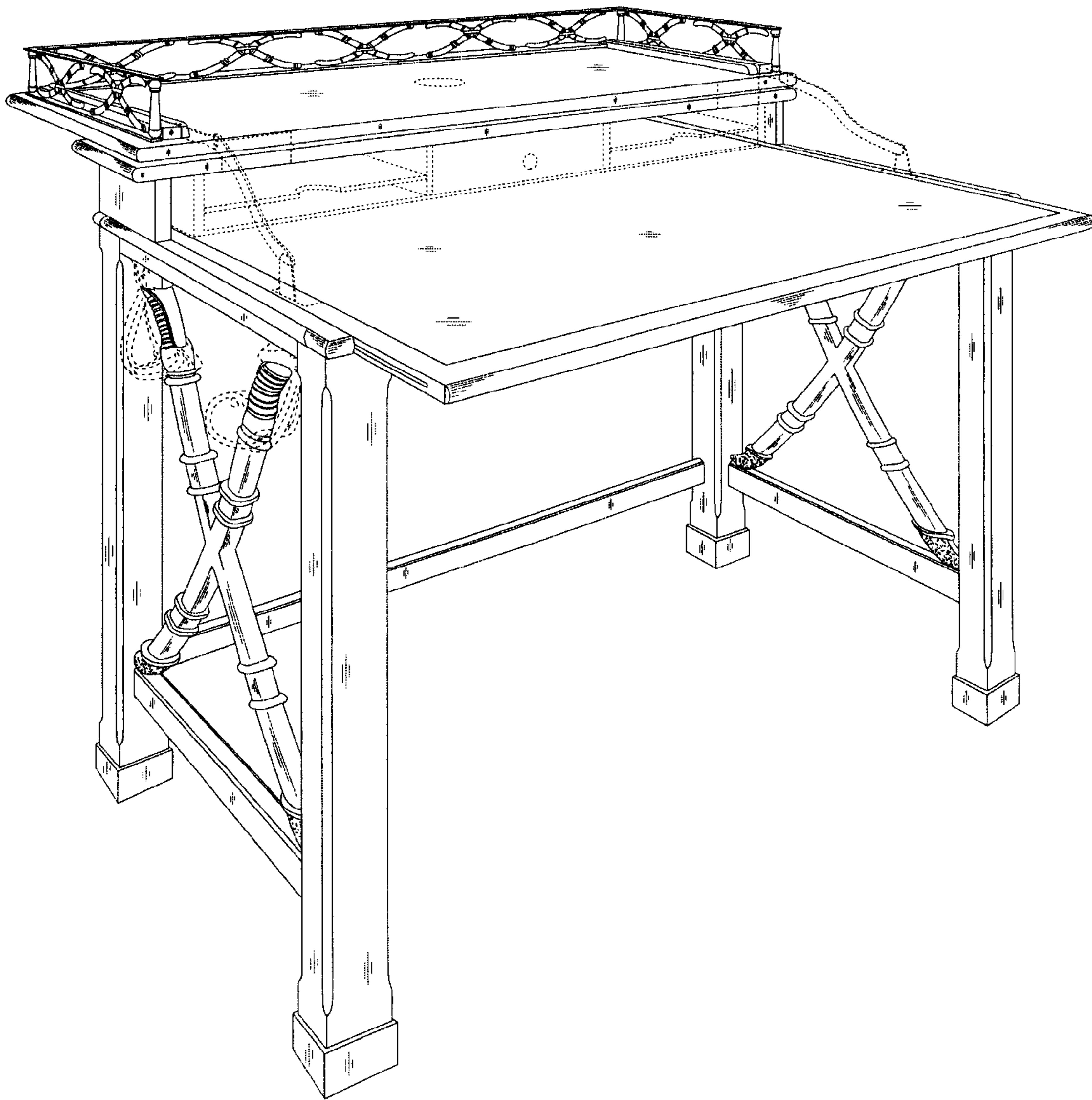


FIG. 5