



US00D535115S

(12) **United States Design Patent**  
**Rooz et al.**

(10) **Patent No.:** **US D535,115 S**

(45) **Date of Patent:** **\*\* Jan. 16, 2007**

(54) **BED**

(75) Inventors: **David Rooz**, Carcur (IL); **Itzhak Regev**, Tel Aviv (IL)

(73) Assignee: **Aminach Bedding & Furniture Manufacturing Ltd.**, Ramla (IL)

(\*\*) Term: **14 Years**

(21) Appl. No.: **29/262,241**

(22) Filed: **Jun. 29, 2006**

**Related U.S. Application Data**

(62) Division of application No. 29/224,994, filed on Mar. 9, 2005.

(30) **Foreign Application Priority Data**

Sep. 9, 2004 (IL) ..... 39663

(51) **LOC (8) Cl.** ..... **06-01**

(52) **U.S. Cl.** ..... **D6/382**

(58) **Field of Classification Search** ..... D6/382-395,  
D6/397; 5/279.1, 280, 281, 2.1, 907, 8, 9.1  
See application file for complete search history.

(56) **References Cited**

**U.S. PATENT DOCUMENTS**

D406,473 S 3/1999 Lin et al.  
D494,377 S 8/2004 Rooz et al.  
D494,378 S 8/2004 Rooz et al.

**OTHER PUBLICATIONS**

IKEA, 1986, p. 121, bed at top of page.\*

\* cited by examiner

*Primary Examiner*—Janice E. Seeger

(74) *Attorney, Agent, or Firm*—Browdy and Neimark, PLLC

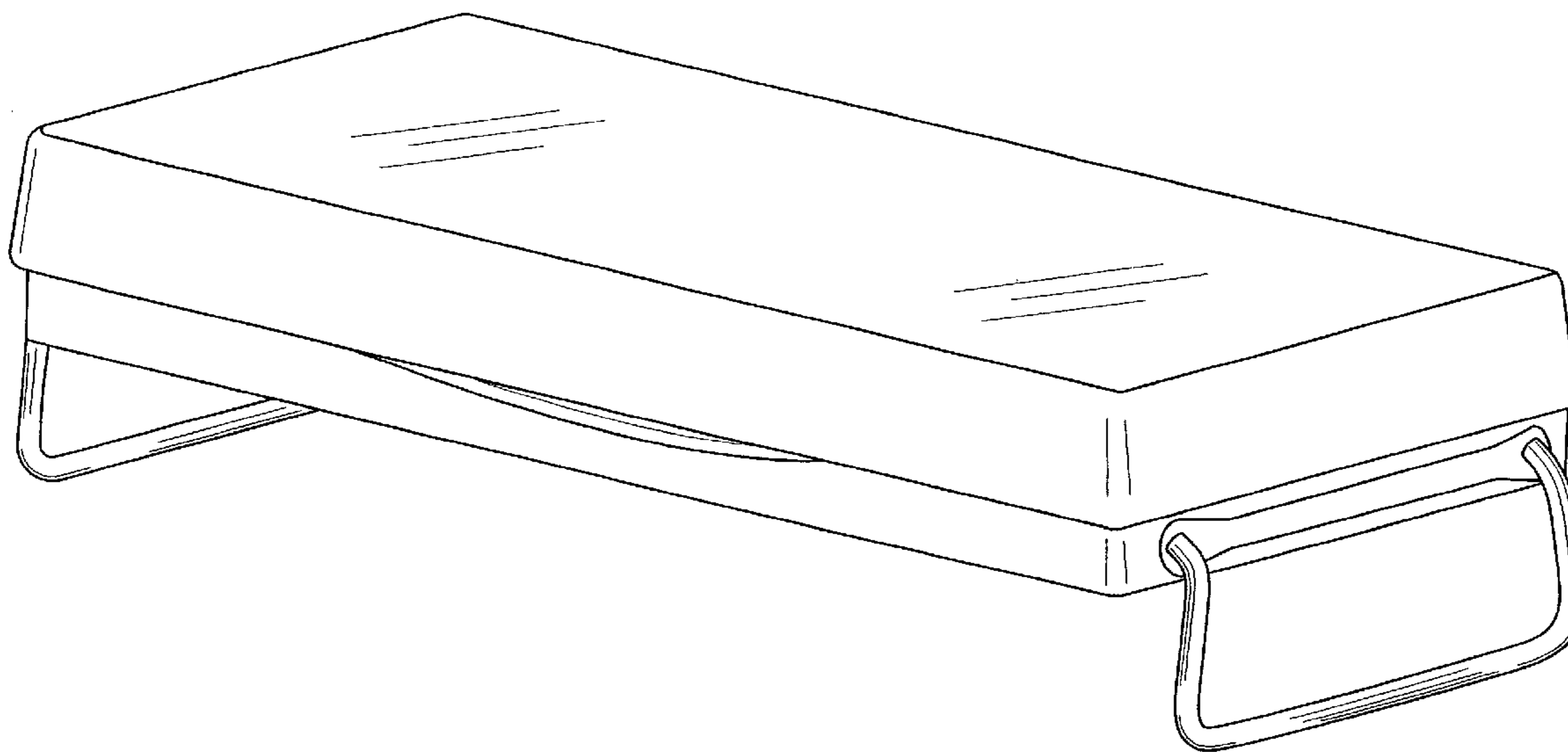
(57) **CLAIM**

The ornamental design for a bed, as shown and described.

**DESCRIPTION**

FIG. 1 is a perspective view of a bed in accordance with the present design;  
FIG. 2 is a front view thereof; and,  
FIG. 3 is a side view thereof.

**1 Claim, 2 Drawing Sheets**



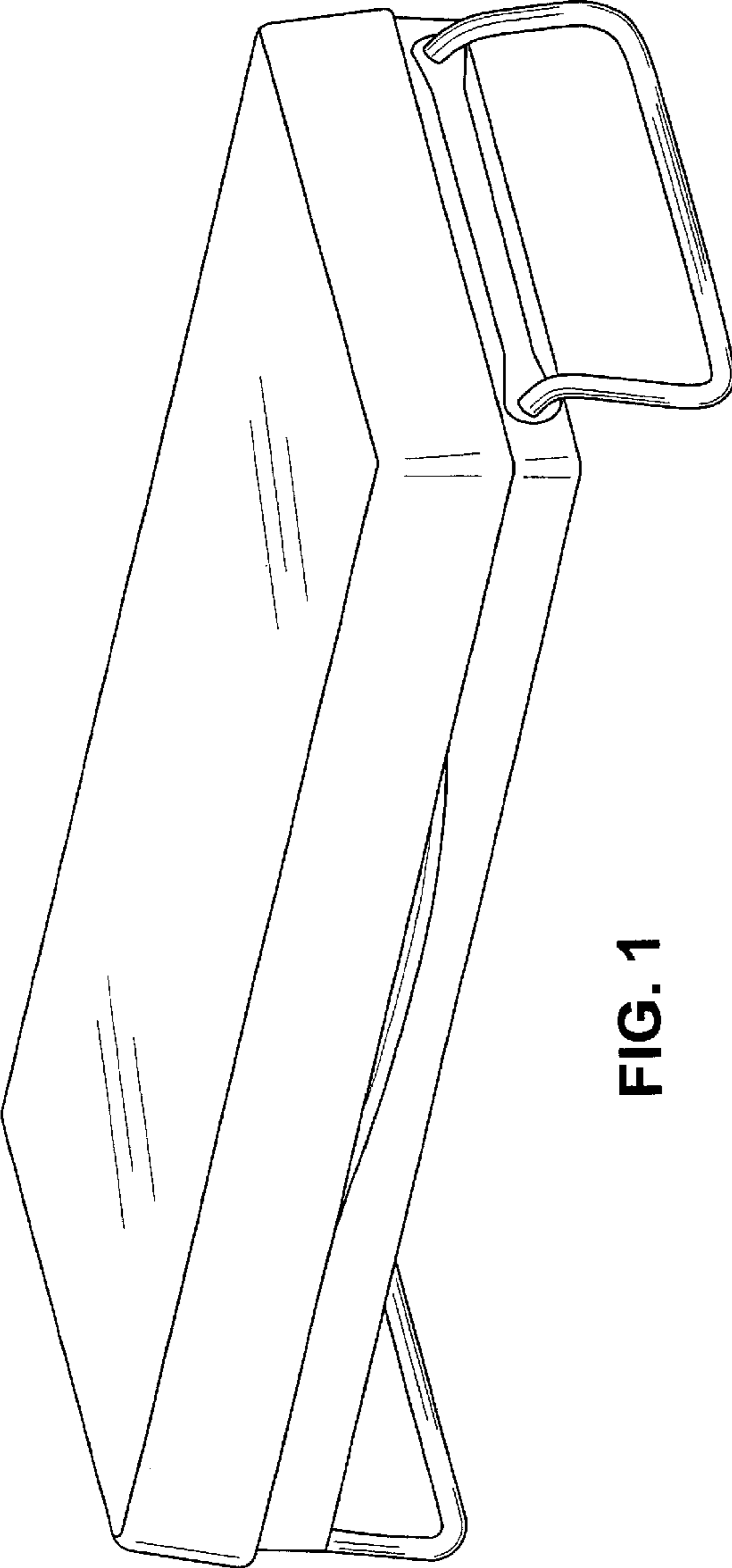


FIG. 1

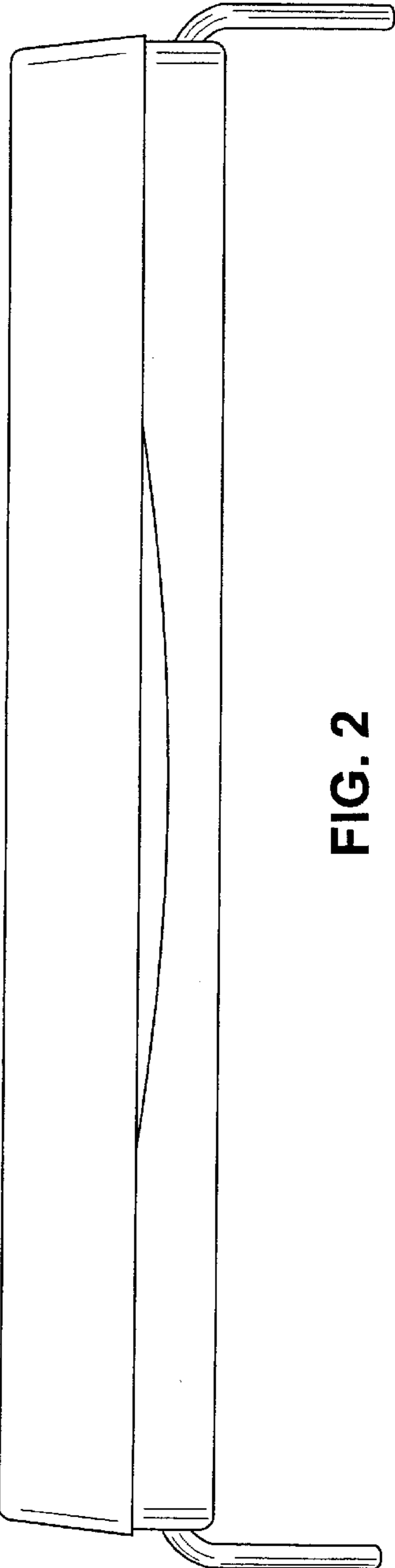
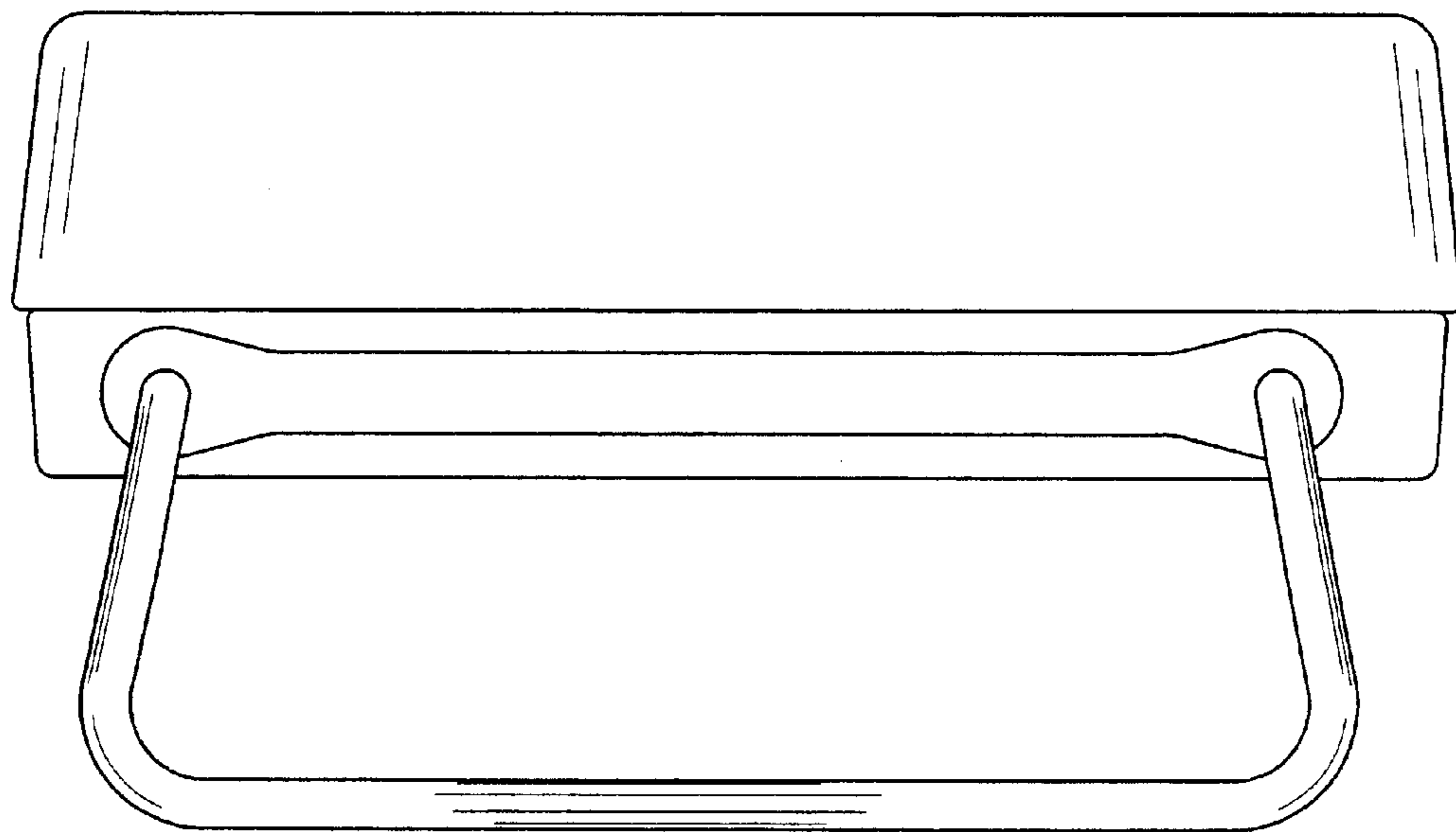


FIG. 2



**FIG. 3**