



US00D535113S

(12) **United States Design Patent**
Wang

(10) **Patent No.:** **US D535,113 S**

(45) **Date of Patent:** **** Jan. 16, 2007**

(54) **CHAIR**

(75) Inventor: **Kung-Han Wang**, Taipei Hsien (TW)

(73) Assignee: **Seda Chemical Products Co., Ltd.**,
Taipei Hsien (TW)

(**) Term: **14 Years**

(21) Appl. No.: **29/238,151**

(22) Filed: **Sep. 13, 2005**

(51) **LOC (8) Cl.** **06-01**

(52) **U.S. Cl.** **D6/366**

(58) **Field of Classification Search** D6/334-335,
D6/356, 364, 365, 366, 367, 368, 374, 498,
D6/500-502; 297/452.21, 452.24, 452.26,
297/452.32, 452.33, 452.37, 452.48

See application file for complete search history.

(56) **References Cited**

U.S. PATENT DOCUMENTS

- D350,033 S * 8/1994 Beaulieu D6/366
- D399,664 S * 10/1998 Goodworth et al. D6/366
- D408,163 S * 4/1999 Olson D6/366

- D409,404 S * 5/1999 Kaczmarek D6/366
- D421,861 S * 3/2000 Ginat D6/500
- D451,315 S * 12/2001 Tseng D6/500
- D506,626 S * 6/2005 Chen D6/500
- D507,713 S * 7/2005 Chen D6/500
- D508,351 S * 8/2005 True D6/500

* cited by examiner

Primary Examiner—Mimosa De

(74) *Attorney, Agent, or Firm*—Bacon & Thomas, PLLC

(57) **CLAIM**

The ornamental design for a chair, as shown.

DESCRIPTION

FIG. 1 is a perspective view of a chair showing my new design;

FIG. 2 is a front elevational view thereof;

FIG. 3 is a rear elevational view thereof;

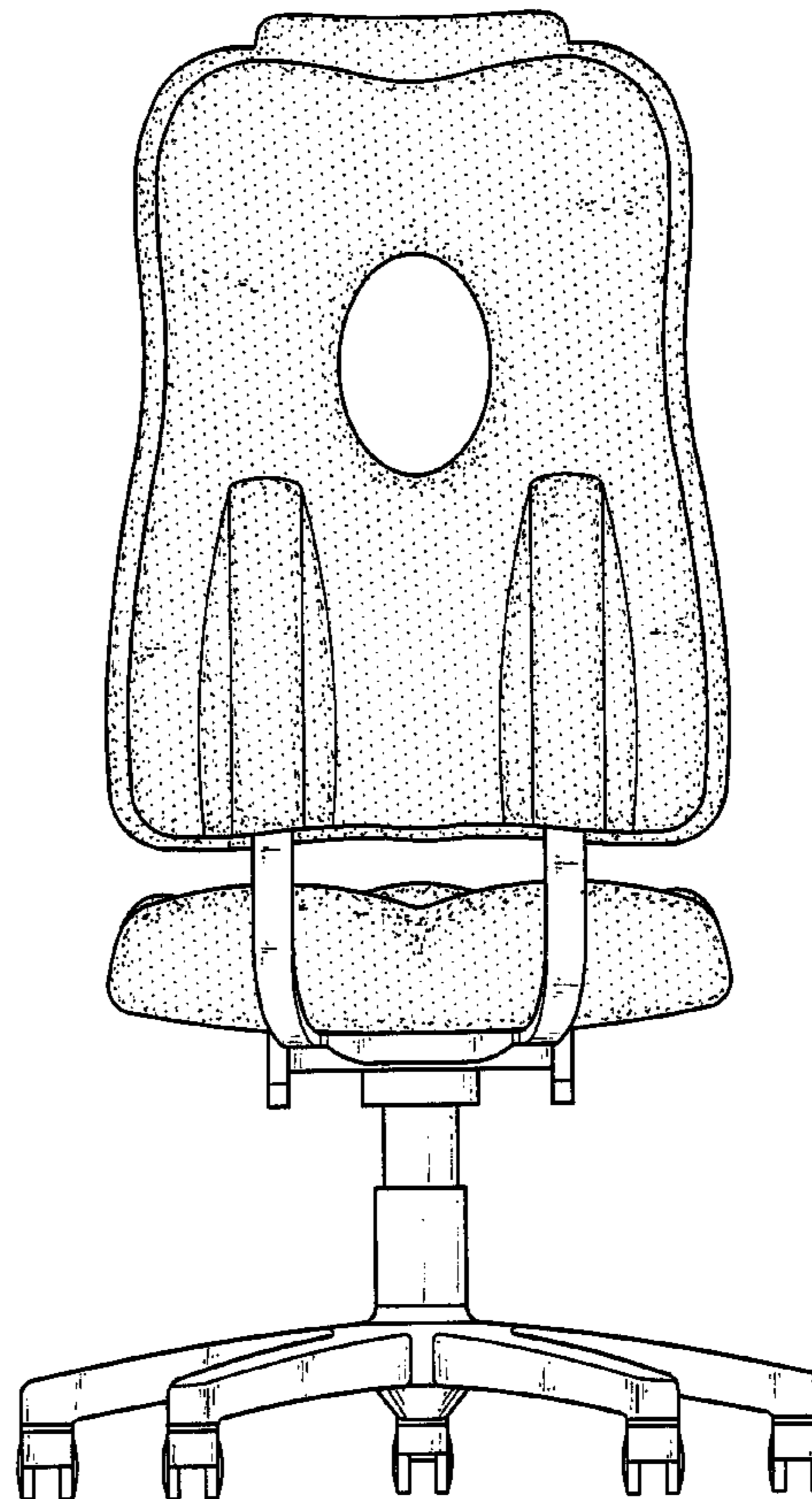
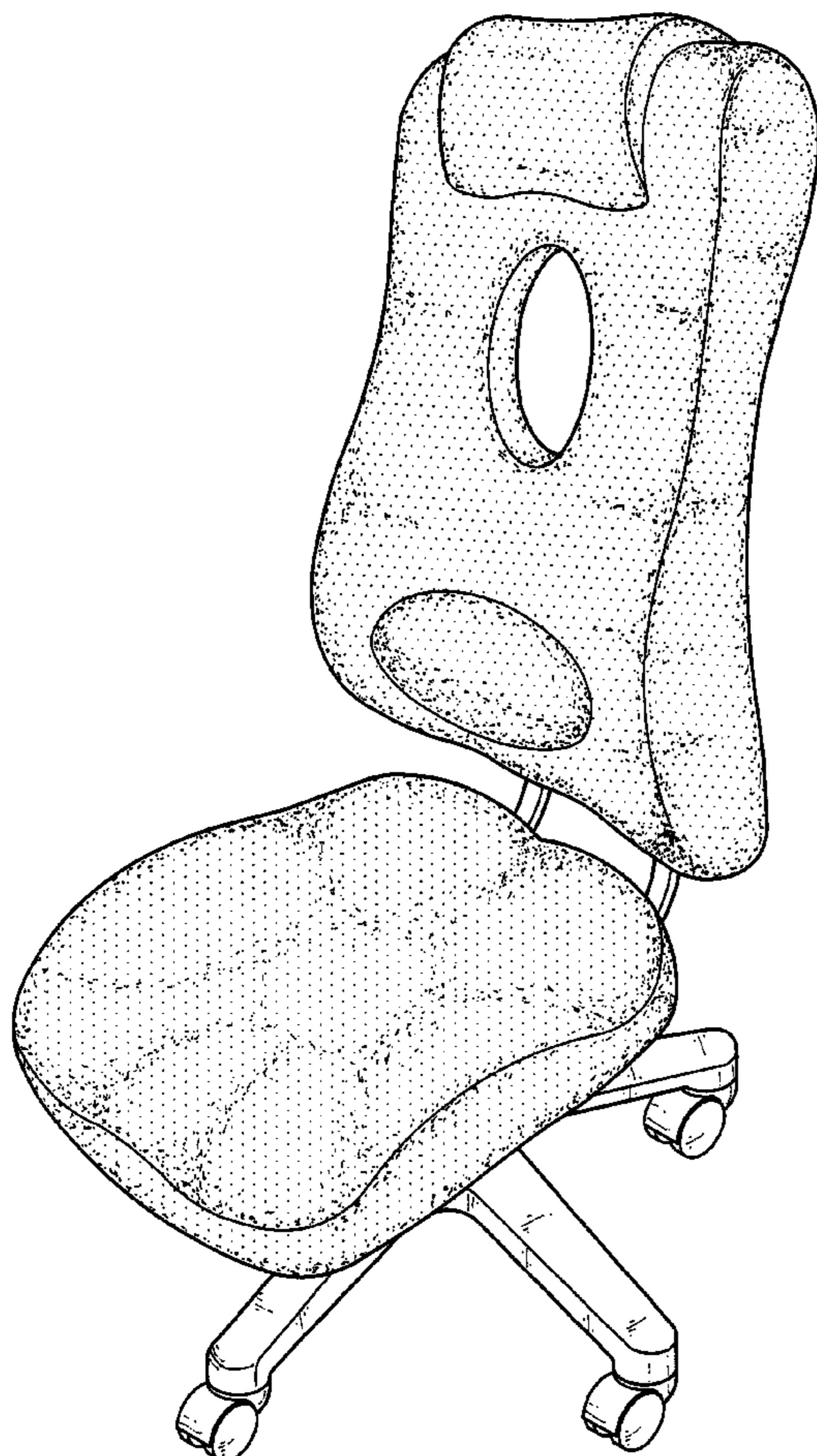
FIG. 4 is a left side elevational view thereof;

FIG. 5 is a right side elevational view thereof;

FIG. 6 is a top plan view thereof; and,

FIG. 7 is a bottom plan view thereof.

1 Claim, 6 Drawing Sheets



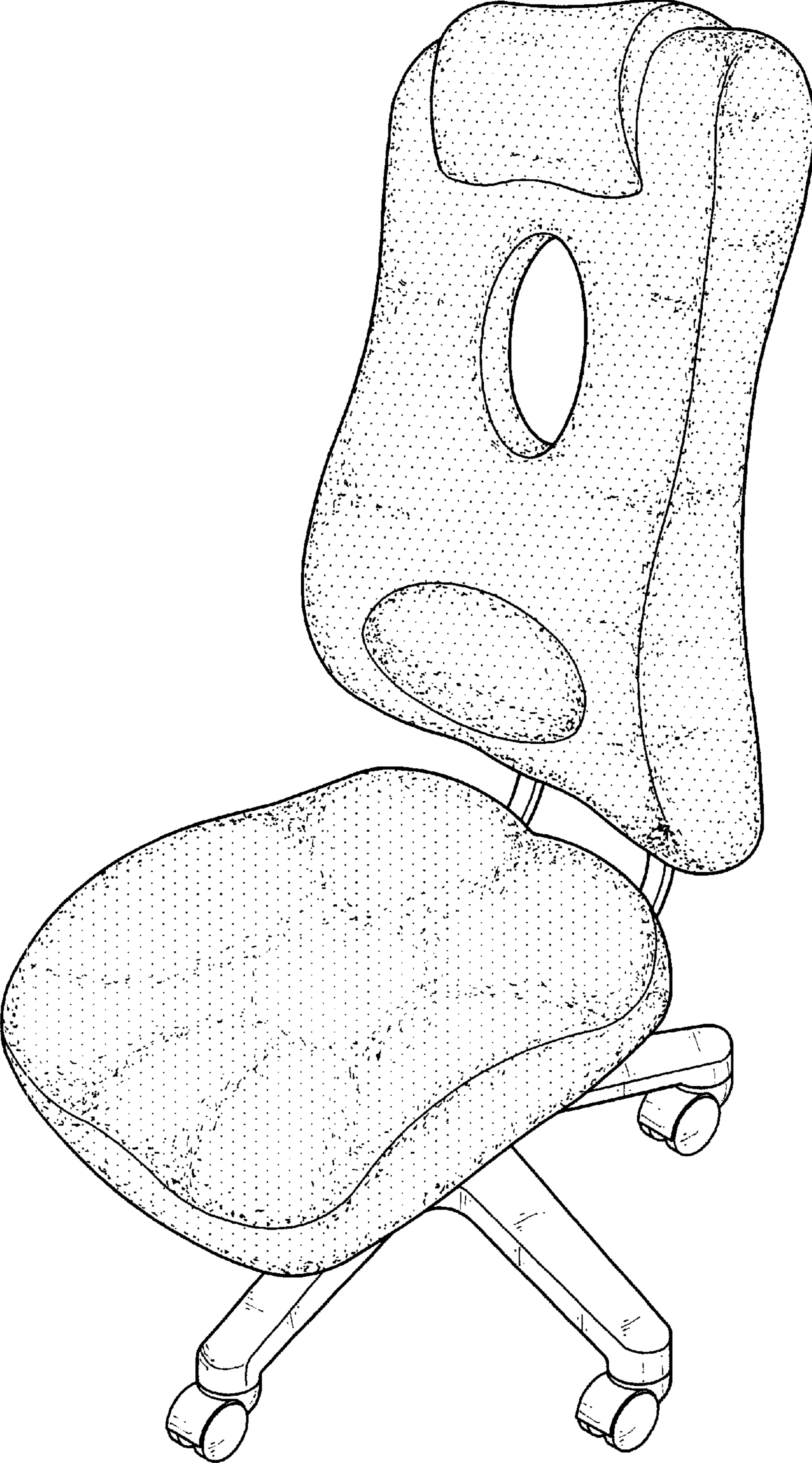


FIG. 1

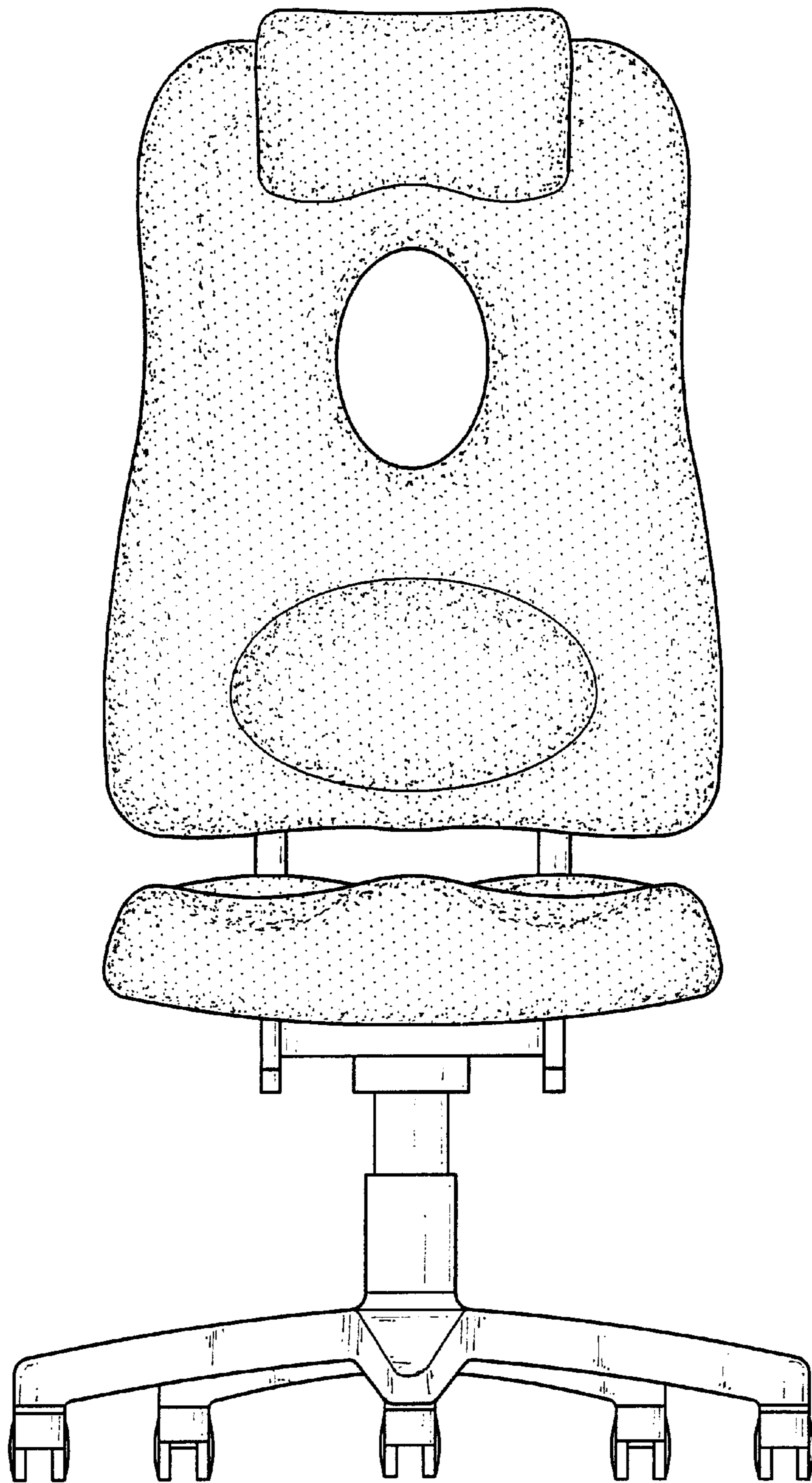


FIG. 2

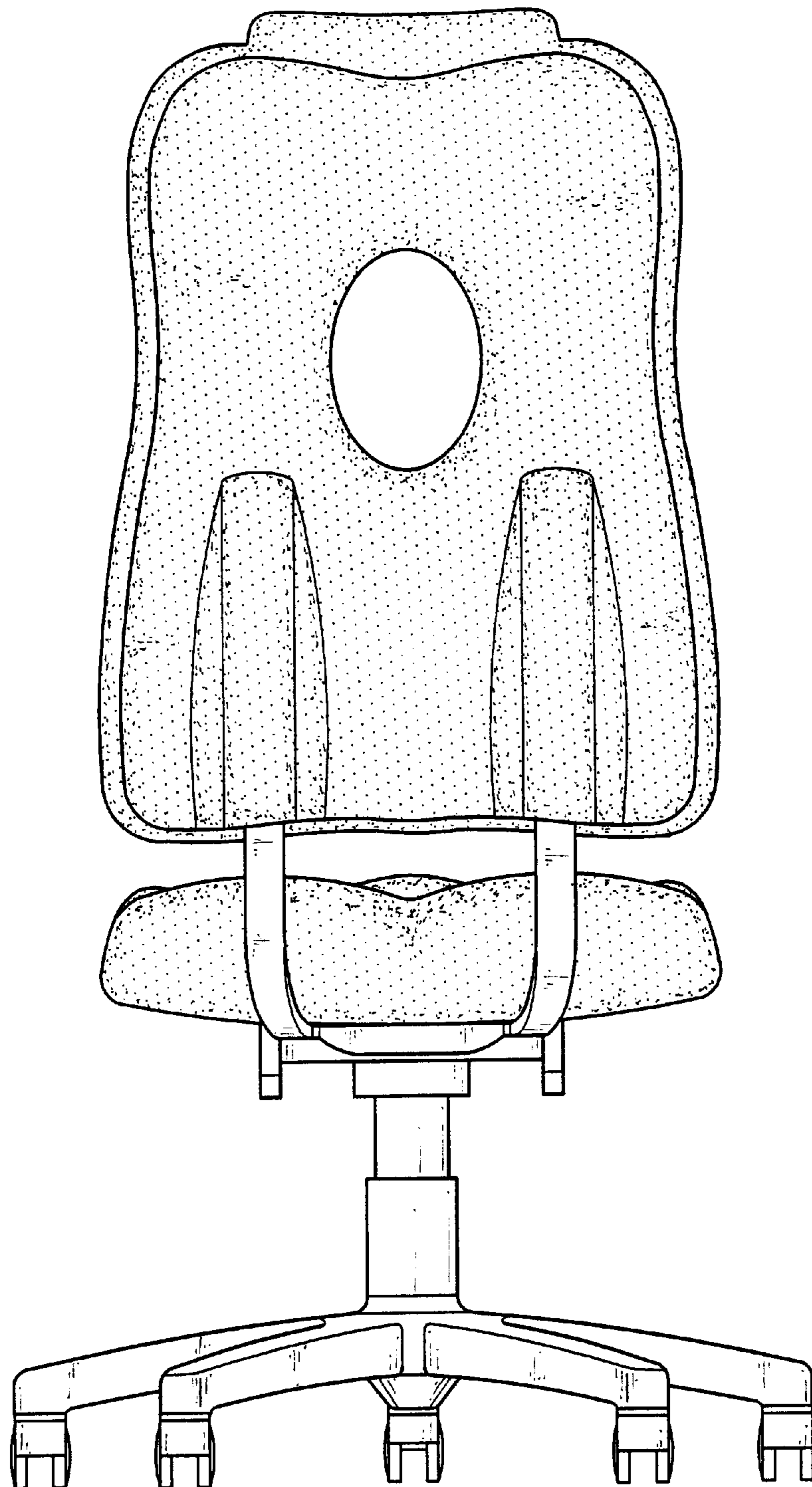


FIG. 3

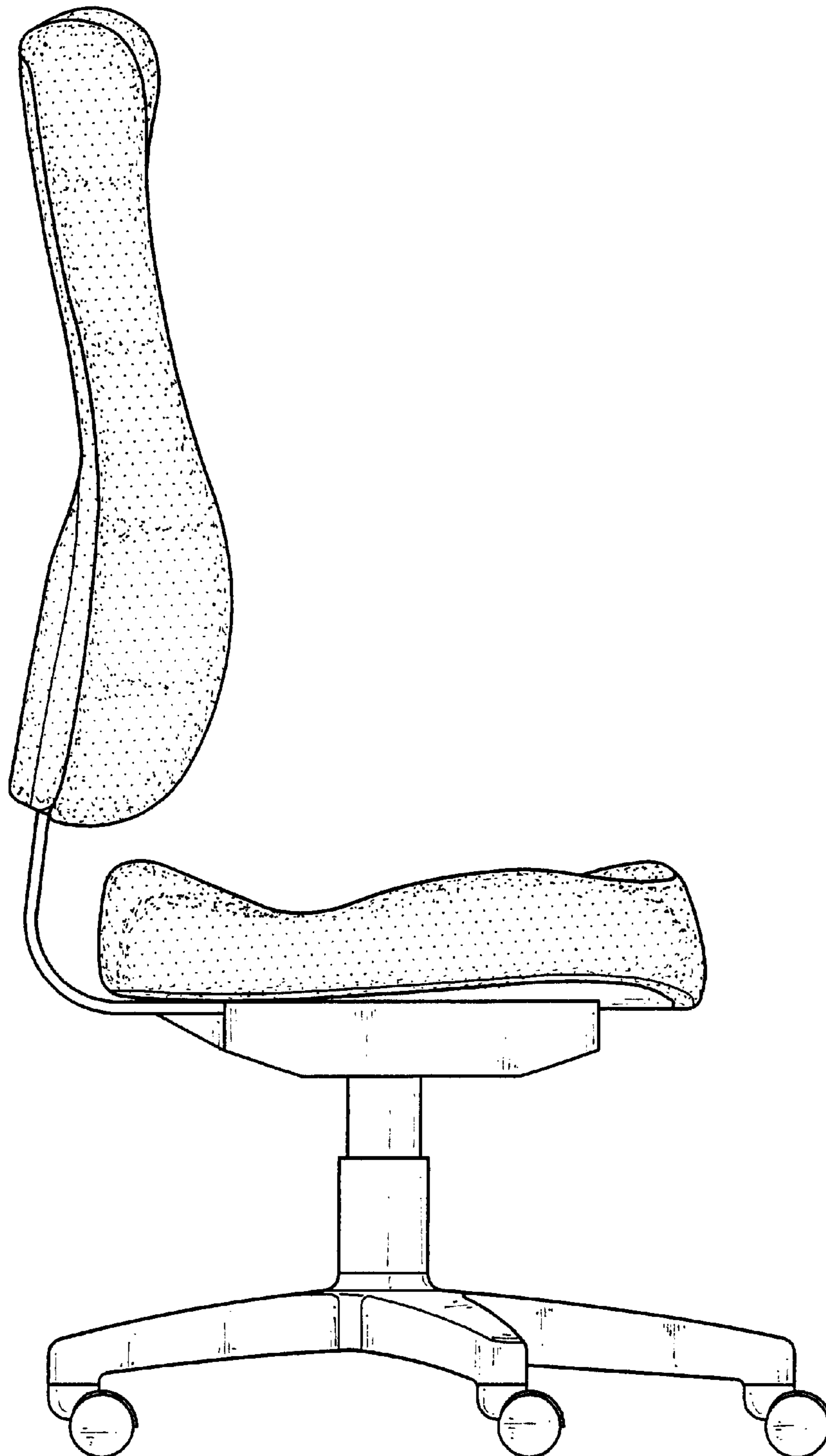


FIG. 4

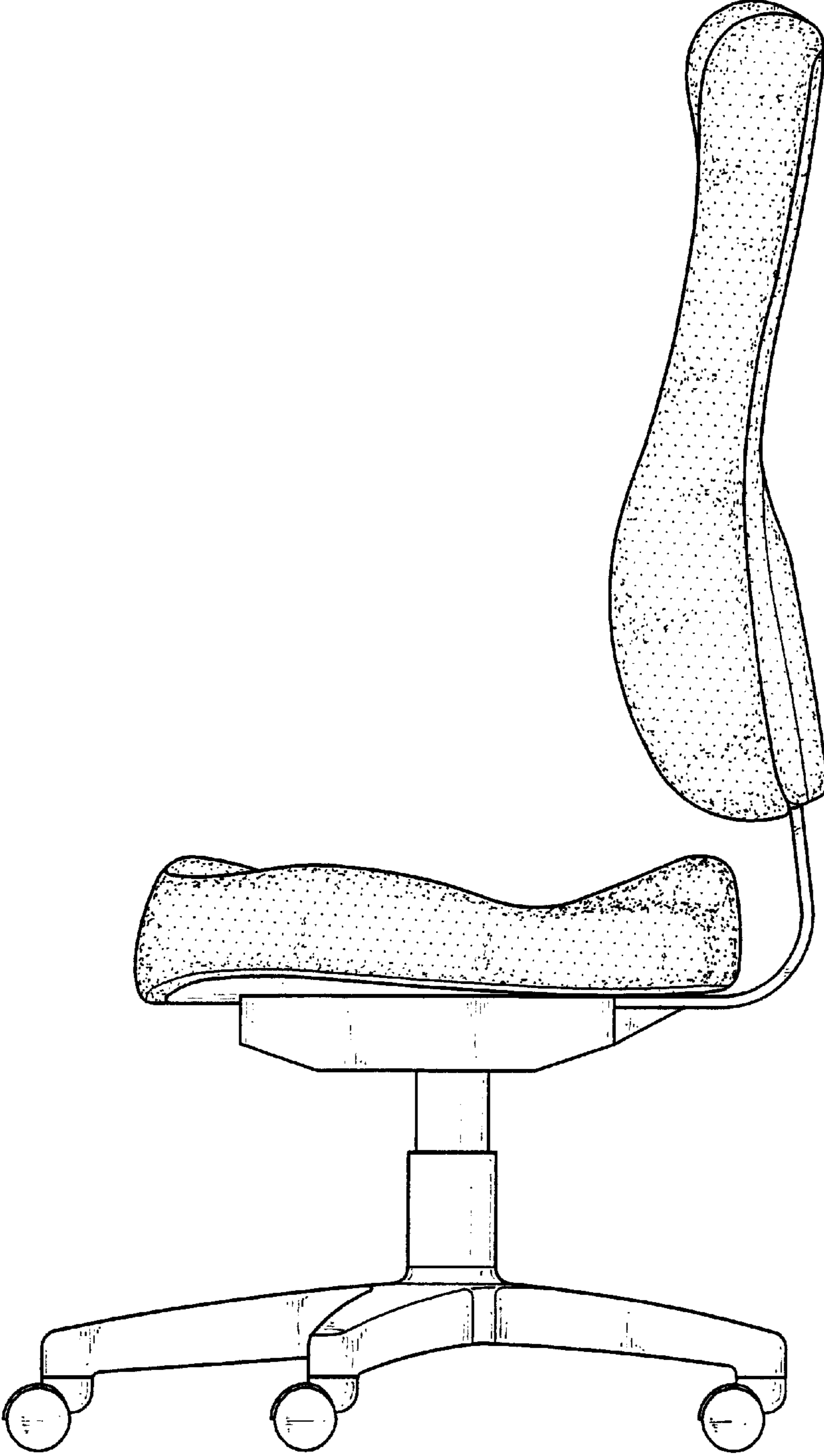


FIG. 5

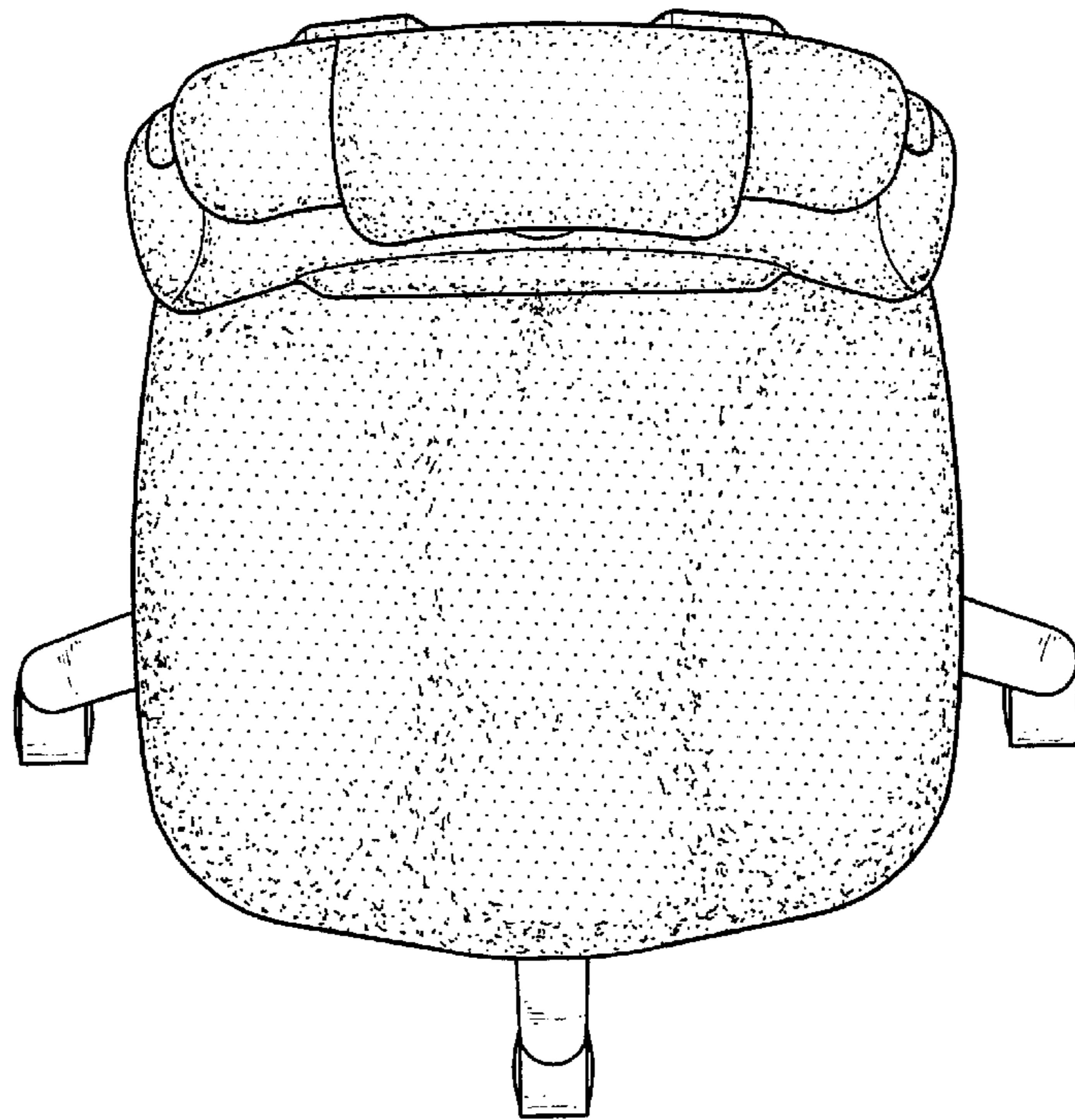


FIG. 6

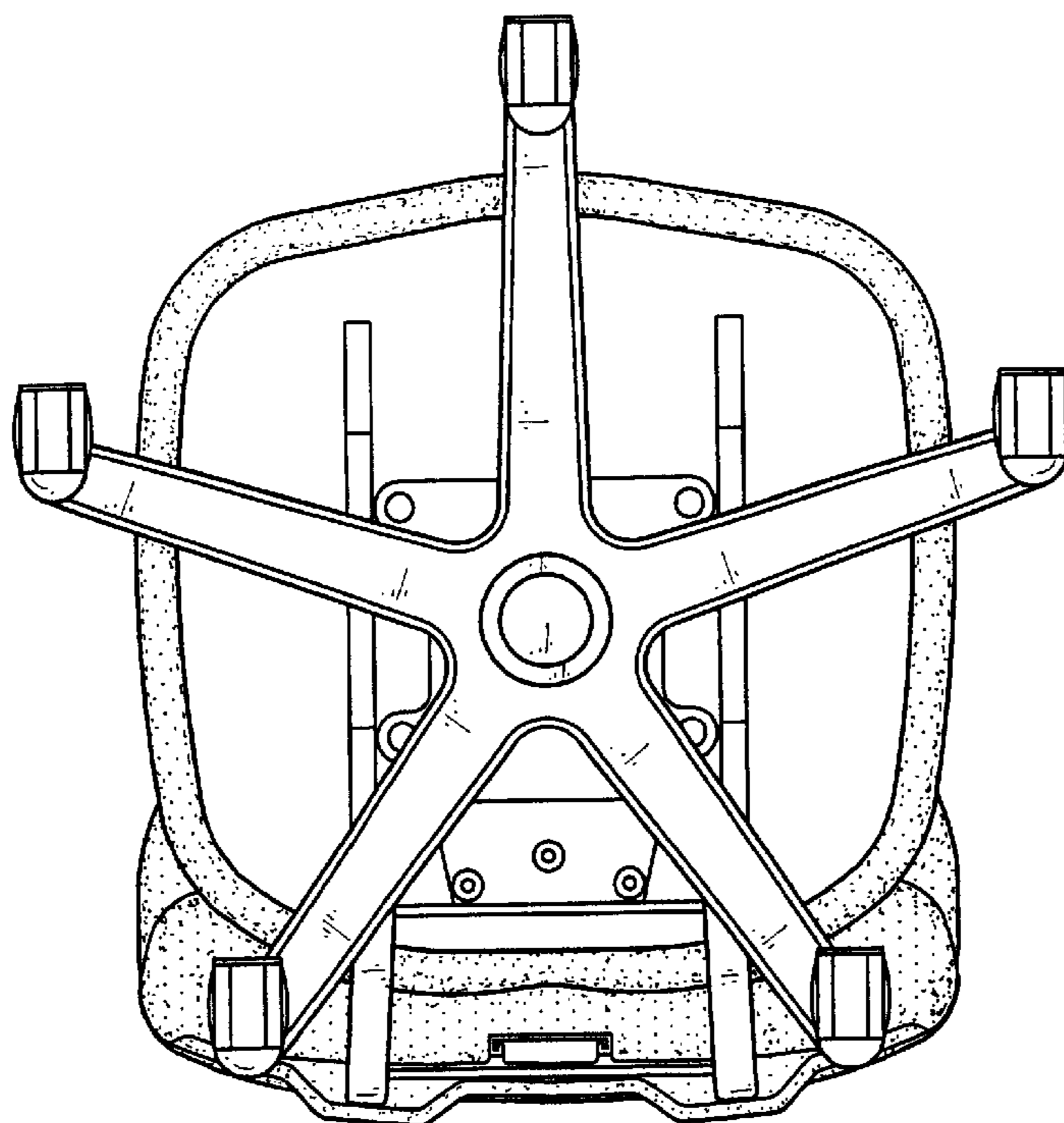


FIG. 7