



US00D535112S

(12) **United States Design Patent**
Bernett et al.

(10) **Patent No.:** **US D535,112 S**
(45) **Date of Patent:** **** Jan. 16, 2007**

(54) **CHAIR**

(75) Inventors: **Jeffrey T. Bennett**, New York, NY (US); **Nicholas Dodziuk**, New York, NY (US); **Gregory P. Allison**, Orefield, PA (US)

(73) Assignee: **Knoll, Inc.**, East Greenville, PA (US)

(**) Term: **14 Years**

(21) Appl. No.: **29/231,635**

(22) Filed: **Jun. 8, 2005**

(51) **LOC (8) Cl.** **06-01**

(52) **U.S. Cl.** **D6/366**

(58) **Field of Classification Search** D6/334-335, D6/356, 364, 365, 366, 367, 368, 374, 379, D6/498, 500-502; 297/411.27, 452.21, 452.29, 297/452.32, 452.35, 452.37, 452.48
See application file for complete search history.

(56) **References Cited**

U.S. PATENT DOCUMENTS

D327,781 S	*	7/1992	Citterio	D6/366
D390,712 S	*	2/1998	Koepke et al.	D6/366
D418,316 S	*	1/2000	Vogtherr	D6/366
D436,768 S	*	1/2001	Jenkins et al.	D6/366
D437,703 S	*	2/2001	Deacon	D6/366
D445,579 S	*	7/2001	Olson	D6/366

D456,625 S	*	5/2002	Frenkler et al.	D6/366
D467,443 S	*	12/2002	Kwon	D6/366
D472,722 S	*	4/2003	Moll	D6/366
D474,040 S	*	5/2003	Meda	D6/366
D481,230 S	*	10/2003	Piretti et al.	D6/500
D507,436 S	*	7/2005	Chao	D6/498
D517,335 S	*	3/2006	Kinoshita et al.	D6/366
D517,820 S	*	3/2006	Citterio	D6/366
D520,764 S	*	5/2006	Kinoshita et al.	D6/366
D521,755 S	*	5/2006	Kinoshita et al.	D6/366

* cited by examiner

Primary Examiner—Mimosa De

(74) *Attorney, Agent, or Firm*—Buchanan Ingersoll & Rooney PC

(57) **CLAIM**

The ornamental design for a chair, as shown and described.

DESCRIPTION

FIG. 1 is a perspective view of a chair showing our new design;

FIG. 2 is a front elevational view thereof;

FIG. 3 is a rear elevational view thereof;

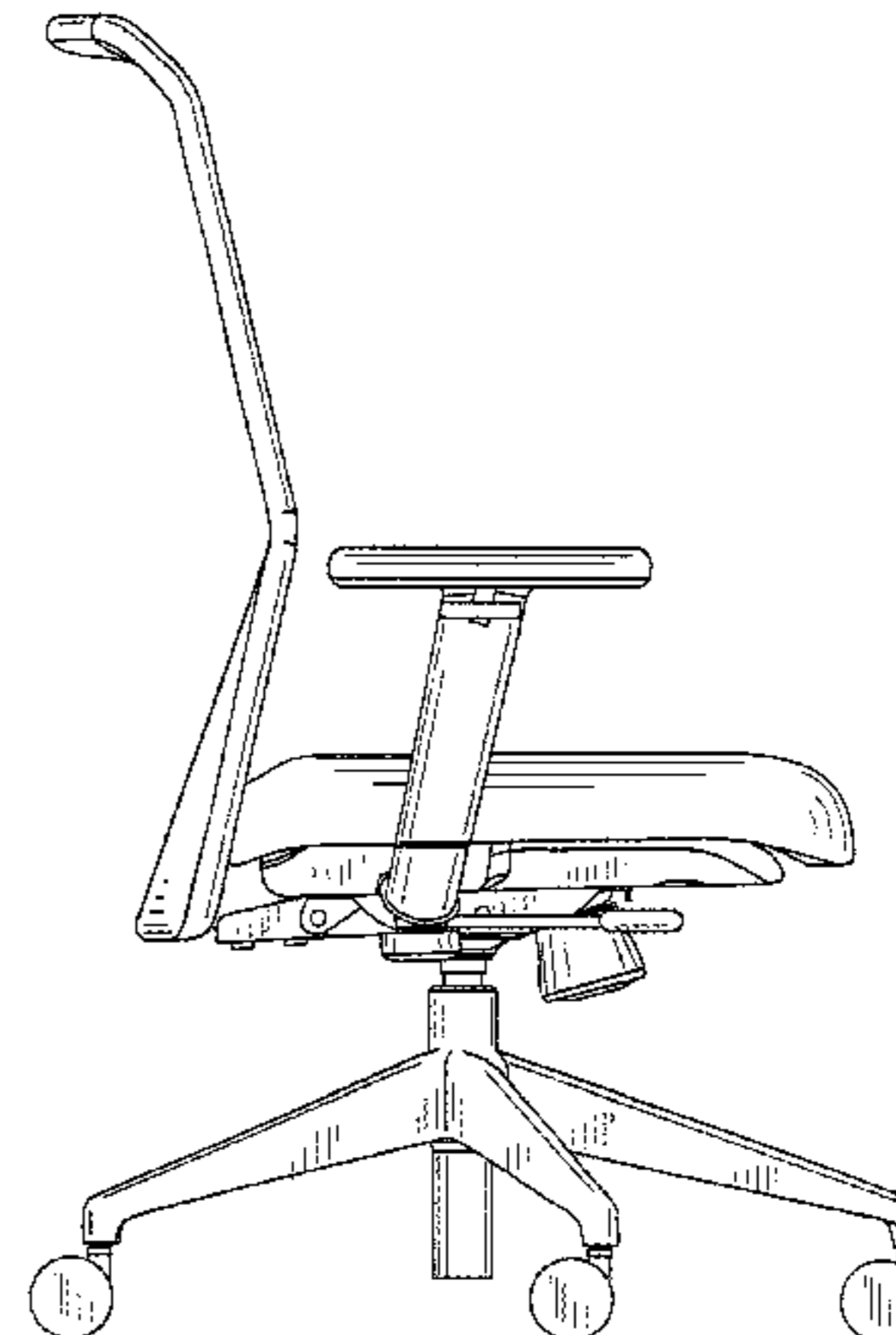
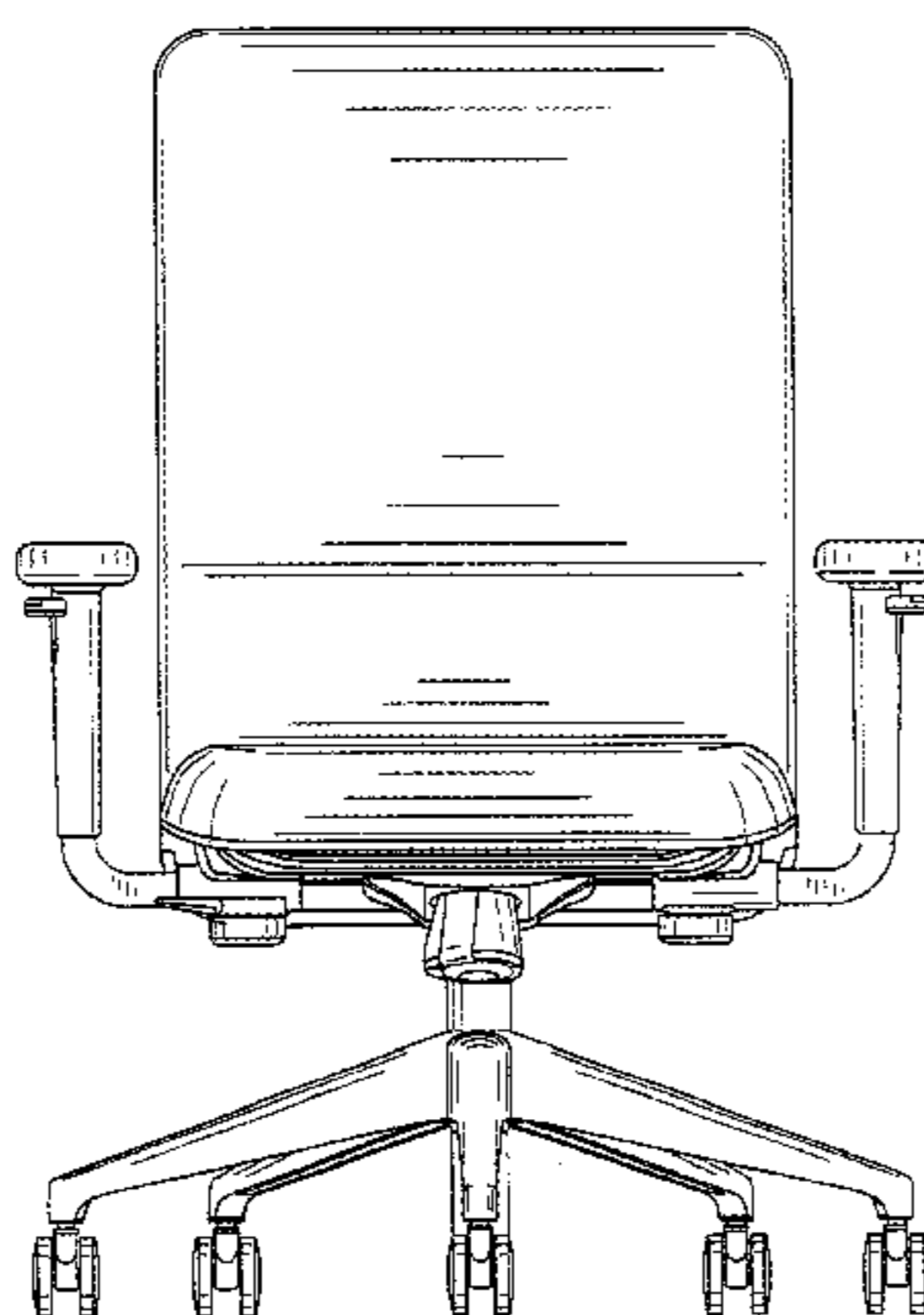
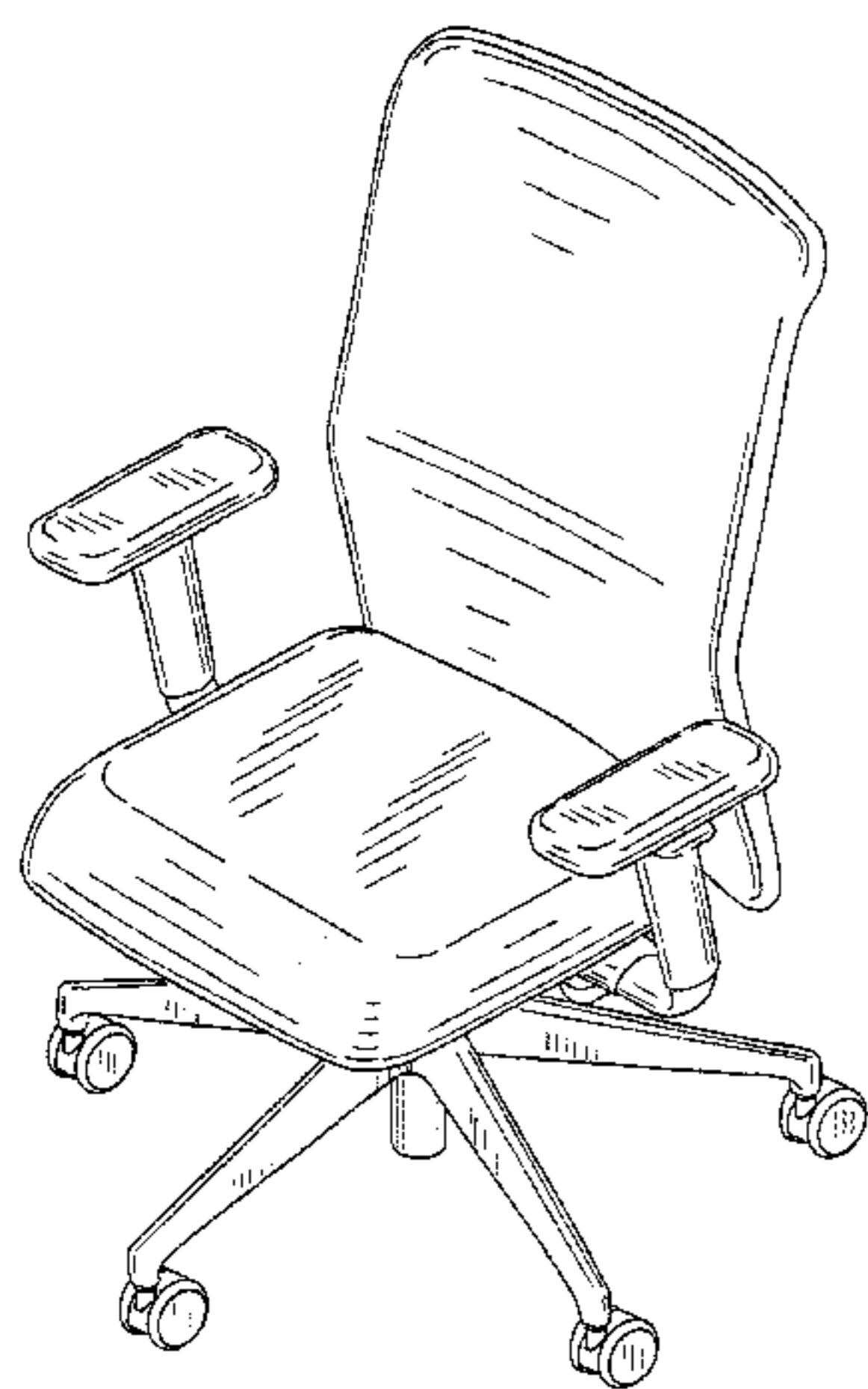
FIG. 4 is a top plan view thereof;

FIG. 5 is a bottom plan view thereof;

FIG. 6 is a left side elevational view thereof; and,

FIG. 7 is a right side elevational view thereof.

1 Claim, 7 Drawing Sheets



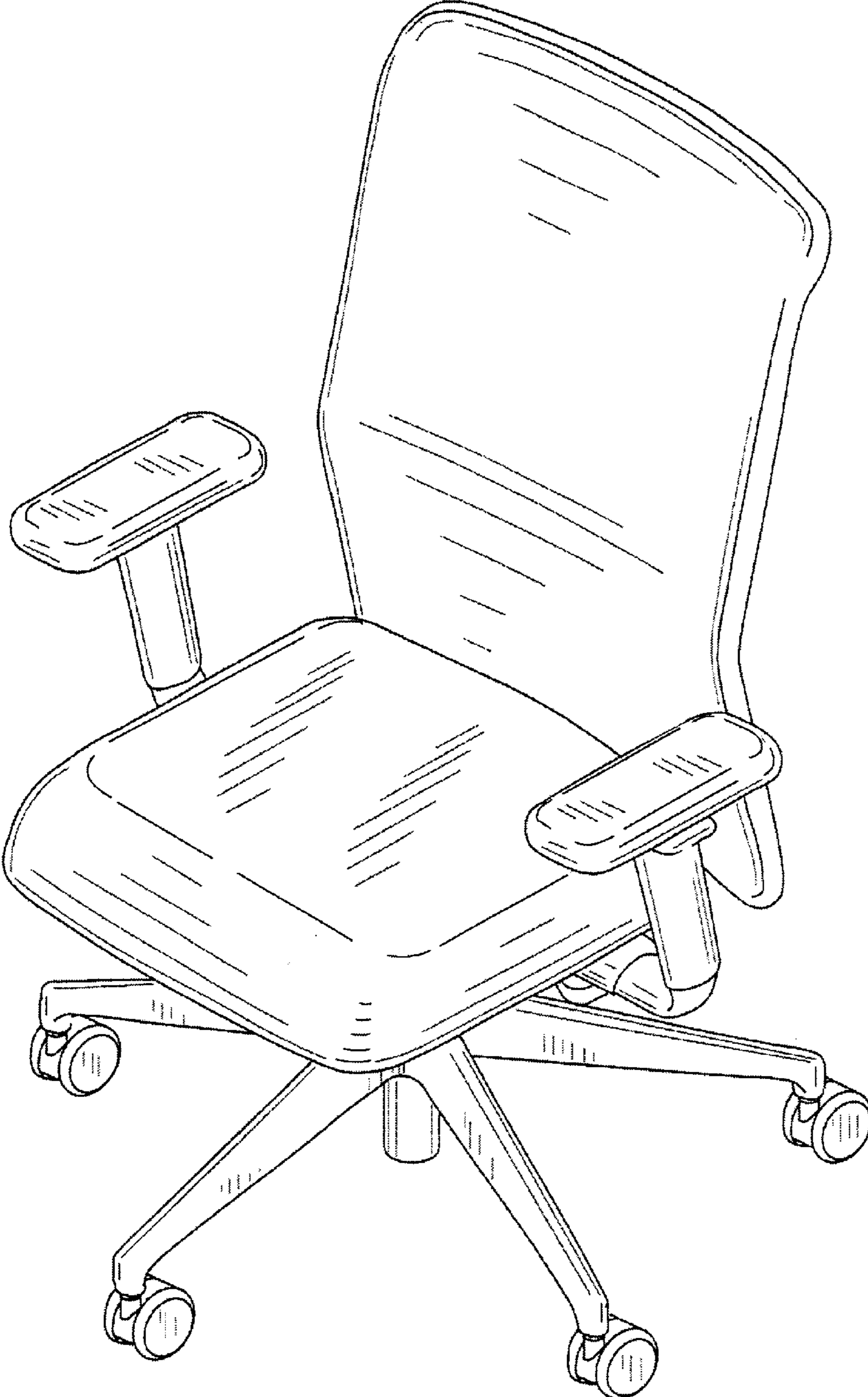


FIG. 1

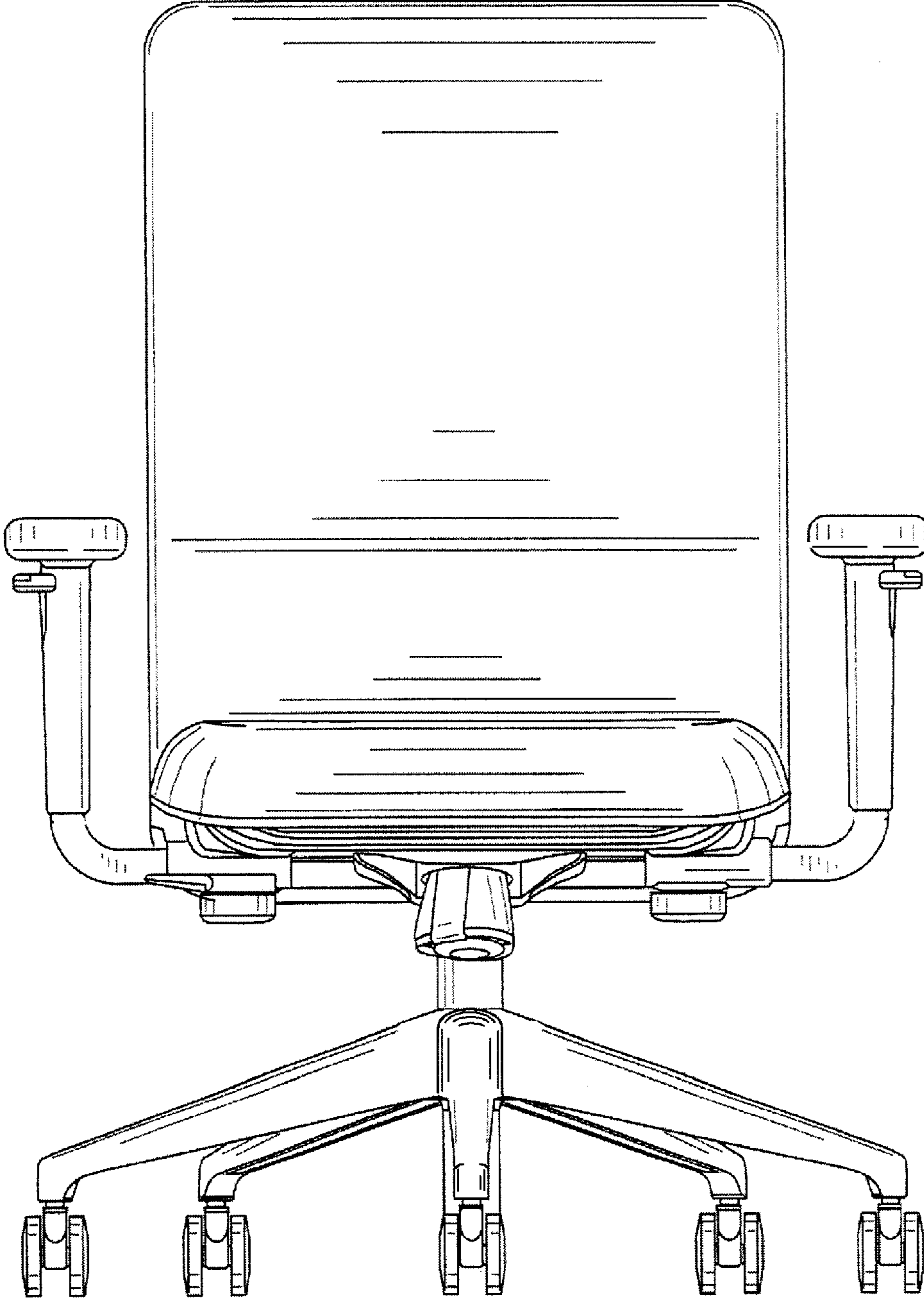


FIG. 2

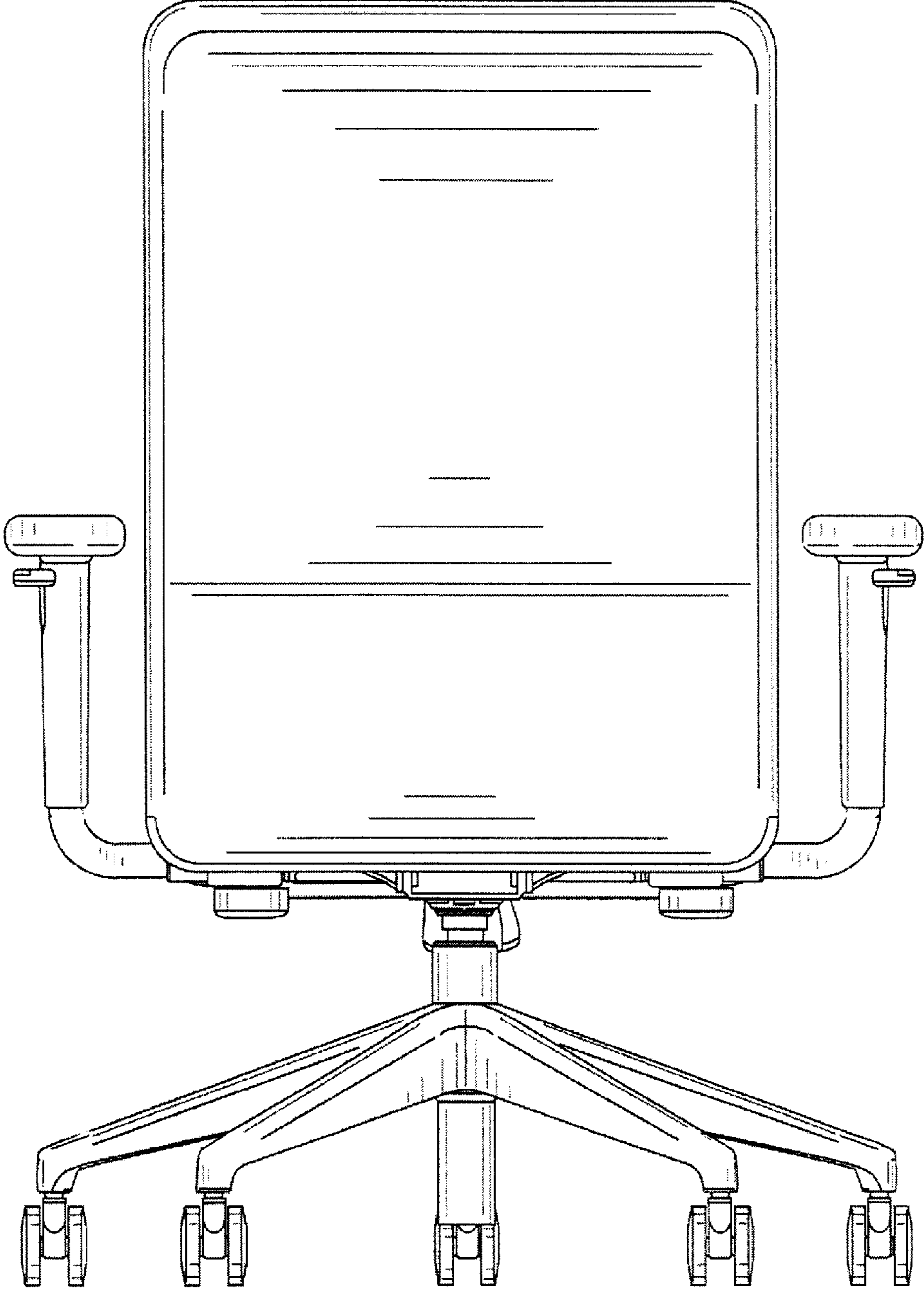


FIG. 3

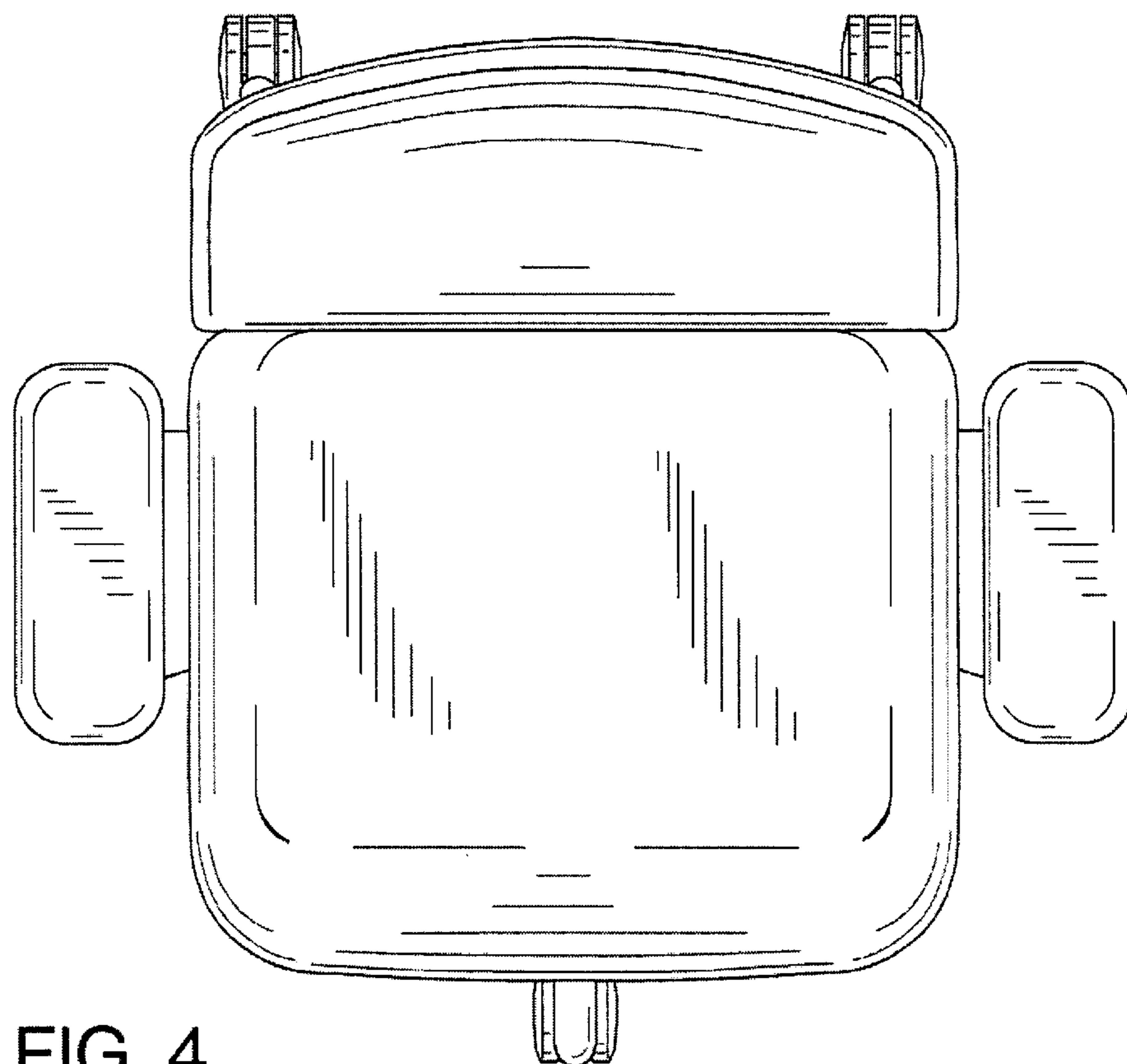


FIG. 4

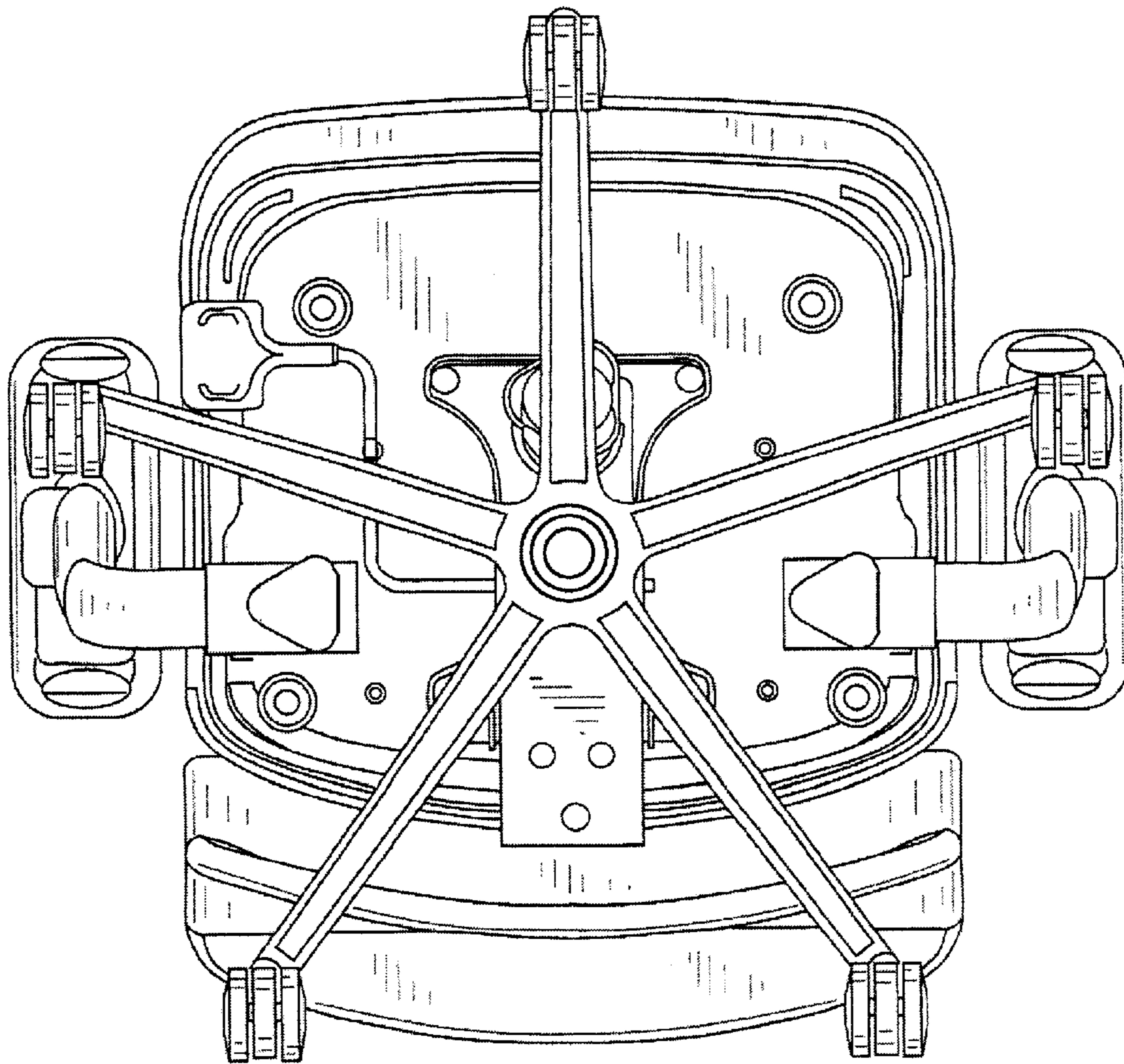


FIG. 5

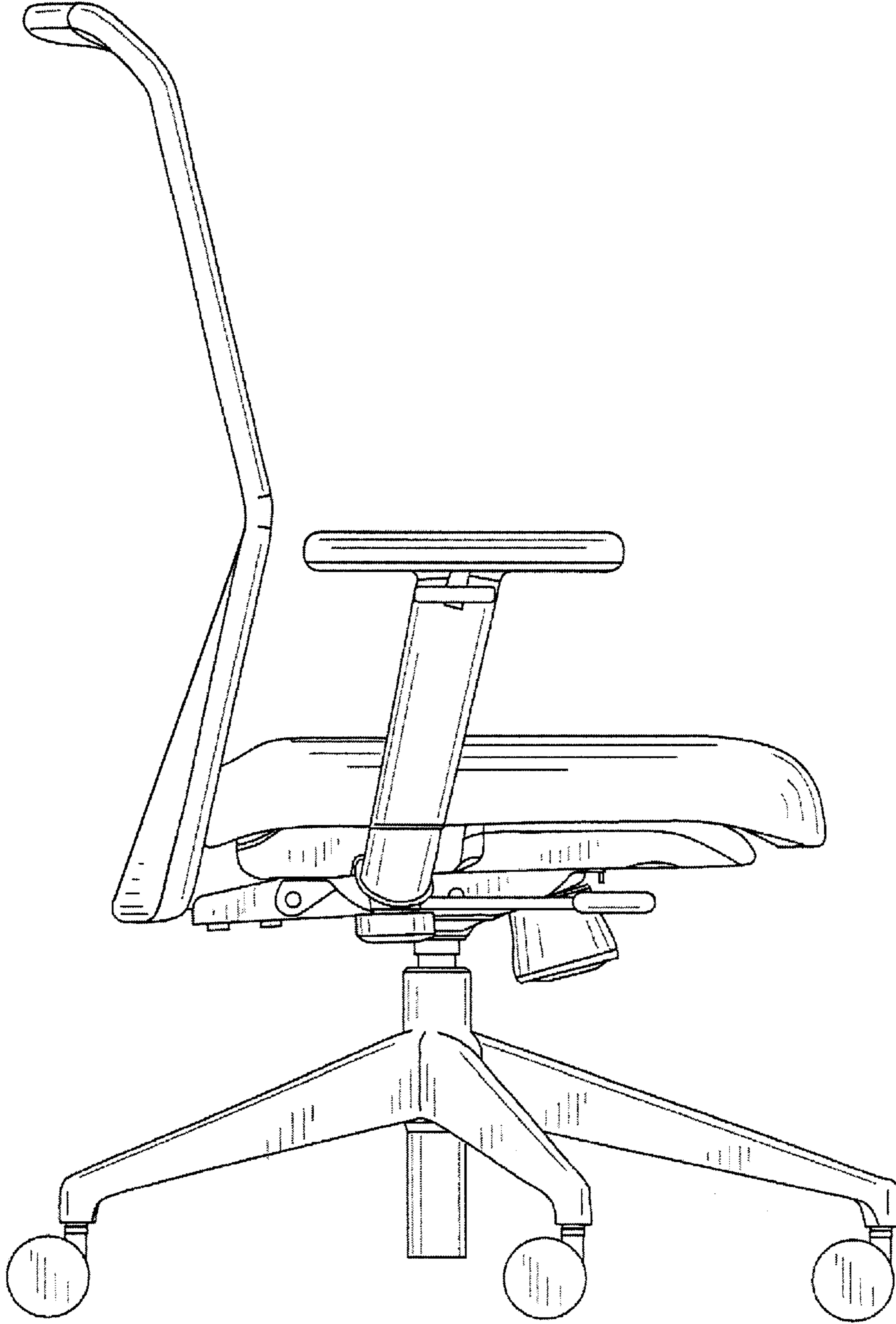


FIG. 6

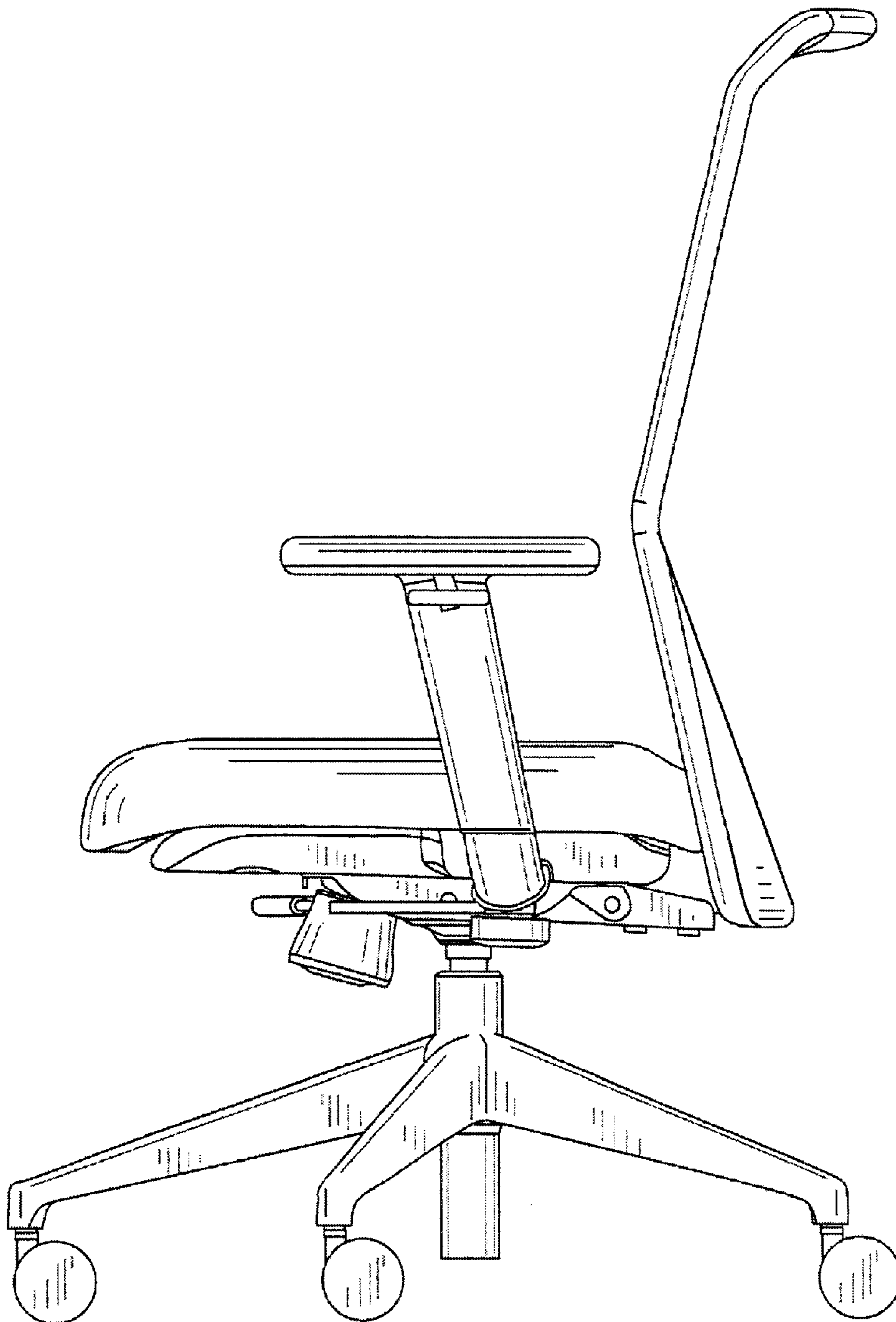


FIG. 7