



US00D535108S

(12) **United States Design Patent**
Ping Sheng

(10) **Patent No.:** **US D535,108 S**

(45) **Date of Patent:** **** Jan. 16, 2007**

- (54) **SYNTHETIC WICKER**
- (75) Inventor: **Wang Ping Sheng**, Hong Kong (HK)
- (73) Assignee: **Agio International Company, Ltd.**,
Hong Kong (HK)
- (**) Term: **14 Years**
- (21) Appl. No.: **29/257,938**
- (22) Filed: **Apr. 12, 2006**
- (51) **LOC (8) Cl.** **05-99**
- (52) **U.S. Cl.** **D5/99**
- (58) **Field of Classification Search** D5/1-3,
D5/5, 7-8, 11, 13-16, 19-20, 23-28, 30,
D5/32, 35-37, 39, 43, 45, 47, 49-50, 52-66,
D5/99; D2/749, 994, 977; D6/582-583, 595-596,
D6/598, 608, 603-606, 613, 616, 617, 619,
D6/622; 297/451.9, 452.64; 442/889; 428/17-18,
428/151, 154, 156, 171, 187, 198, 199, 540,
428/542.2, 542.6, 919, 904.4; D8/8; D24/124,
D24/125, 126; D25/142, 152, 119-126; 5/413 AM,
5/709; 162/134, 140, 109, 231; 156/148,
156/209; D7/396.4-5; D1/126; D15/138
See application file for complete search history.

- 3,078,755 A * 2/1963 Chace, Jr. D5/7
- 3,706,613 A * 12/1972 Toki et al. 156/148
- 3,792,899 A * 2/1974 Rocchia et al. 297/451.9
- 4,661,406 A * 4/1987 Gruhn et al. 428/375
- 4,975,232 A * 12/1990 Hattori et al. 156/148
- 5,130,193 A * 7/1992 Ikeda 156/148
- D349,634 S * 8/1994 Skinner et al. D8/8
- D364,079 S * 11/1995 Skinner D15/138
- D365,734 S * 1/1996 Skinner D8/8
- D370,395 S * 6/1996 Skinner et al. D15/138
- D379,052 S * 5/1997 Skinner D8/8
- 5,704,690 A * 1/1998 Schwartz 297/451.9
- D395,171 S * 6/1998 Schwartz D5/99
- 5,803,540 A * 9/1998 Schwartz 297/451.9
- 5,845,970 A * 12/1998 Schwartz 428/17
- D409,001 S * 5/1999 Schwartz D5/99
- 6,179,382 B1 * 1/2001 Schwartz 297/451.9
- D437,101 S * 2/2001 Debbouz et al. D1/126
- 6,458,726 B1 * 10/2002 Harrington et al. 428/375
- D474,614 S * 5/2003 Schwartz D5/99
- 6,592,716 B1 * 7/2003 Kim et al. 162/140
- 6,790,796 B1 * 9/2004 Smith et al. 442/189
- D509,045 S * 9/2005 Buckley et al. D1/199
- D514,264 S * 1/2006 Viola D1/126
- D521,252 S * 5/2006 Hou D5/99
- 2002/0182409 A1 * 12/2002 Gueret 428/375
- 2003/0035951 A1 * 2/2003 Magill et al. 428/375
- 2003/0035953 A1 * 2/2003 Weihrauch 428/375

(Continued)

(56) **References Cited**

U.S. PATENT DOCUMENTS

- 239,514 A * 3/1881 Leadley D25/122
- 326,329 A * 9/1885 Ransom D5/50
- D18,588 S * 9/1888 Schuck D5/7
- D18,589 S * 9/1888 Schuck D5/7
- 414,090 A * 10/1889 Taylor 72/468
- D19,630 S * 1/1890 Schuck D5/7
- 596,217 A * 12/1897 Rapp D25/126
- D29,914 S * 12/1898 Merrick D5/7
- D30,748 S * 5/1899 Kirberg D5/7
- 1,820,868 A * 8/1931 Epstein D5/7
- 1,923,322 A * 8/1933 Mendel 156/148
- 1,997,771 A * 4/1935 McGowan D5/7
- D152,208 S * 12/1948 O'Dea D5/7
- D159,301 S * 7/1950 Stegeman D5/7
- D163,652 S * 6/1951 Stegeman D5/7

Primary Examiner—T. Chase Nelson

(74) *Attorney, Agent, or Firm*—Williams Mullen; M. Bruce Harper; Kelly J. Hollowell

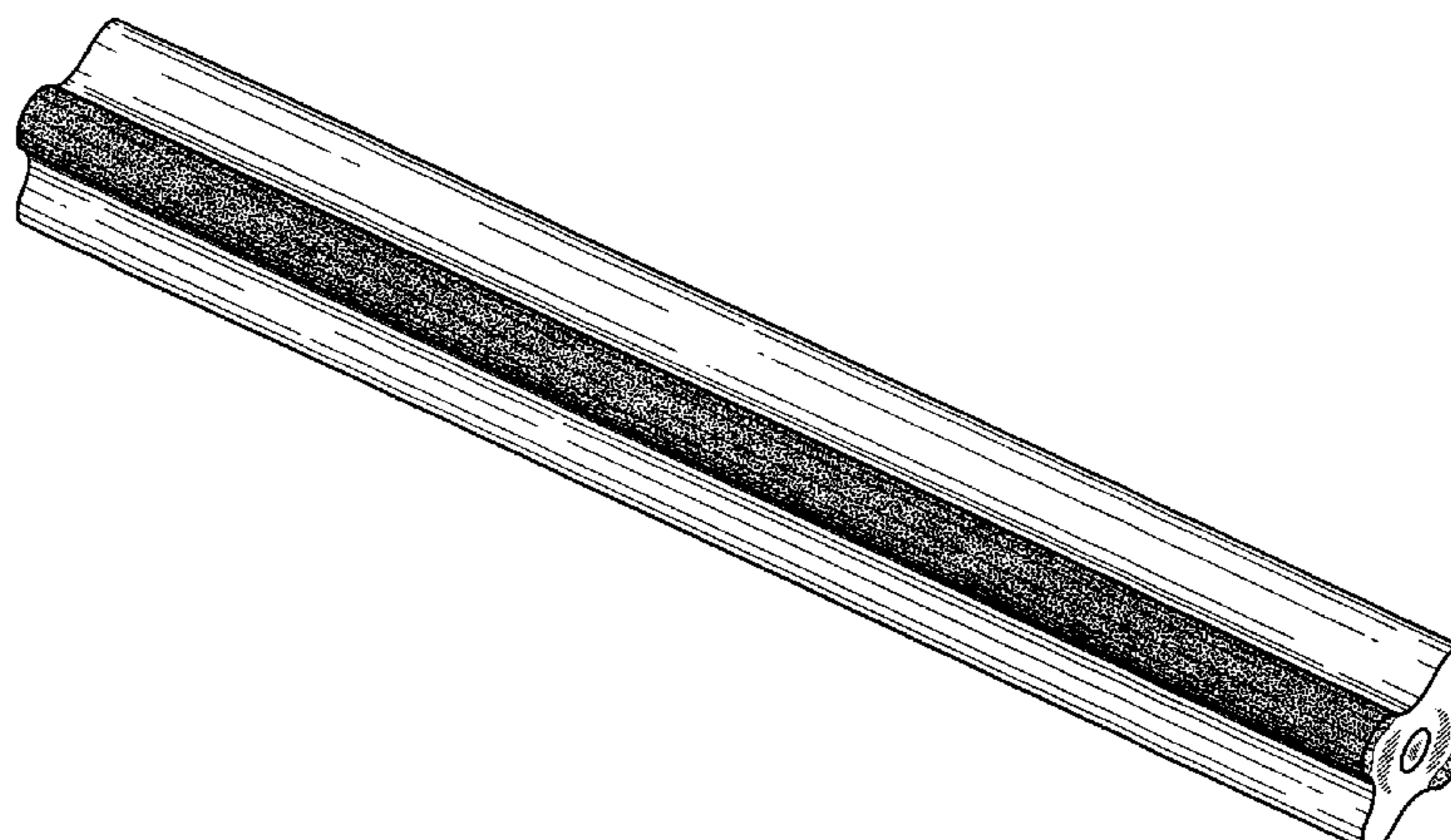
(57) **CLAIM**

The ornamental design for synthetic wicker, as shown.

DESCRIPTION

- FIG. 1 is a left side view;
- FIG. 2 is a right side view;
- FIG. 3 is a top view;
- FIG. 4 is a bottom view;
- FIG. 5 is an end view; and,
- FIG. 6 is a rear perspective view.

1 Claim, 2 Drawing Sheets



US D535,108 S

Page 2

U.S. PATENT DOCUMENTS

2003/0068948	A1 *	4/2003	Smith et al.	442/189	2005/0206213	A1 *	9/2005	Schwartz	297/452.64
2003/0102707	A1 *	6/2003	Schwartz	297/451.9	2006/0019097	A1 *	1/2006	Weihauch	428/375
2004/0166314	A1 *	8/2004	Mathis	428/375	2006/0099866	A1 *	5/2006	Leonard et al.	442/189
2005/0003724	A1 *	1/2005	FitzPatrick	442/189	2006/0099867	A1 *	5/2006	Schwartz et al.	442/189
2005/0106975	A1 *	5/2005	Schwartz et al.	156/148	2006/0116041	A1 *	6/2006	Hou	442/189

* cited by examiner

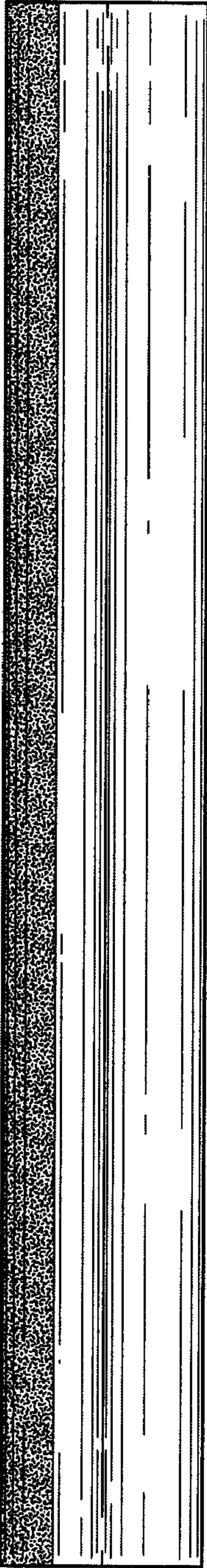


FIG. 1

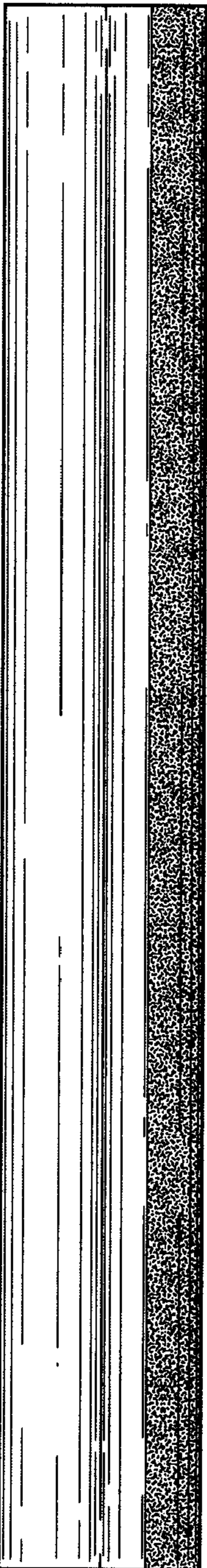


FIG. 2

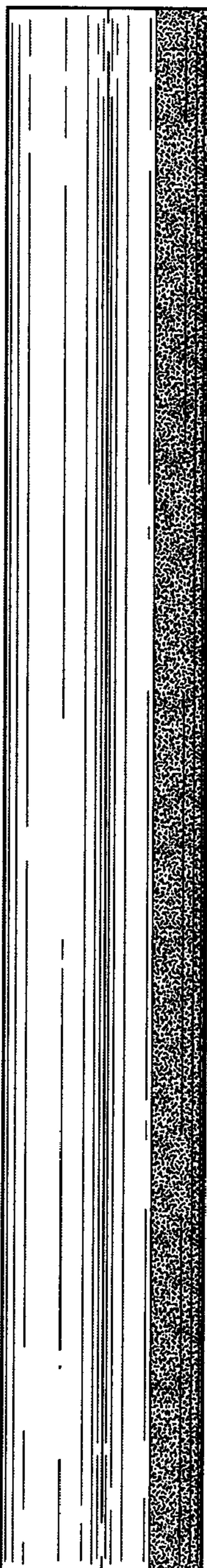


FIG. 3

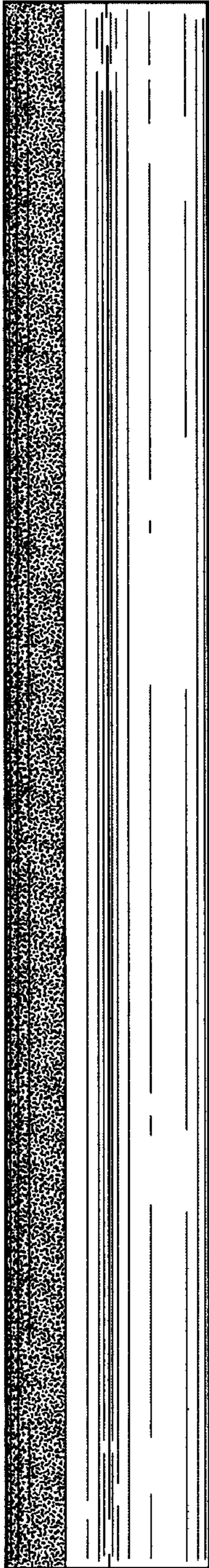


FIG. 4

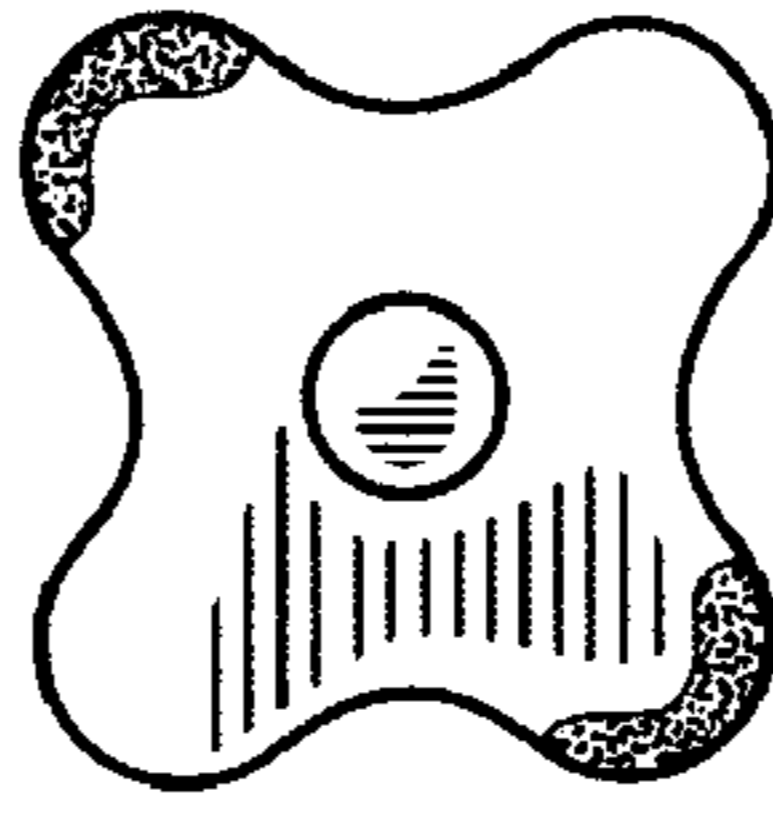


FIG. 5

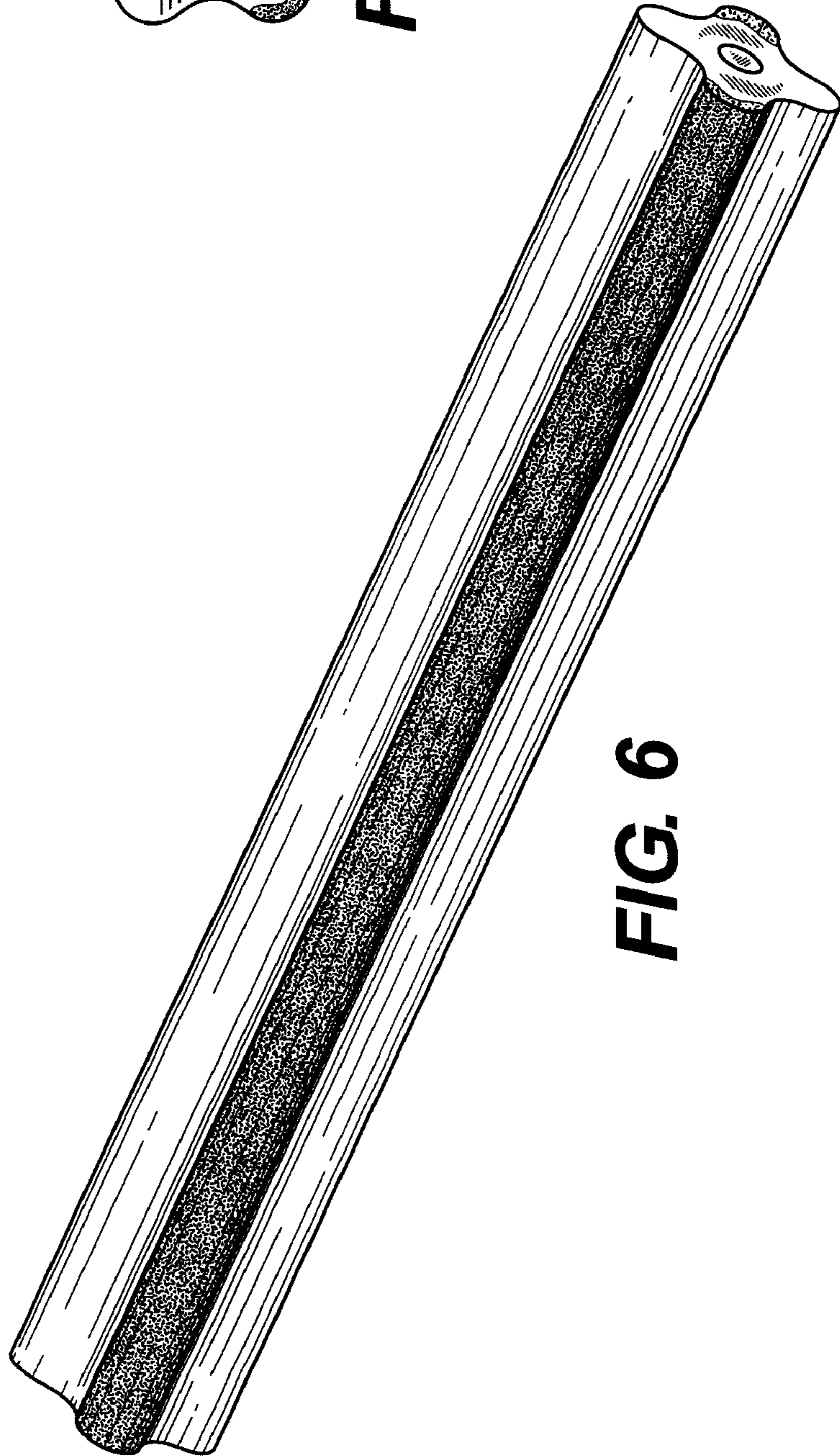


FIG. 6