



US00D535106S

(12) **United States Design Patent** (10) **Patent No.:** **US D535,106 S**
Vu (45) **Date of Patent:** **** Jan. 16, 2007**

(54) **TRAVEL CASE**

2,597,552 A * 5/1952 Wagner 30/537
D474,034 S * 5/2003 Mc Currach et al. D4/199

(75) Inventor: **Duy Phong Vu**, Frankfurt am Main (DE)

FOREIGN PATENT DOCUMENTS

(73) Assignee: **Braun GmbH**, Kronberg (DE)

JP 07255526 A * 10/1995
JP 08080220 A * 3/1996

(**) Term: **14 Years**

* cited by examiner

(21) Appl. No.: **29/232,211**

Primary Examiner—Stella Reid
Assistant Examiner—Lavone D. Tabor

(22) Filed: **Jun. 16, 2005**

(74) *Attorney, Agent, or Firm*—Fish & Richardson P.C.

(30) **Foreign Application Priority Data**

(57) **CLAIM**

Jan. 20, 2005 (EM) 000282488

The ornamental design for a travel case, as shown and described.

(51) **LOC (8) Cl.** **04-99**

DESCRIPTION

(52) **U.S. Cl.** **D4/199; D3/205**

(58) **Field of Classification Search** D4/199;
D3/201, 205; D9/414, 424-426, 430, 431;
206/320, 351, 349, 361, 362.1, 362.2, 368,
206/369, 823; 220/4.21, 4.22, 4.23, 4.24
See application file for complete search history.

FIG. 1 is a perspective view of a travel case from above, showing my new design;
FIG. 2 is a front view of the appliance thereof;
FIG. 3 is a side view of the appliance thereof
FIG. 4 is a rear view of the appliance thereof;
FIG. 5 is a side view of the appliance thereof;
FIG. 6 is a top plan view of the appliance thereof; and,
FIG. 7 is a bottom plan view of the appliance thereof.

(56) **References Cited**

U.S. PATENT DOCUMENTS

1,790,085 A * 1/1931 Barringer et al. 206/209.1

1 Claim, 3 Drawing Sheets

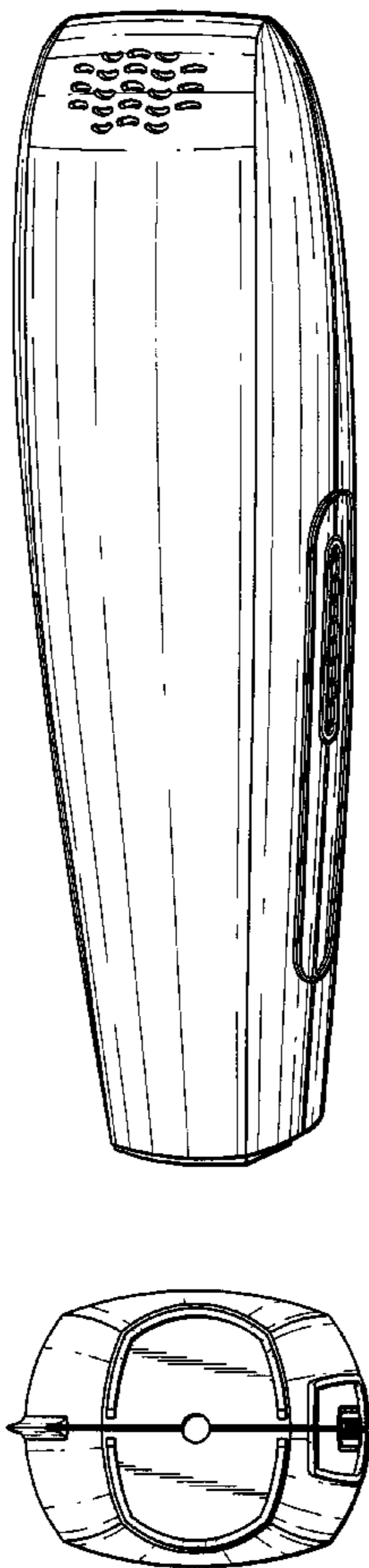




Fig. 1

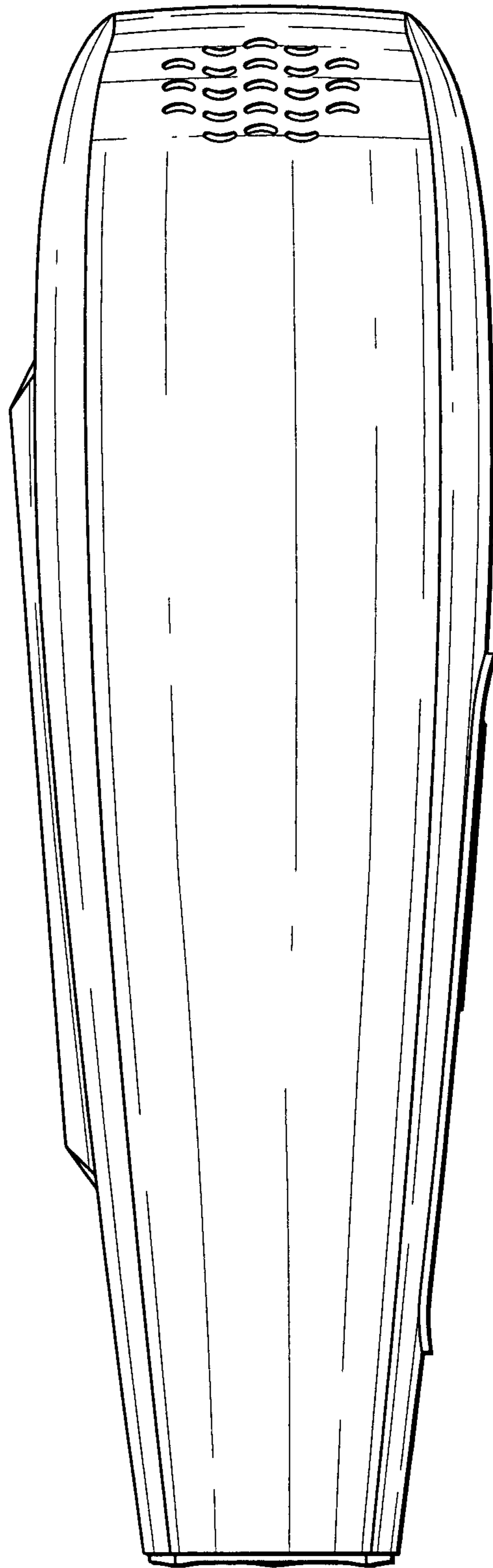


Fig. 2

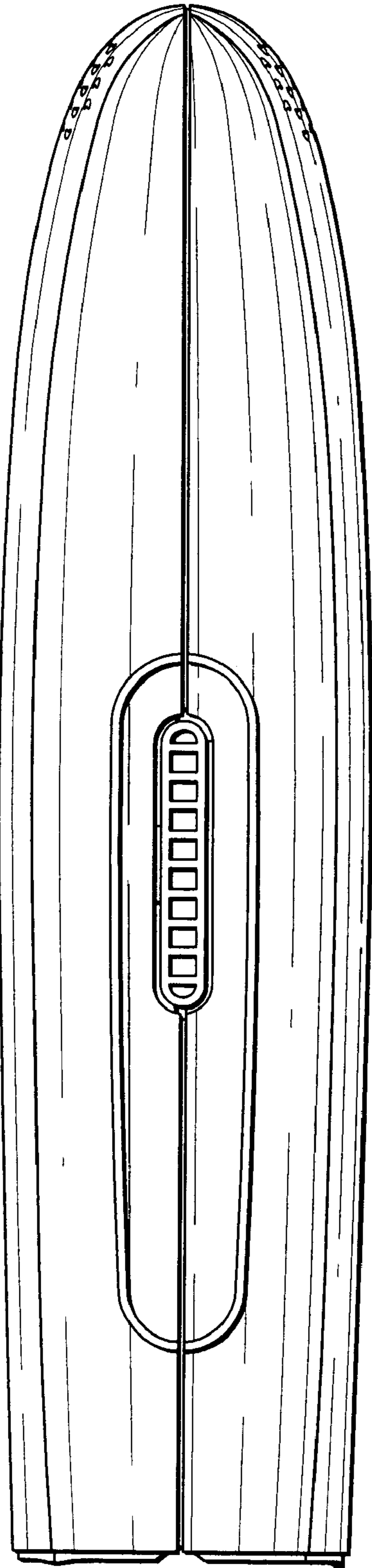


Fig. 3

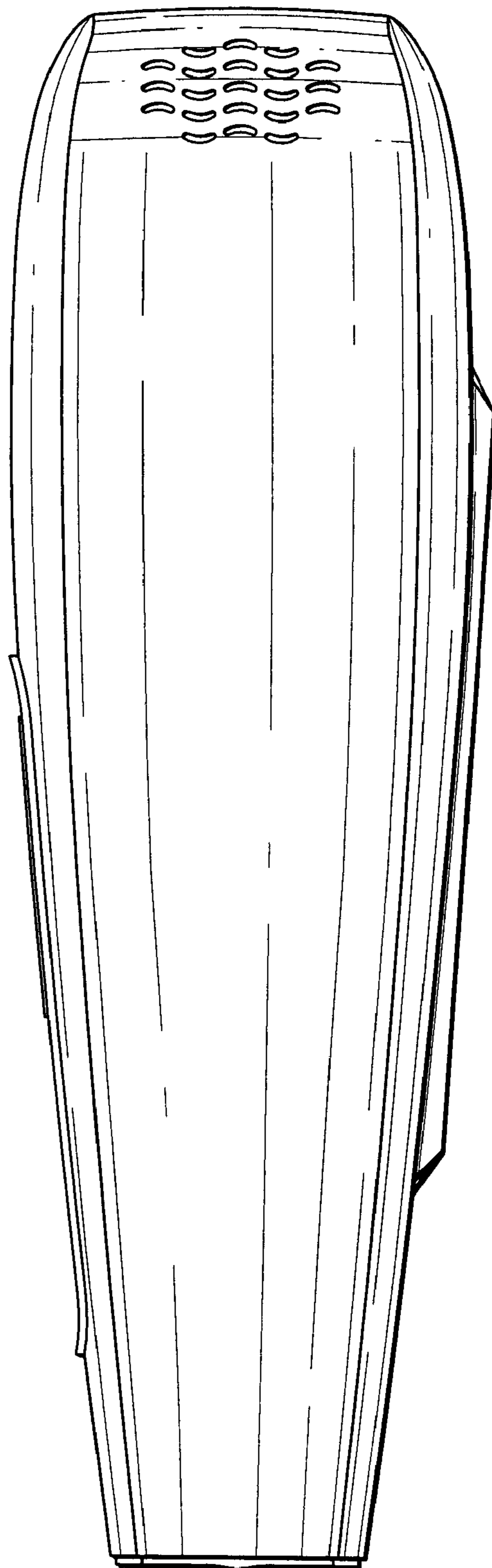


Fig. 4

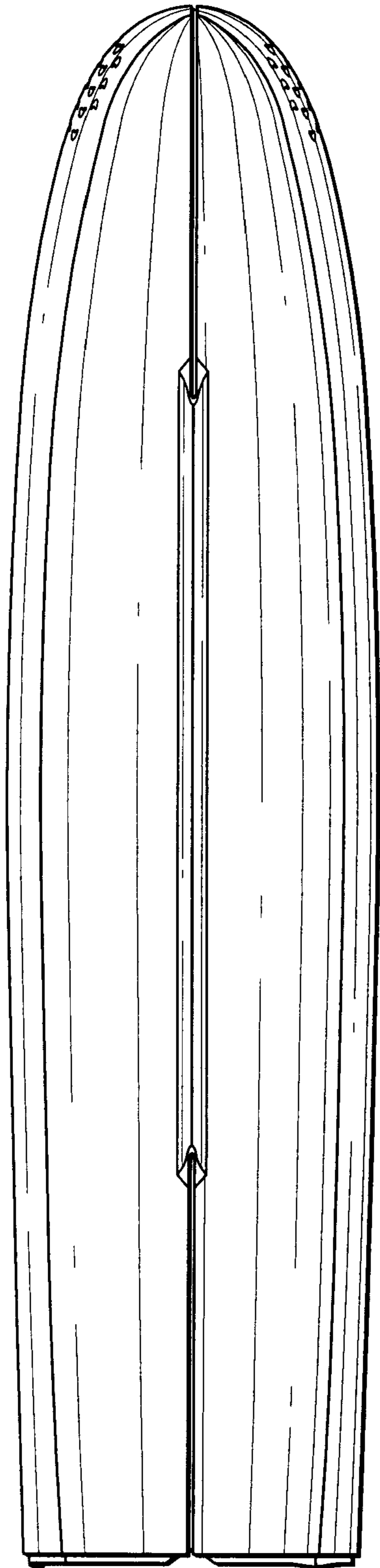


Fig. 5

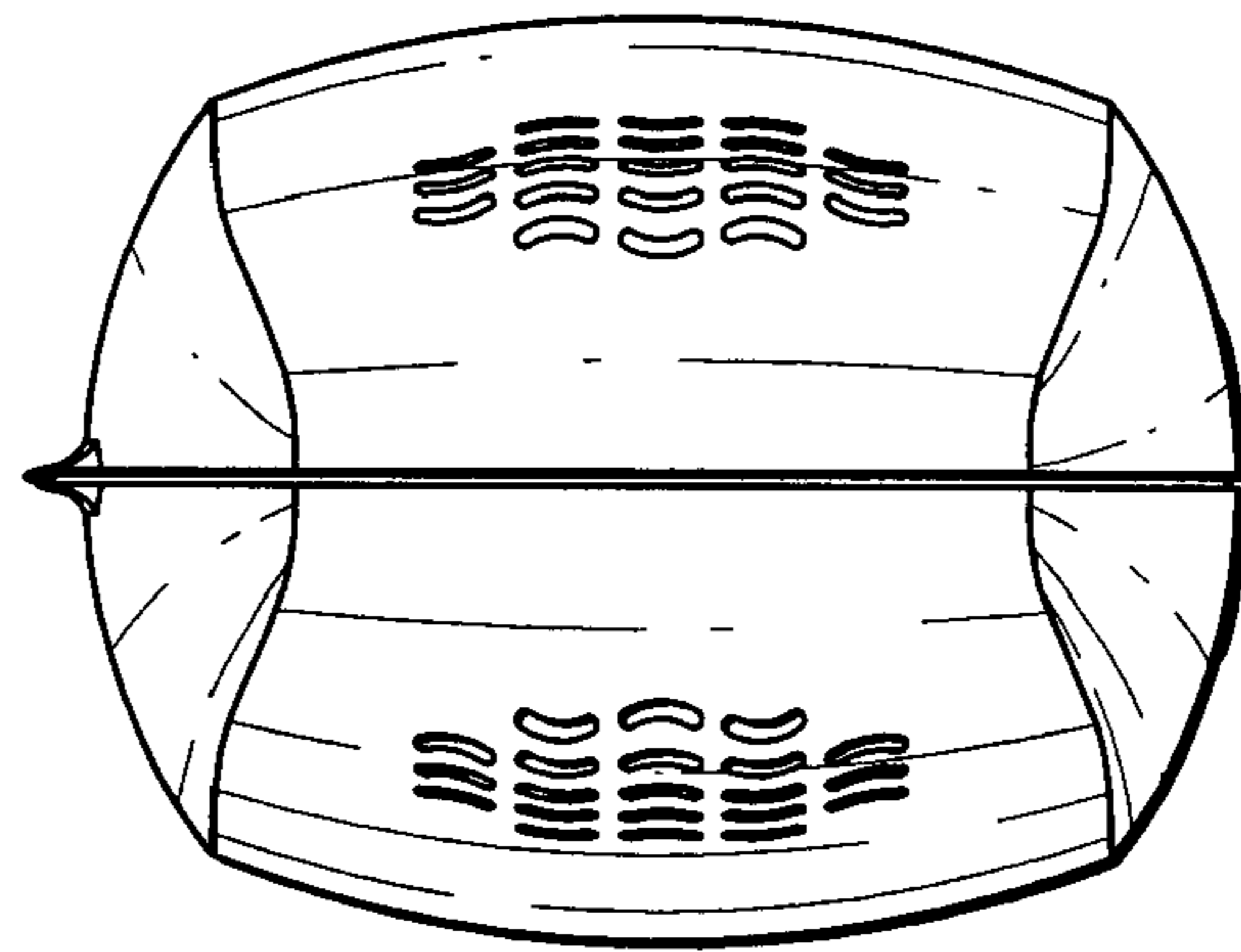


Fig. 6

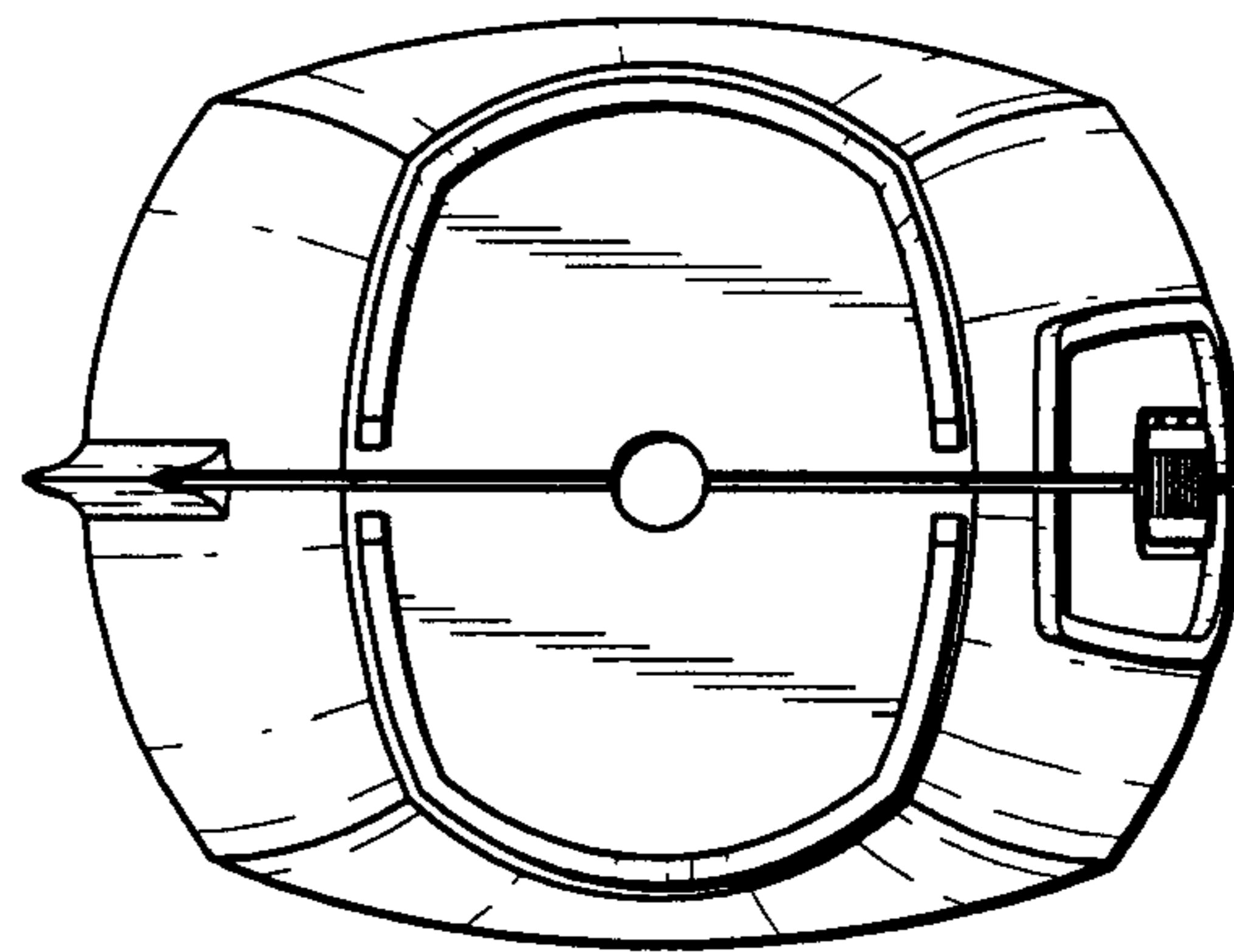


Fig. 7