



US00D535104S

(12) **United States Design Patent**
Chen

(10) **Patent No.:** **US D535,104 S**

(45) **Date of Patent:** **** Jan. 16, 2007**

(54) **NAIL POLISH BOTTLE**

(75) Inventor: **Sung-Tsei Chen**, Taipei (TW)

(73) Assignee: **Cosmograce Inc.**, Taipei (TW)

(**) Term: **14 Years**

(21) Appl. No.: **29/231,793**

(22) Filed: **Jun. 10, 2005**

(51) **LOC (8) Cl.** **09-07**

(52) **U.S. Cl.** **D4/116; D9/574**

(58) **Field of Classification Search** D4/116;
D9/715, 718, 723, 725, 541-544, 546, 560,
D9/573-575; D28/76, 77; 132/73; 206/15.2,
206/15.3, 823; 215/227, 228, 390, 391; 401/118,
401/126, 127, 129
See application file for complete search history.

(56) **References Cited**

U.S. PATENT DOCUMENTS

- 2,248,011 A * 7/1941 Neuschaefer 401/129 X
- 3,337,901 A * 8/1967 Schefer et al. 401/129
- D316,034 S * 4/1991 DeGaetano D4/116
- D333,619 S * 3/1993 Lemahieu D9/573

- 5,529,417 A * 6/1996 Burlader 401/129
- D386,972 S * 12/1997 Stoecker D9/542
- D399,658 S * 10/1998 Nosella D4/116
- D428,343 S * 7/2000 Waitzenegger D9/544

* cited by examiner

Primary Examiner—Alan P. Douglas
Assistant Examiner—Lavone D. Tabor

(74) *Attorney, Agent, or Firm*—Birch, Stewart, Kolasch & Birch, LLP

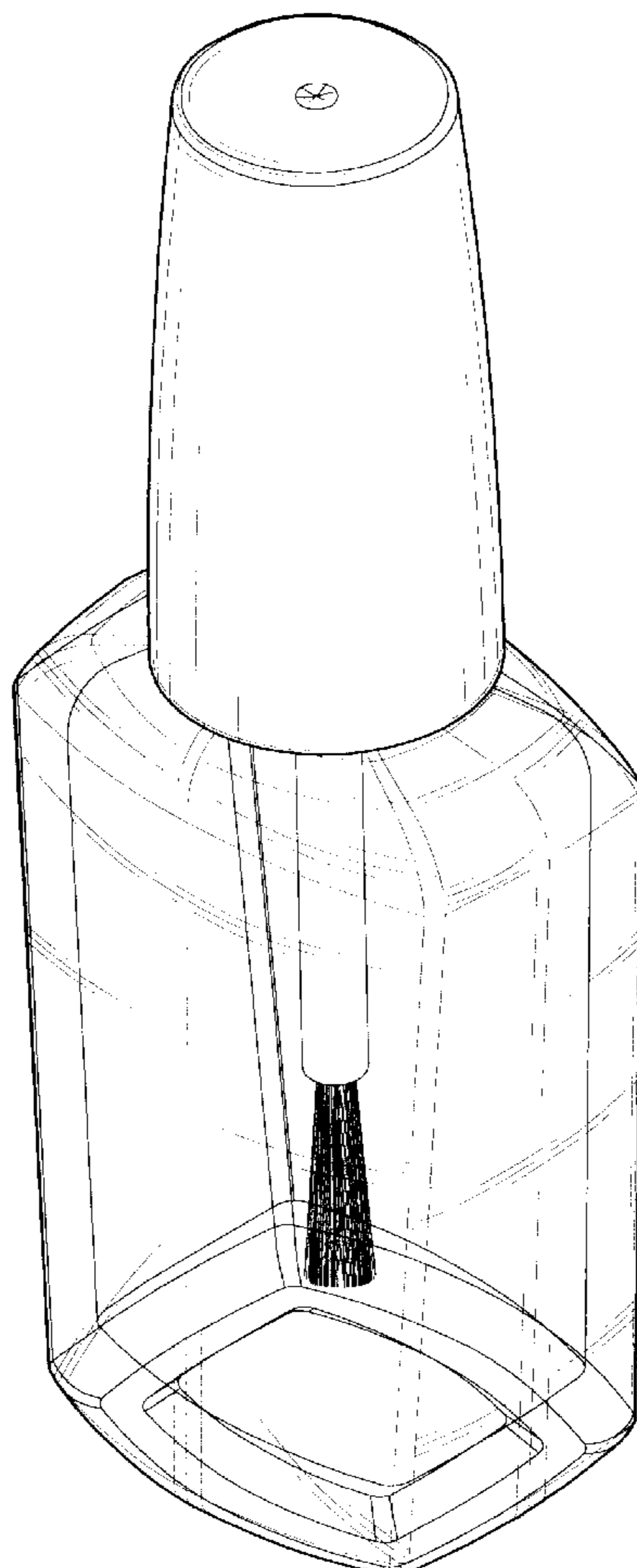
(57) **CLAIM**

The ornamental design for a “nail polish bottle,” as shown and described.

DESCRIPTION

FIG. 1 is a perspective view of a “nail polish bottle” showing my new design thereof;
FIG. 2 is a right side elevational view thereof;
FIG. 3 is a top plan view thereof;
FIG. 4 is a front side elevational view thereof;
FIG. 5 is a bottom plan view thereof;
FIG. 6 is a left side elevational view thereof; and,
FIG. 7 is a rear side elevational view thereof.

1 Claim, 6 Drawing Sheets



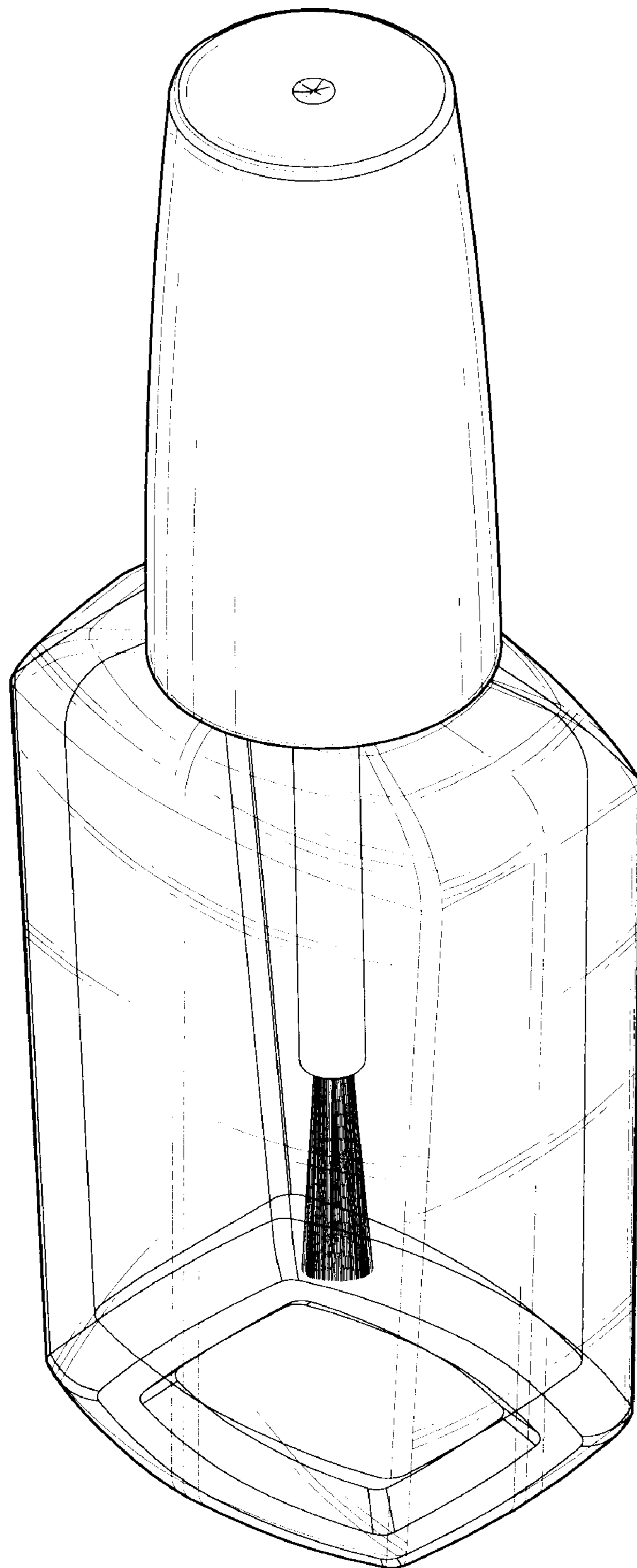


Fig. 1

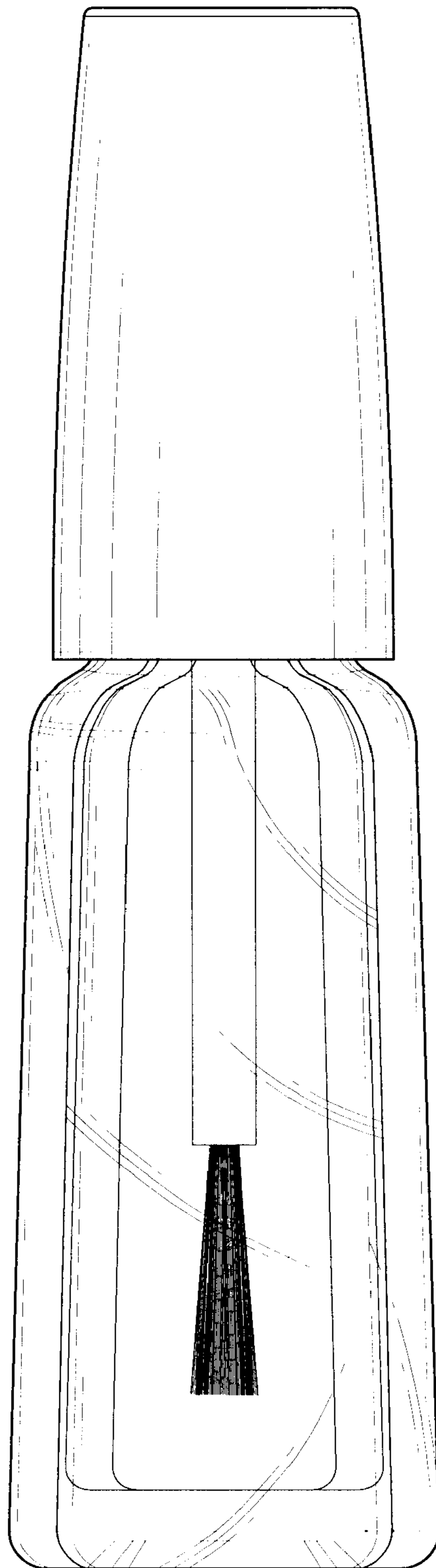


Fig. 2

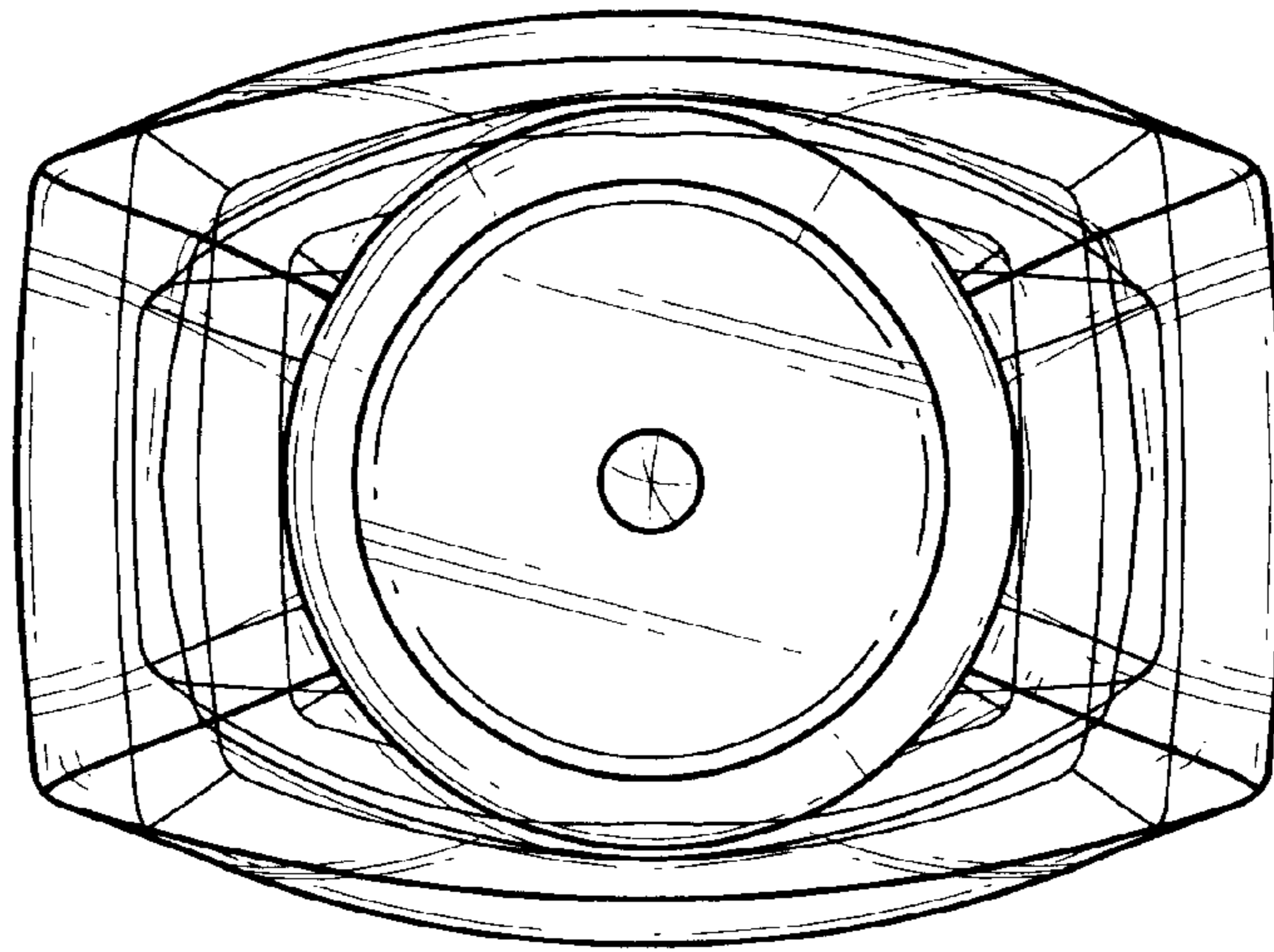


Fig. 3

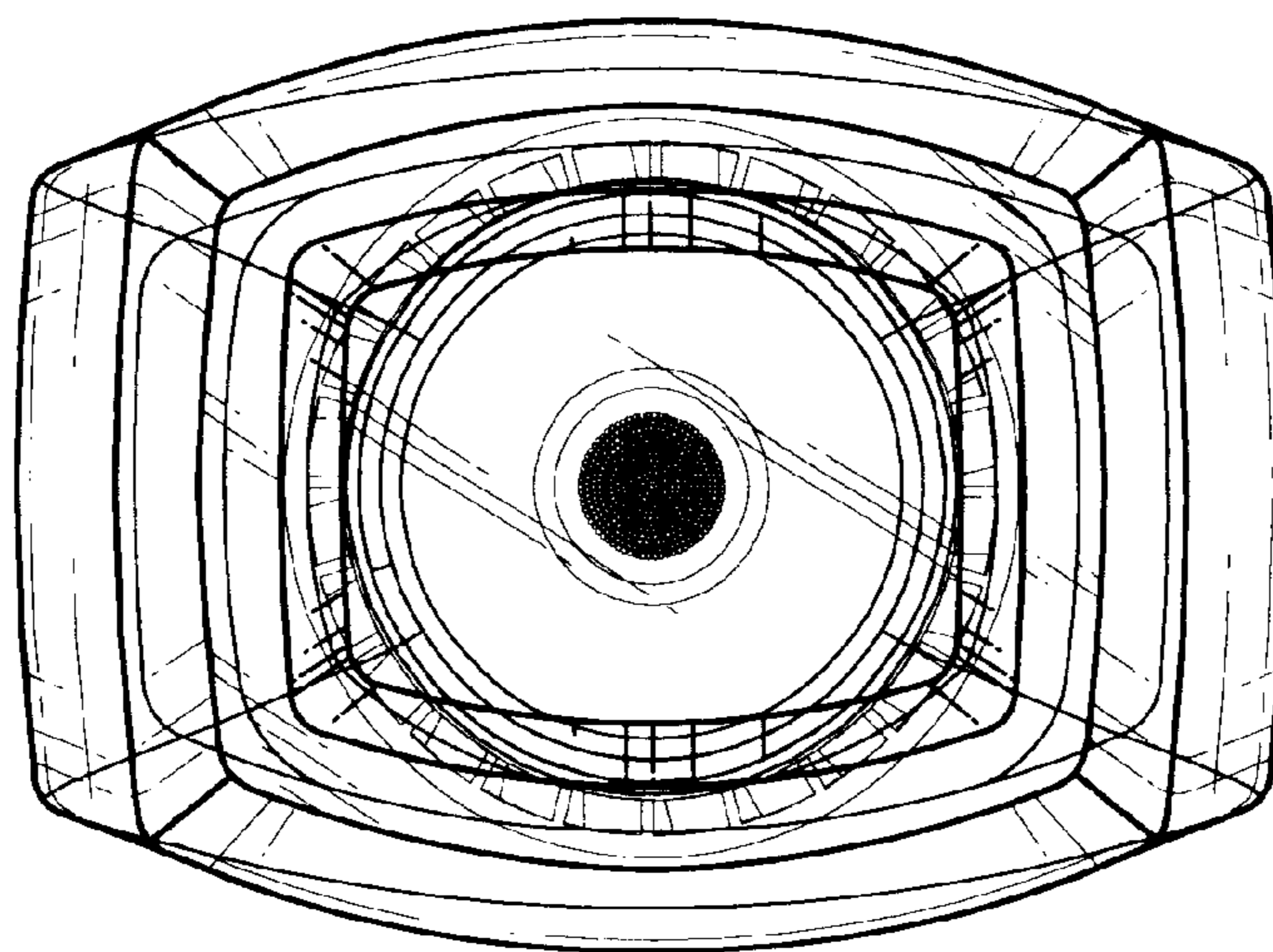


Fig. 5

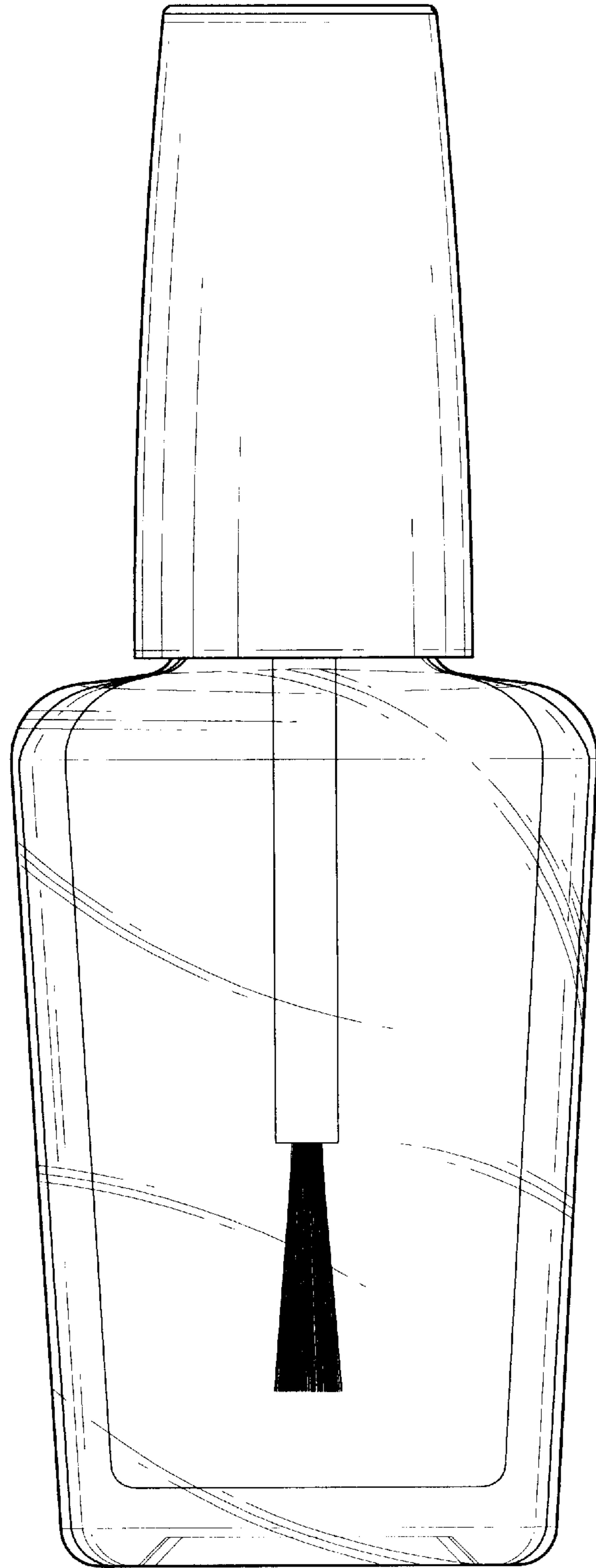


Fig. 4

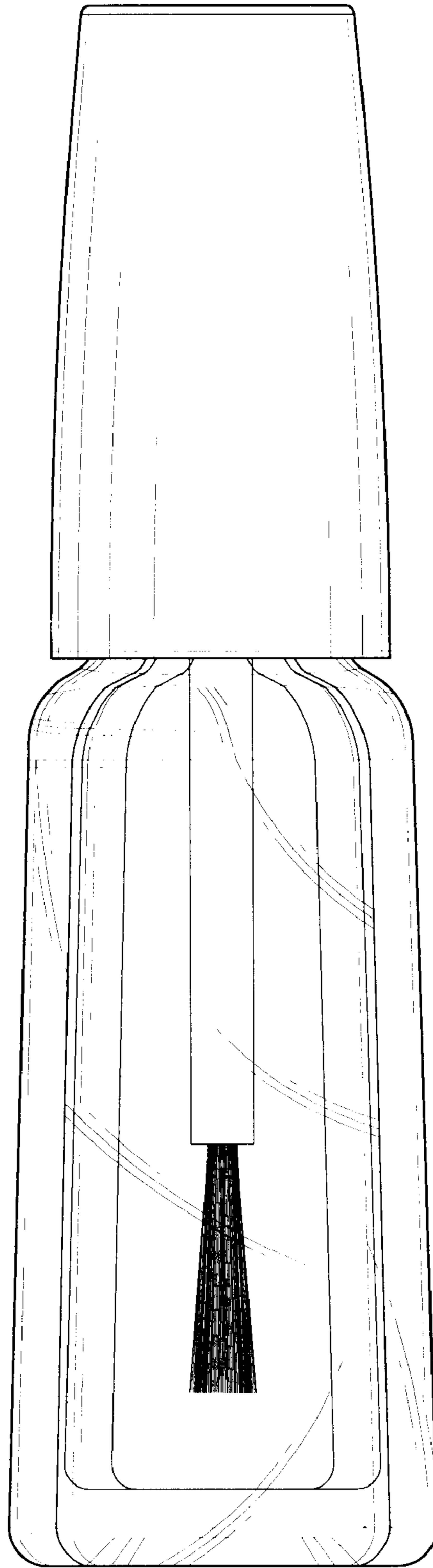


Fig. 6

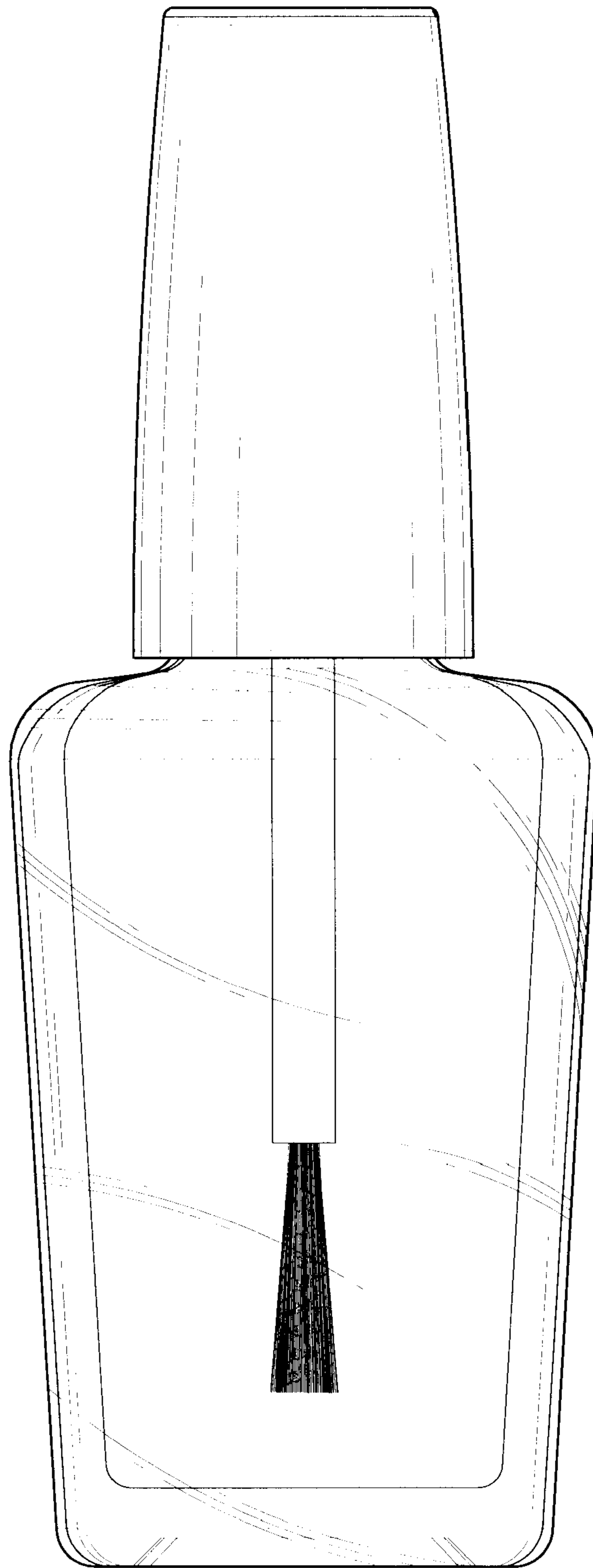


Fig. 7