



US00D535099S

(12) **United States Design Patent**
Johansson et al.

(10) **Patent No.: US D535,099 S**

(45) **Date of Patent: ** Jan. 16, 2007**

(54) **BAG**

(75) Inventors: **Jens Johansson**, Stockholm (SE);
Fredrik Magnusson, Stockholm (SE);
Oscar Karlsson, Stockholm (SE)

(73) Assignee: **Trimble AB**, Danderyd (SE)

(**) Term: **14 Years**

(21) Appl. No.: **29/257,445**

(22) Filed: **Apr. 5, 2006**

Related U.S. Application Data

(62) Division of application No. 29/224,953, filed on Mar. 10, 2005.

(30) **Foreign Application Priority Data**

Sep. 10, 2004 (EM) 000225511

(51) **LOC (8) Cl.** **03-01**

(52) **U.S. Cl.** **D3/276; D3/294; D3/217**

(58) **Field of Classification Search** D3/215-217,
D3/273, 276, 279, 281, 292-294, 301; 190/18 A,
190/100-101, 110-115, 124-127, 900

See application file for complete search history.

(56) **References Cited**

U.S. PATENT DOCUMENTS

5,462,213 A	*	10/1995	Watt	224/155
D409,376 S	*	5/1999	Golenz et al.	D3/217
D437,110 S	*	2/2001	Ivarson et al.	D3/217
6,474,524 B1	*	11/2002	Ivarson et al.	224/653

* cited by examiner

Primary Examiner—Philip S. Hyder

Assistant Examiner—RoseLynne (Ulm) Cody

(74) *Attorney, Agent, or Firm*—Young & Thompson

(57) **CLAIM**

The ornamental design for a bag, as shown.

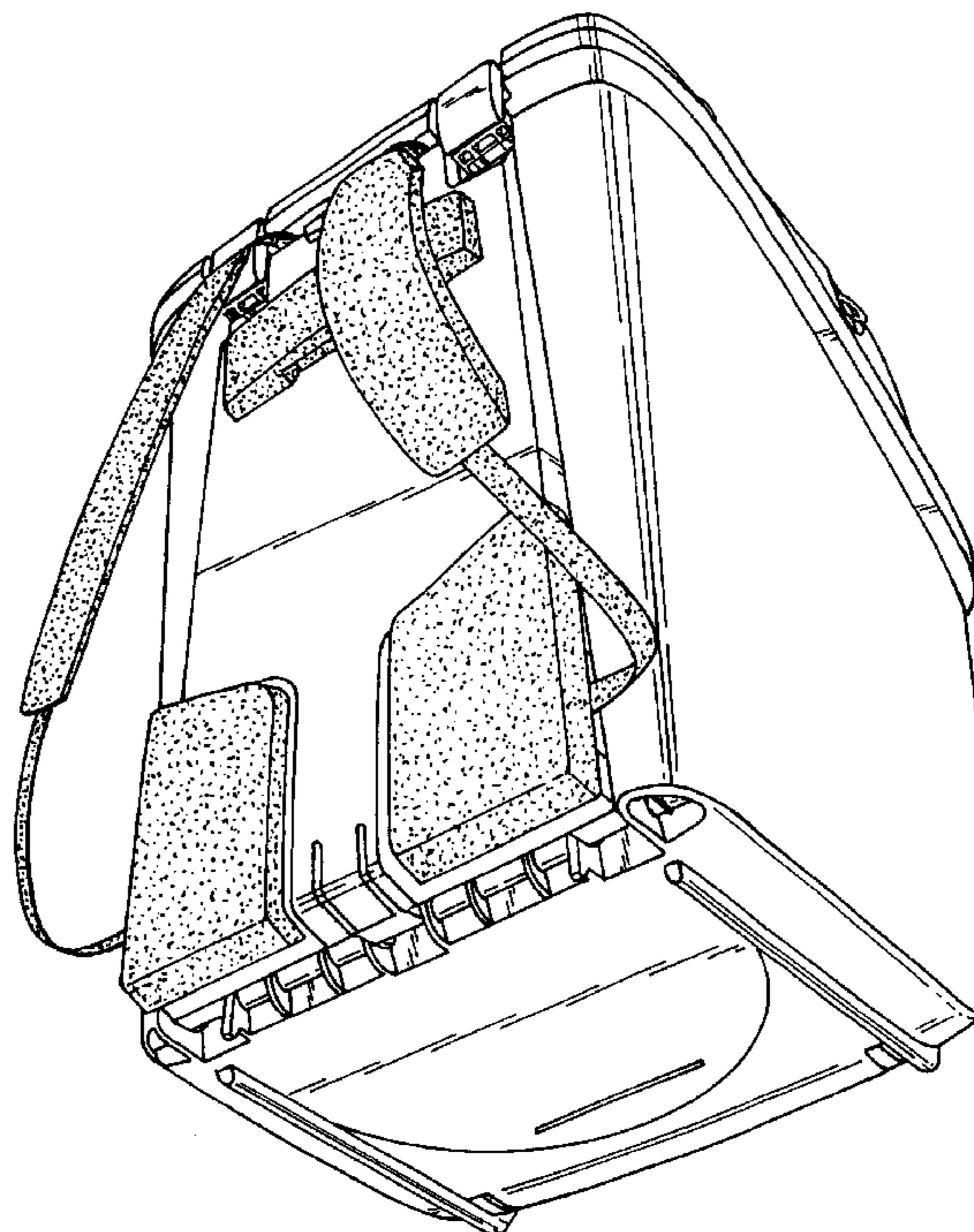
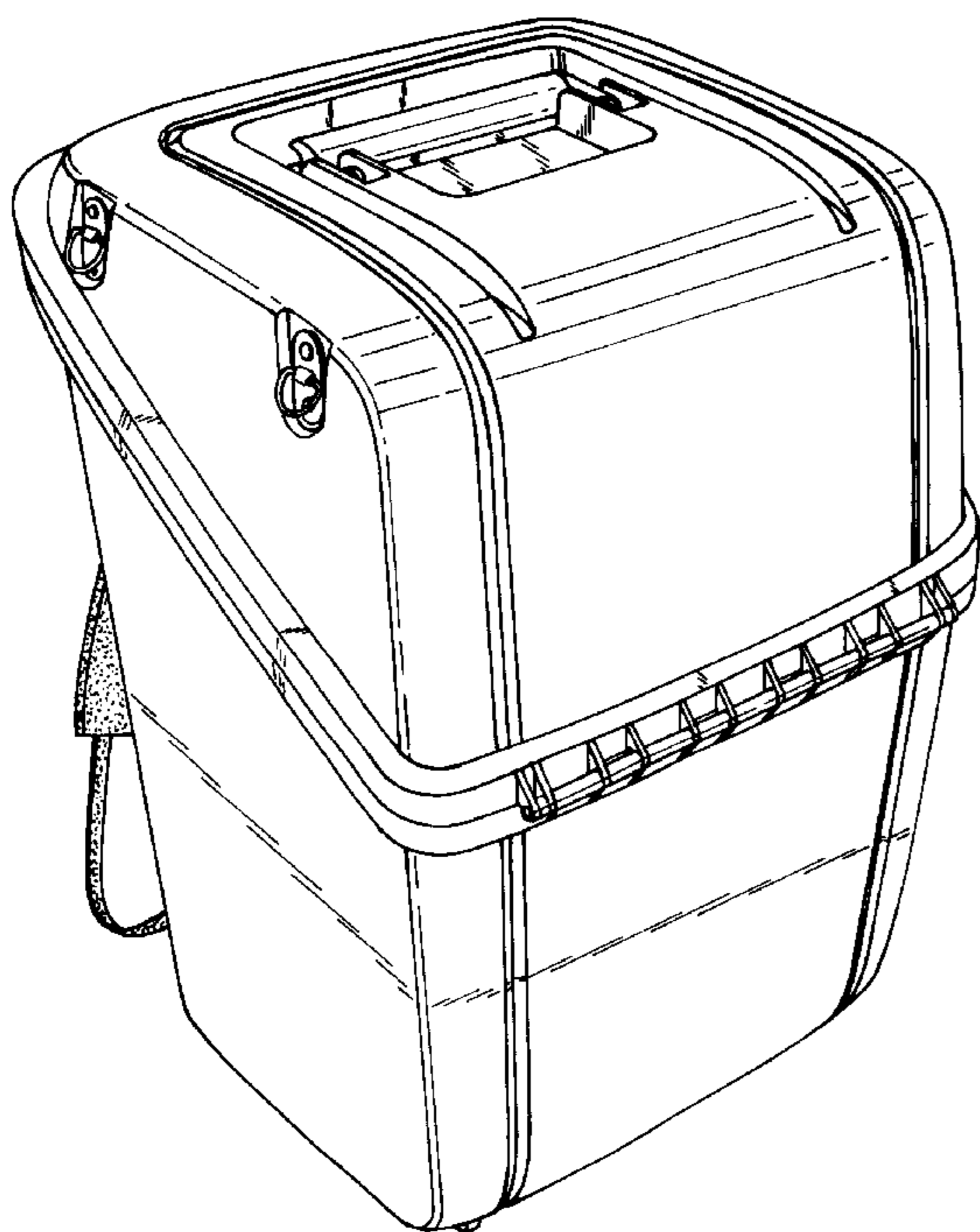
DESCRIPTION

FIG. 1 is a front and top perspective view of a bag showing our new design;

FIG. 2 is a top perspective view thereof from the side opposite that shown in FIG. 1; and,

FIG. 3 is a rear and bottom perspective view thereof.

1 Claim, 2 Drawing Sheets



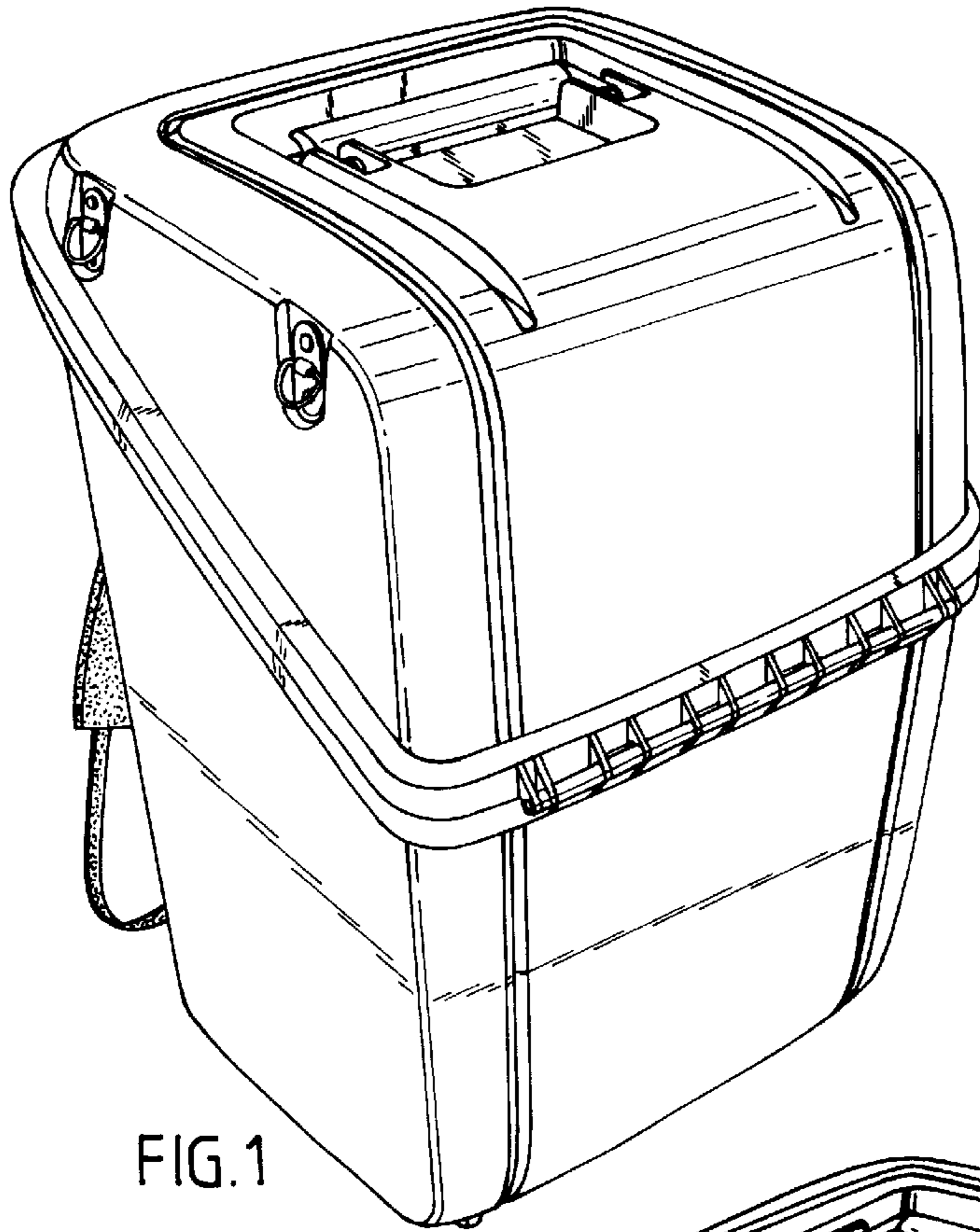


FIG. 1



FIG. 2

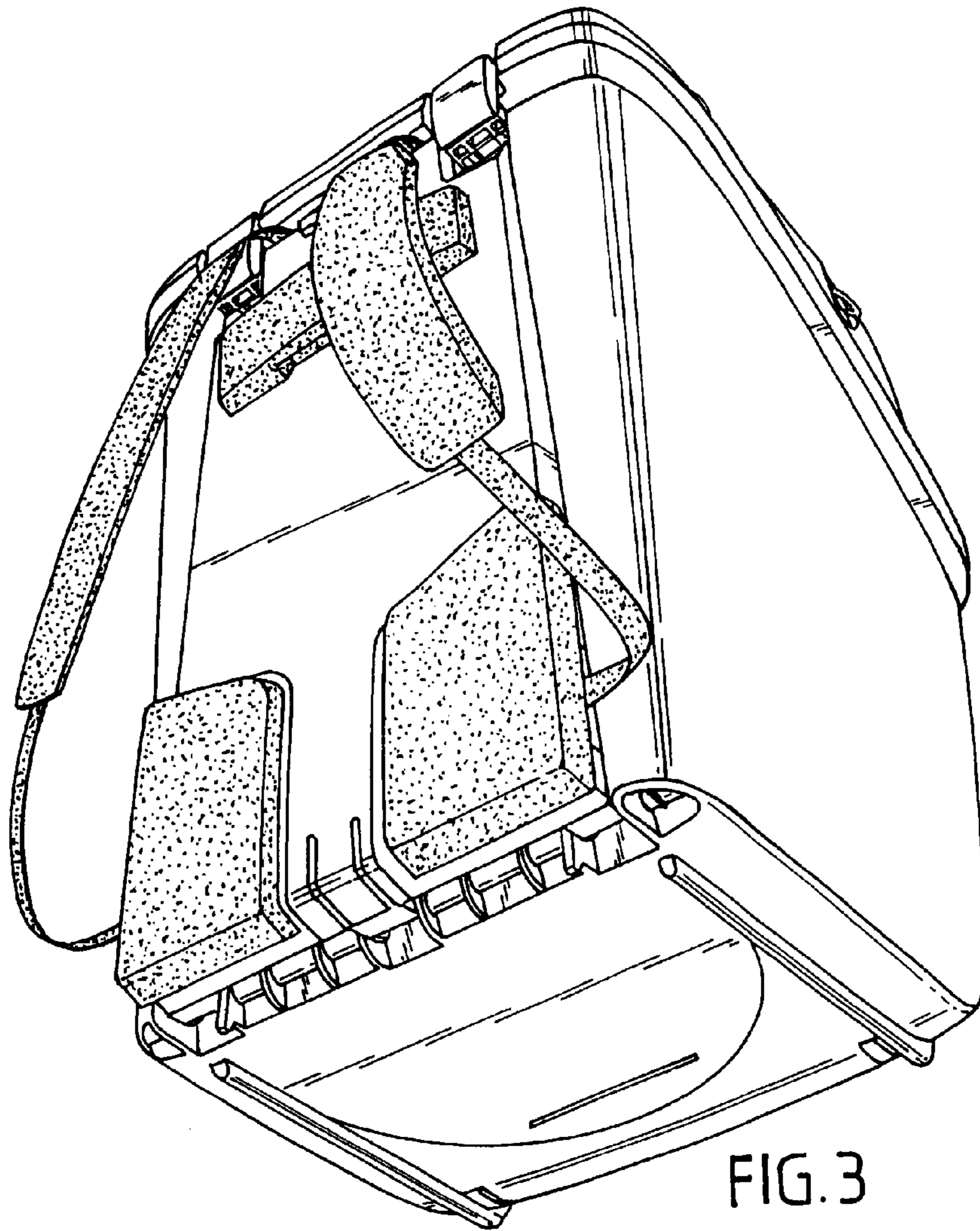


FIG. 3