

US00D535098S

(12) **United States Design Patent**
Maier

(10) **Patent No.:** **US D535,098 S**

(45) **Date of Patent:** **** Jan. 16, 2007**

(54) **HANDBAG**

(75) **Inventor:** **Tomas Maier**, Miami, FL (US)

(73) **Assignee:** **Bottega Veneta International Sarl**,
Luxembourg (LU)

(**) **Term:** **14 Years**

(21) **Appl. No.:** **29/254,123**

(22) **Filed:** **Feb. 17, 2006**

(30) **Foreign Application Priority Data**

Sep. 9, 2005 (EM) 000398284

(51) **LOC (8) Cl.** **03-01**

(52) **U.S. Cl.** **D3/246**

(58) **Field of Classification Search** D3/231,
D3/232, 239, 240, 241, 245, 246, 303, 318,
D3/319, 904; 150/100, 107, 108, 110, 112,
150/118, 120; 190/100, 108, 109, 115, 118,
190/121, 122, 903; 383/6, 7, 8, 10, 12, 16,
383/30, 31, 42, 66, 78, 84, 93, 97, 98, 117
See application file for complete search history.

(56) **References Cited**

U.S. PATENT DOCUMENTS

4,244,408 A * 1/1981 Shoda 383/8

5,002,400 A * 3/1991 Strand 383/7
D330,114 S * 10/1992 Carman D3/232
D374,348 S * 10/1996 Sarver D3/303
6,394,157 B1 * 5/2002 Luna 150/112
D509,059 S * 9/2005 Hayes D3/246
D521,728 S * 5/2006 Legay D3/246

* cited by examiner

Primary Examiner—Louis S. Zarfaz

Assistant Examiner—Monica A Weingart

(74) *Attorney, Agent, or Firm*—Kathleen A. Costigan;
Hedman & Costigan, P.C.

(57) **CLAIM**

The ornamental design for a handbag, as shown and described.

DESCRIPTION

FIG. 1 is a front perspective view of a handbag showing my new design;

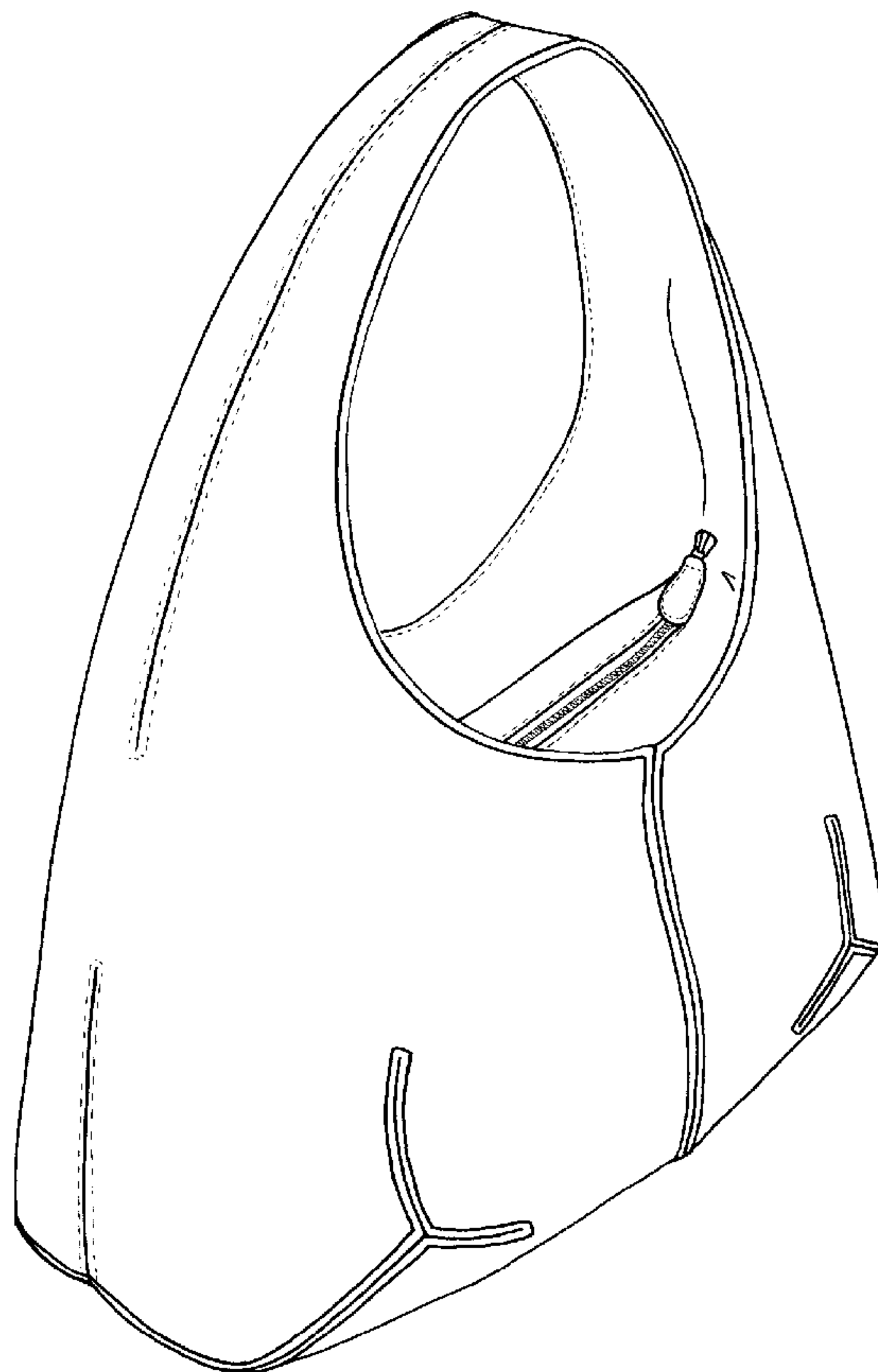
FIG. 2 is a front elevational view, the rear elevational view being identical thereof;

FIG. 3 is a right side elevational view, the left side being identical thereof;

FIG. 4 is a bottom plan view thereof; and,

FIG. 5 is a top plan view thereof.

1 Claim, 3 Drawing Sheets



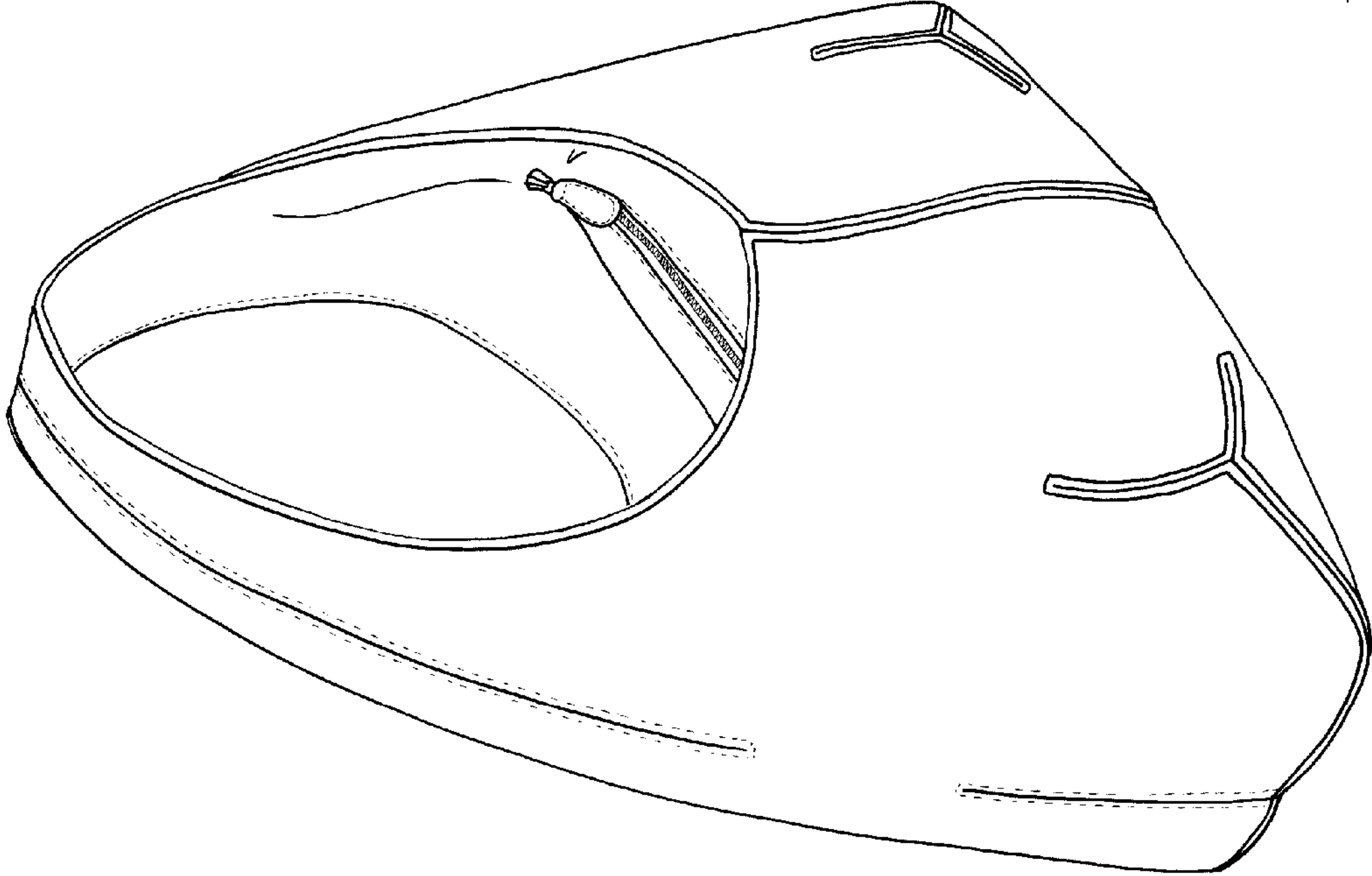


Fig. 1

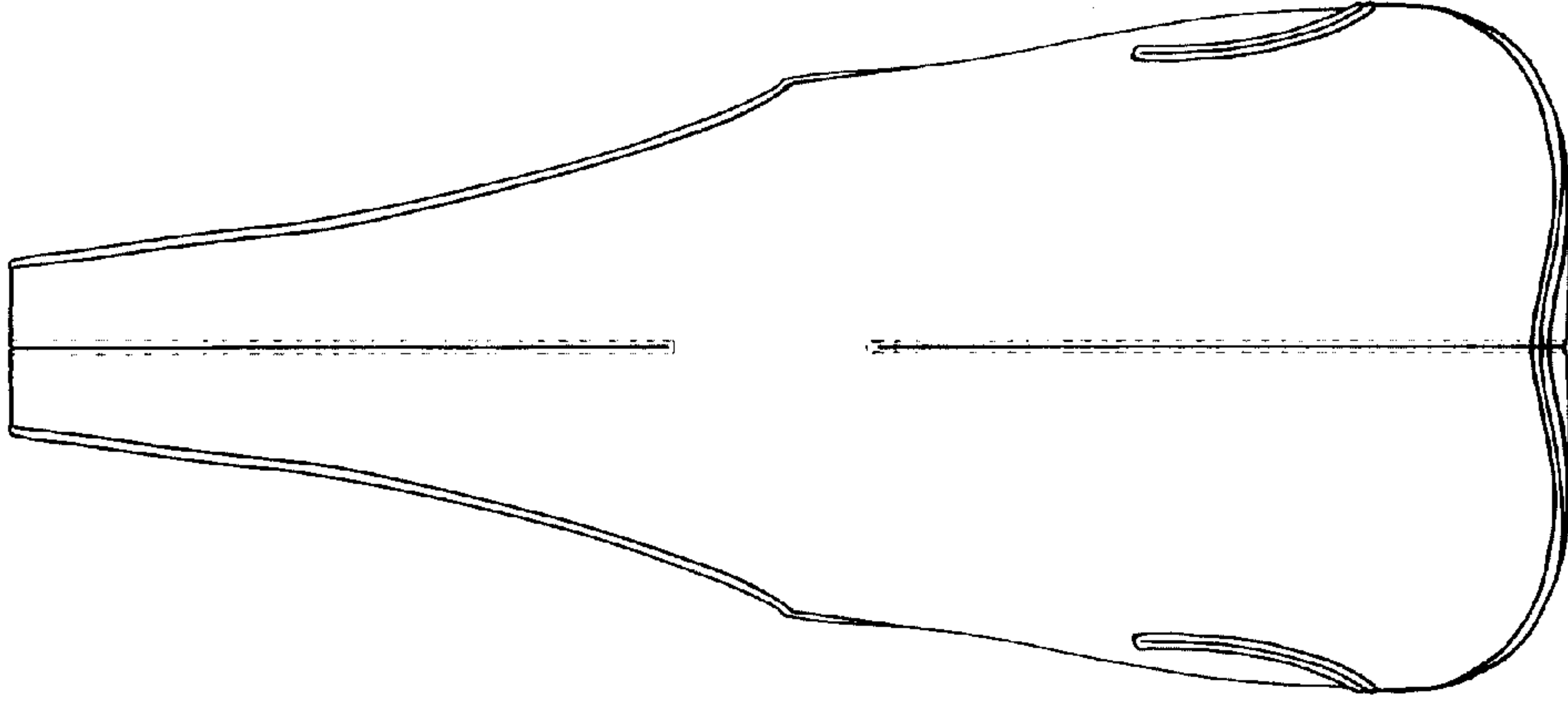


Fig. 3

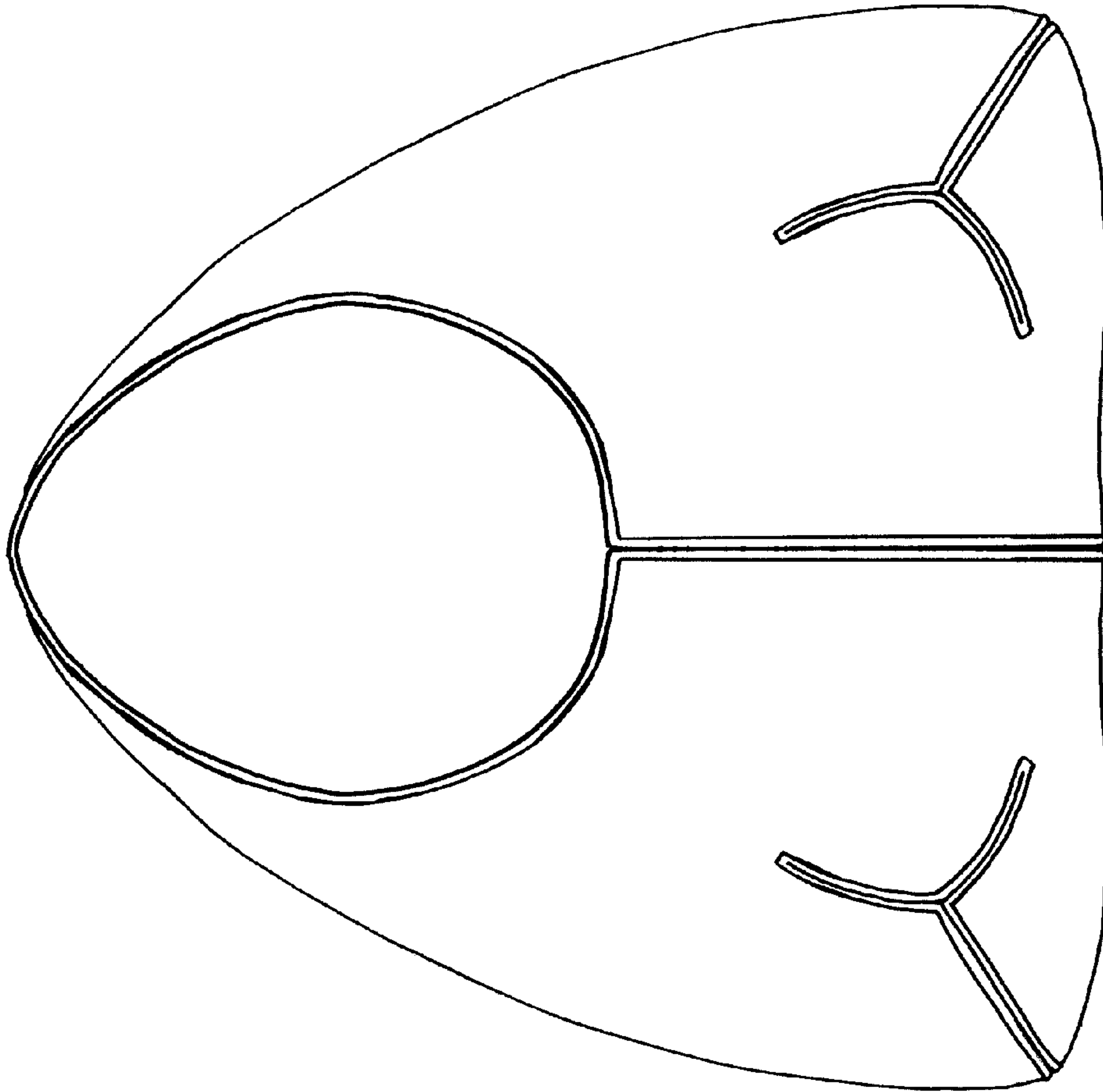


Fig. 2

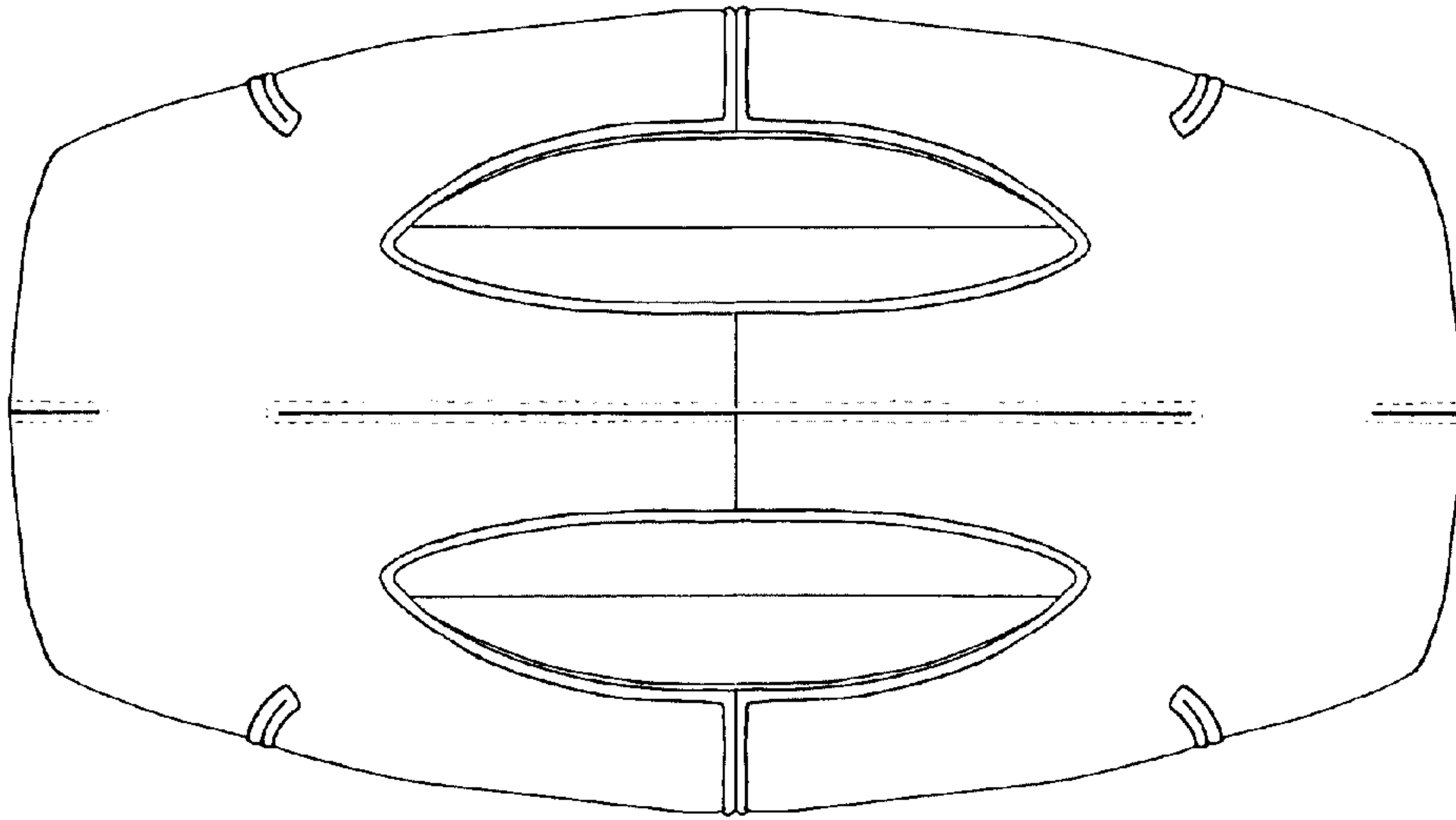


Fig. 5

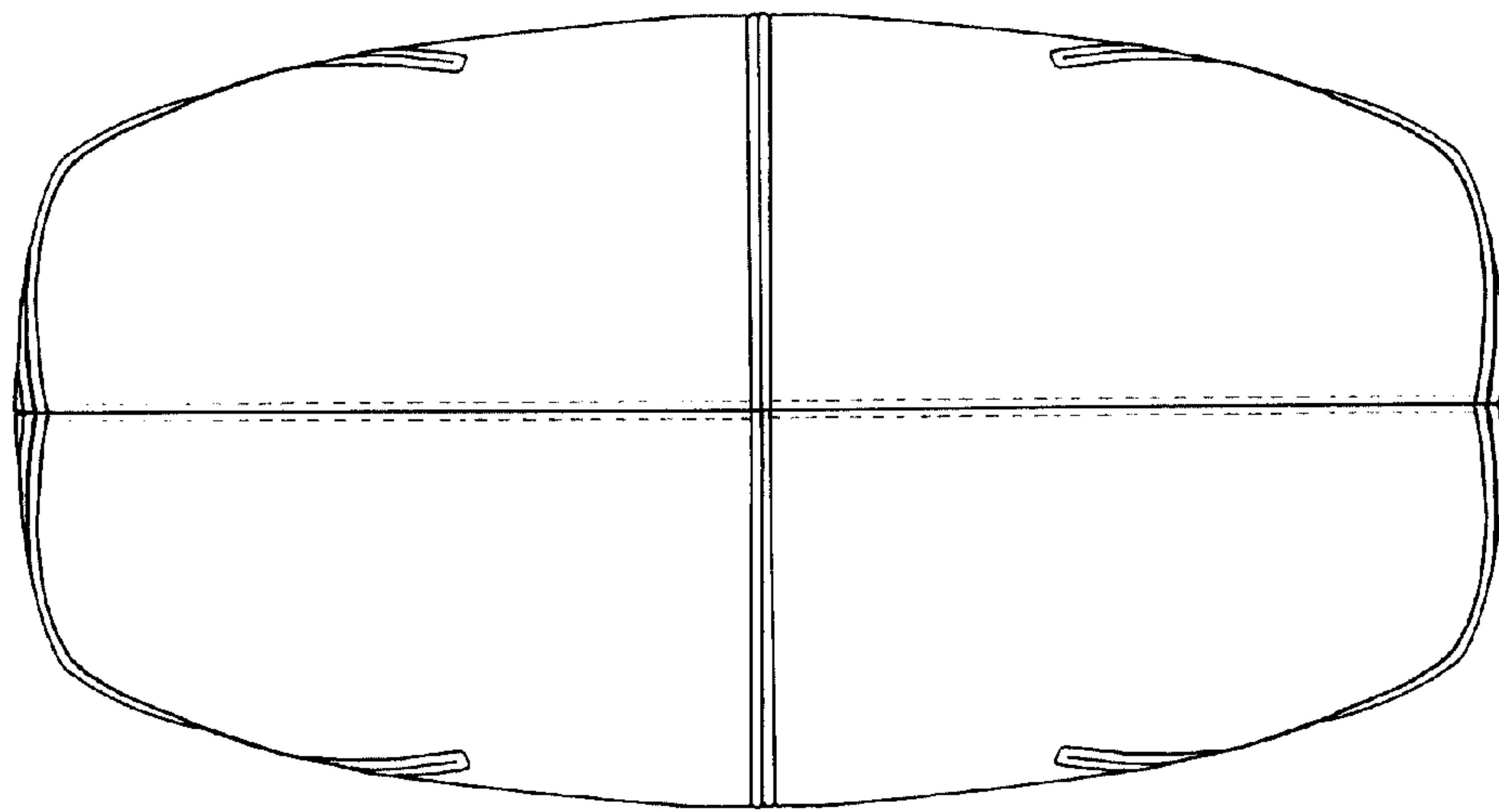


Fig. 4