



US00D535094S

(12) **United States Design Patent**  
**Williams**

(10) **Patent No.:** **US D535,094 S**  
(45) **Date of Patent:** **\*\* Jan. 16, 2007**

(54) **OVERSHOE TOE PORTION**

(76) Inventor: **Timothy A. Williams**, 14460 St. Marys St., Detroit, MI (US) 48227

(\*\*) Term: **14 Years**

(21) Appl. No.: **29/213,961**

(22) Filed: **Sep. 23, 2004**

(51) **LOC (8) Cl.** ..... **02-99**

(52) **U.S. Cl.** ..... **D2/972; D2/909**

(58) **Field of Classification Search** ..... D2/909-912,  
D2/970, 972-974; 36/50.1, 83, 84, 7.3, 7.1 R-7.4,  
36/4

See application file for complete search history.

(56) **References Cited**

**U.S. PATENT DOCUMENTS**

2,287,985	A	*	6/1942	Gookin	.....	36/50.1
D141,953	S	*	8/1945	Christison	.....	D2/974
D448,144	S	*	9/2001	Jacobs	.....	D2/911
D472,040	S	*	3/2003	Koo	.....	D2/972
D504,217	S	*	4/2005	Glenn	.....	D2/972

\* cited by examiner

*Primary Examiner*—Dominic Simone

(74) *Attorney, Agent, or Firm*—John R. Benefiel

(57) **CLAIM**

The ornamental design for an overshoe toe portion, as shown and described.

**DESCRIPTION**

FIG. 1 is a pictorial view of an overshoe toe portion according to the present invention, the remaining overshoe portions shown in broken lines, not forming a part of the invention.

FIG. 2 is a right side elevational view of the overshoe toe portion shown in FIG. 1, the remaining overshoe portions shown in broken lines, not forming a part of the invention.

FIG. 3 is a left side view of the overshoe toe portion shown in FIGS. 1-3, the remaining overshoe portions shown in broken lines, not forming a part of the invention.

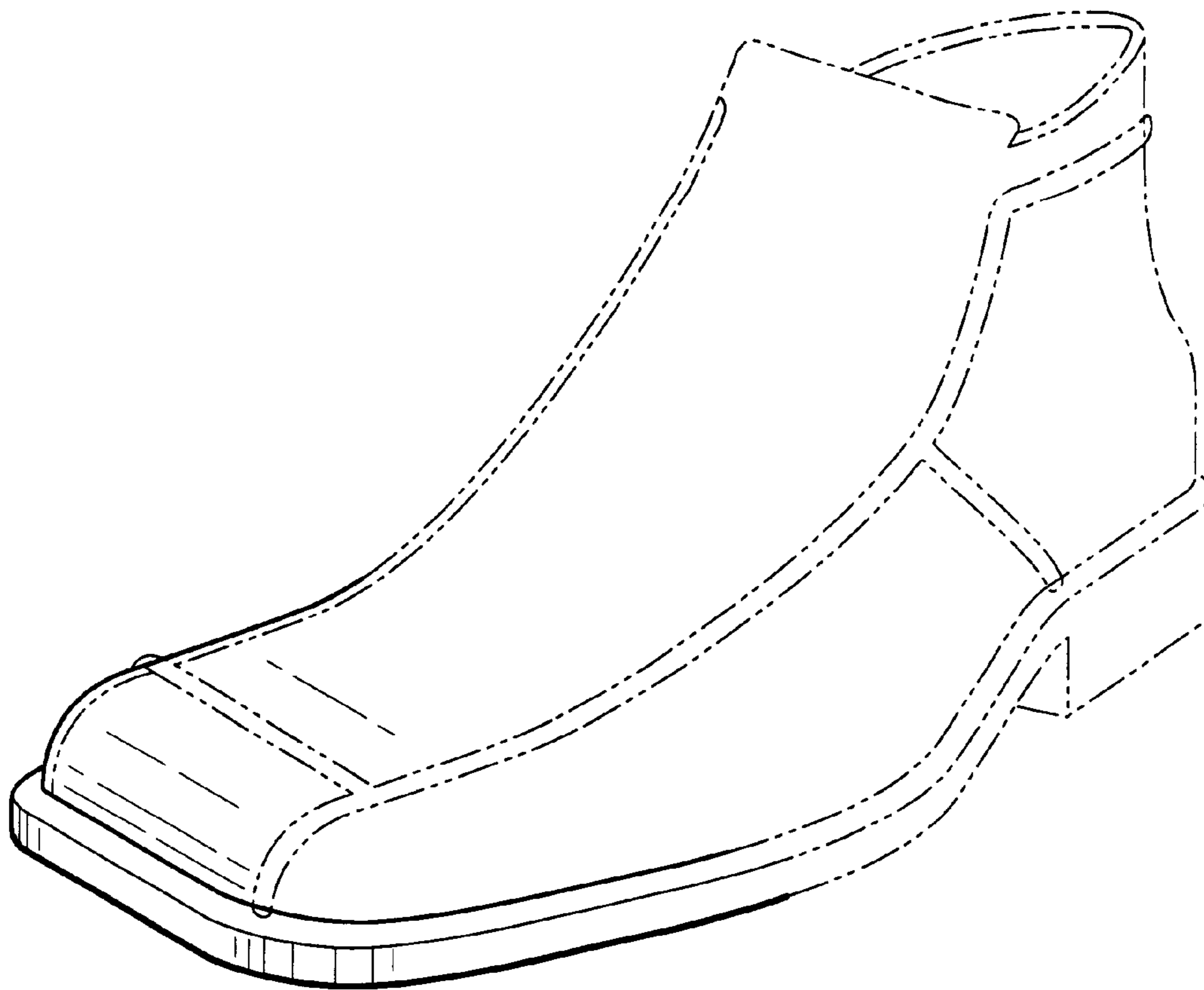
FIG. 4 is a top view of the overshoe toe portion shown in FIGS. 1-4, the remaining overshoe portions shown in broken lines, not forming a part of the invention.

FIG. 5 is a bottom view of the overshoe toe portion shown in FIGS. 1 and 2, the remaining overshoe portions shown in broken lines, not forming a part of the invention.

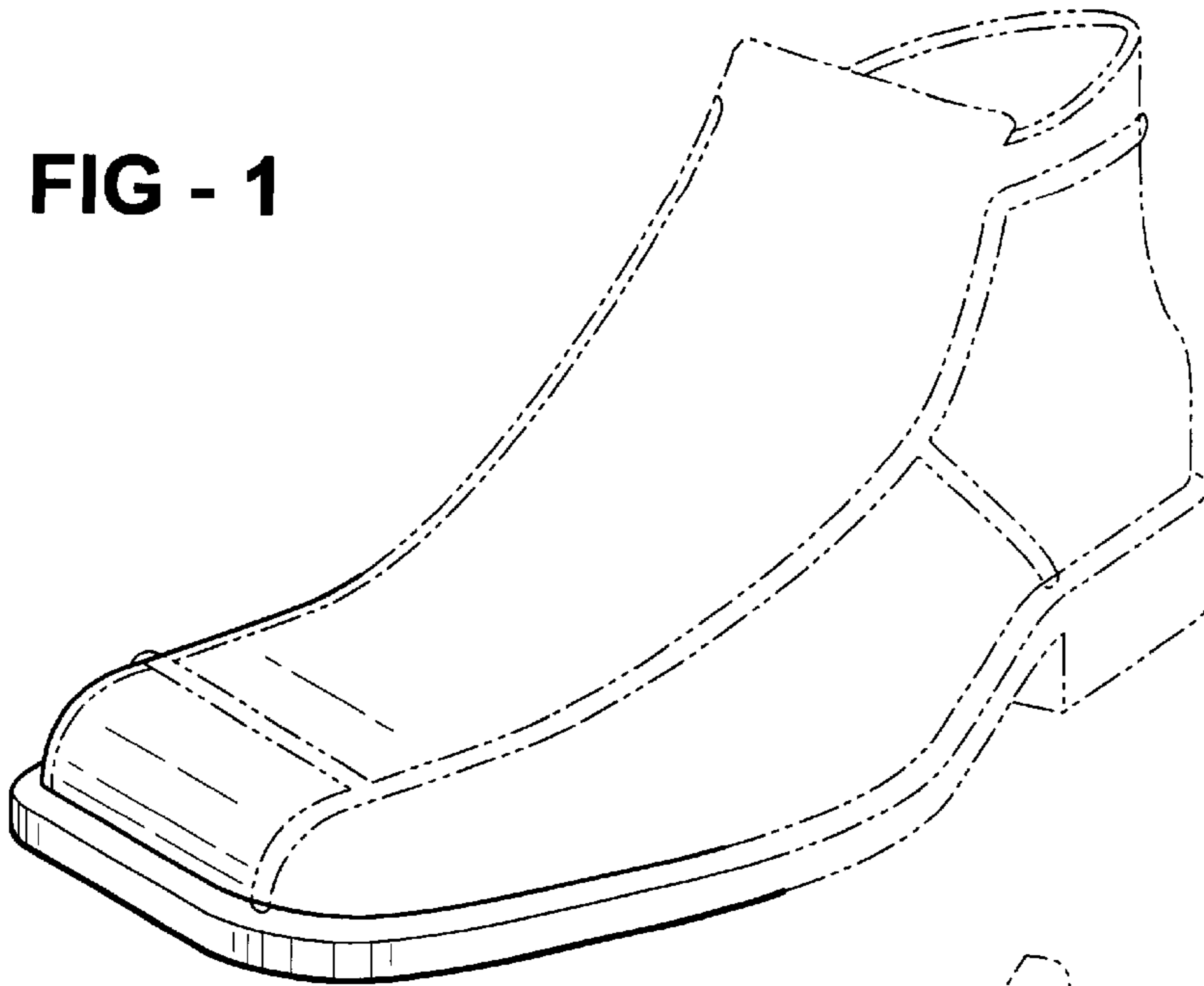
FIG. 6 is a front end view of the overshoe toe portion shown in FIGS 1-5, the remaining overshoe portions shown in broken lines, not forming a part of the invention; and,

FIG. 7 is a rear end view of the overshoe toe portion shown in FIGS. 1-6, the remaining overshoe portions shown in broken lines, not forming a part of the invention.

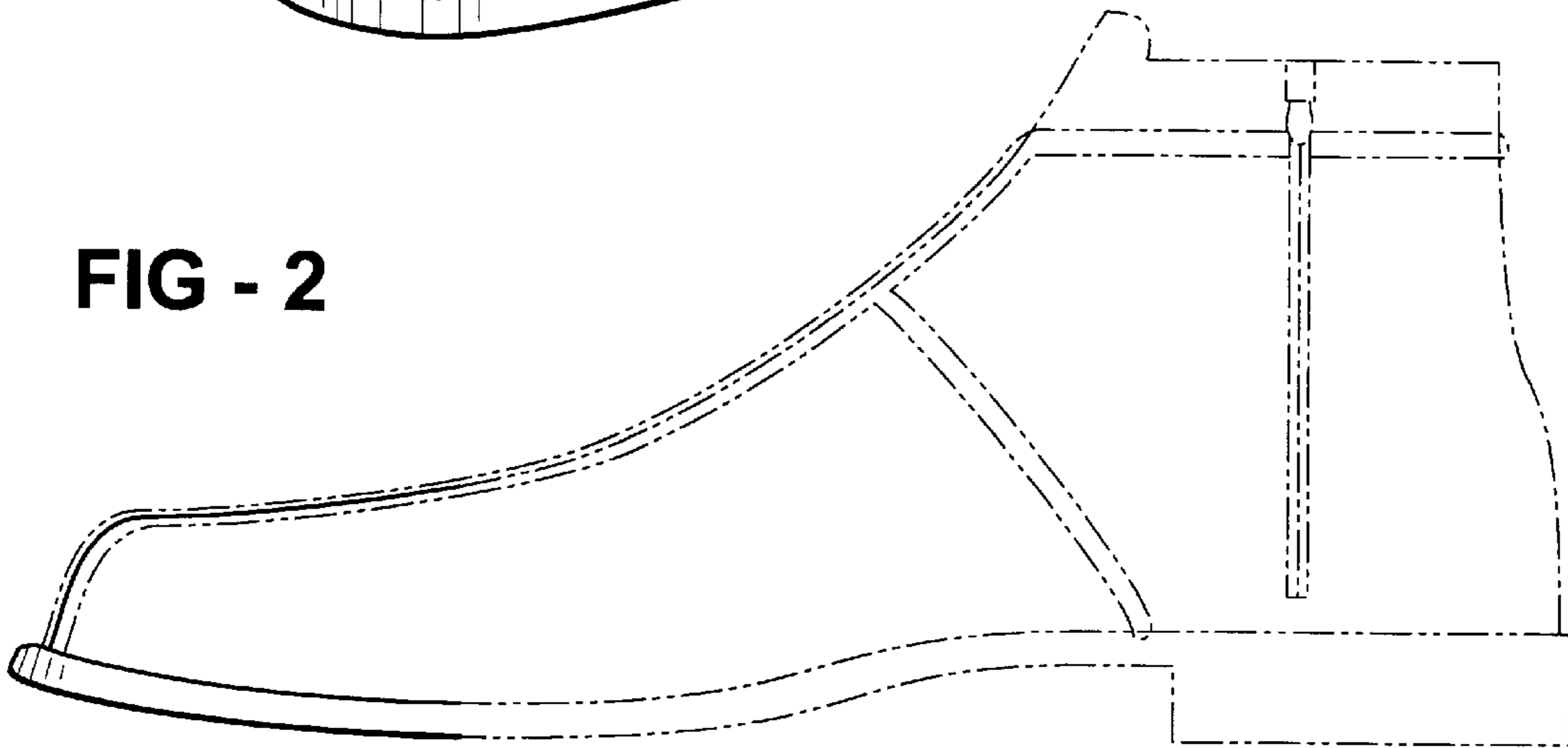
**1 Claim, 2 Drawing Sheets**



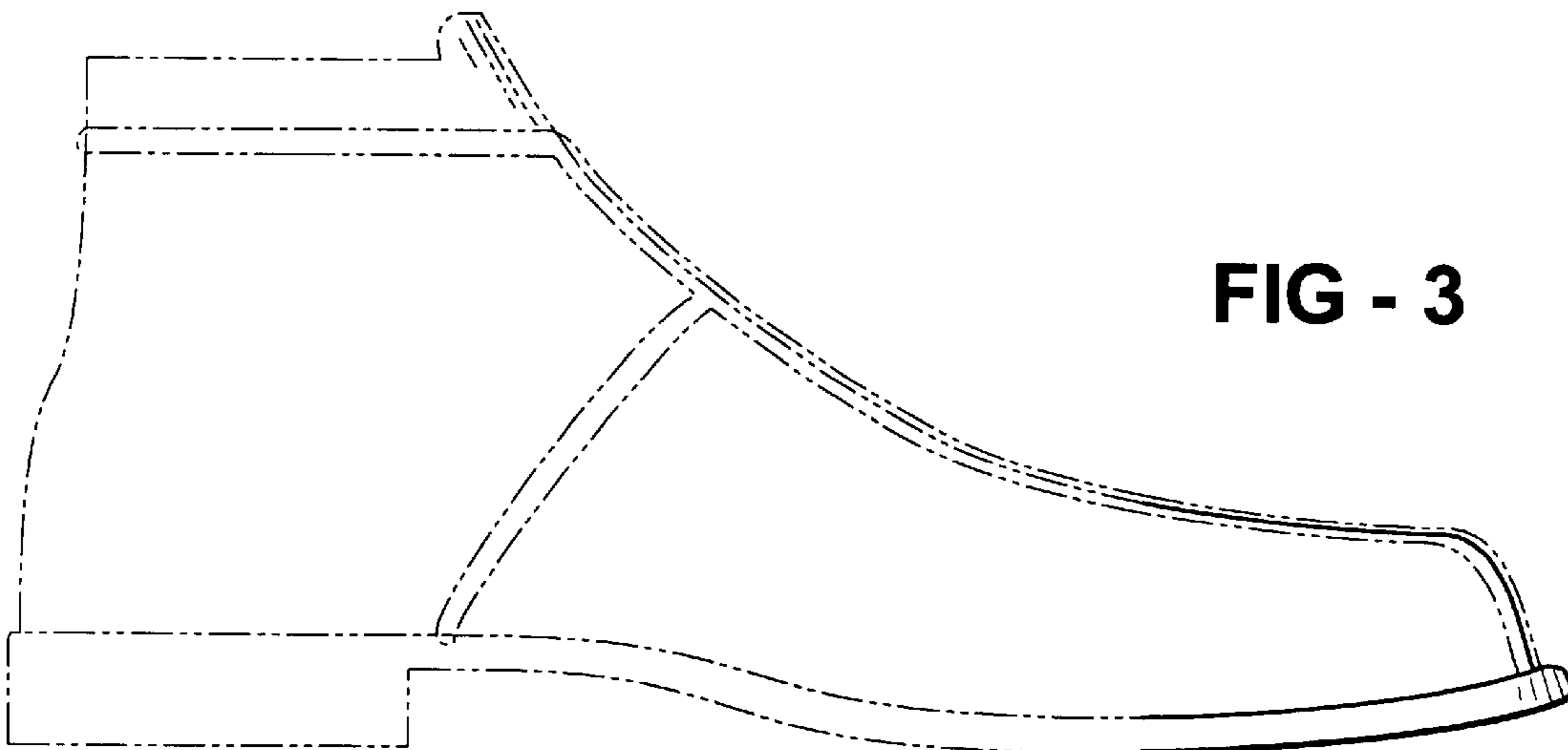
**FIG - 1**



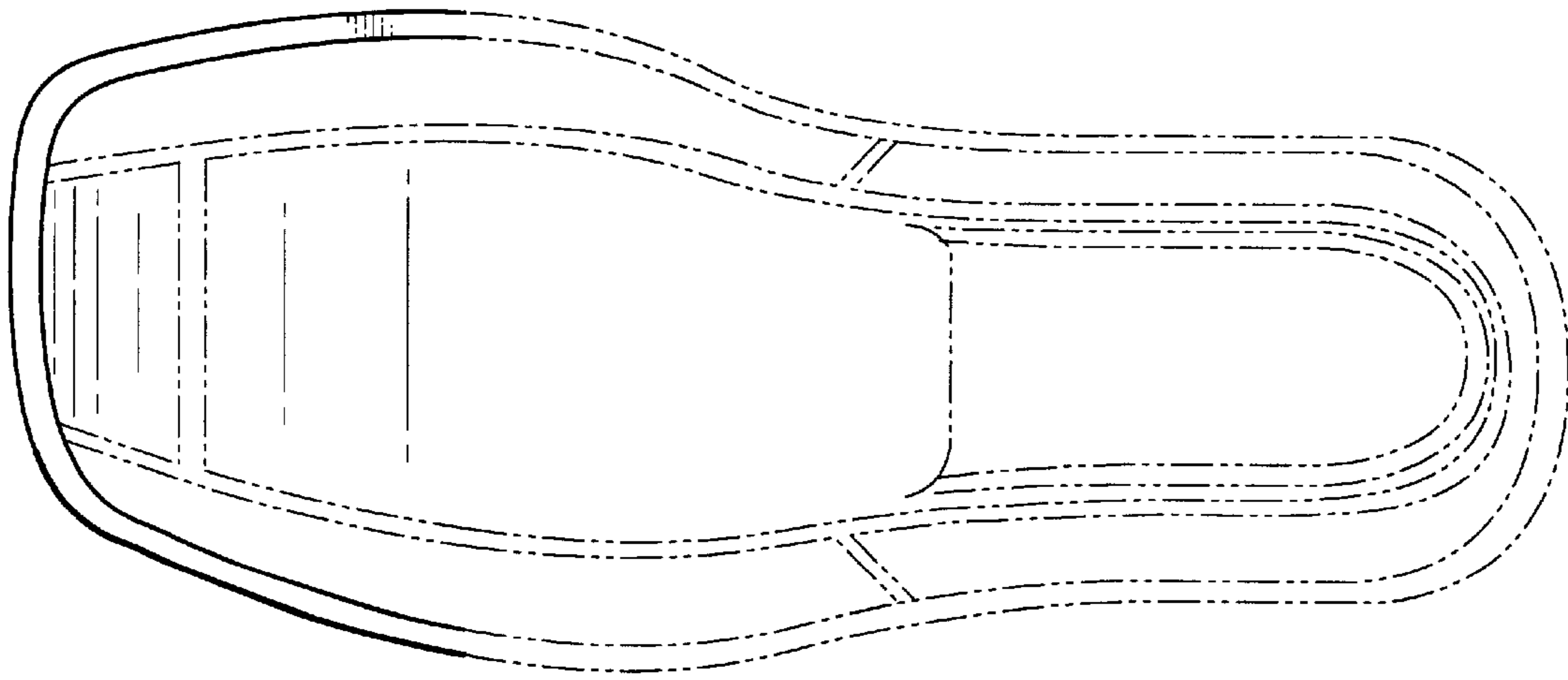
**FIG - 2**



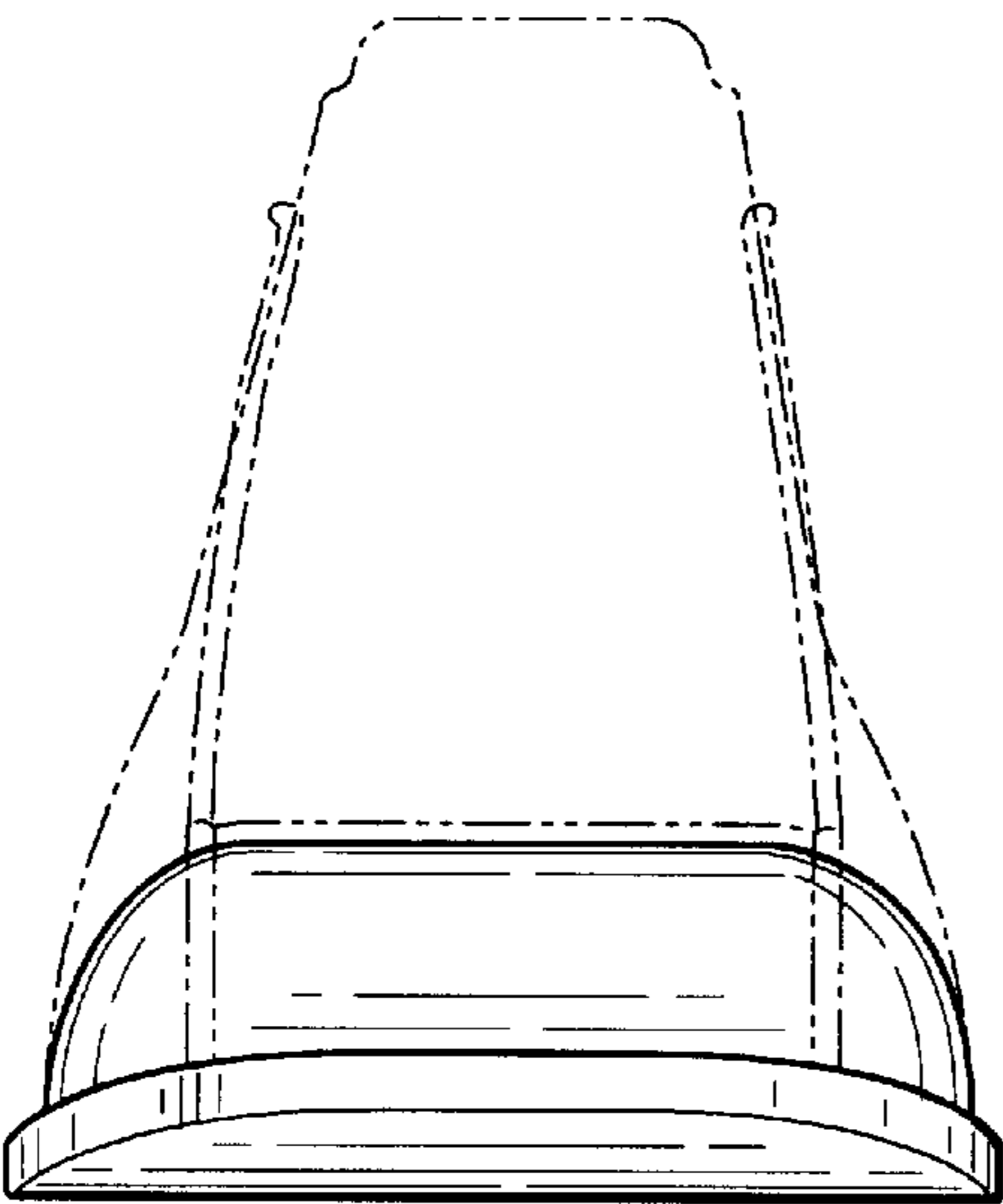
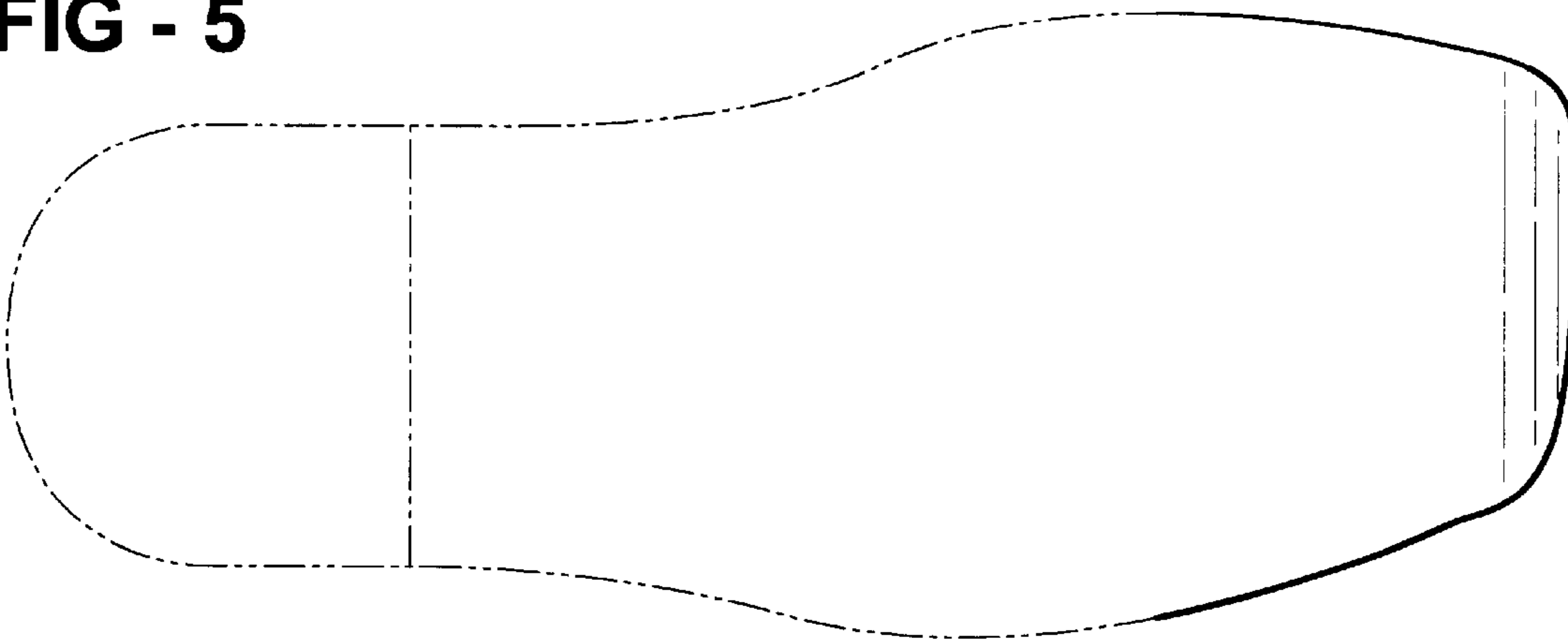
**FIG - 3**



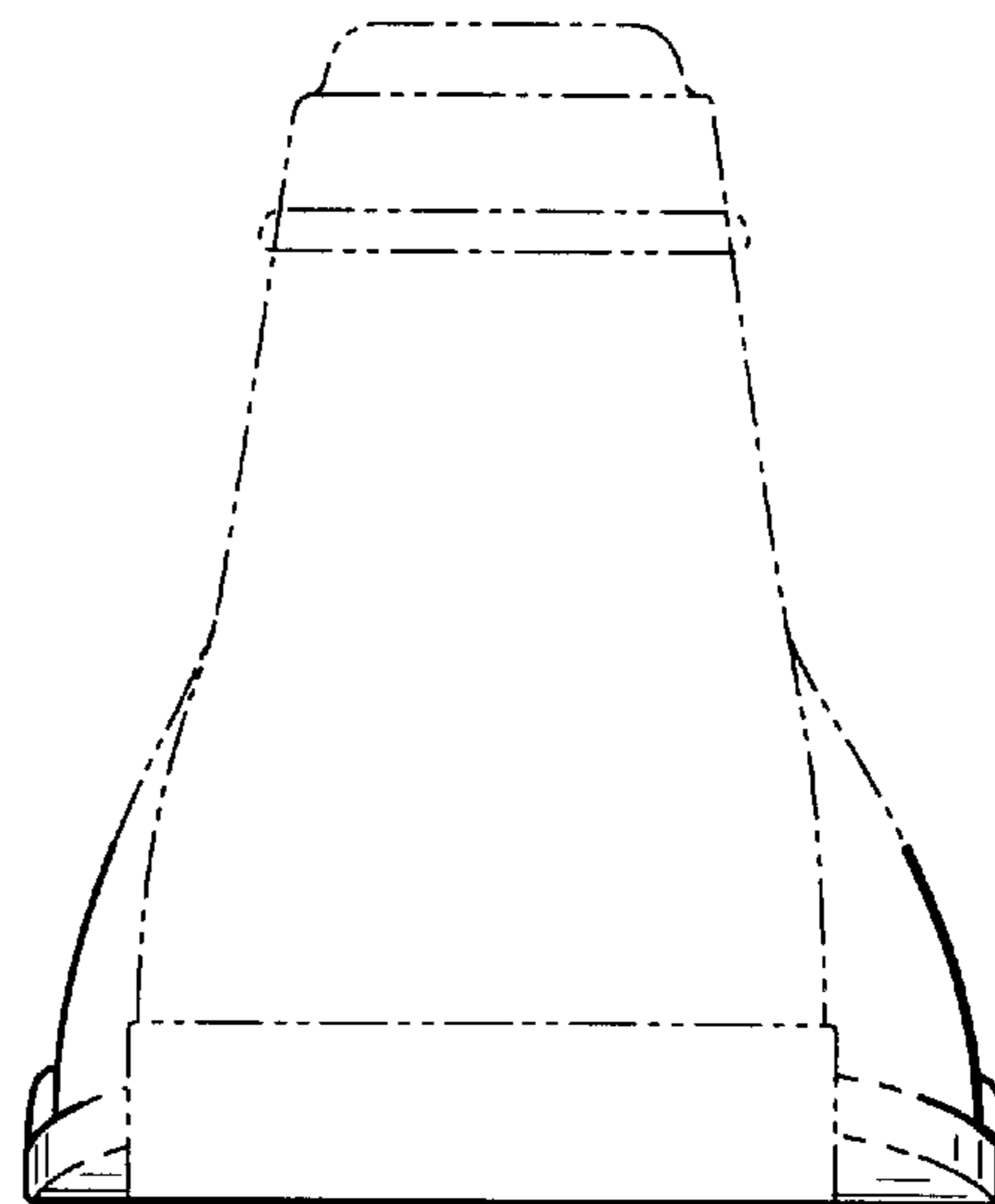
**FIG - 4**



**FIG - 5**



**FIG - 6**



**FIG - 7**