



US00D535086S

(12) **United States Design Patent**
Pace

(10) **Patent No.:** **US D535,086 S**

(45) **Date of Patent:** **** Jan. 16, 2007**

(54) **SKATE OR BOOT ACCESSORY HAVING BATTERY-POWERED LED LIGHTS WITH VIBRATION-ACTIVATING SWITCH**

(76) Inventor: **Anthony Pace**, 1623 W. Grab Creek Rd., Dickson, TN (US) 37055

(**) Term: **14 Years**

(21) Appl. No.: **29/216,726**

(22) Filed: **Nov. 9, 2004**

(51) **LOC (8) Cl.** **02-99**

(52) **U.S. Cl.** **D2/946; D2/904; D2/976**

(58) **Field of Classification Search** D2/904, D2/909, 910, 946, 976; D21/761, 762; 36/114, 36/115; D10/104, 105, 114; 362/103, 459, 362/545

See application file for complete search history.

(56) **References Cited**

U.S. PATENT DOCUMENTS

D182,518 S	*	4/1958	Jones et al.	D21/761
4,026,047 A	*	5/1977	Ahmer	D2/976
4,463,412 A		7/1984	Broach		
5,327,329 A		7/1994	Stiles		
D351,140 S	*	10/1994	Davis	D2/946
D362,928 S	*	10/1995	Redden	D2/976
5,456,478 A		10/1995	Hsu et al.		
5,552,971 A		9/1996	Madden		
D377,957 S	*	2/1997	Chen	D2/901
D380,287 S	*	7/1997	Chen	D2/901
D386,000 S	*	11/1997	Cretinon	D2/978

D403,729 S		1/1999	Portzline		
D404,552 S	*	1/1999	Lupo	D2/963
6,238,055 B1		5/2001	Wallace		
D516,281 S	*	3/2006	Williams	D2/946
D518,946 S	*	4/2006	Williams	D2/972

* cited by examiner

Primary Examiner—Dominic Simone

(74) *Attorney, Agent, or Firm*—Donald R. Schoonover

(57) **CLAIM**

I claim the ornamental design for a skate or boot accessory having battery-powered LED lights with vibration-activating switch, as shown and described.

DESCRIPTION

FIG. 1 is a perspective view of a skate or boot accessory having battery-powered LED lights with vibration-activating switch showing my new design;

FIG. 2 is a side elevational view thereof, the elevational view of the opposing side being a mirror image thereof;

FIG. 3 is a top plan view thereof;

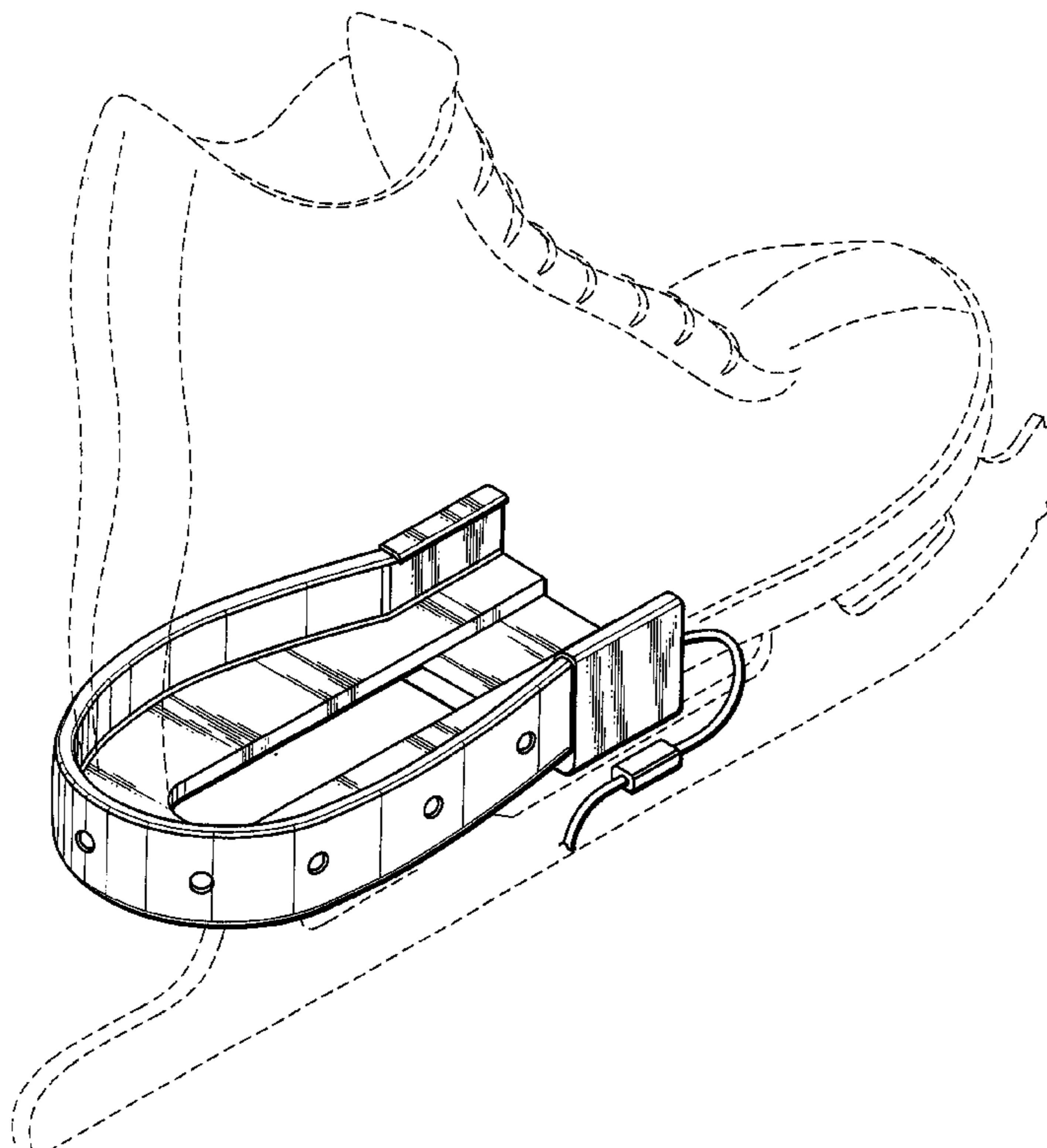
FIG. 4 is an end elevational view thereof;

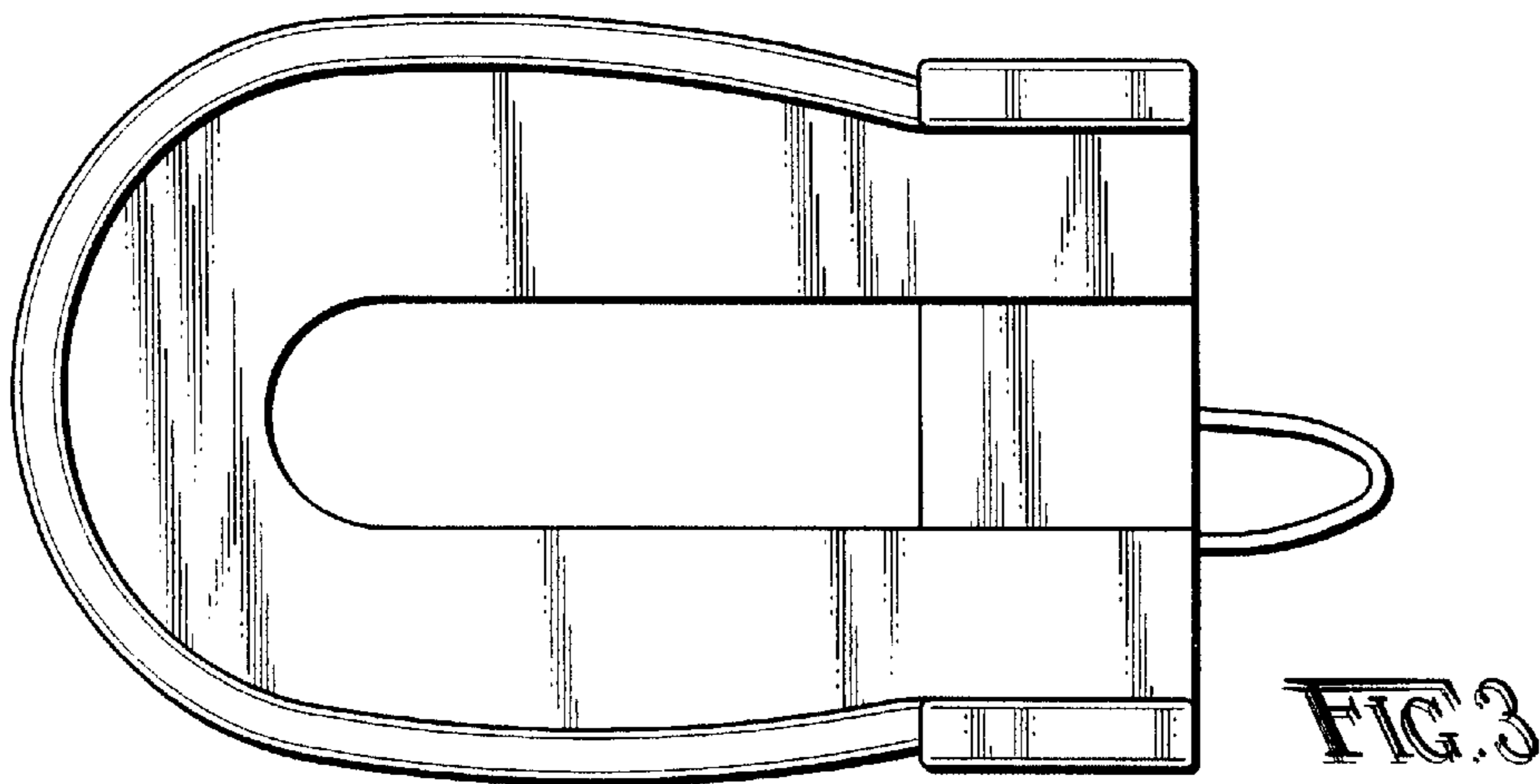
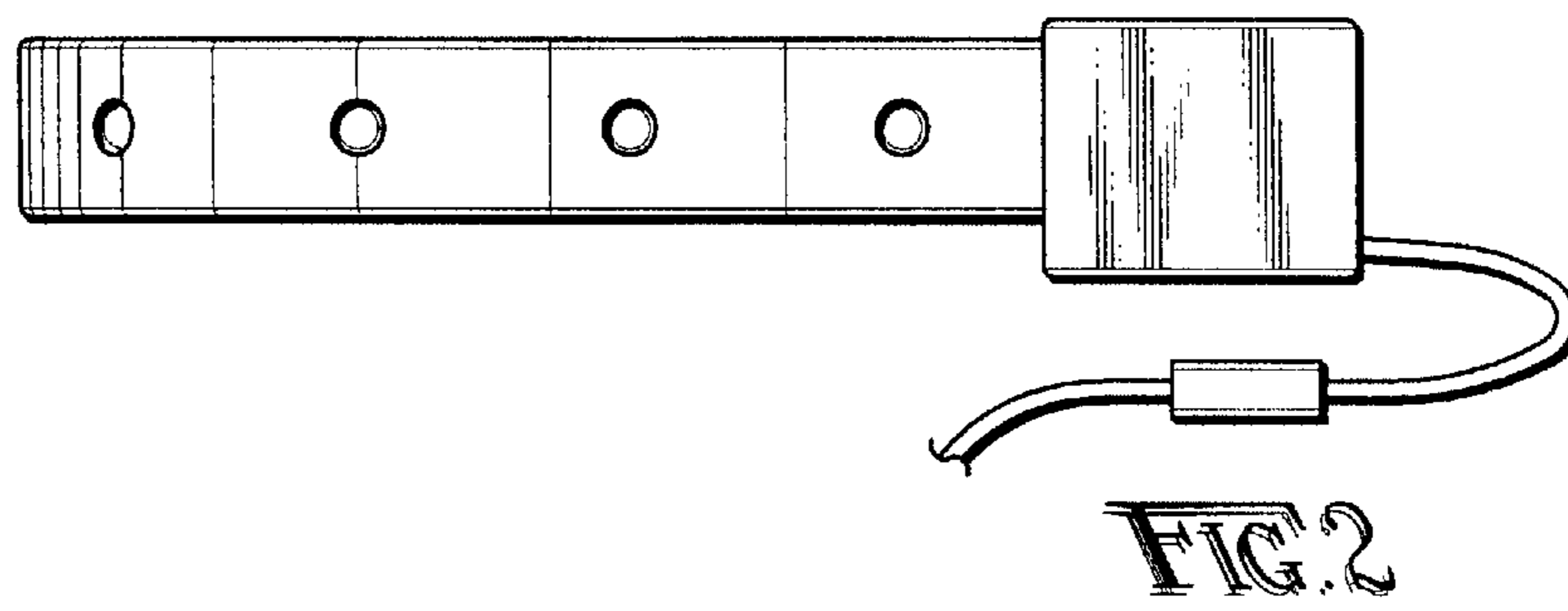
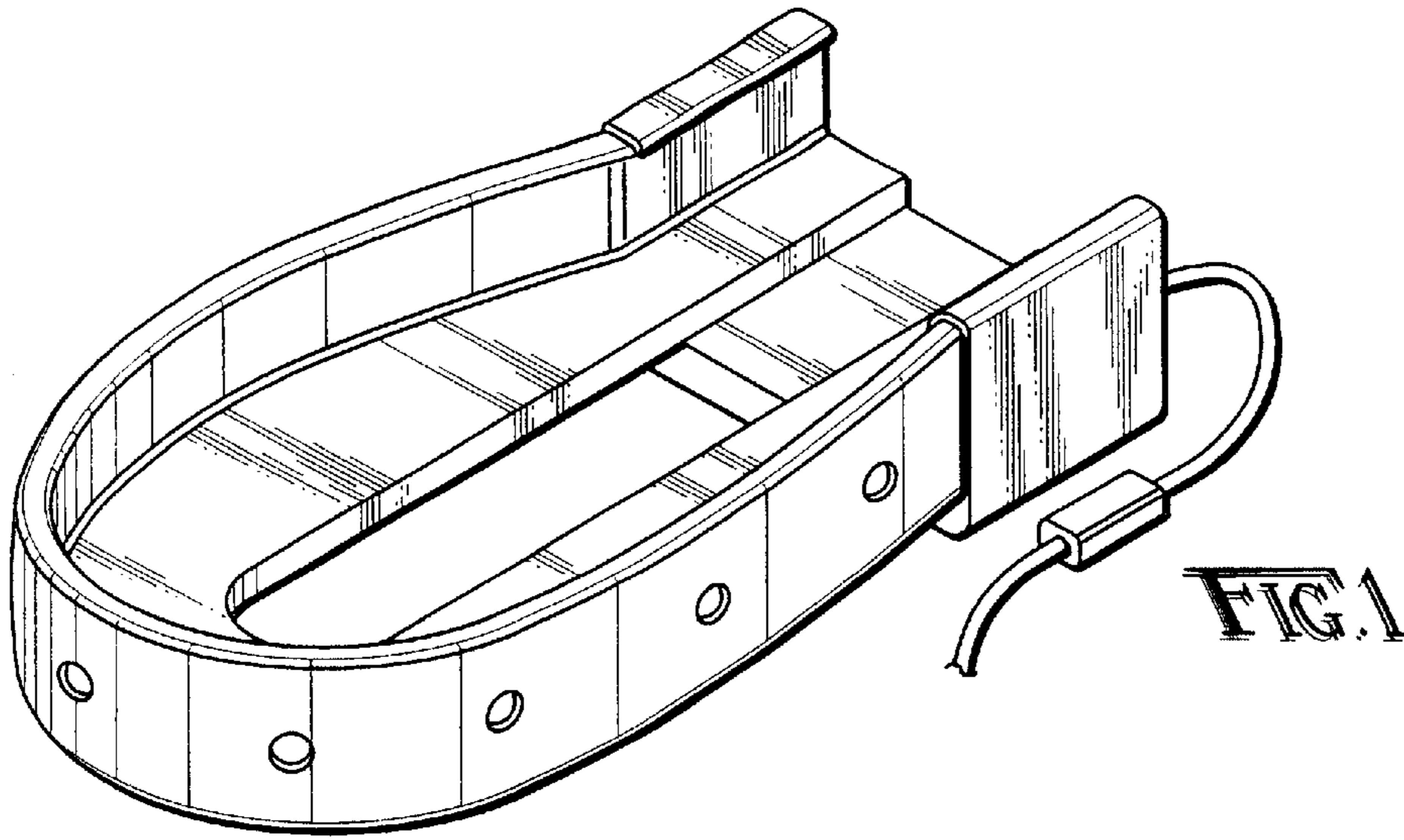
FIG. 5 is an elevational view of the opposing end thereof;

FIG. 6 is a bottom plan view thereof; and,

FIG. 7 is a reduced perspective view showing the skate or boot accessory having battery-powered LED lights with vibration-activating switch in use; the phantom lines depict environmental structure for illustrative purposes only and form no part of the claimed design.

1 Claim, 3 Drawing Sheets





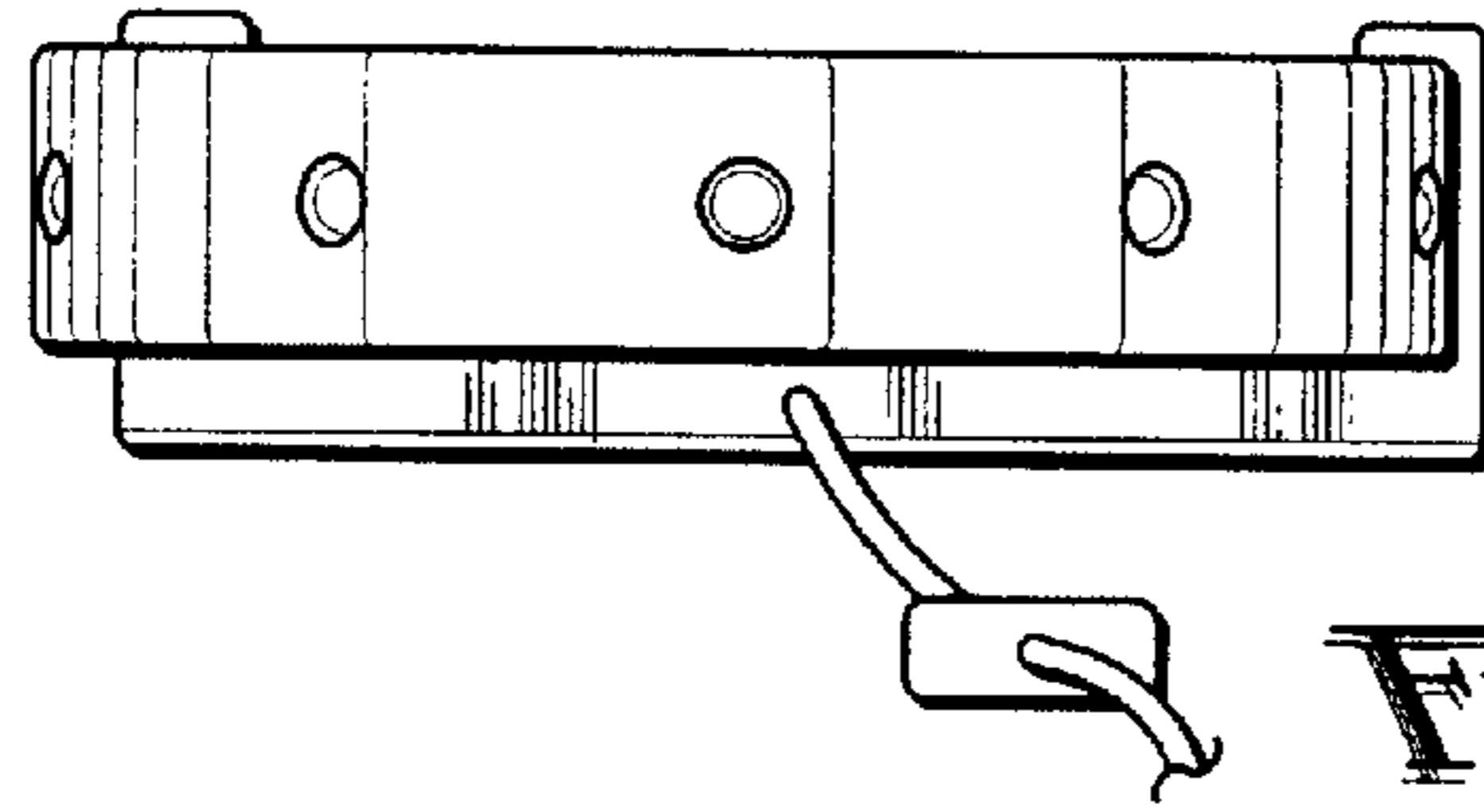


FIG. 4

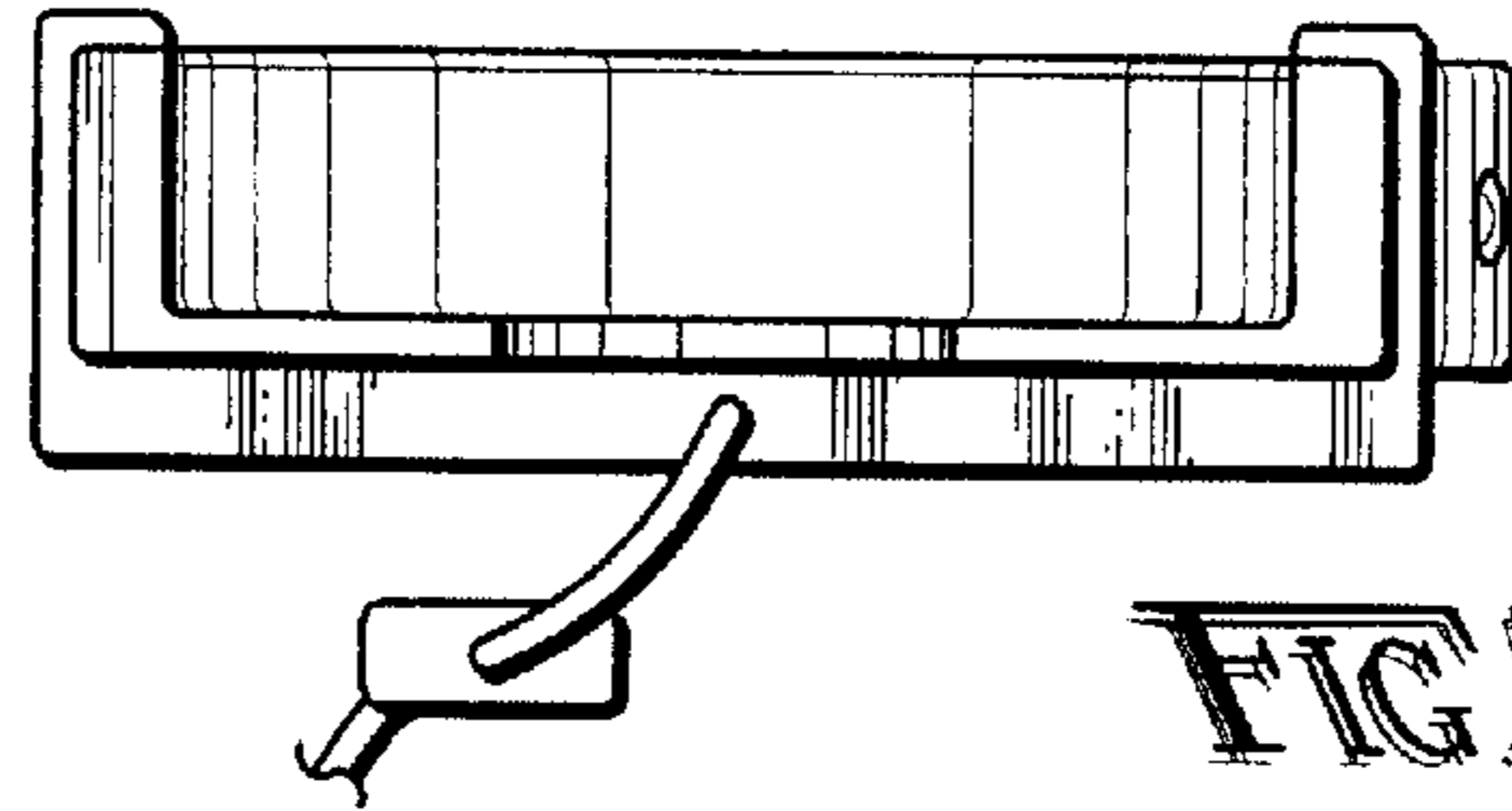


FIG. 5

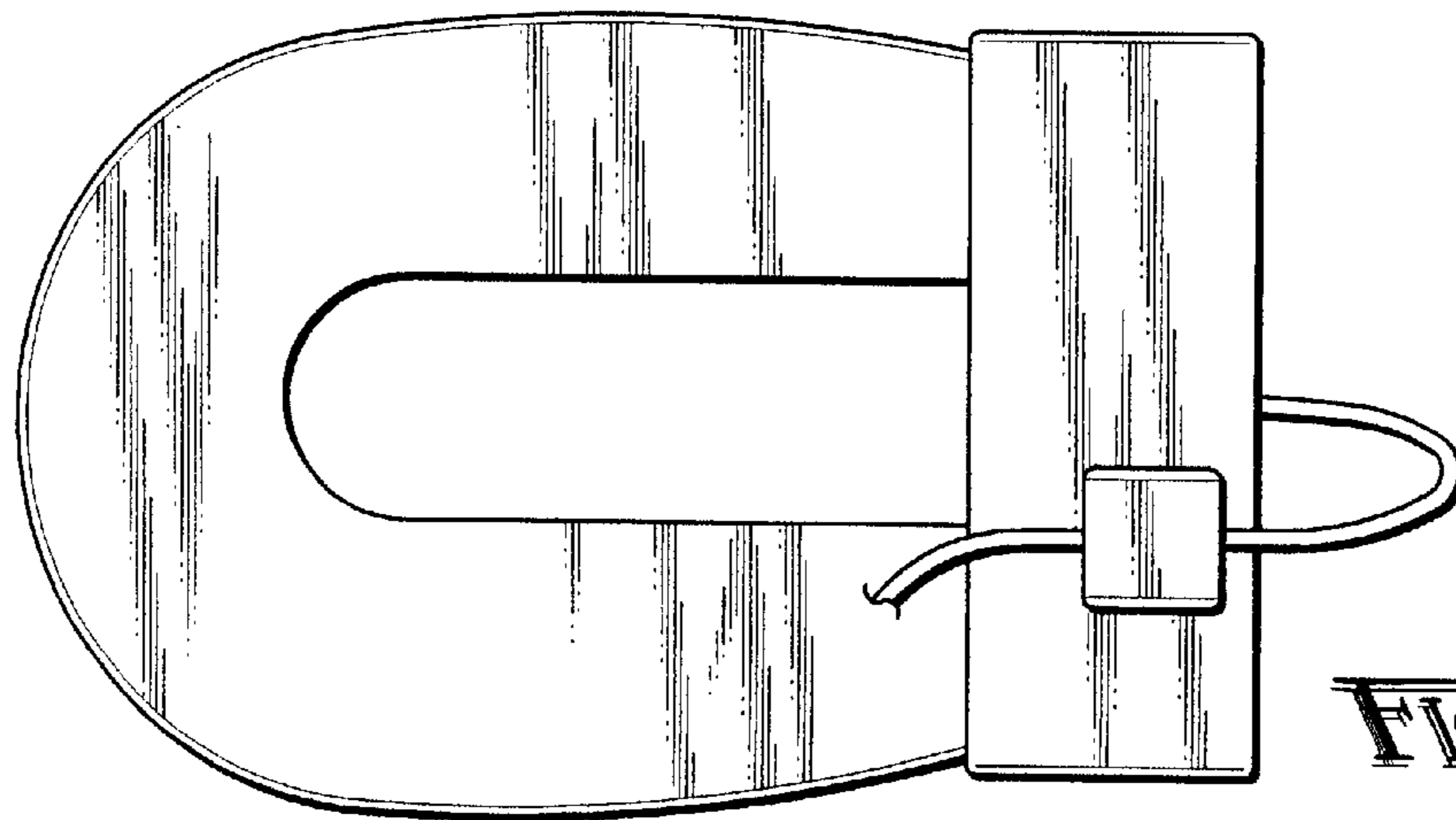


FIG. 6

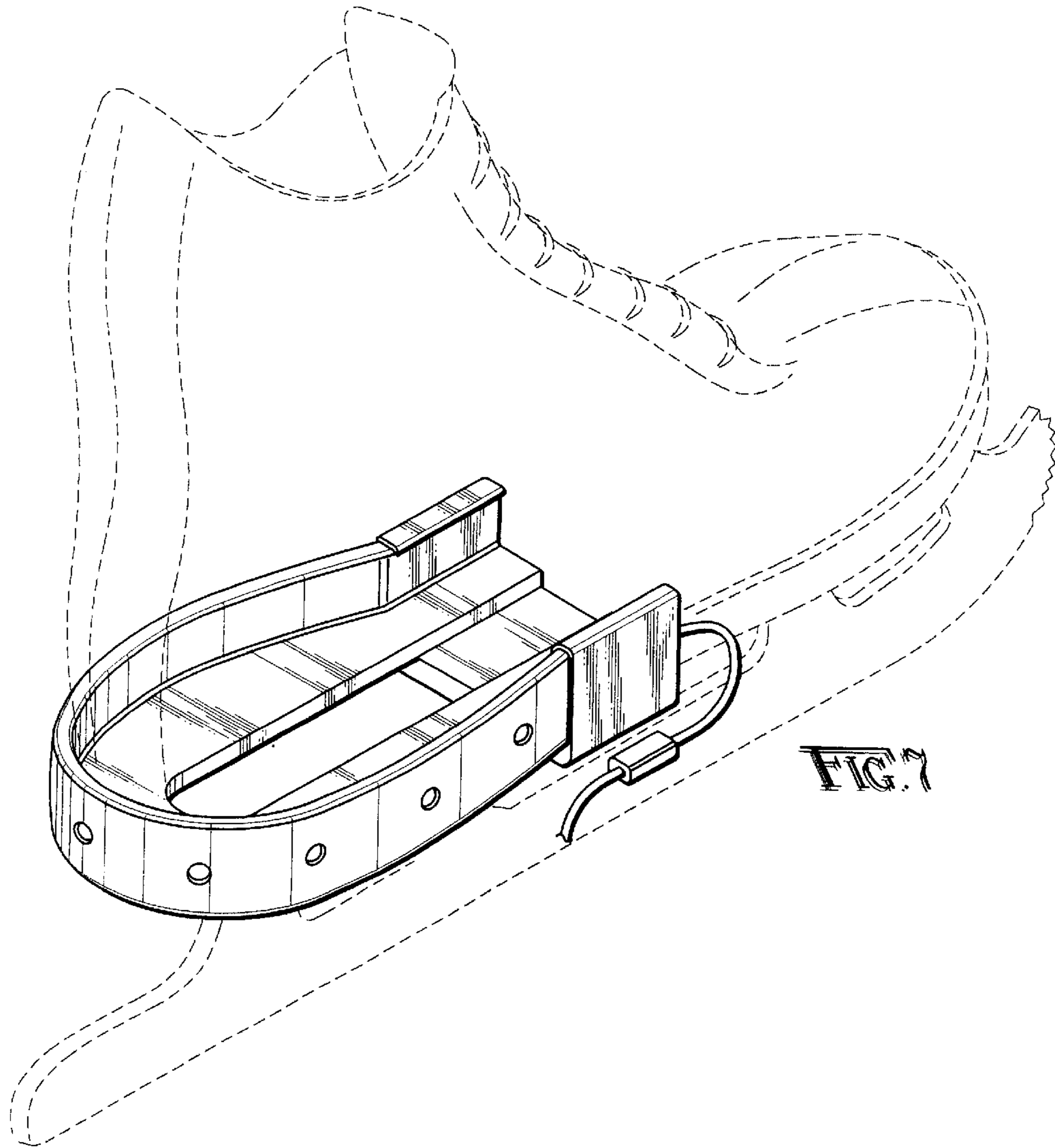


FIG. 7