



US00D535080S

(12) **United States Design Patent**
Bourne

(10) **Patent No.:** **US D535,080 S**

(45) **Date of Patent:** **** Jan. 9, 2007**

(54) **RACK**

(75) **Inventor:** **Ross Gordon Bourne**, Somerton Park (AU)

(73) **Assignee:** **RGB Industries Pty Ltd.** (AU)

(**) **Term:** **14 Years**

(21) **Appl. No.:** **29/215,093**

(22) **Filed:** **Oct. 13, 2004**

(30) **Foreign Application Priority Data**

Apr. 13, 2004 (AU) 1395/2004

(51) **LOC (8) Cl.** **09-08**

(52) **U.S. Cl.** **D34/38**

(58) **Field of Classification Search** D34/28,
D34/38; D6/462, 467, 491, 466; 312/257.1,
312/265.1; 211/11, 85.5, 194, 193; 248/560,
248/346.01, 346.03, 346.04; 108/57.13, 55.1,
108/56.1

See application file for complete search history.

(56) **References Cited**

U.S. PATENT DOCUMENTS

- 2,168,421 A * 8/1939 Reynolds et al. 248/263
- 3,147,860 A * 9/1964 Kean, Sr. et al. 206/448
- 3,620,388 A * 11/1971 Harry Mansson 108/53.1
- D329,372 S * 9/1992 Wilms D8/380
- 5,242,255 A * 9/1993 Gleffe et al. 414/403
- 5,326,204 A * 7/1994 Carlson et al. 410/143
- 5,439,152 A * 8/1995 Campbell 224/405

- D442,759 S * 5/2001 Bowman et al. D34/38
- D446,052 S * 8/2001 Bourne D6/462
- 6,279,763 B1 * 8/2001 Bush 211/195
- 6,357,365 B1 * 3/2002 Higgins et al. 108/55.1
- D487,365 S 3/2004 Bourne
- D517,402 S * 3/2006 Cairns D8/381
- 7,021,461 B1 * 4/2006 Robey 206/335

FOREIGN PATENT DOCUMENTS

- AU 141110 7/2000
- AU 152410 7/2003

* cited by examiner

Primary Examiner—Cynthia E. Ramirez

(74) *Attorney, Agent, or Firm*—Calfee, Halter & Griswold LLP

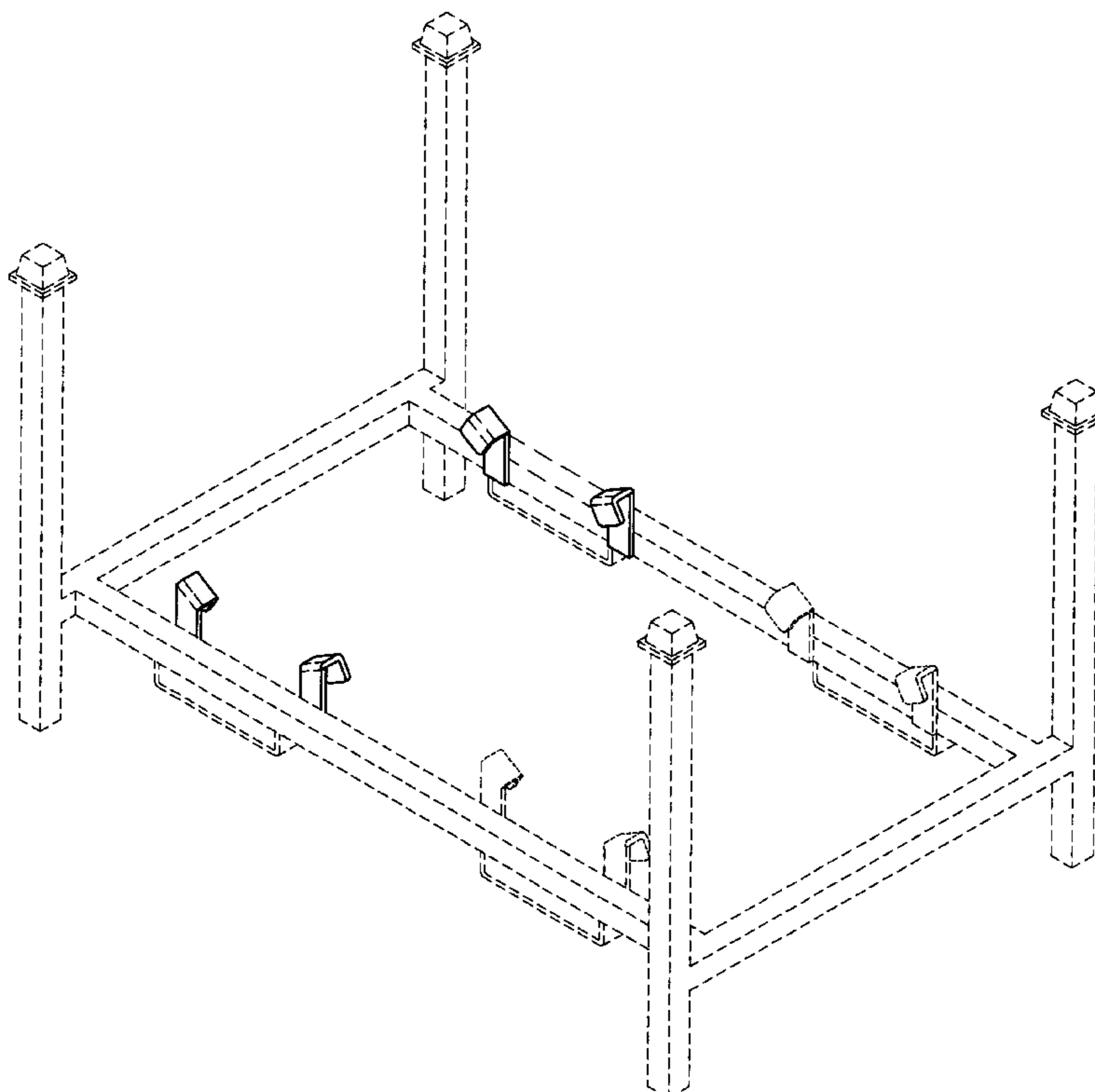
(57) **CLAIM**

The ornamental design for a rack, as shown and described.

DESCRIPTION

FIG. 1 is an isometric view of an embodiment for a rack showing my new design;
 FIG. 2 is a left side view of the embodiment of FIG. 1;
 FIG. 3 is a front view of the embodiment of FIG. 1;
 FIG. 4 is a right side view of the embodiment of FIG. 1;
 FIG. 5 is a rear view of the embodiment of FIG. 1;
 FIG. 6 is a top view of the embodiment of FIG. 1; and,
 FIG. 7 is a bottom view of the embodiment of FIG. 1.
 The portions of the Figures shown in phantom lines are not part of the claimed design but are for illustration only.

1 Claim, 4 Drawing Sheets



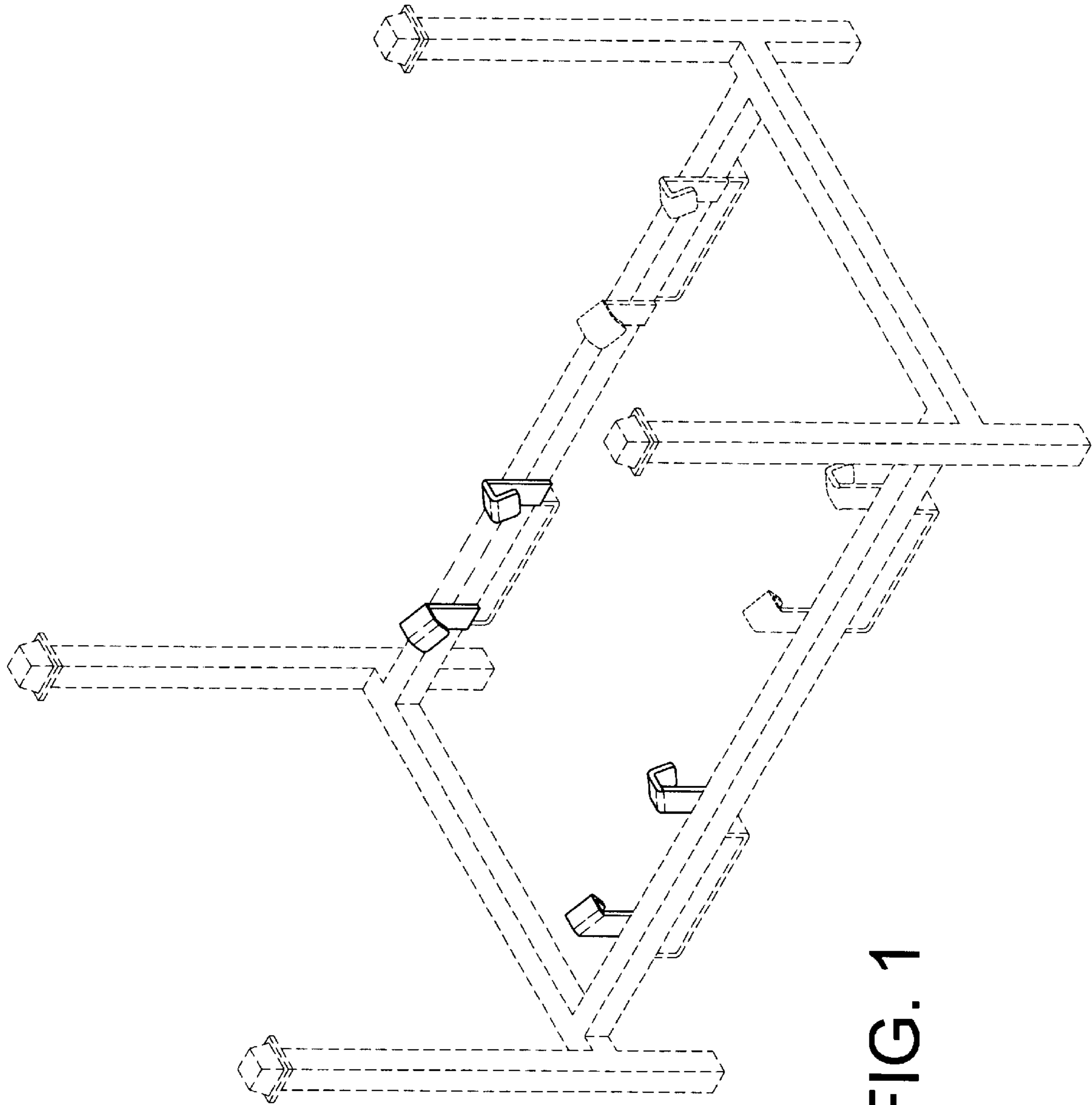
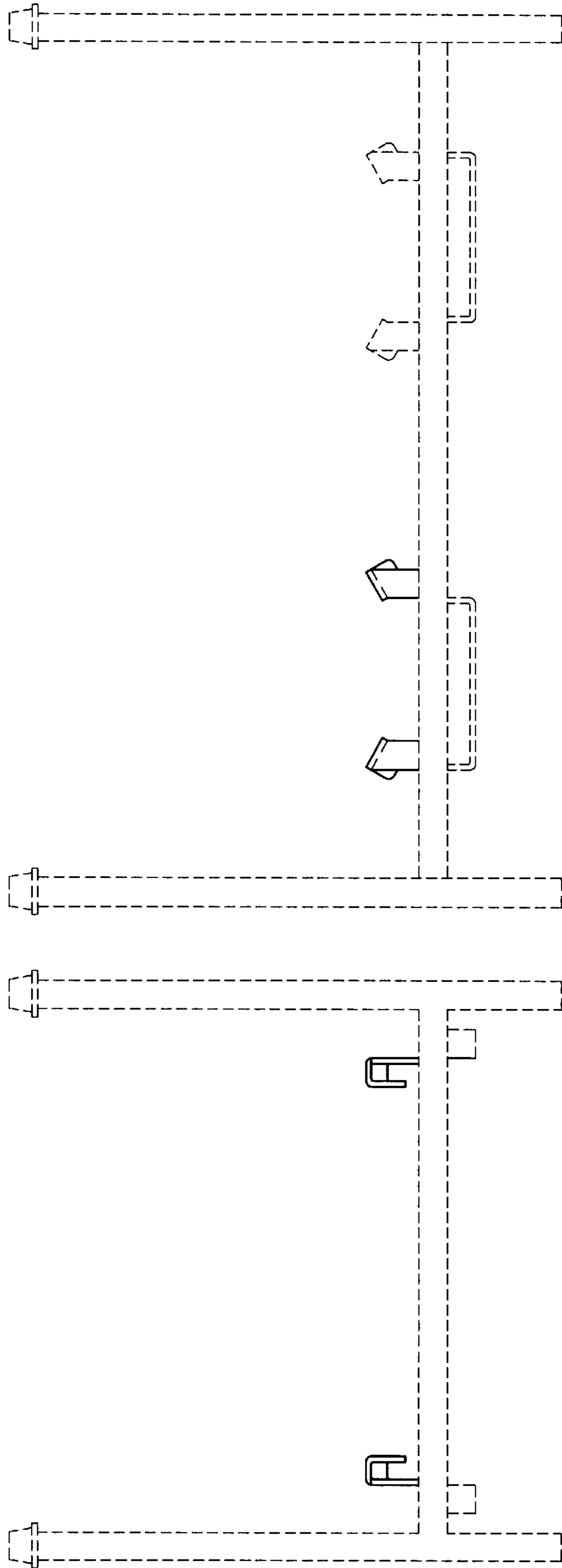


FIG. 1



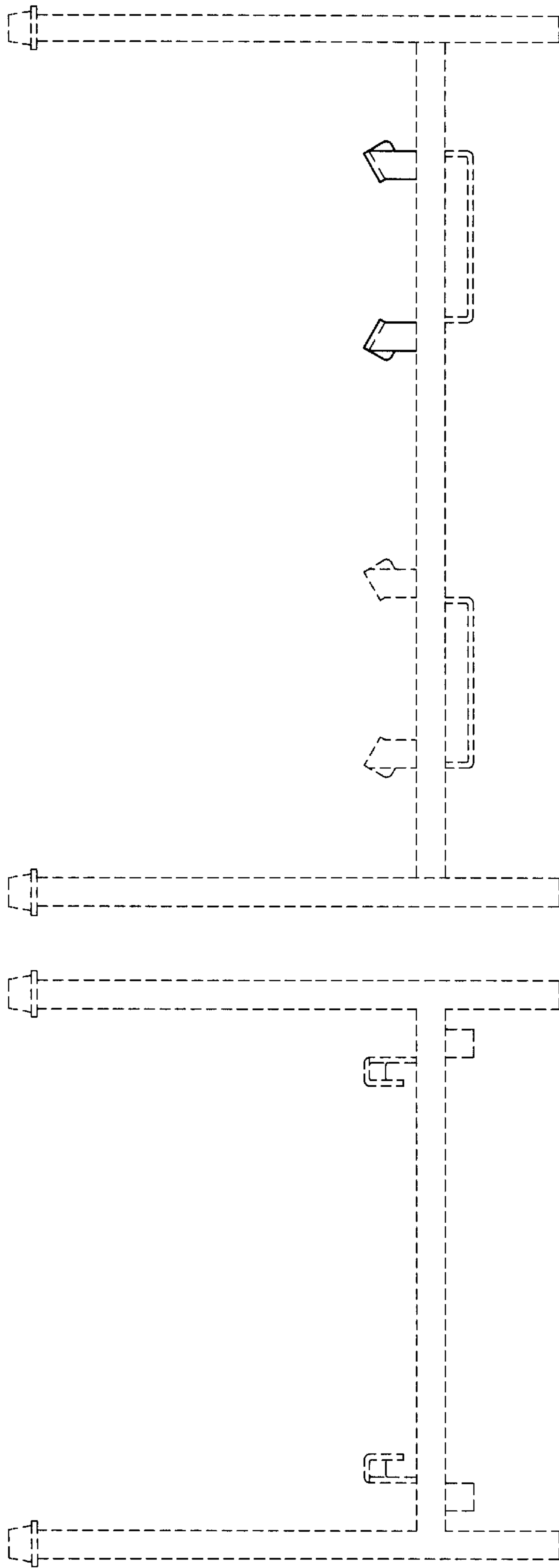


FIG. 5

FIG. 4

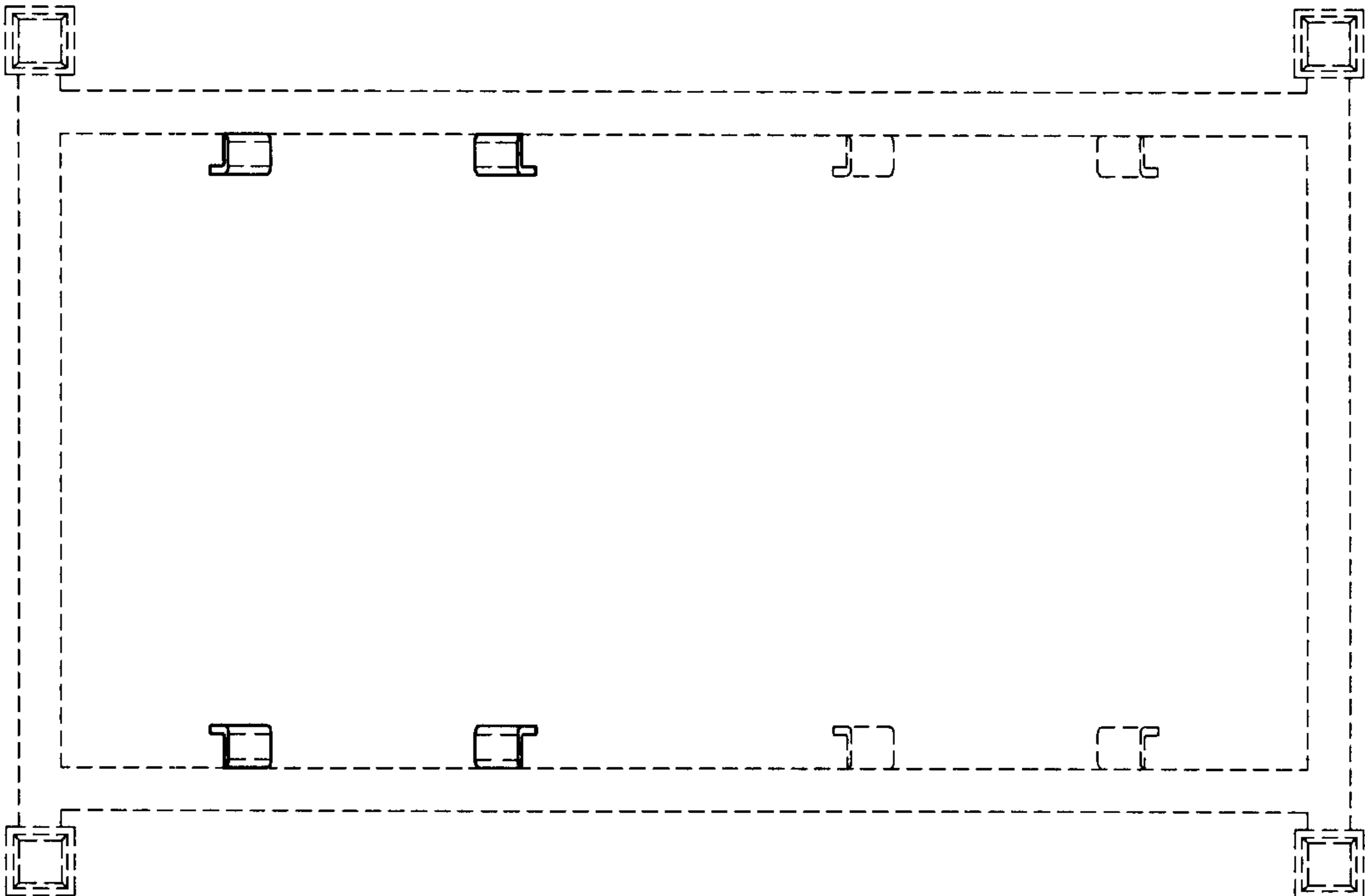


FIG. 6

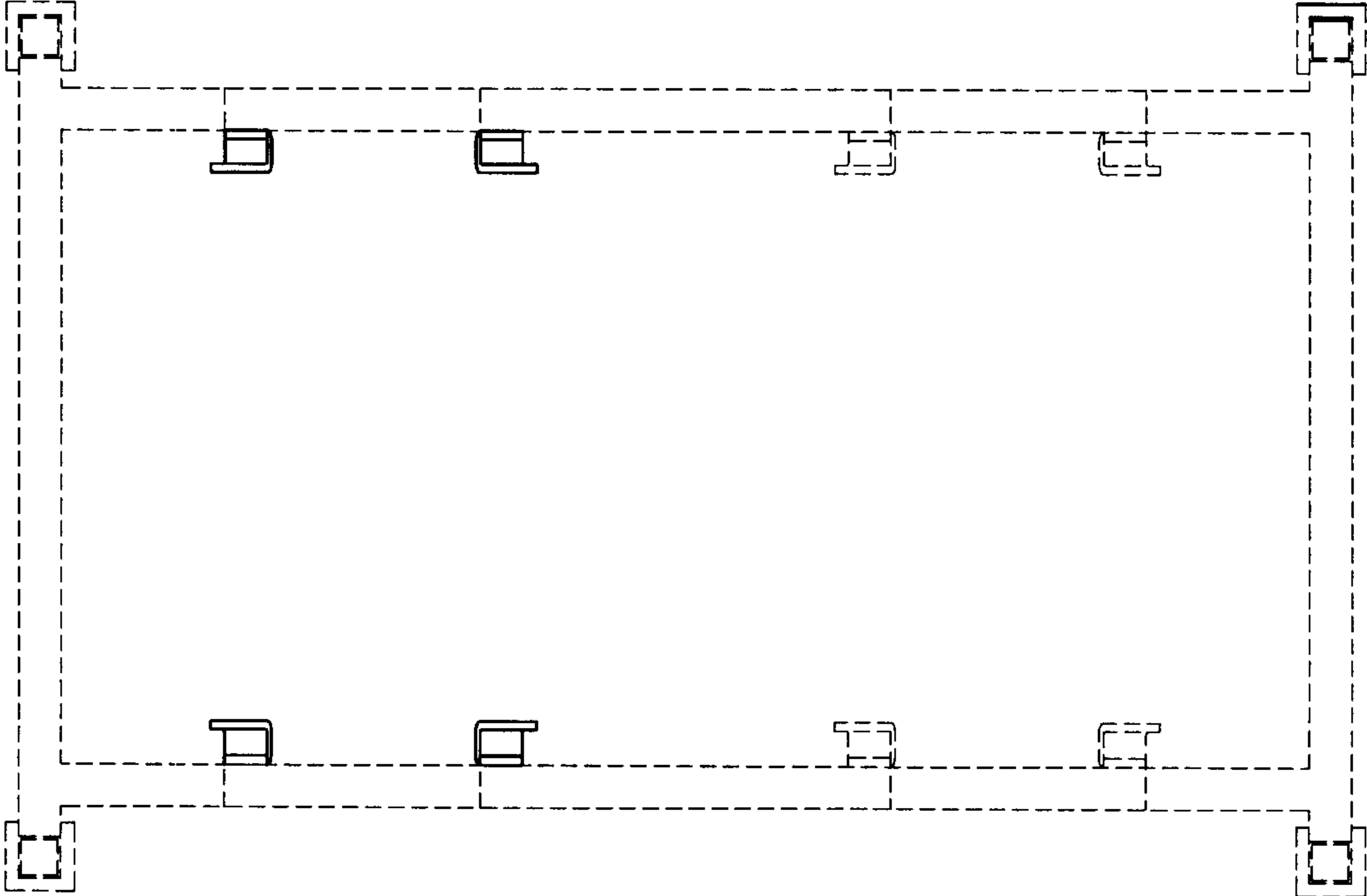


FIG. 7