



US00D535078S

(12) **United States Design Patent**
Jamison

(10) **Patent No.:** **US D535,078 S**

(45) **Date of Patent:** **** *Jan. 9, 2007**

(54) **PORTABLE RAMP WITH PAD AND STABILIZERS**

(76) Inventor: **Donald Lester Jamison**, 26 Deer Rd., Fawn Grove, PA (US) 17321

(*) Notice: This patent is subject to a terminal disclaimer.

(**) Term: **14 Years**

(21) Appl. No.: **29/204,444**

(22) Filed: **Apr. 29, 2004**

(51) **LOC (8) Cl.** **12-05**

(52) **U.S. Cl.** **D34/32**

(58) **Field of Classification Search** D34/28, D34/32, 35; D8/71; 414/537, 228, 229; 254/88, 254/94, 133 A

See application file for complete search history.

(56) **References Cited**

U.S. PATENT DOCUMENTS

4,050,403	A	*	9/1977	Miller	254/88
4,421,300	A	*	12/1983	Lundman	254/88
4,900,217	A	*	2/1990	Nelson	414/537
D314,850	S	*	2/1991	Arnold	D34/32
5,033,146	A	*	7/1991	Fogarty et al.	14/69.5
5,400,846	A	*	3/1995	Bowman	152/213 R
5,544,861	A	*	8/1996	Wisner et al.	254/88

5,570,989	A	*	11/1996	Belanger	414/537
D388,927	S	*	1/1998	Morgan	D34/32
D401,601	S	*	11/1998	Kalpagian	D15/150
6,045,122	A	*	4/2000	Torres	254/88
6,439,543	B1	*	8/2002	Peckham	254/88
6,517,051	B1	*	2/2003	Cavanaugh	254/88
6,564,414	B1	*	5/2003	Jamison	14/69.5
D490,202	S	*	5/2004	Jamison	D34/32
D509,635	S	*	9/2005	Jamison	D34/32

* cited by examiner

Primary Examiner—Cynthia E. Ramirez

(57) **CLAIM**

The ornamental design for a portable ramp with pad and stabilizers, as shown and described.

DESCRIPTION

FIG. 1 is a top plan view of the first and second embodiment of a portable ramp with pad and stabilizers showing my new design;

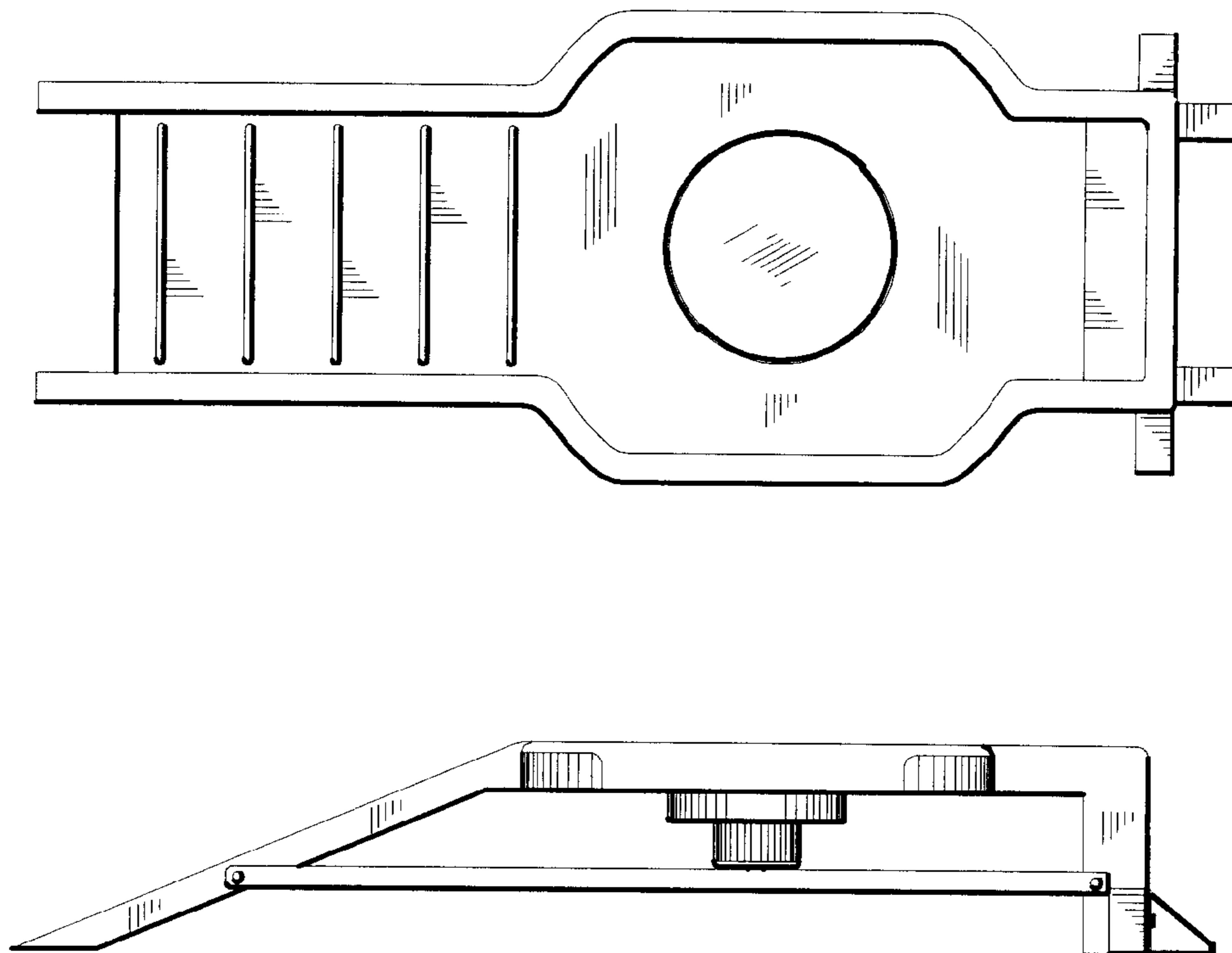
FIG. 2 is a right side elevational view of the first embodiment, the left being a mirror image thereof;

FIG. 3 is a right side elevational view of the second embodiment, the left being a mirror image thereof;

FIG. 4 is a front elevational view of the first and second embodiment; and,

FIG. 5 is a rear elevational view of the first and second embodiment.

1 Claim, 2 Drawing Sheets



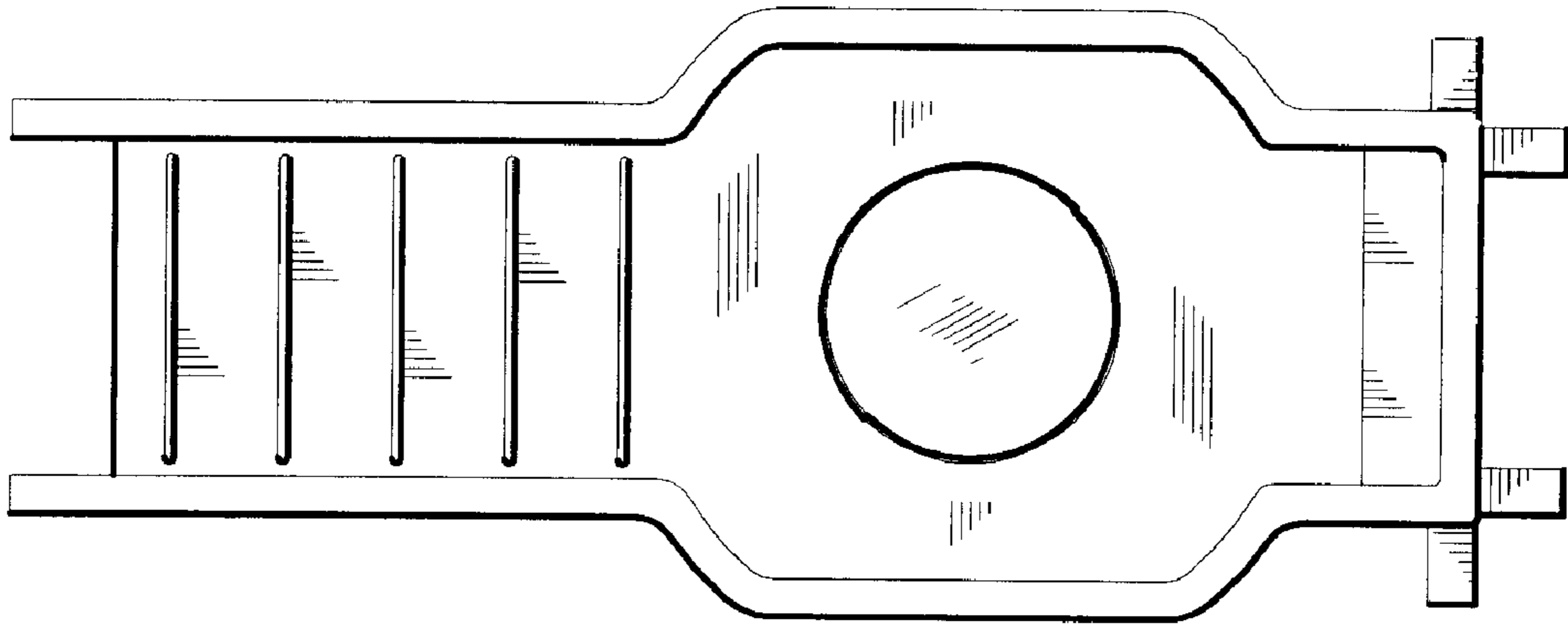


Fig. 1

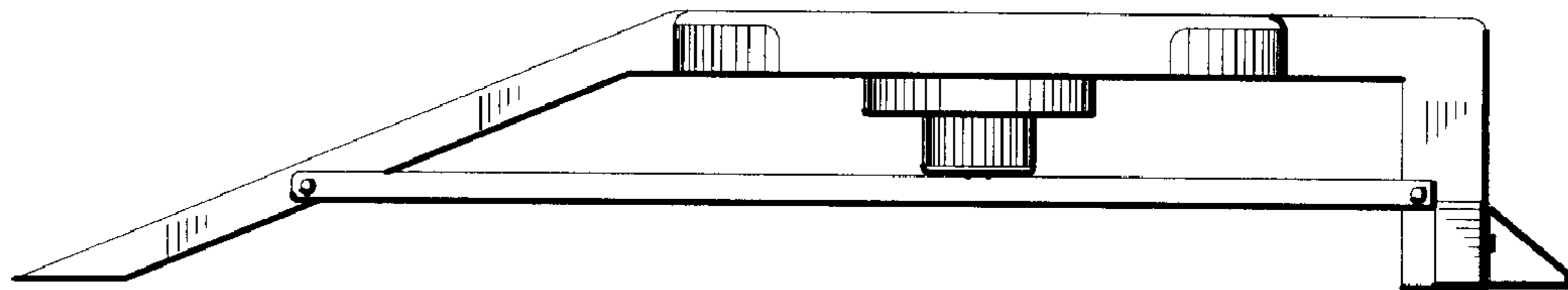


Fig. 2

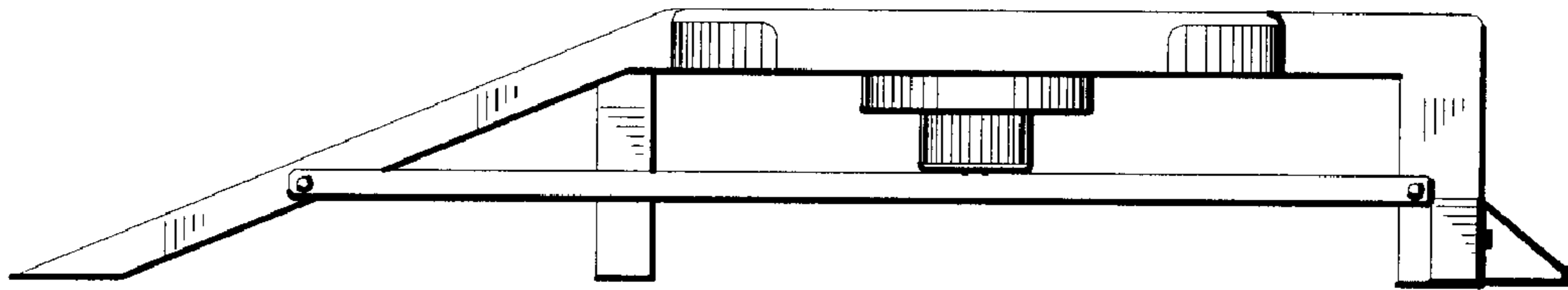


Fig. 3

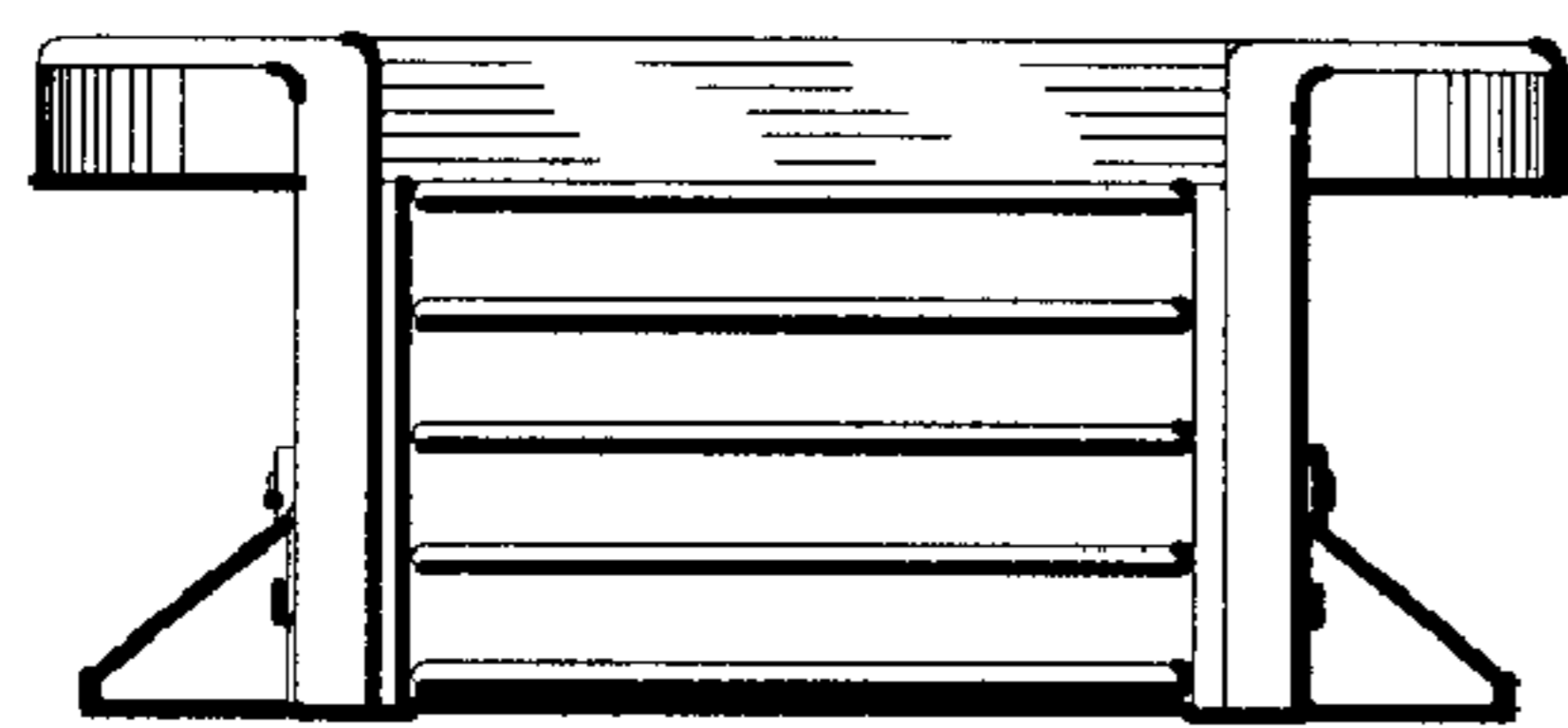


Fig. 4

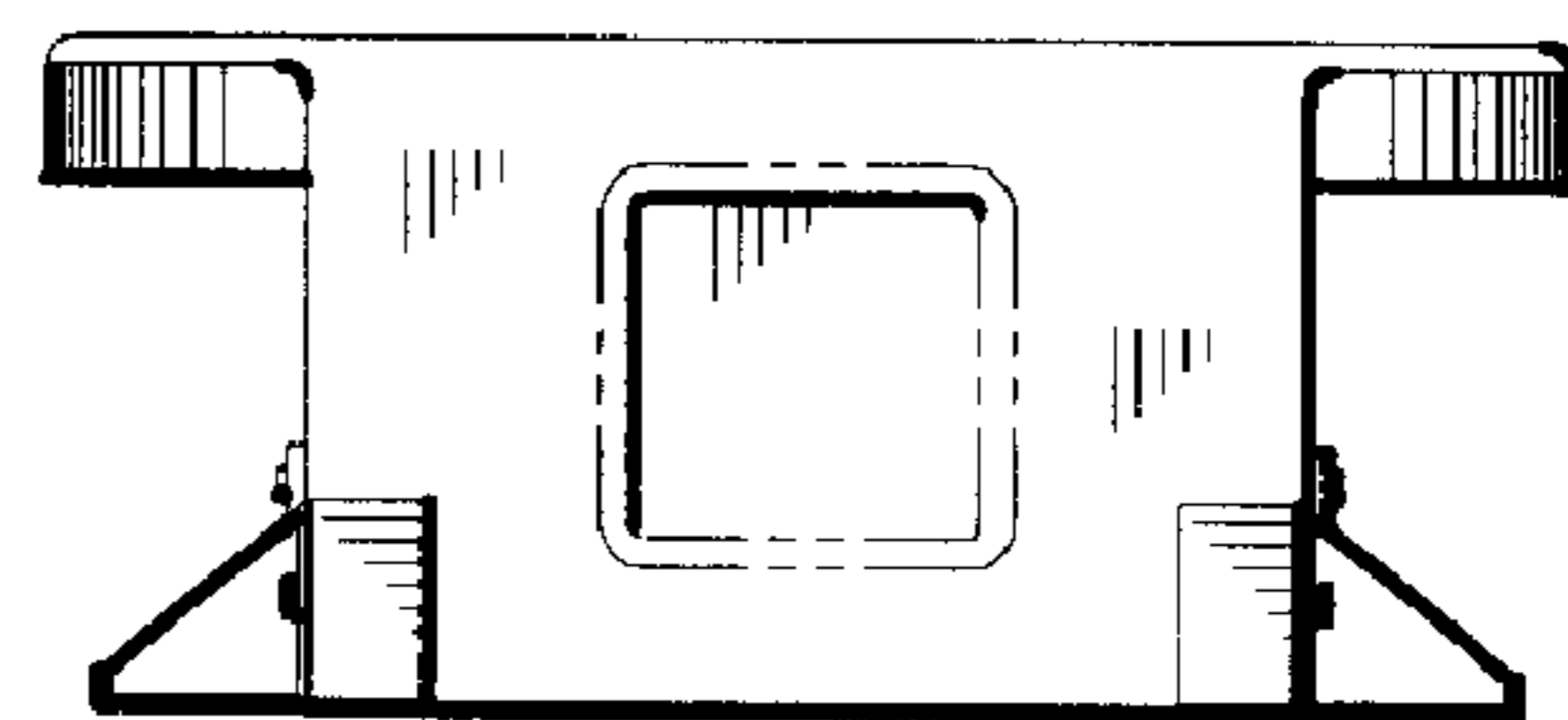


Fig. 5