



US00D535076S

(12) **United States Design Patent**
Simard

(10) **Patent No.:** **US D535,076 S**

(45) **Date of Patent:** **** Jan. 9, 2007**

(54) **WHEELED HOLDER FOR CARPET
CLEANING NOZZLE**

(76) **Inventor:** **Real Simard**, 1160, St. Edmond,
Normandin, Quebec (CA), G8M 4M7

(**) **Term:** **14 Years**

(21) **Appl. No.:** **29/208,261**

(22) **Filed:** **Jun. 28, 2004**

(51) **LOC (8) Cl.** **12-02**

(52) **U.S. Cl.** **D34/24**

(58) **Field of Classification Search** D34/12-27,
D34/1; 280/47.131, 47.17-47.19, 47.24,
280/47.28, 47.27, 47.34, 47.2, 47.29, 47.315,
280/40, 200, 641, 652, 651, 655, 655.1, 646,
280/79.11, 79.2, 0.5; 180/19.1-19.3; 248/129;
414/490, 444; D15/13; D3/201

See application file for complete search history.

(56) **References Cited**

U.S. PATENT DOCUMENTS

43,283 A * 6/1864 Mohns 182/21

2,704,165 A * 3/1955 Hoover 414/456
D205,471 S * 8/1966 Stein D15/122
D327,076 S * 6/1992 Chow D15/13
D402,669 S * 12/1998 Chapman et al. D15/13
D424,770 S * 5/2000 Watkins et al. D34/12

* cited by examiner

Primary Examiner—Freda Nunn

Assistant Examiner—Kevin K. Rudzinski

(57) **CLAIM**

The ornamental design for a wheeled holder for carpet cleaning nozzle, as shown and described.

DESCRIPTION

FIG. 1 is a perspective view of the wheeled holder for carpet nozzle with the nozzle shown in broken lines.

FIG. 2 is a top view.

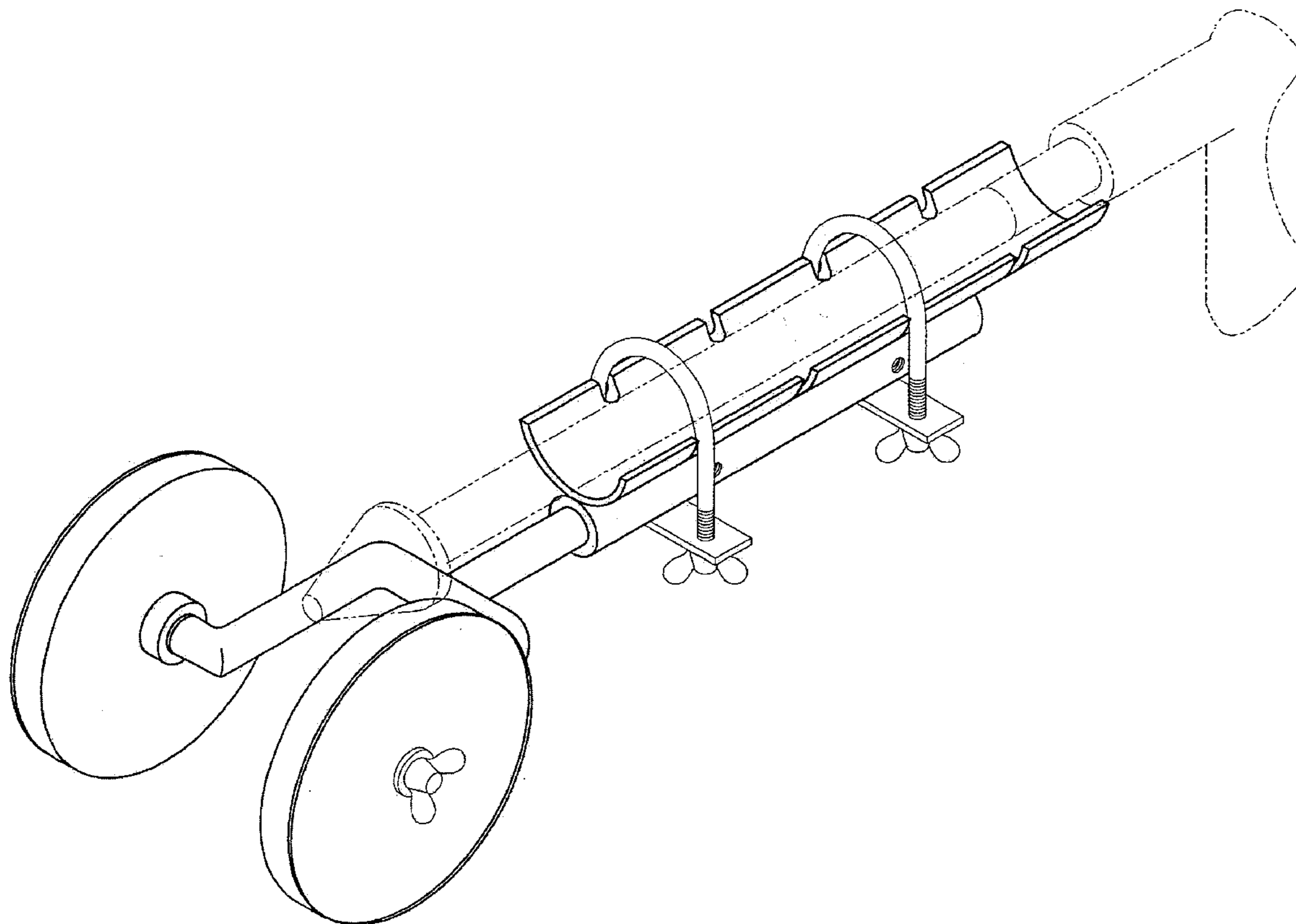
FIG. 3 is a side view, the other side being a mirror image.

FIG. 4 is a bottom view; and,

FIG. 5 is a front view.

The broken line showing of the nozzle is for illustrative purposes only and forms no part of the claimed design.

1 Claim, 2 Drawing Sheets



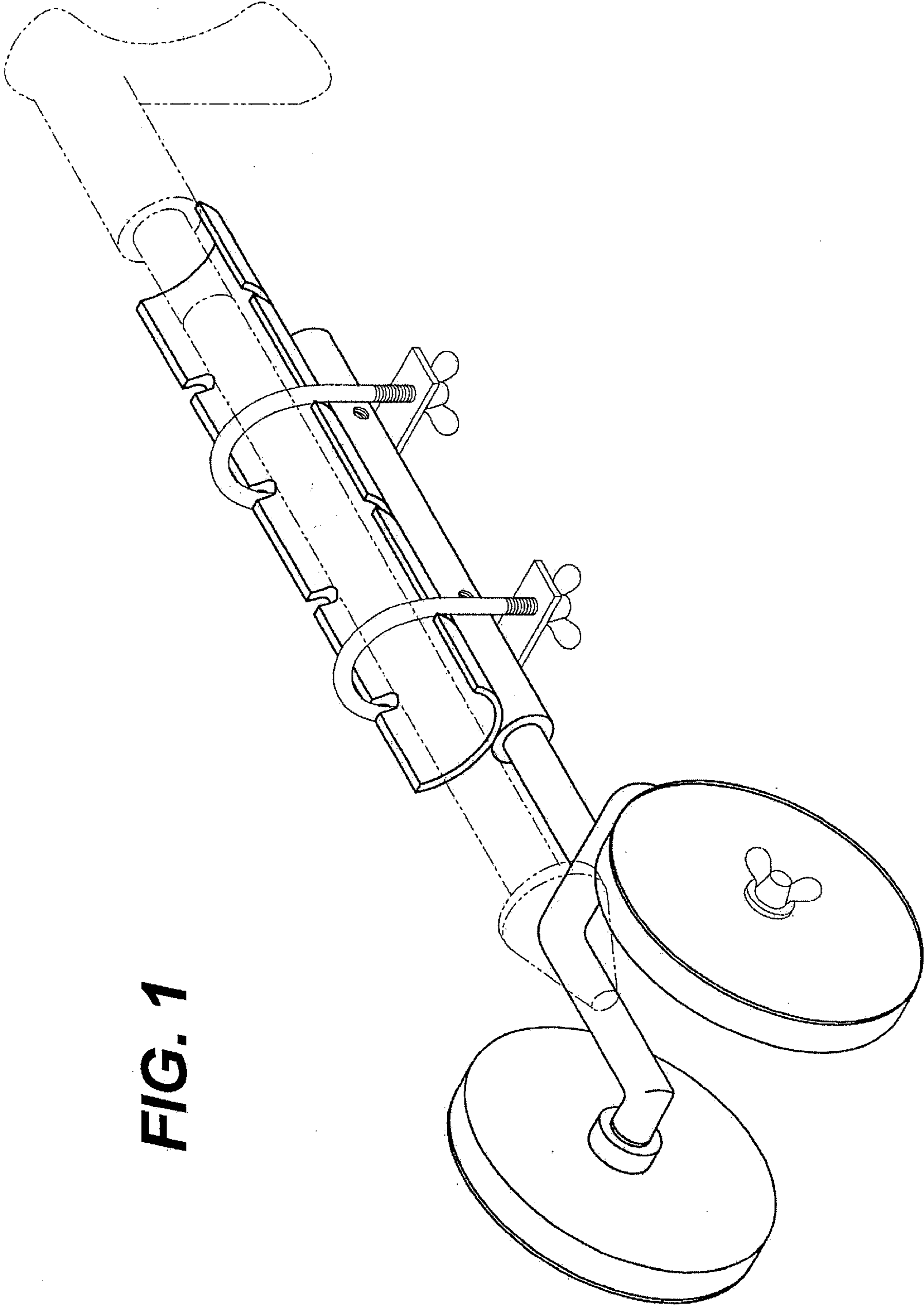


FIG. 1

FIG. 2

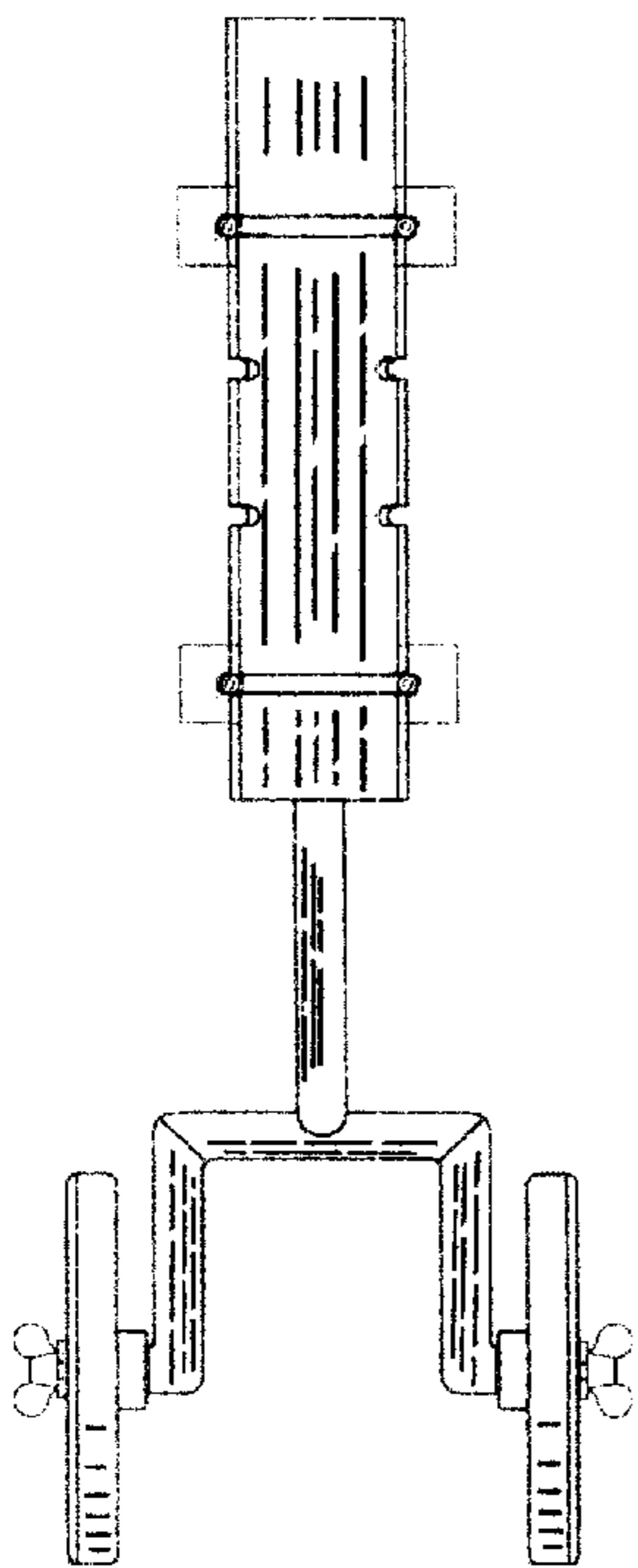


FIG. 3

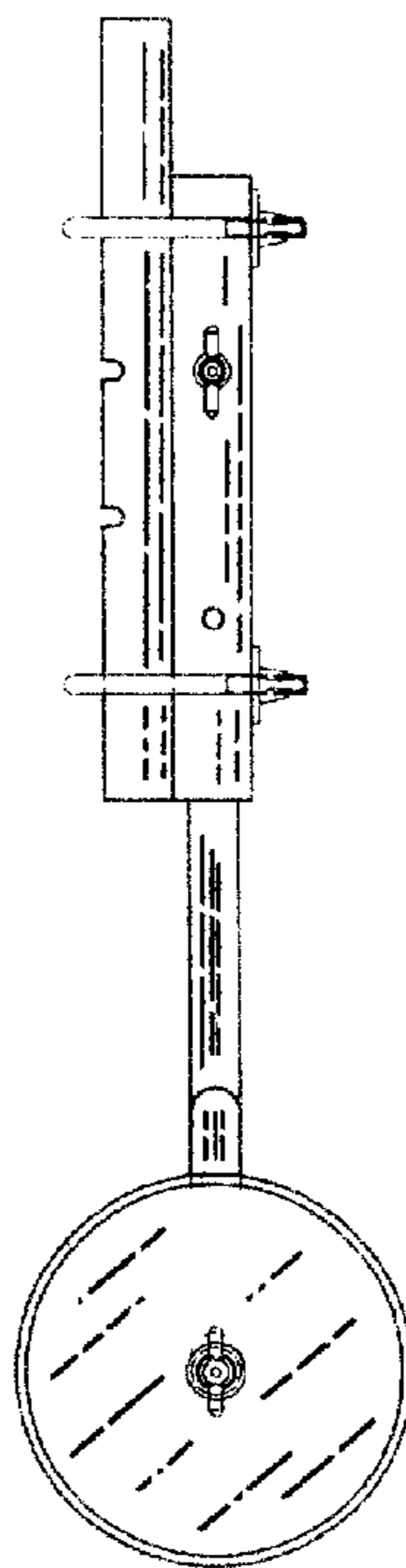


FIG. 4

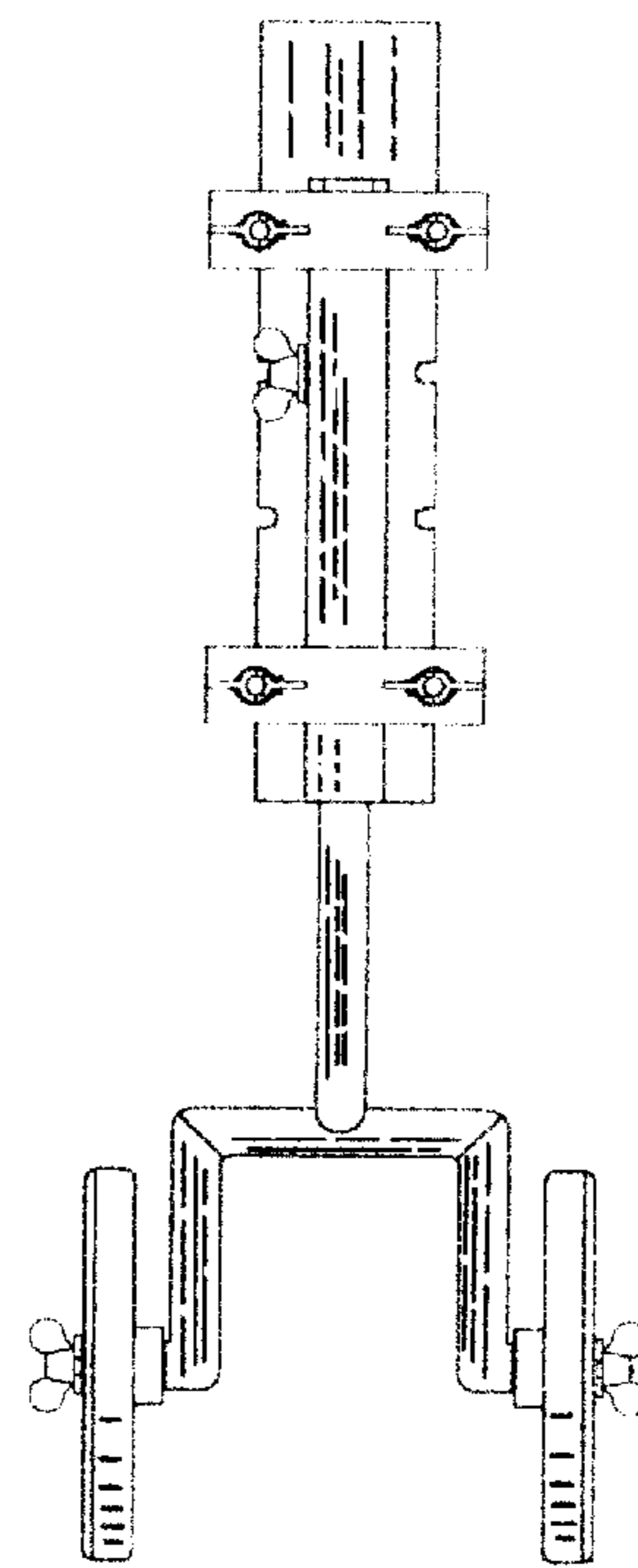


FIG. 5

