



US00D535071S

(12) **United States Design Patent**
Choi

(10) **Patent No.:** **US D535,071 S**

(45) **Date of Patent:** **** Jan. 9, 2007**

(54) **VACUUM CLEANER**

(75) **Inventor:** **Kyu Kwan Choi, Gyeonggi-do (KR)**

(73) **Assignee:** **LG Electronics Inc., Seoul (KR)**

(**) **Term:** **14 Years**

(21) **Appl. No.:** **29/236,142**

(22) **Filed:** **Aug. 12, 2005**

(30) **Foreign Application Priority Data**

Feb. 15, 2005 (KR) 30-2005-0004566

(51) **LOC (8) Cl.** **15-05**

(52) **U.S. Cl.** **D32/22**

(58) **Field of Classification Search** D32/22,
D32/31; 15/222, 320-322, 326, 329, 347,
15/350, 352-354, 361, 410, 412, 415.1; 55/337,
55/345, 459.1, 429, DIG. 3

See application file for complete search history.

(56) **References Cited**

U.S. PATENT DOCUMENTS

D435,945 S * 1/2001 Ikeno et al. D32/22

D455,530 S * 4/2002 Fujii D32/22

D462,813 S * 9/2002 Nakano et al. D32/22

D463,078 S * 9/2002 Harada D32/22

D510,465 S * 10/2005 Takahashi et al. D32/22

D516,760 S * 3/2006 Choi D32/22

* cited by examiner

Primary Examiner—Ruth McInroy

(74) *Attorney, Agent, or Firm*—Birch, Stewart, Kolasch & Birch, LLP

(57) **CLAIM**

The ornamental design for a vacuum cleaner, as shown and described.

DESCRIPTION

FIG. 1 is a perspective view of a vacuum cleaner showing my new design;

FIG. 2 is a front view thereof;

FIG. 3 is a rear view thereof;

FIG. 4 is a left side view thereof;

FIG. 5 is a right side view thereof;

FIG. 6 is a top plan view thereof; and,

FIG. 7 is a bottom plan view thereof.

1 Claim, 6 Drawing Sheets

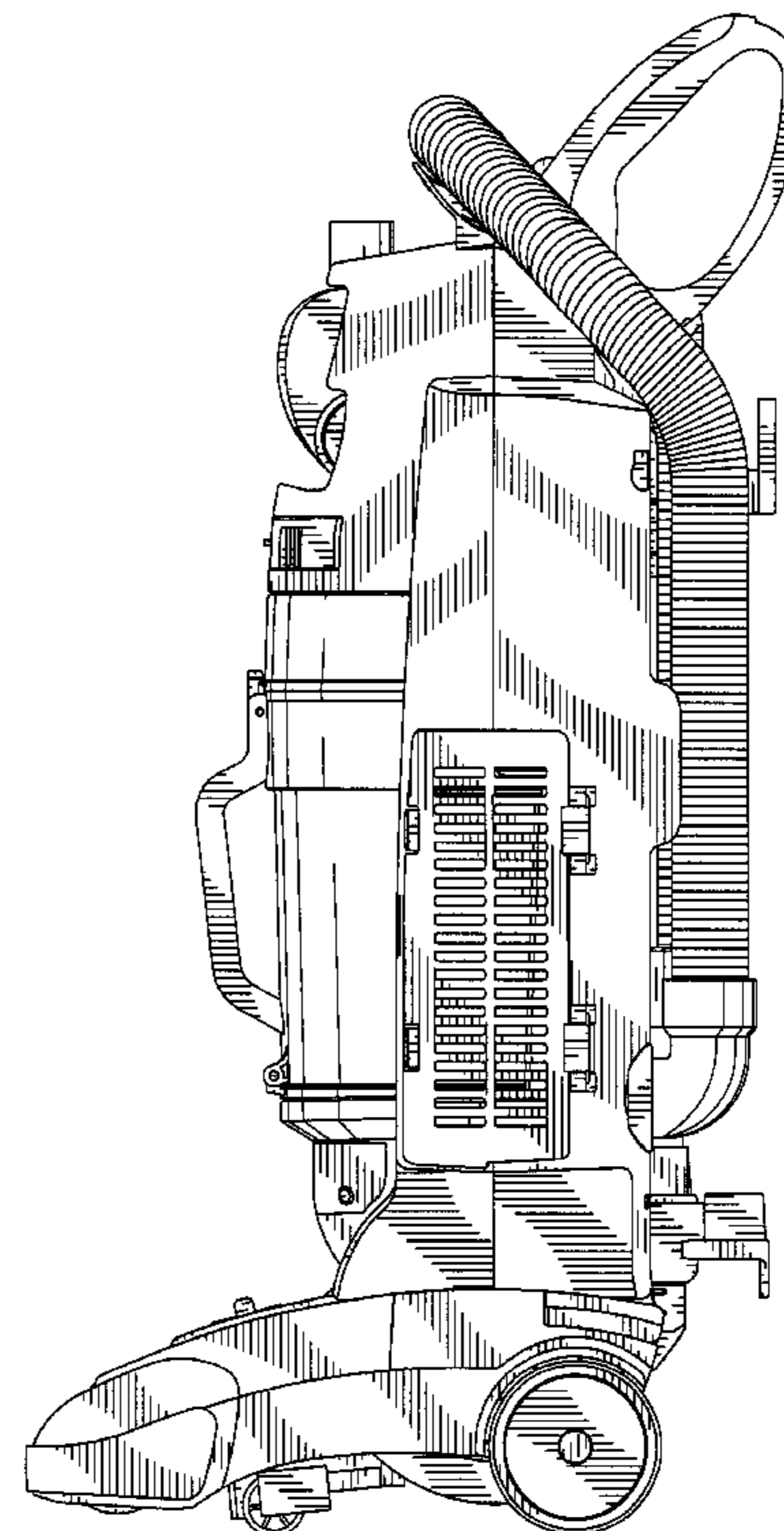
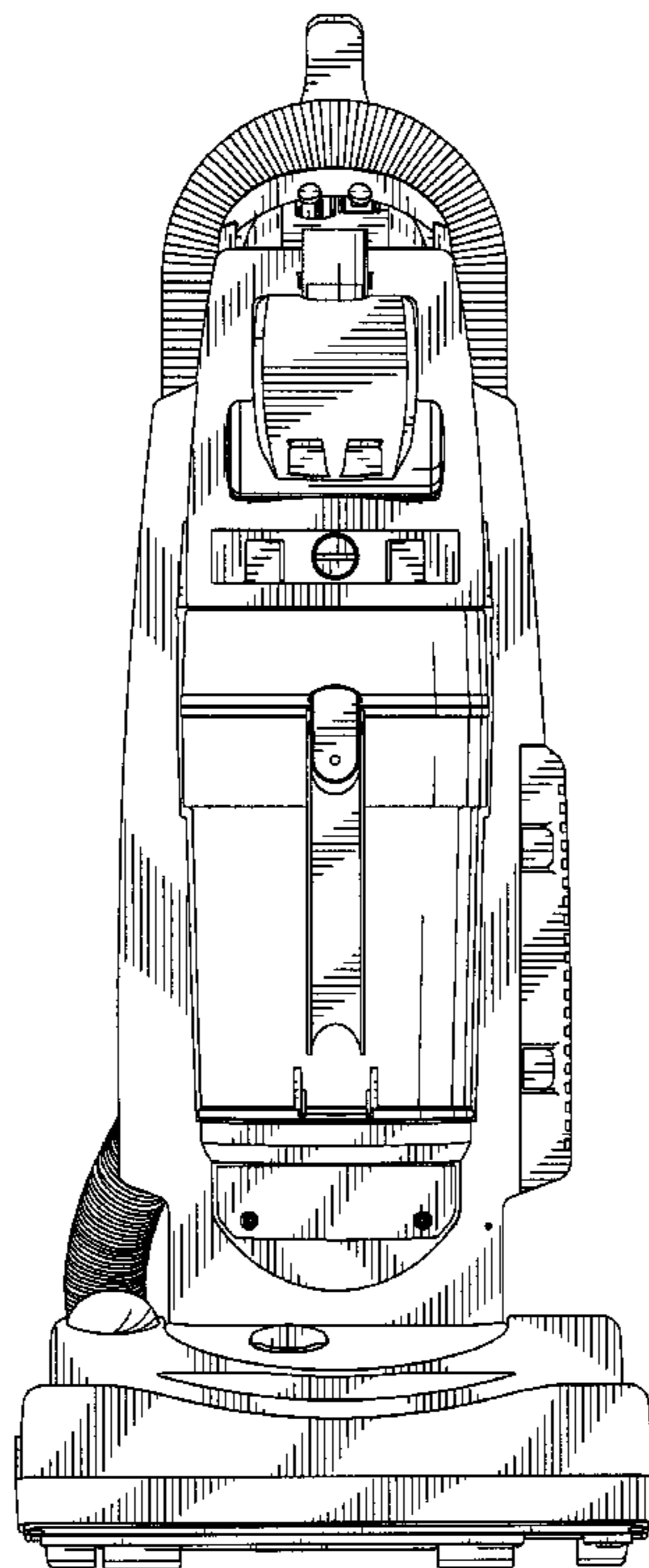
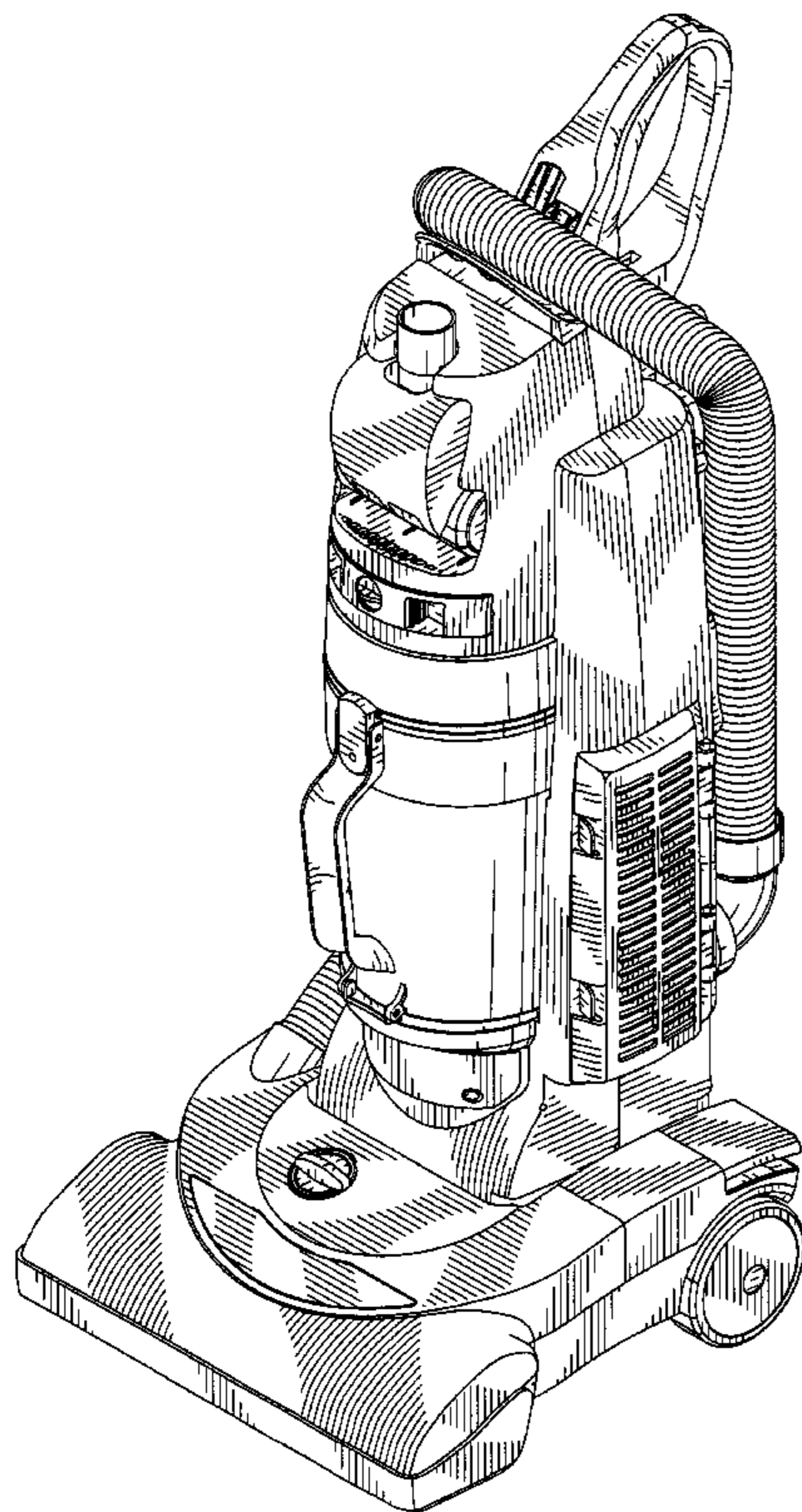


FIG. 1

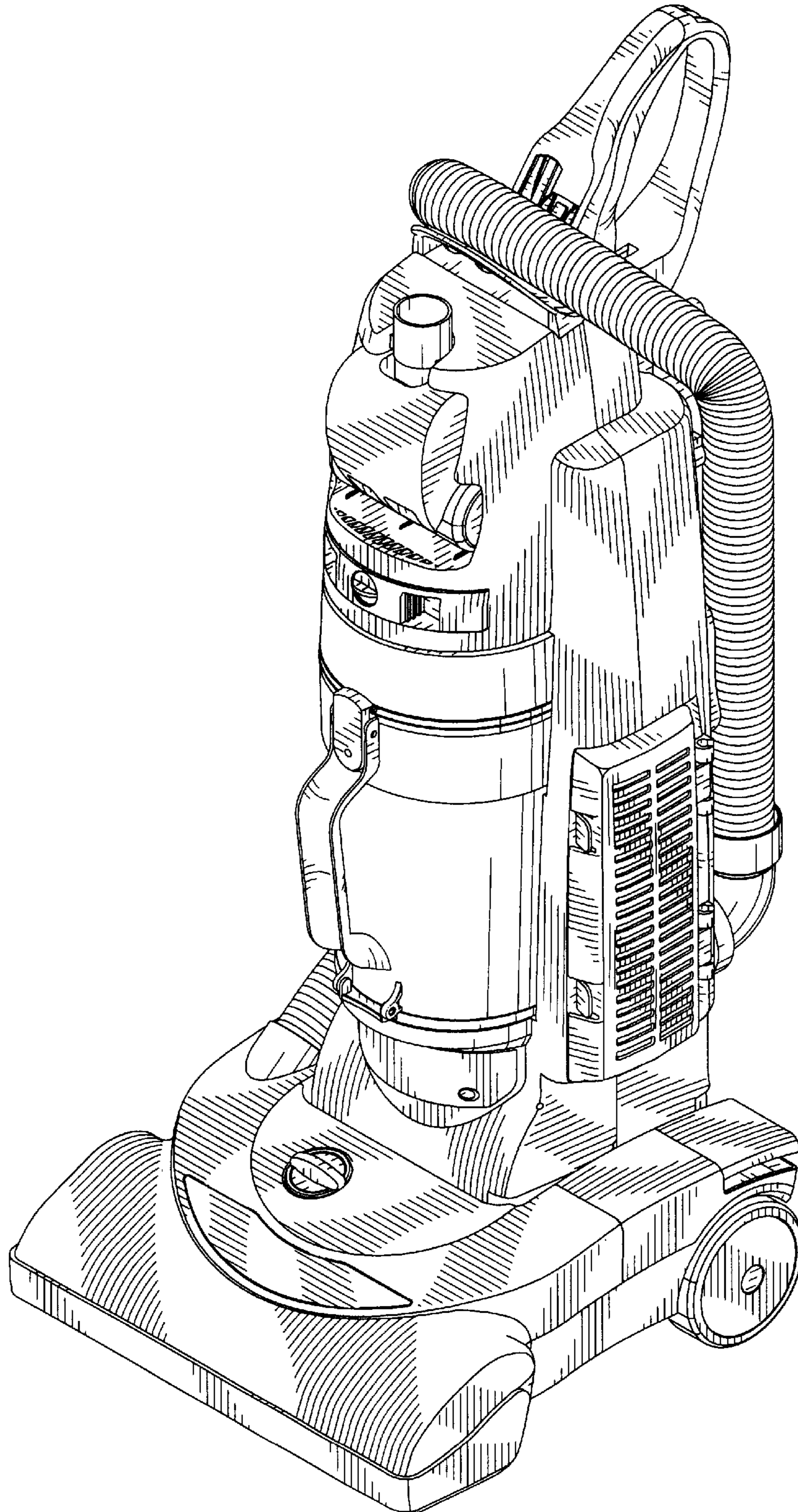


FIG. 2

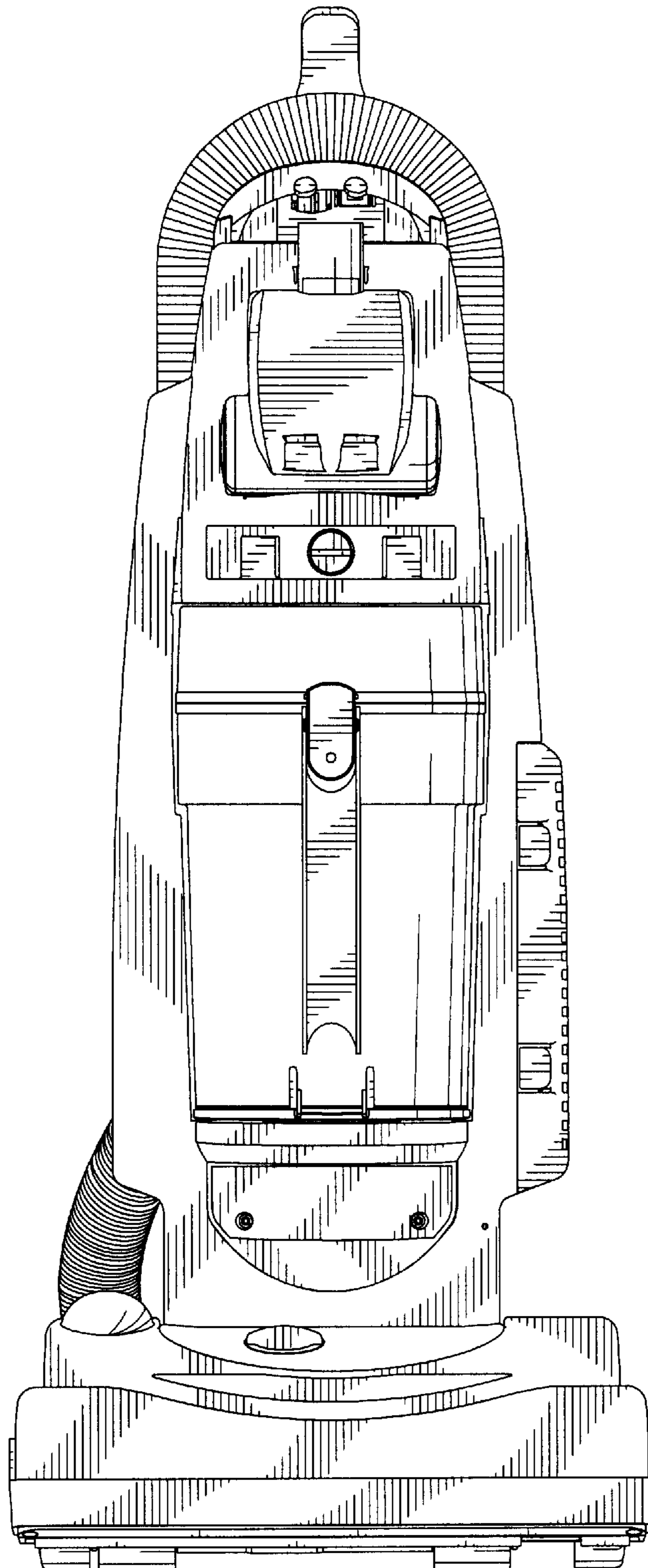


FIG. 3

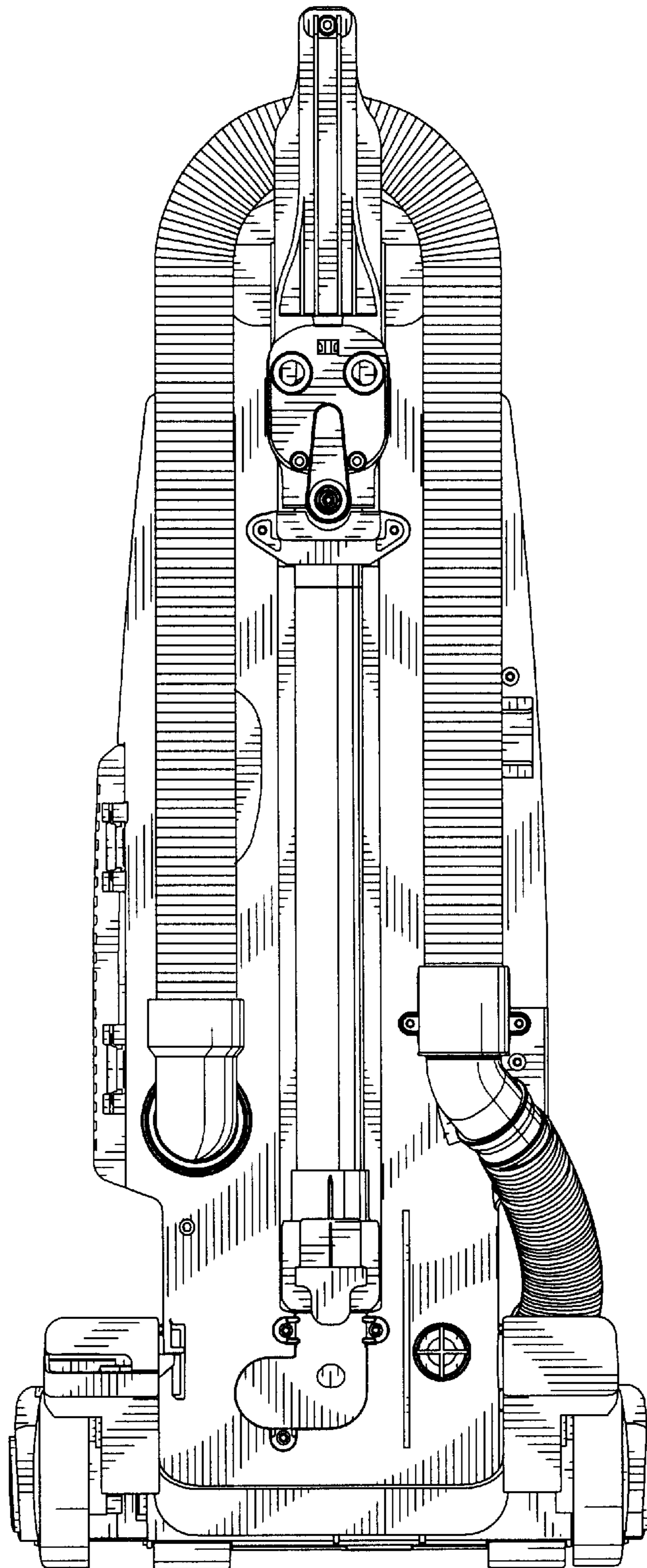


FIG. 4

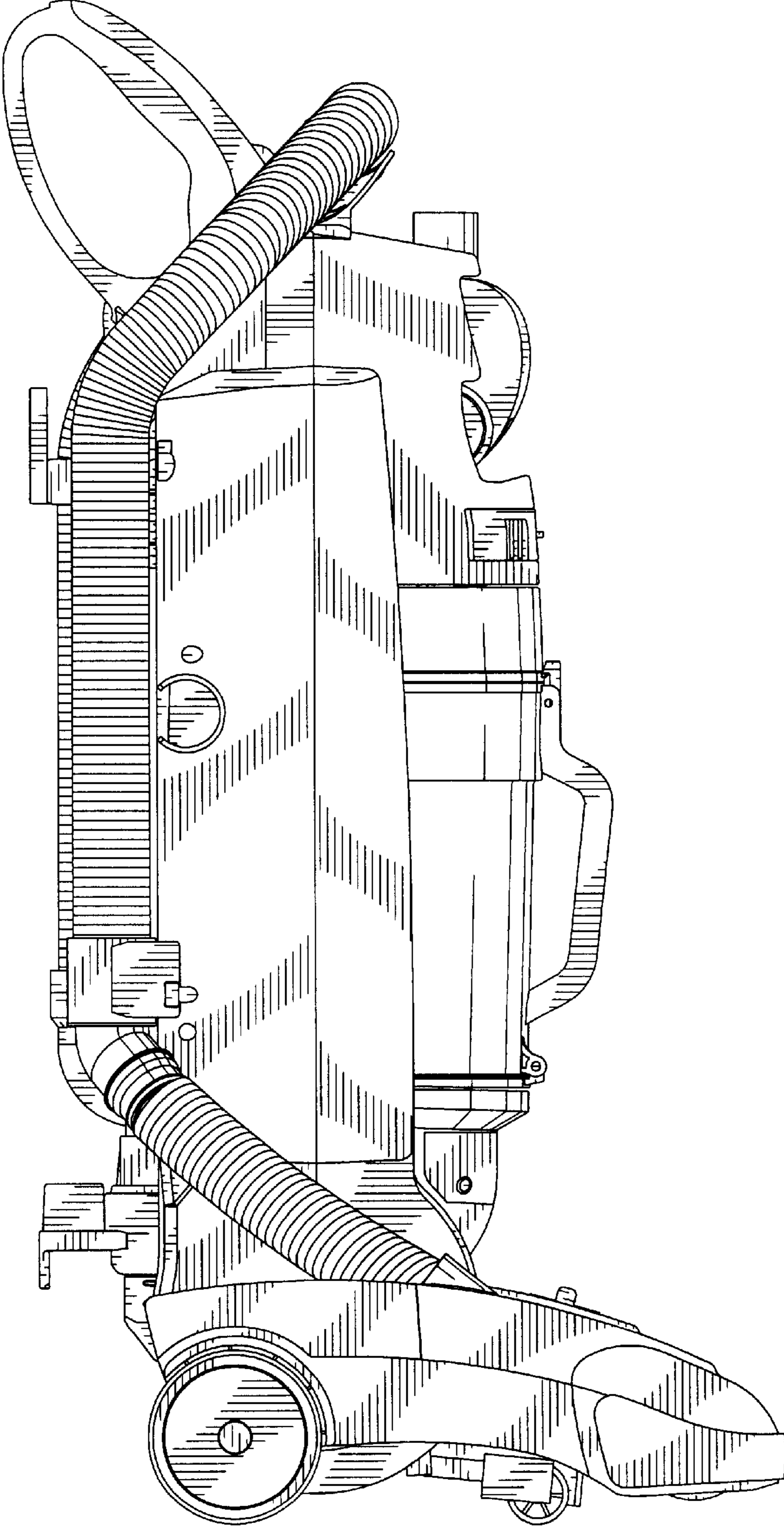


FIG. 5

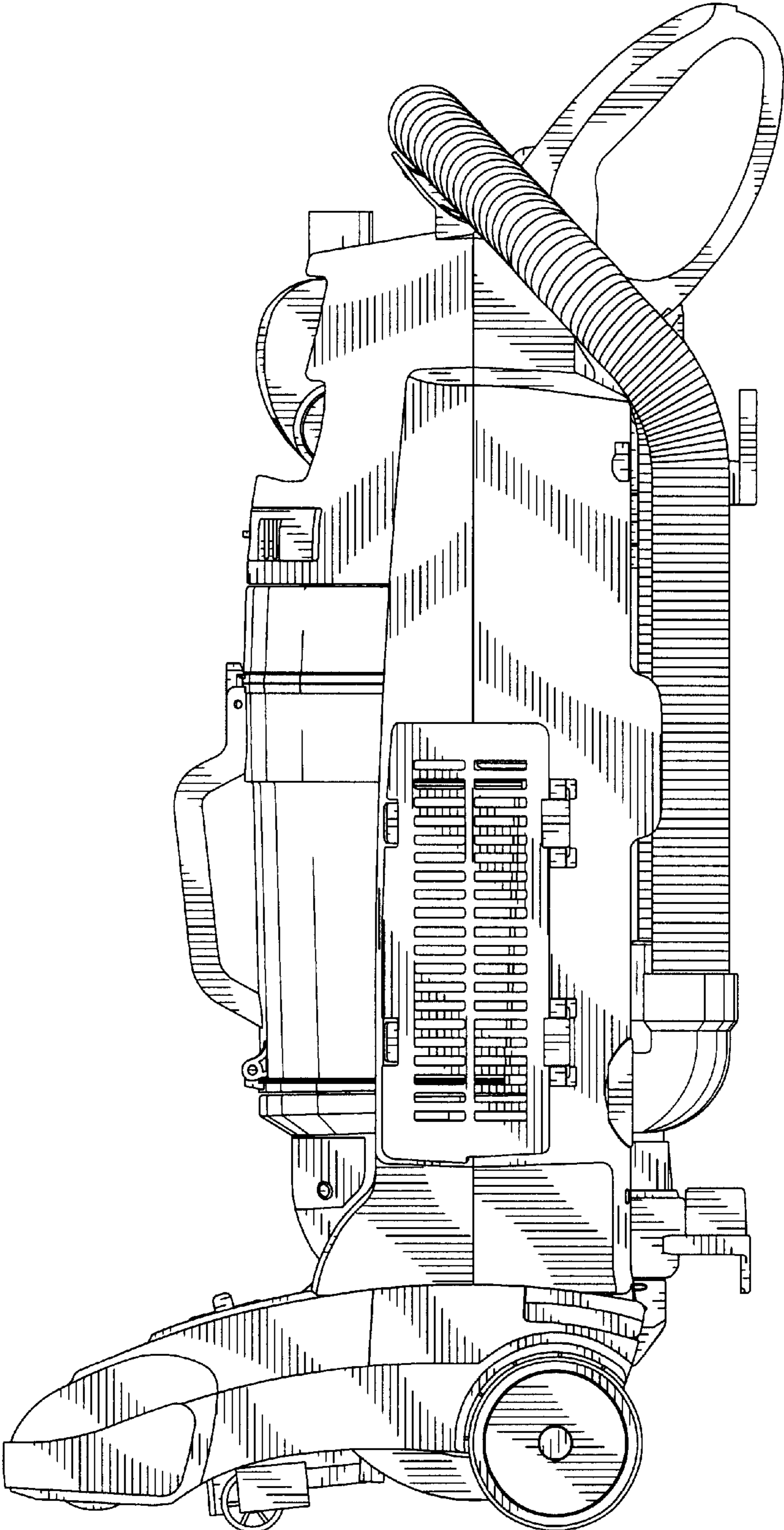


FIG. 6

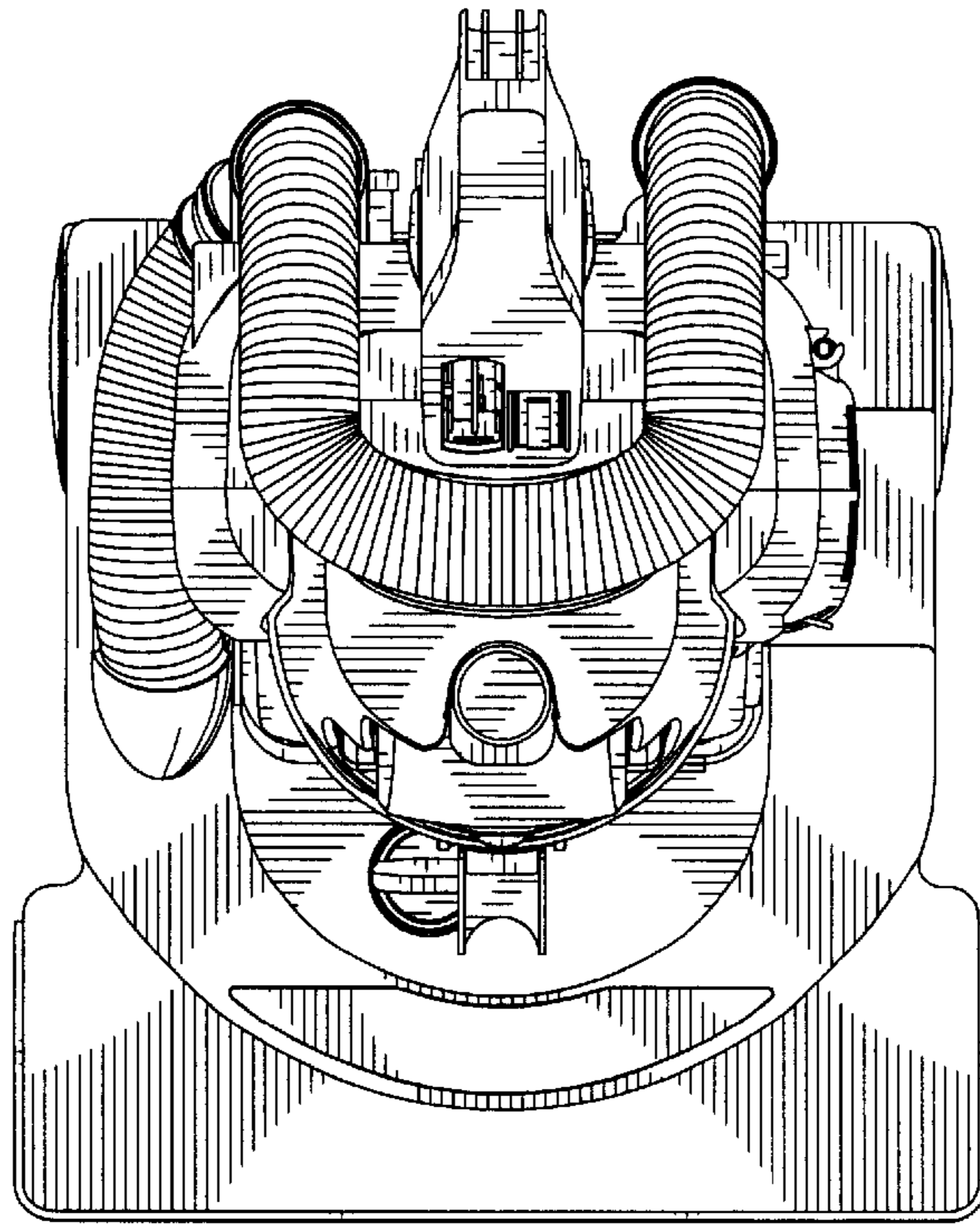


FIG. 7

