

US00D535068S

(12) **United States Design Patent**  
**Renforth**

(10) **Patent No.:** **US D535,068 S**

(45) **Date of Patent:** **\*\* Jan. 9, 2007**

(54) **SPHERICAL PET TOY**

(75) Inventor: **Jack W. Renforth**, Aurora, CO (US)

(73) Assignee: **Aspen Pet Products, Inc.**, Denver, CO (US)

(\*\*) Term: **14 Years**

(21) Appl. No.: **29/213,145**

(22) Filed: **Sep. 13, 2004**

(51) **LOC (8) Cl.** ..... **30-99**

(52) **U.S. Cl.** ..... **D30/160**

(58) **Field of Classification Search** ..... D30/160,  
D30/199; 119/701-711; D21/406, 408, 490,  
D21/498, 576, 599, 656  
See application file for complete search history.

(56) **References Cited**

**U.S. PATENT DOCUMENTS**

D373,662 S	*	9/1996	Box	.....	D30/160
D380,879 S	*	7/1997	Hernandez	.....	D30/160
D411,042 S	*	6/1999	Willinger	.....	D30/160
D412,767 S	*	8/1999	Bemis et al.	.....	D30/160
D414,903 S	*	10/1999	Baiera et al.	.....	D30/160
D456,959 S	*	5/2002	Simon	.....	D30/160
6,609,944 B1	*	8/2003	Viola	.....	119/707

D512,470 S \* 12/2005 Sikio ..... D21/656  
2004/0237905 A1 \* 12/2004 Tsengas ..... 119/711

\* cited by examiner

*Primary Examiner*—Louis S. Zarfes

*Assistant Examiner*—Anhdao Doan

(74) *Attorney, Agent, or Firm*—Dorsey & Whitney LLP

(57) **CLAIM**

I claim the ornamental design for a spherical pet toy, as shown and described.

**DESCRIPTION**

FIG. 1 is a perspective view showing the front, top, and left sides of a spherical pet toy;

FIG. 2 is a front plan view of the spherical pet toy depicted in FIG. 1;

FIG. 3 is a rear plan view of the spherical pet toy depicted in FIG. 1;

FIG. 4 is a left-side view of the spherical pet toy depicted in FIG. 1;

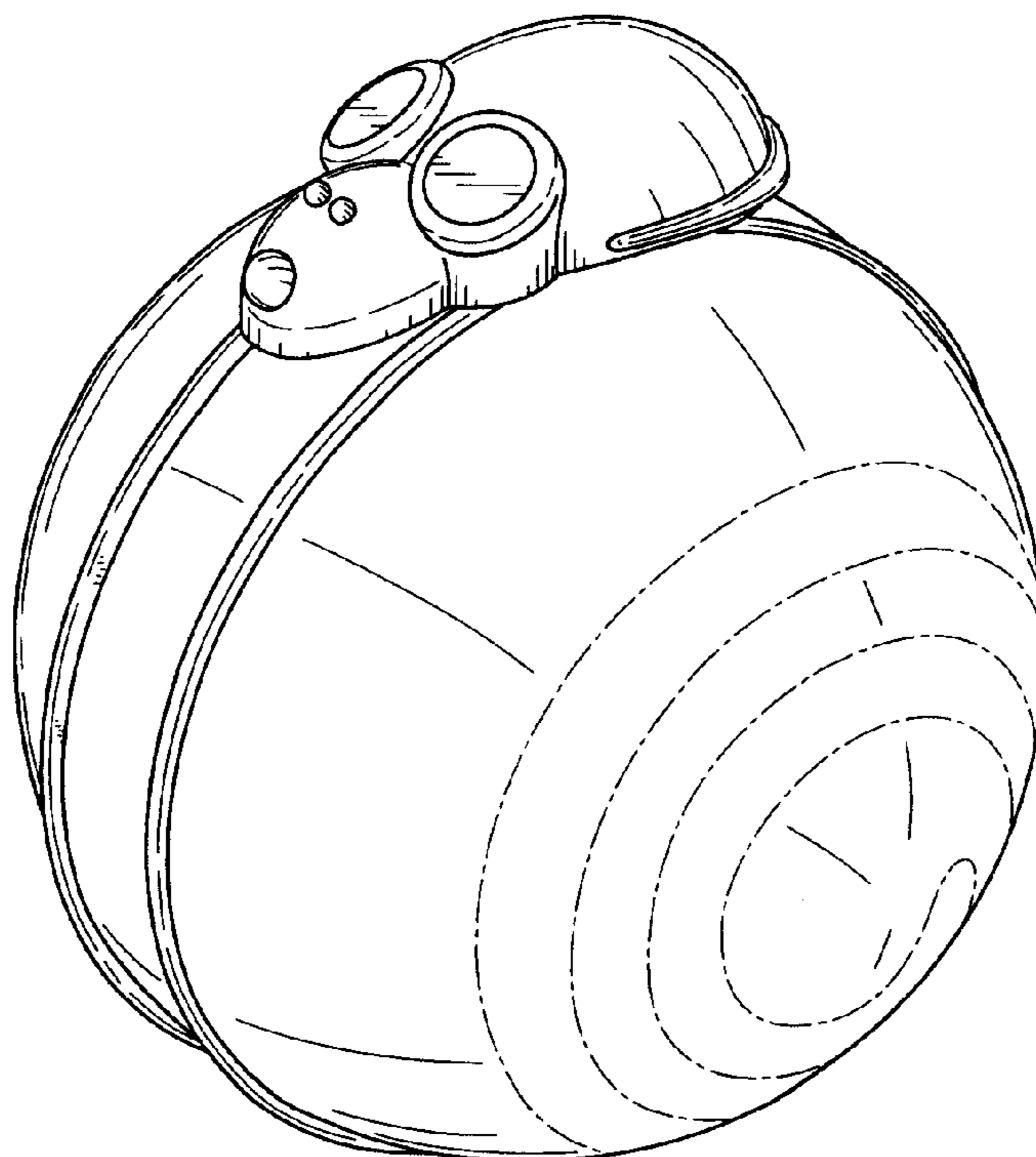
FIG. 5 is a right-side view of the spherical pet toy depicted in FIG. 1;

FIG. 6 is a top plan view of the spherical pet toy depicted in FIG. 1; and,

FIG. 7 is a bottom plan view of the spherical pet toy depicted in FIG. 1.

The broken line showing of the environment is for illustrative purposes only and forms no part of the claimed design.

**1 Claim, 4 Drawing Sheets**



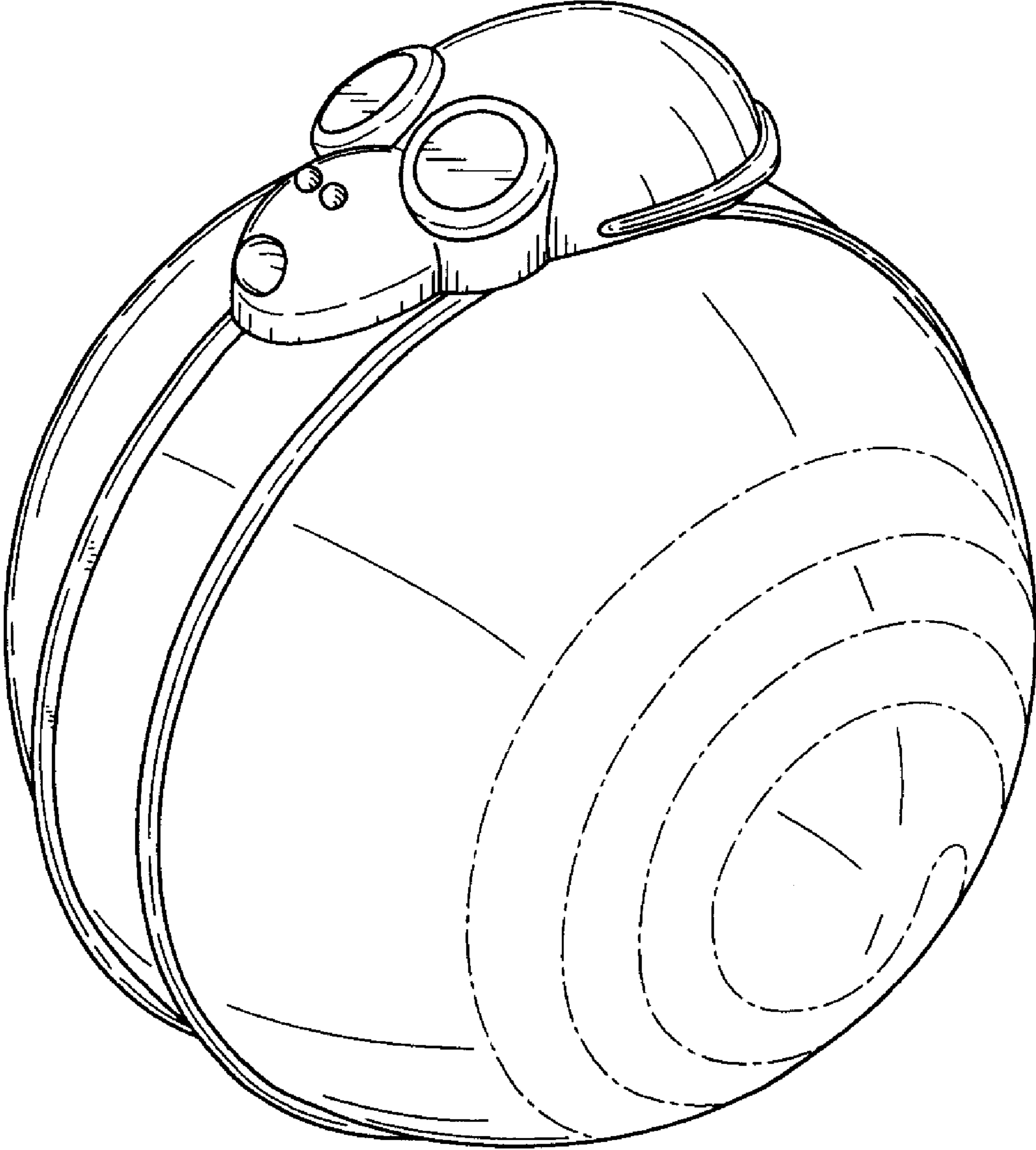


FIG. 1

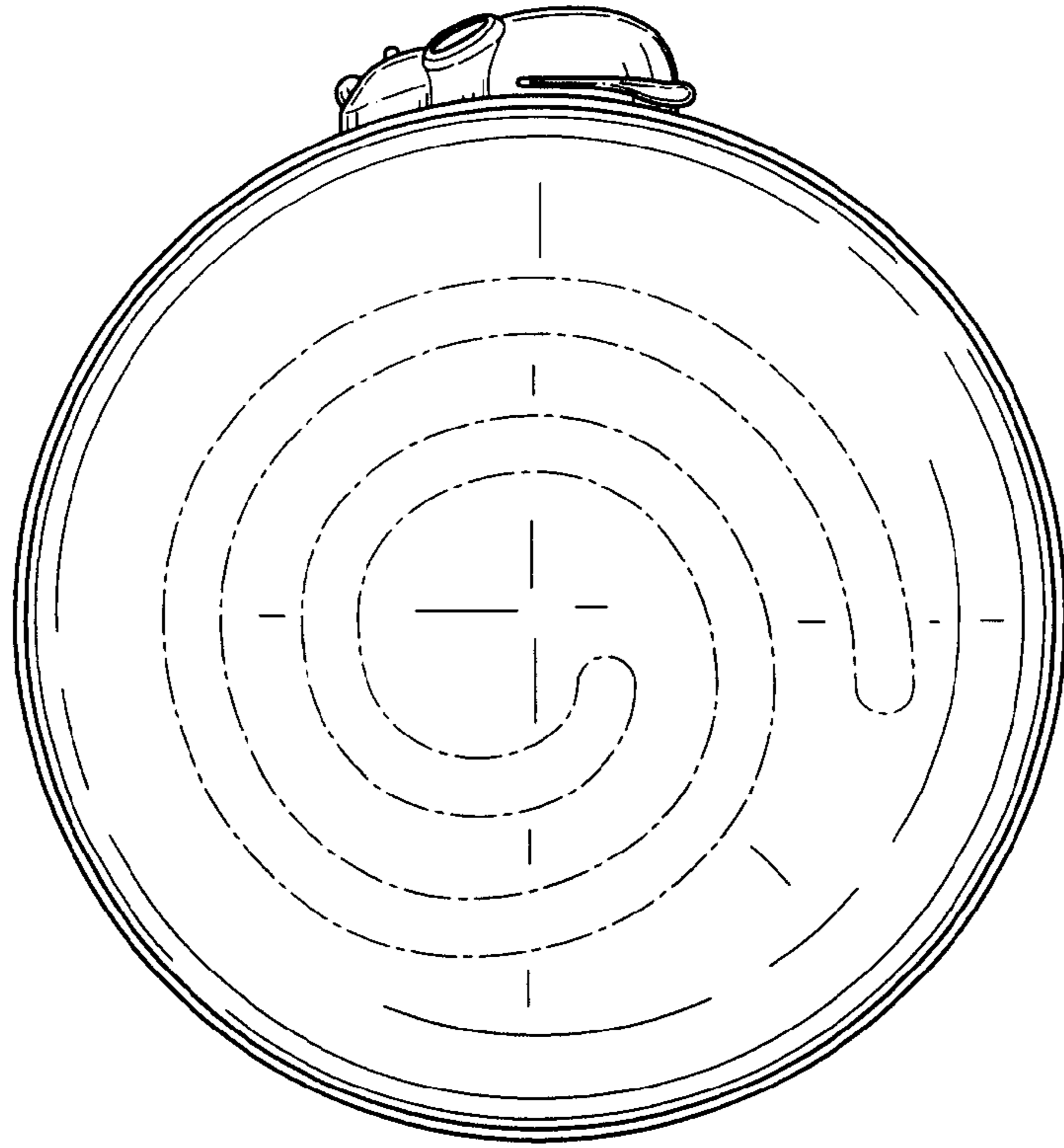


FIG. 2

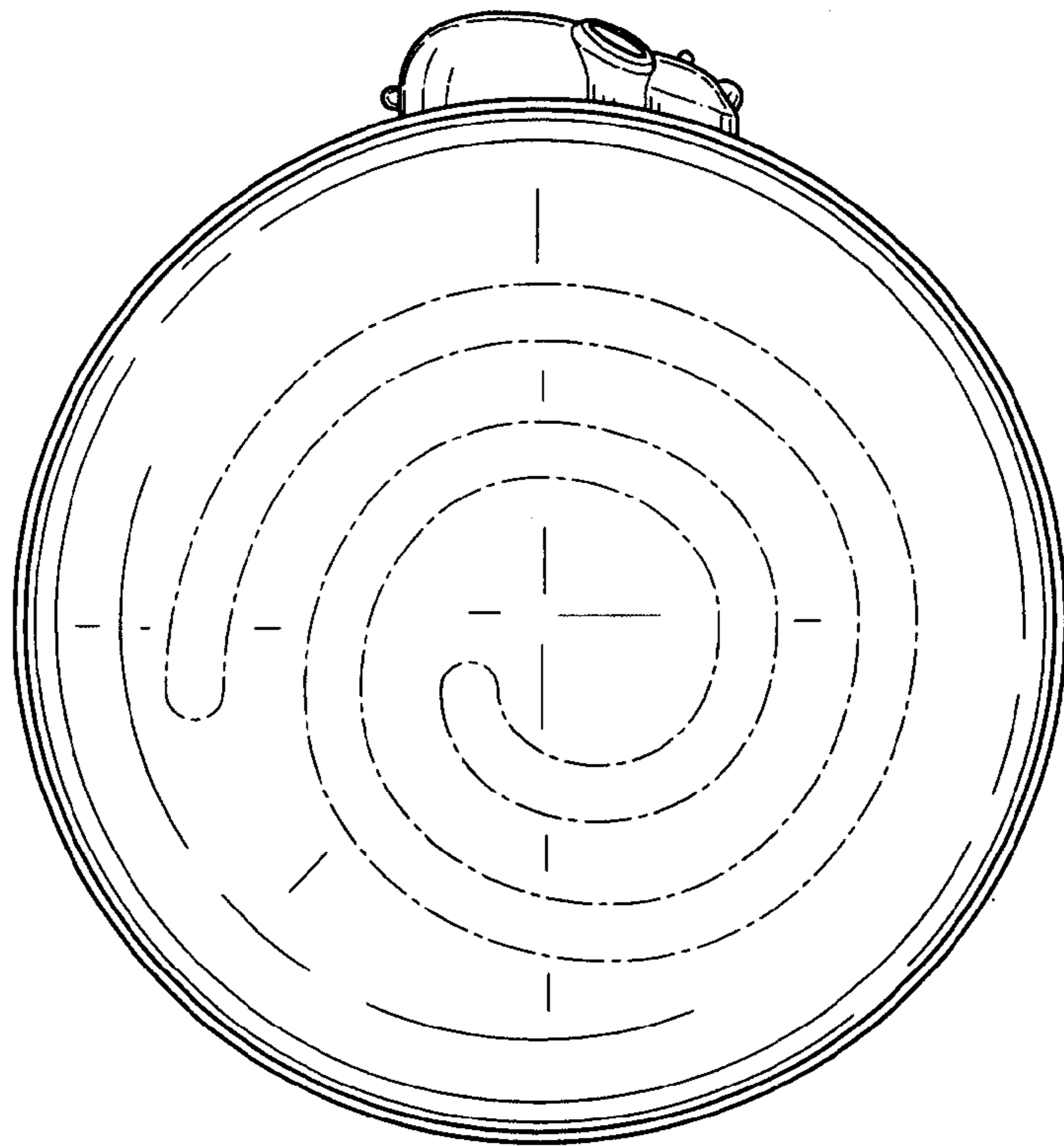


FIG. 3

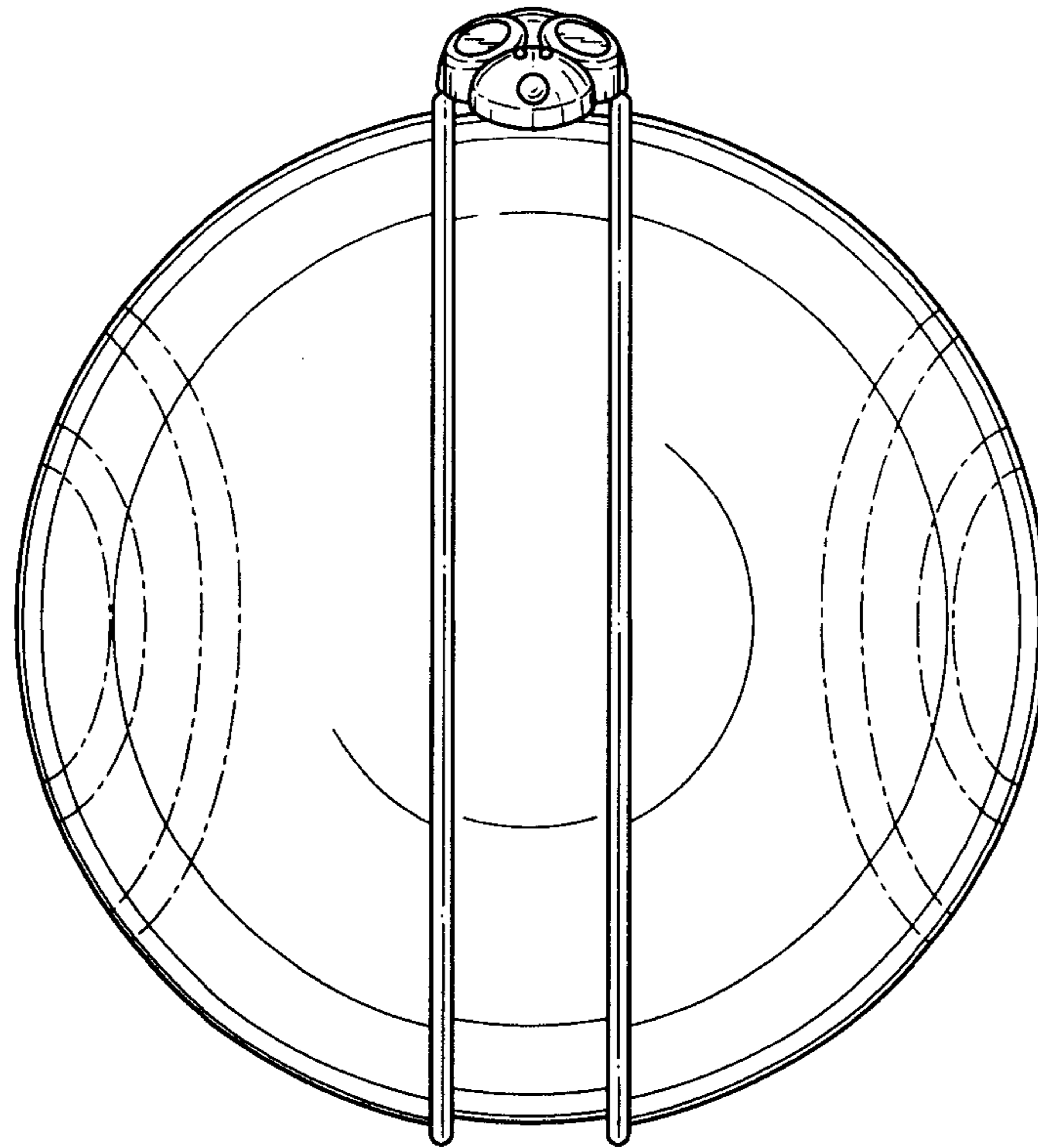


FIG.4

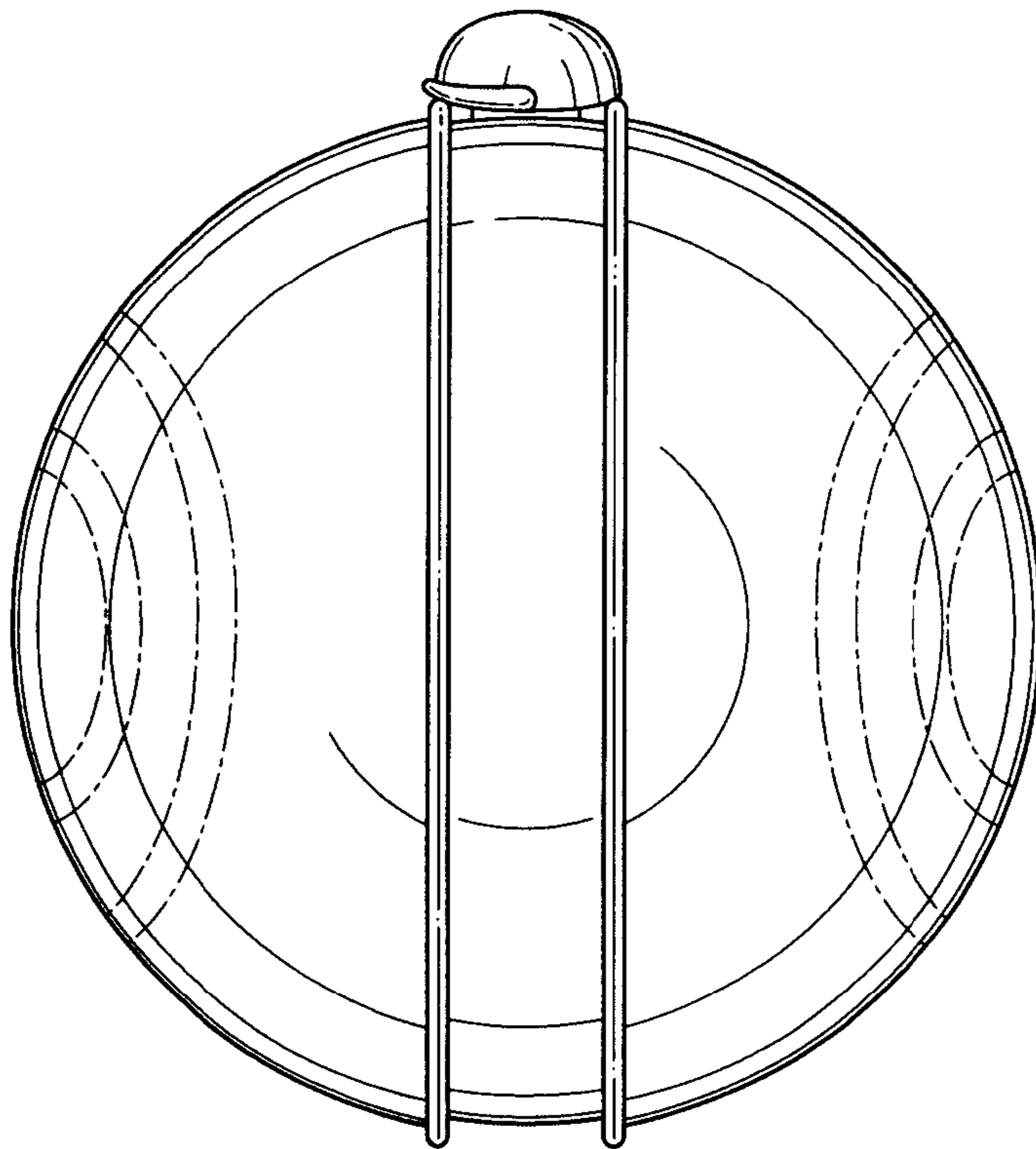


FIG.5

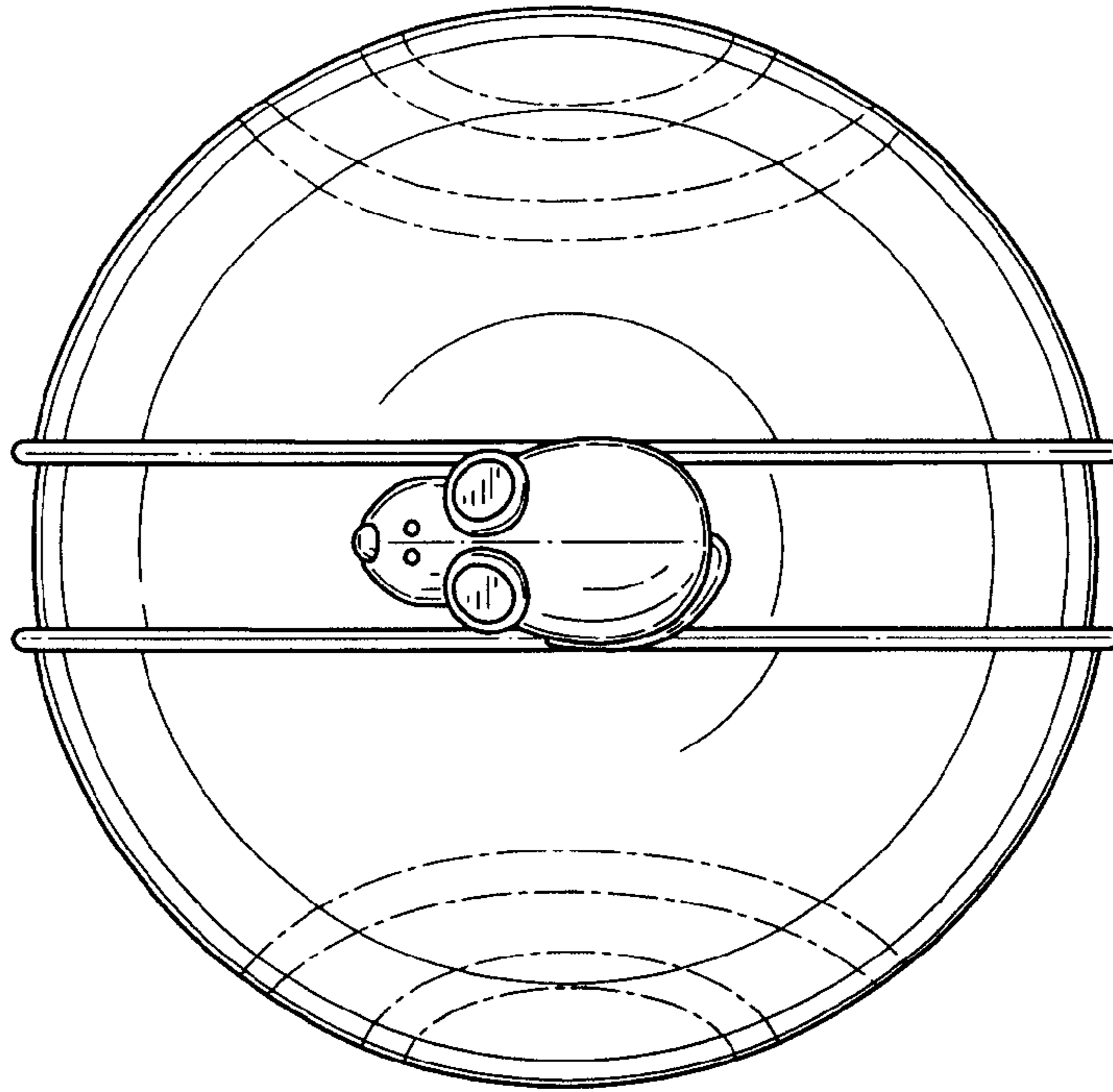


FIG. 6

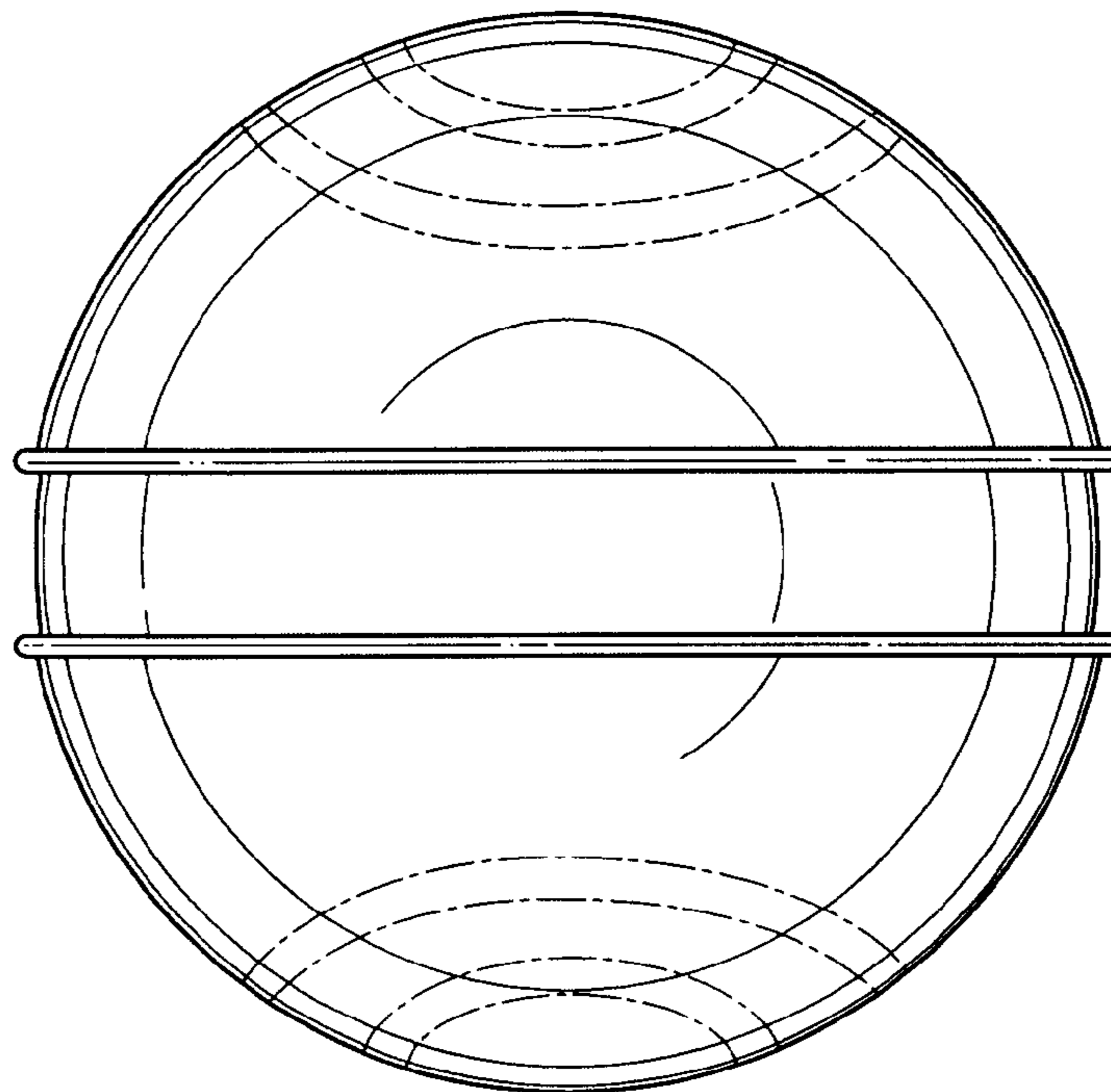


FIG. 7