



US00D535061S

(12) **United States Design Patent**
Evans et al.

(10) **Patent No.:** **US D535,061 S**

(45) **Date of Patent:** **** Jan. 9, 2007**

(54) **FACE MASK FOR A BATTING HELMET**

(76) Inventors: **Jeffrey M. Evans**, 1012 S. 131st. Ave.,
Omaha, NE (US) 68154; **Michael**
Evans, 16336 Bancroft, Omaha, NE
(US) 68130

(**) Term: **14 Years**

(21) Appl. No.: **29/242,476**

(22) Filed: **Nov. 10, 2005**

(51) **LOC (8) Cl.** **29-02**

(52) **U.S. Cl.** **D29/122**

(58) **Field of Classification Search** D29/102-109,
D29/111-112, 122; 2/5, 6.1-6.3, 6.5-6.8,
2/9, 410-415, 421-425, 427-428, 435, 468,
2/205-206, 172-173, 209

See application file for complete search history.

(56) **References Cited**

U.S. PATENT DOCUMENTS

2,611,897 A	9/1952	Adams	2/9
D204,731 S	* 5/1966	Dunning	D29/111
D207,479 S	* 4/1967	Dunning	D29/111
3,478,365 A	11/1969	Varga	2/3
D229,127 S	* 11/1973	Franklin	D29/108
3,886,596 A	* 6/1975	Franklin et al.	2/9

D243,127 S	* 1/1977	Farquharson	D29/108
D243,128 S	* 1/1977	Morgan	D29/108
4,042,974 A	* 8/1977	Morgan et al.	2/9
D246,012 S	* 10/1977	Minette	D29/108
D267,128 S	* 12/1982	Pearce	D29/108
5,384,914 A	* 1/1995	Caveness et al.	2/9
6,012,164 A	1/2000	Deal, III	2/9
D471,675 S	* 3/2003	Ikeda	D29/122

* cited by examiner

Primary Examiner—Ruth McInroy

(74) *Attorney, Agent, or Firm*—Thomte, Mazour & Niebergall; Dennis L. Thomte

(57) **CLAIM**

The ornamental design for a face mask for a batting helmet, as shown and described.

DESCRIPTION

FIG. 1 is front perspective view of the face mask of this invention;

FIG. 2 is a right side view of the face mask of this invention;

FIG. 3 is a front view of the face mask;

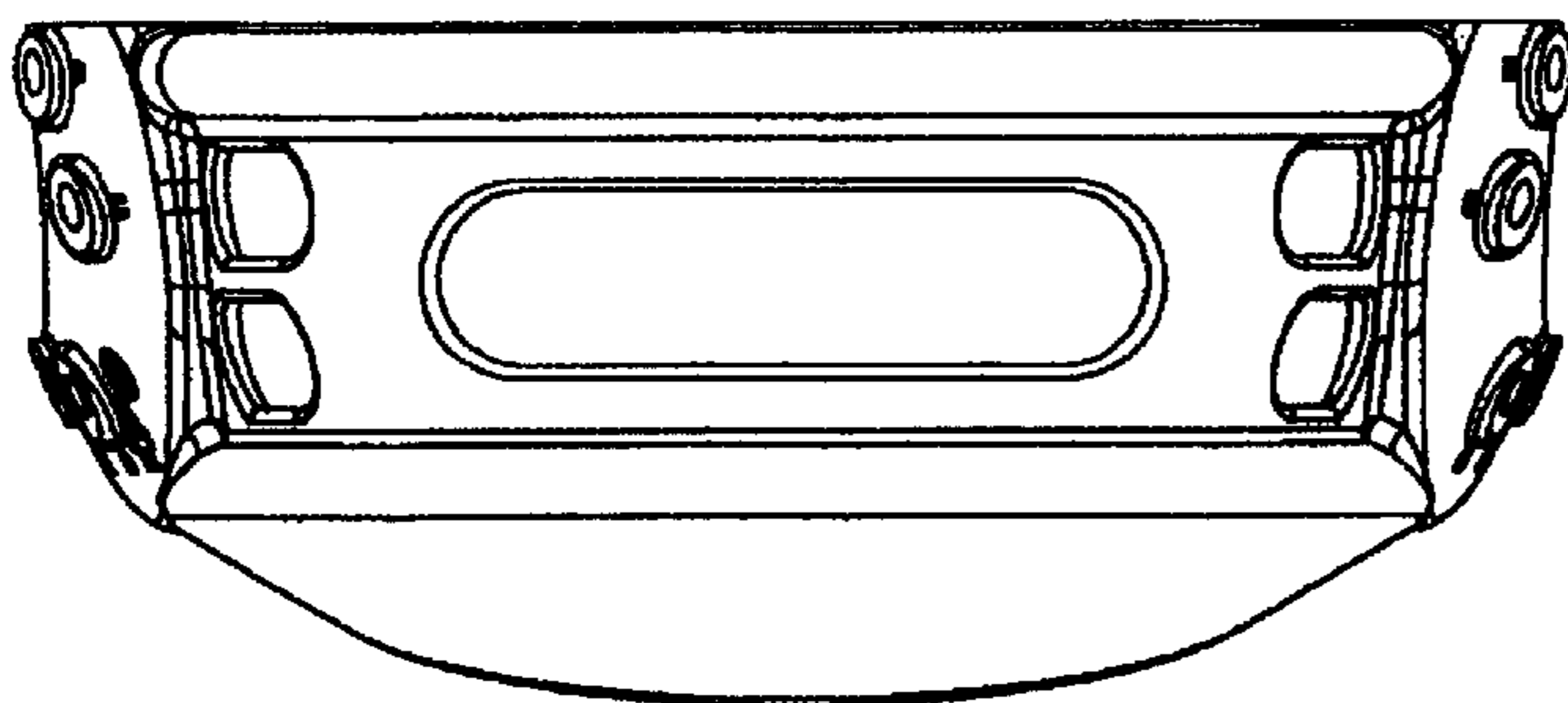
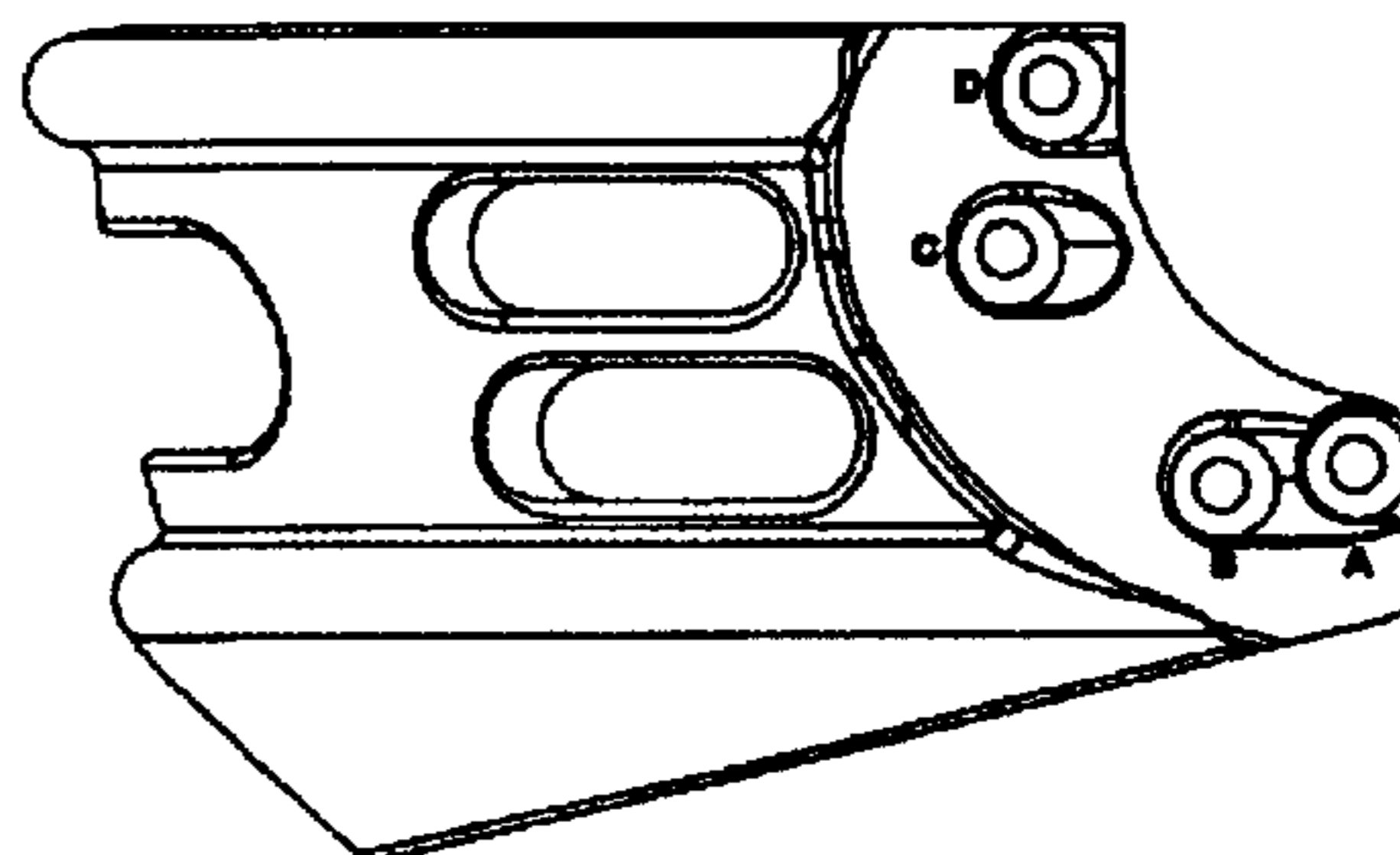
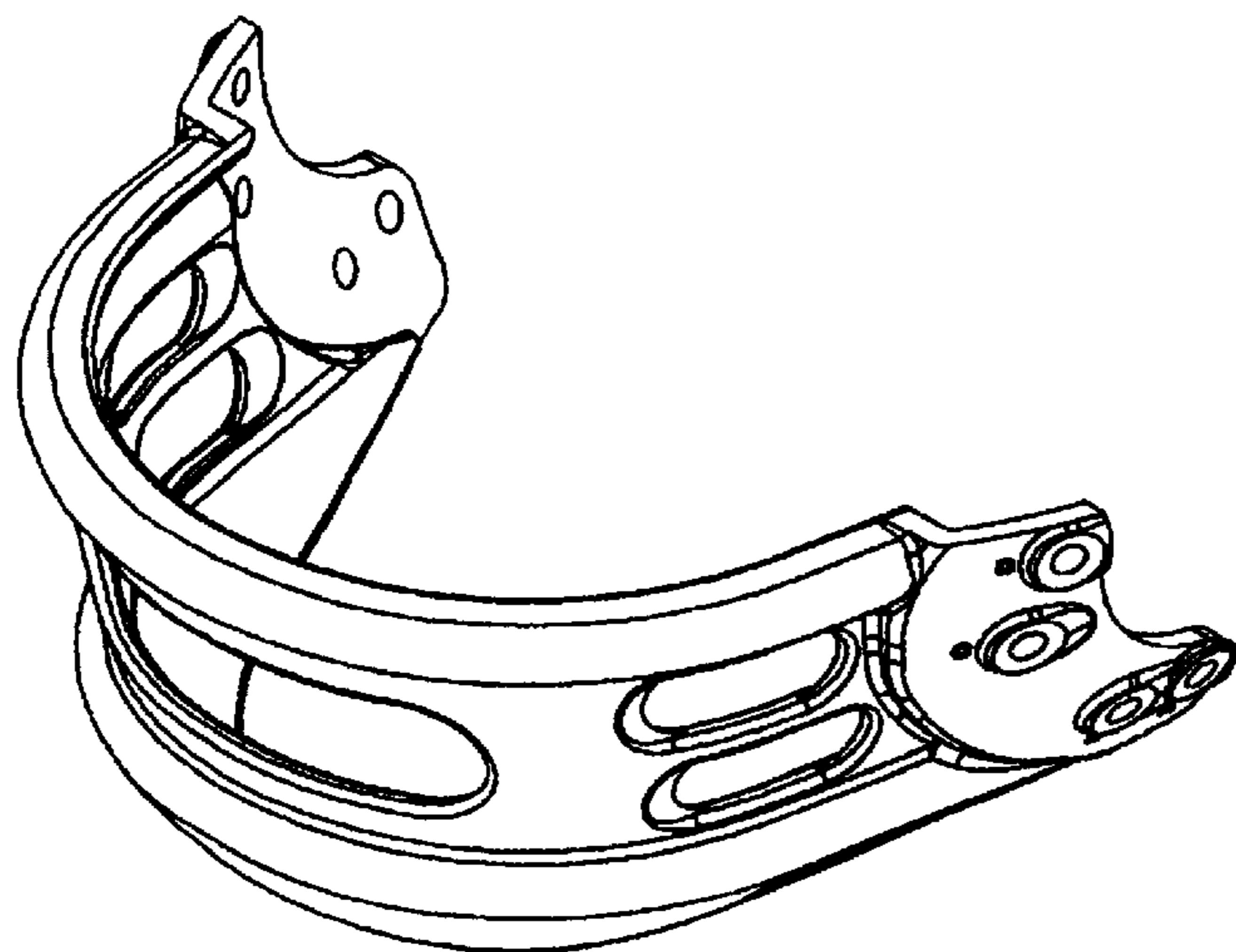
FIG. 4 is a bottom view of the face mask;

FIG. 5 is a left side view of the face mask;

FIG. 6 is a rear view of the face mask; and,

FIG. 7 is a top view of the face mask.

1 Claim, 2 Drawing Sheets



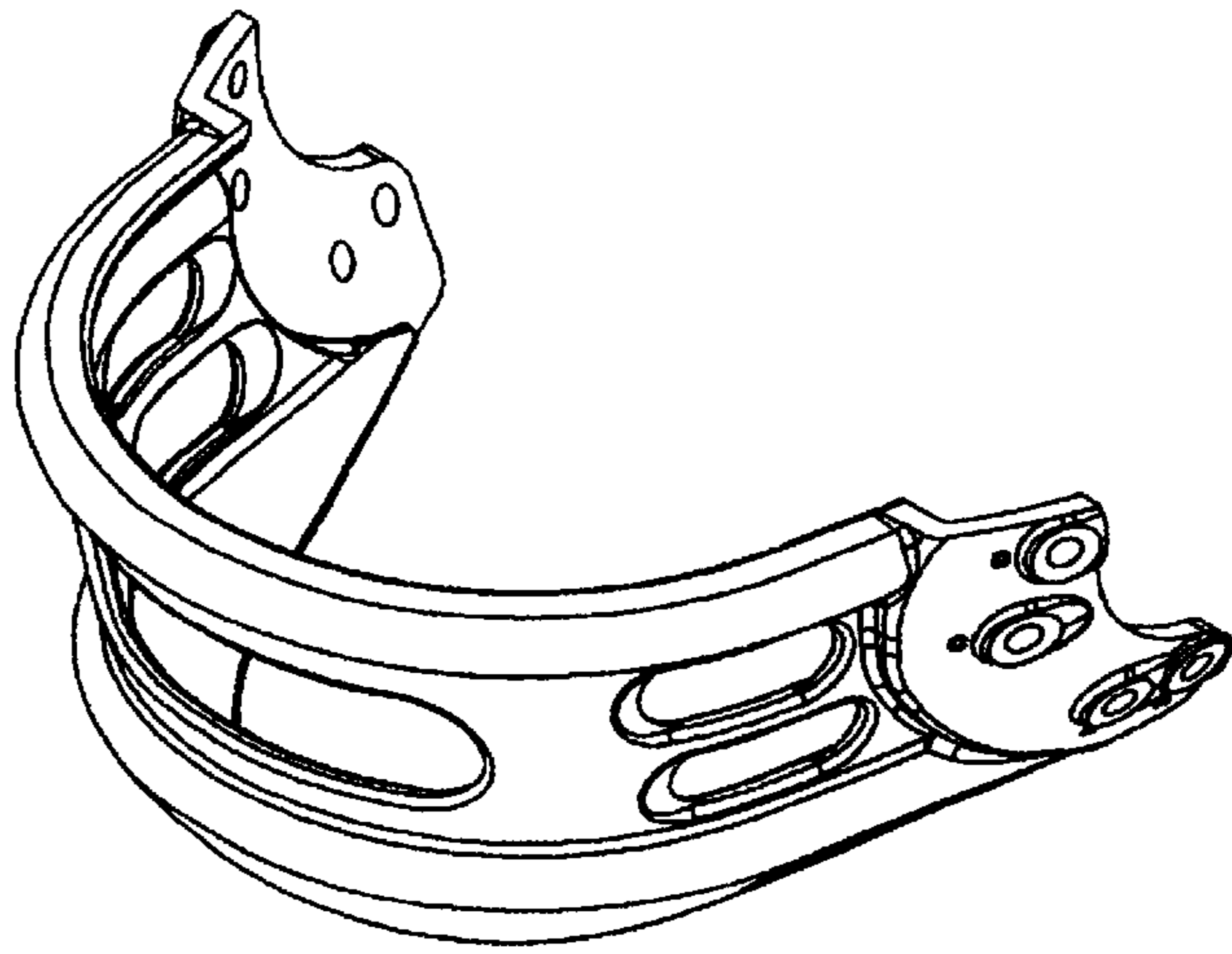


FIG. 1

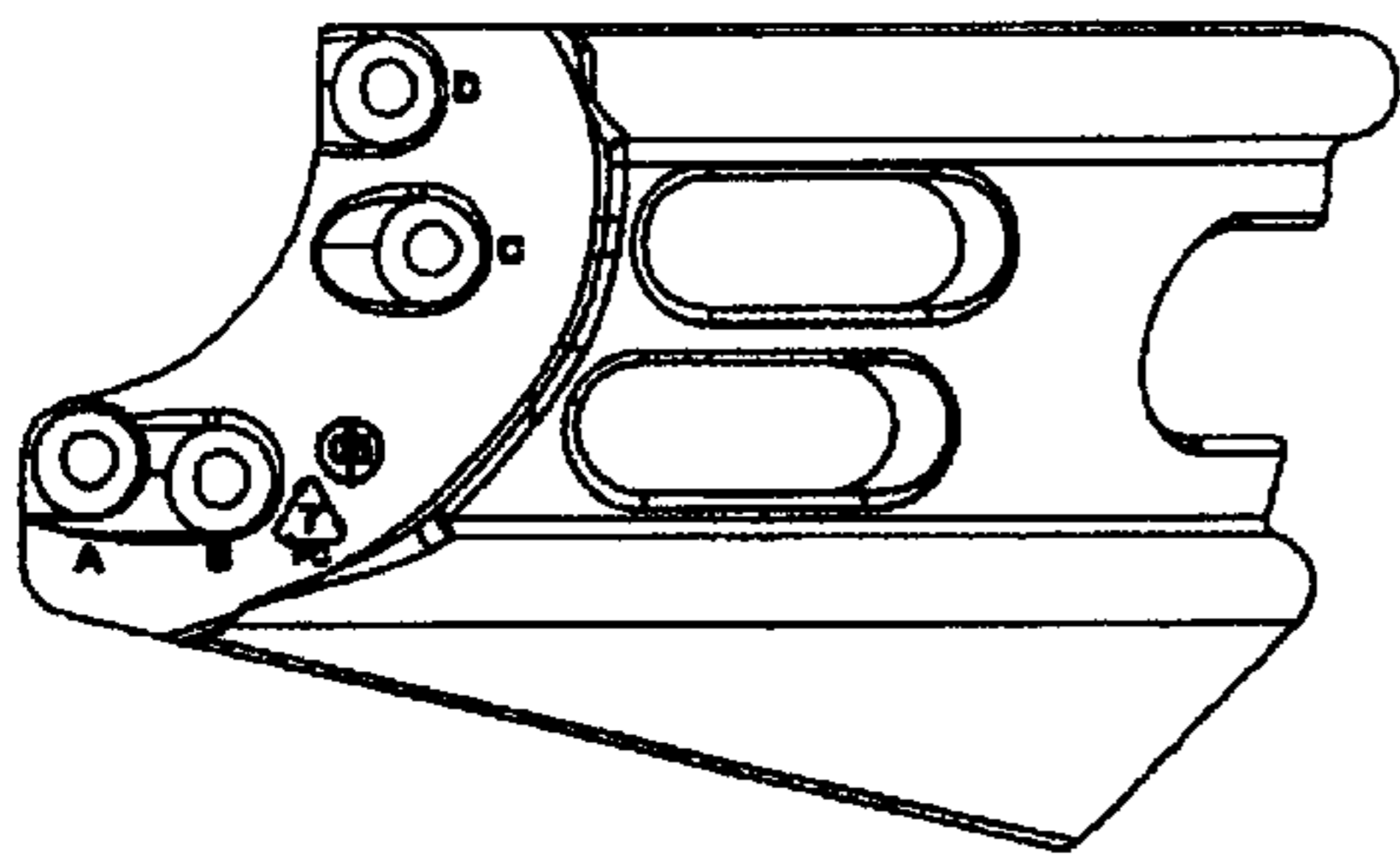


FIG. 2

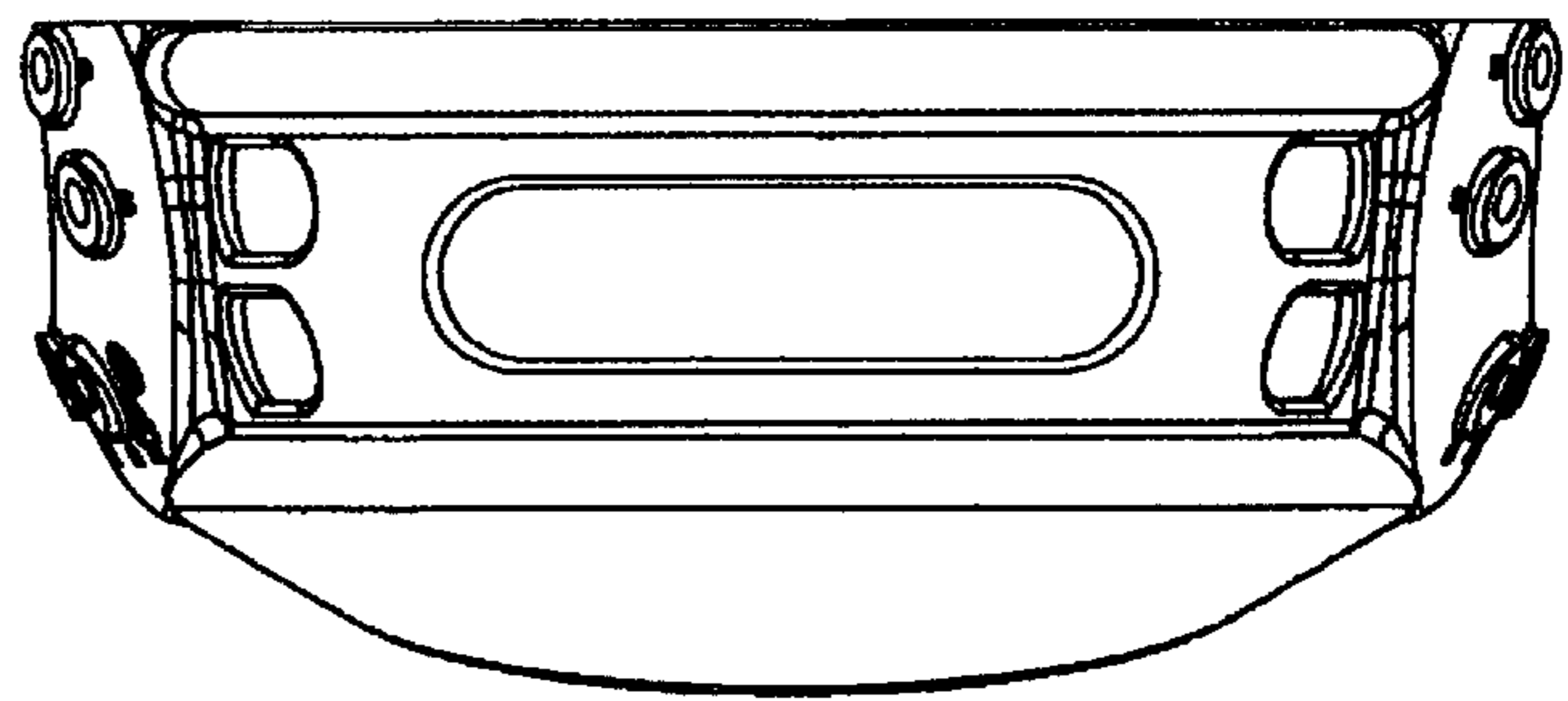


FIG. 3

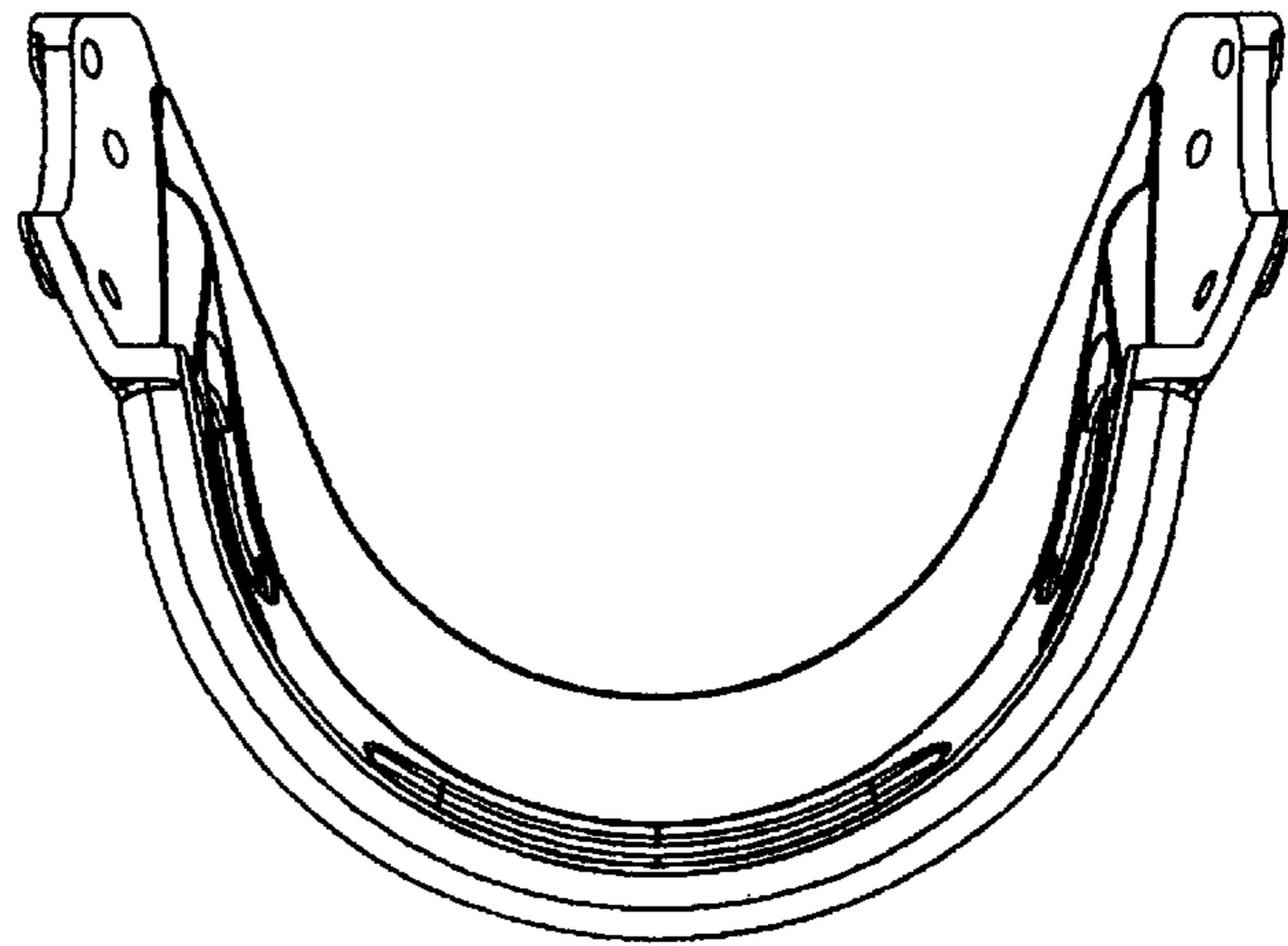


FIG. 4

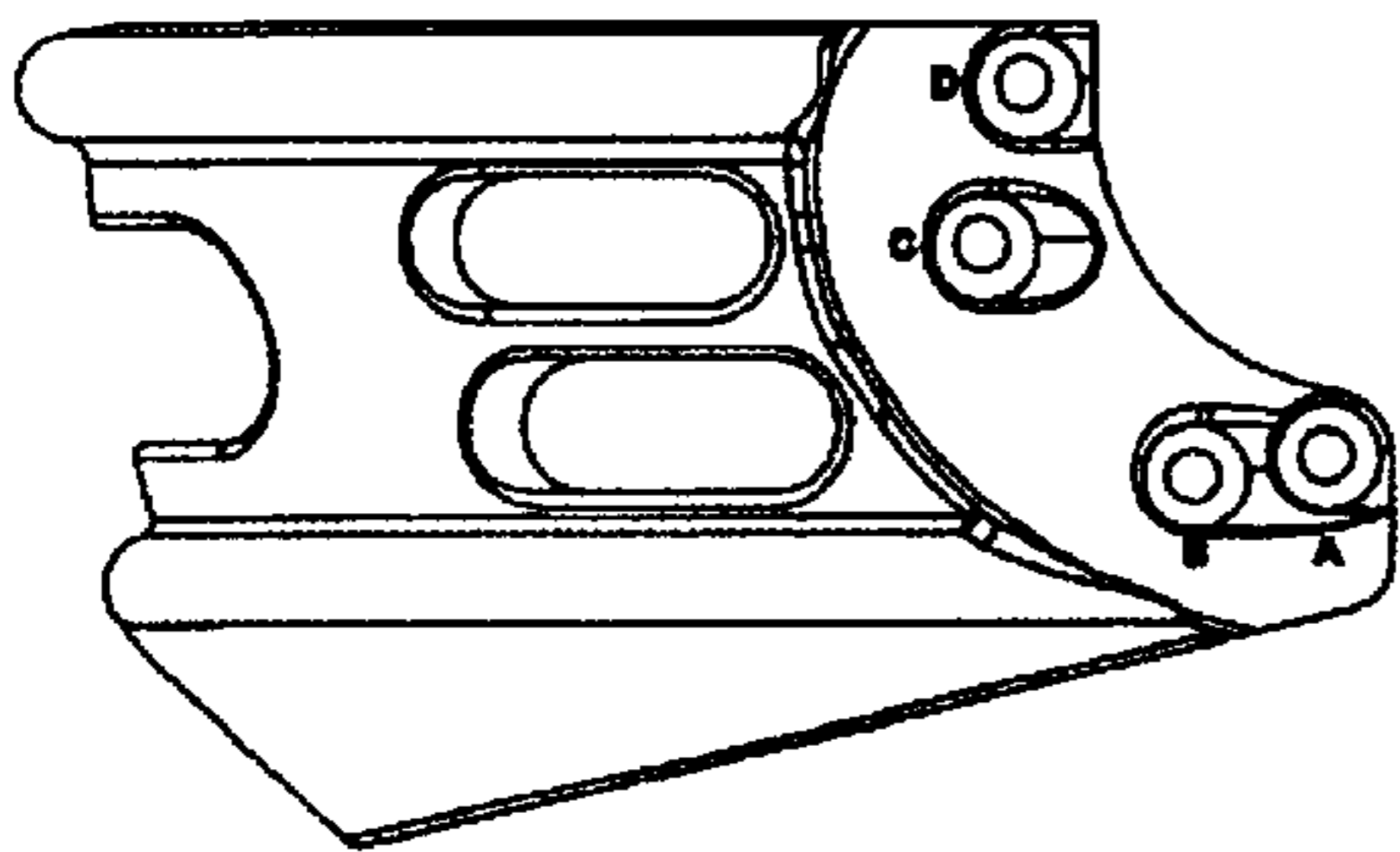


FIG. 5

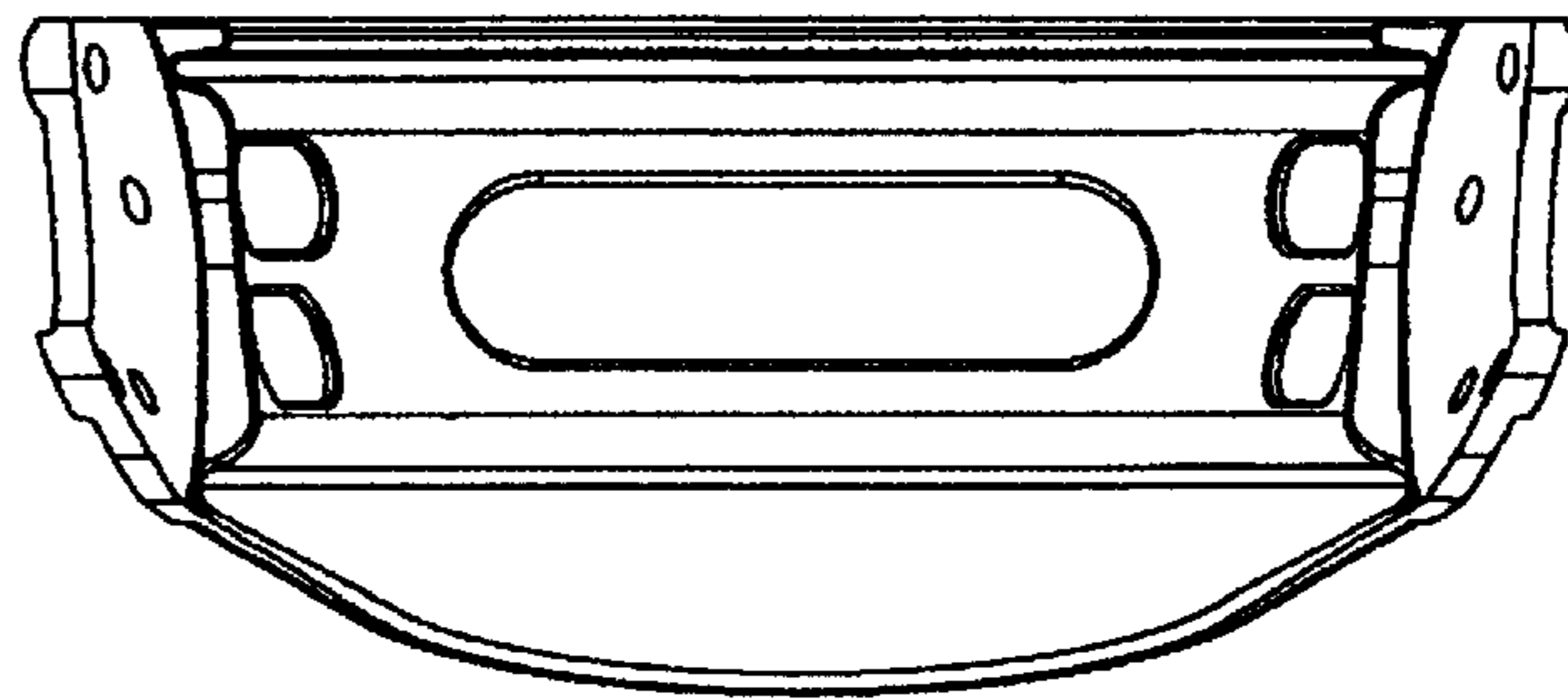


FIG. 6

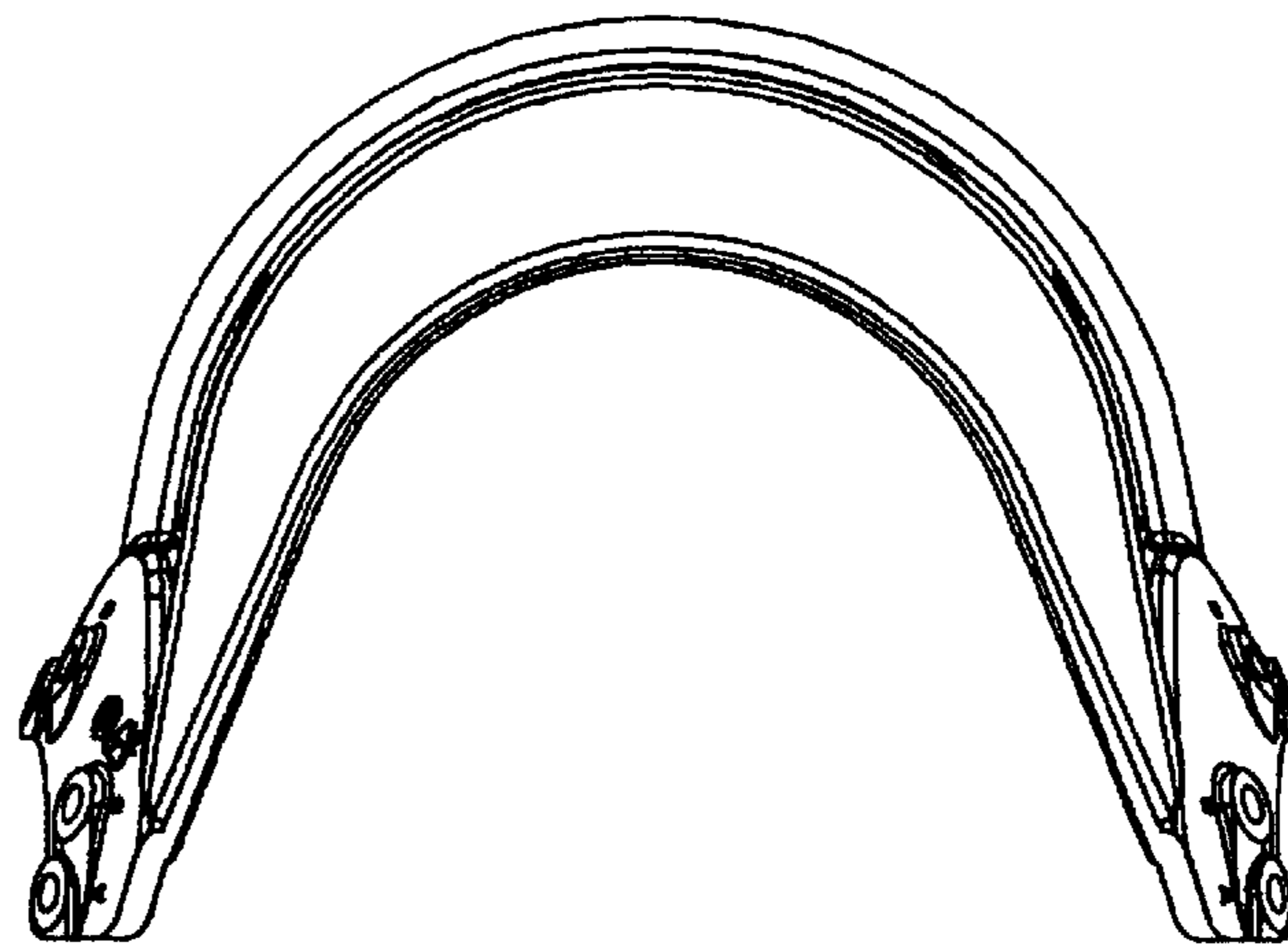


FIG. 7