



US00D535055S

(12) **United States Design Patent**
Been et al.

(10) **Patent No.:** **US D535,055 S**
(45) **Date of Patent:** **** Jan. 9, 2007**

(54) **HAIR BINDER**

(76) Inventors: **James Been**, 1910 NW. 191 Ter.,
Miami Gardens, FL (US) 33056; **Rose**
Been, 1910 NW. 191 Ter., Miami
Gardens, FL (US) 33056

(**) Term: **14 Years**

(21) Appl. No.: **29/243,832**

(22) Filed: **Dec. 1, 2005**

(51) **LOC (8) Cl.** **28-03**

(52) **U.S. Cl.** **D28/41; D2/606**

(58) **Field of Classification Search** D28/10,
D28/39-43; 2/338, 606; D11/3, 5, 74; 132/273-275;
428/4, 5; D2/606, 853

See application file for complete search history.

(56) **References Cited**

U.S. PATENT DOCUMENTS

1,479,150	A	*	1/1924	Mellus	2/314
2,272,514	A	*	2/1942	Davis	132/275
D132,721	S	*	6/1942	Meyer	D11/74
D133,286	S	*	8/1942	Meyer	D11/74
D136,854	S	*	12/1943	Julian	D28/41
D141,753	S	*	7/1945	Du Bois	D11/3
2,871,592	A	*	2/1959	Polzin	40/633
3,000,384	A	*	9/1961	Piers, Jr.	132/273

D356,051	S	*	3/1995	Akdemir	D11/12
5,857,217	A	*	1/1999	Hsueh	2/170
5,927,297	A	*	7/1999	Cooper	132/273
D414,130	S	*	9/1999	Rutler	D11/5
D417,526	S		12/1999	Yu		
D421,665	S	*	3/2000	Farmer-Abney	D28/43
6,032,680	A	*	3/2000	Lu et al.	132/275
6,053,169	A	*	4/2000	Hunt	128/876
D428,531	S	*	7/2000	Falloon	D28/41
2004/0083536	A1	*	5/2004	Hung et al.	2/338

* cited by examiner

Primary Examiner—Janice Seeger

Assistant Examiner—Zenia I Bennett

(57) **CLAIM**

The ornamental design for a hair binder, as shown and described.

DESCRIPTION

FIG. 1 is a top plan view of a hair binder showing our new design;

FIG. 2 is a bottom plan view;

FIG. 3 is a side elevation view;

FIG. 4 is a right end view;

FIG. 5 is a left end view; and,

FIG. 6 is an isometric view of a hair binder showing our new design.

1 Claim, 2 Drawing Sheets

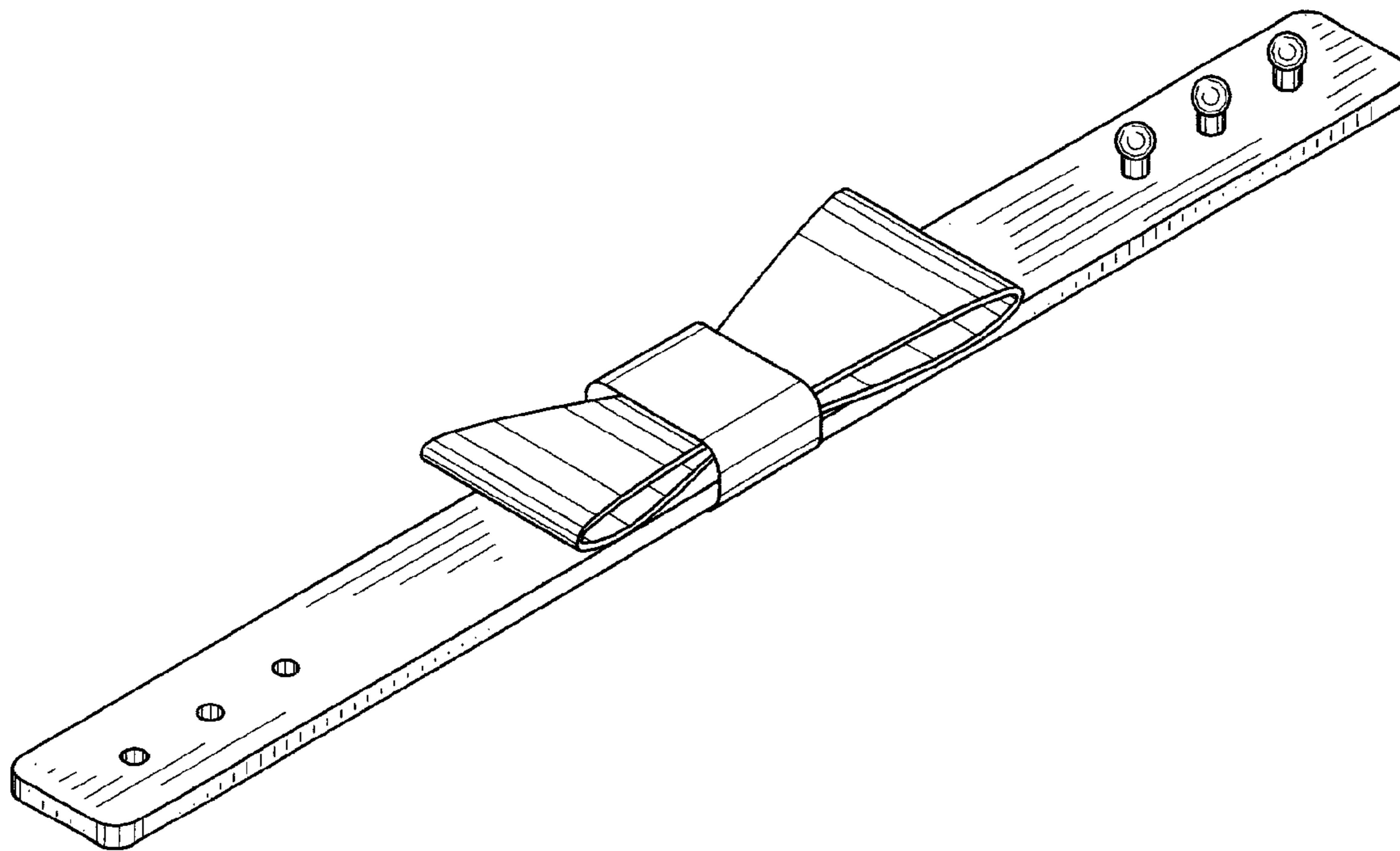


FIG. 1

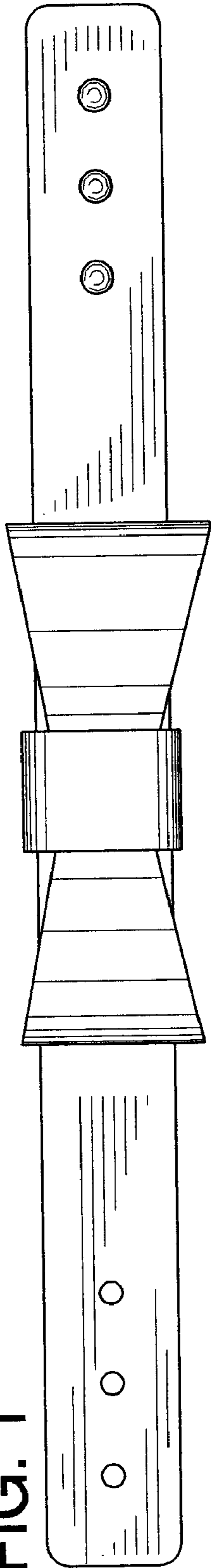


FIG. 2

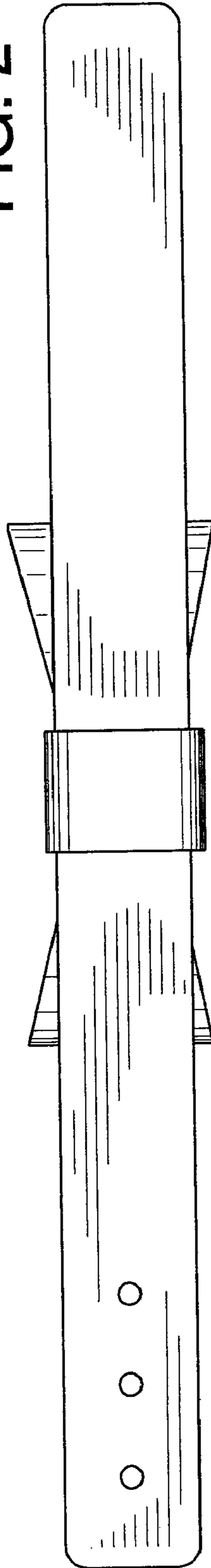


FIG. 3

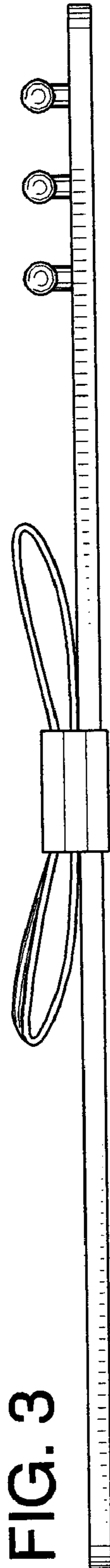


FIG. 4

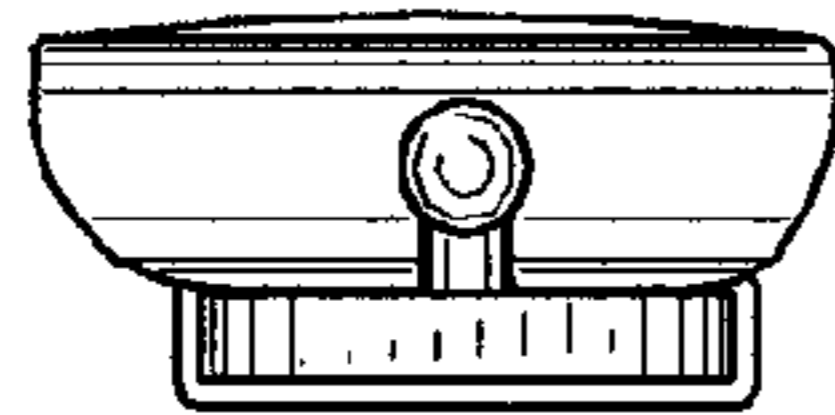


FIG. 5

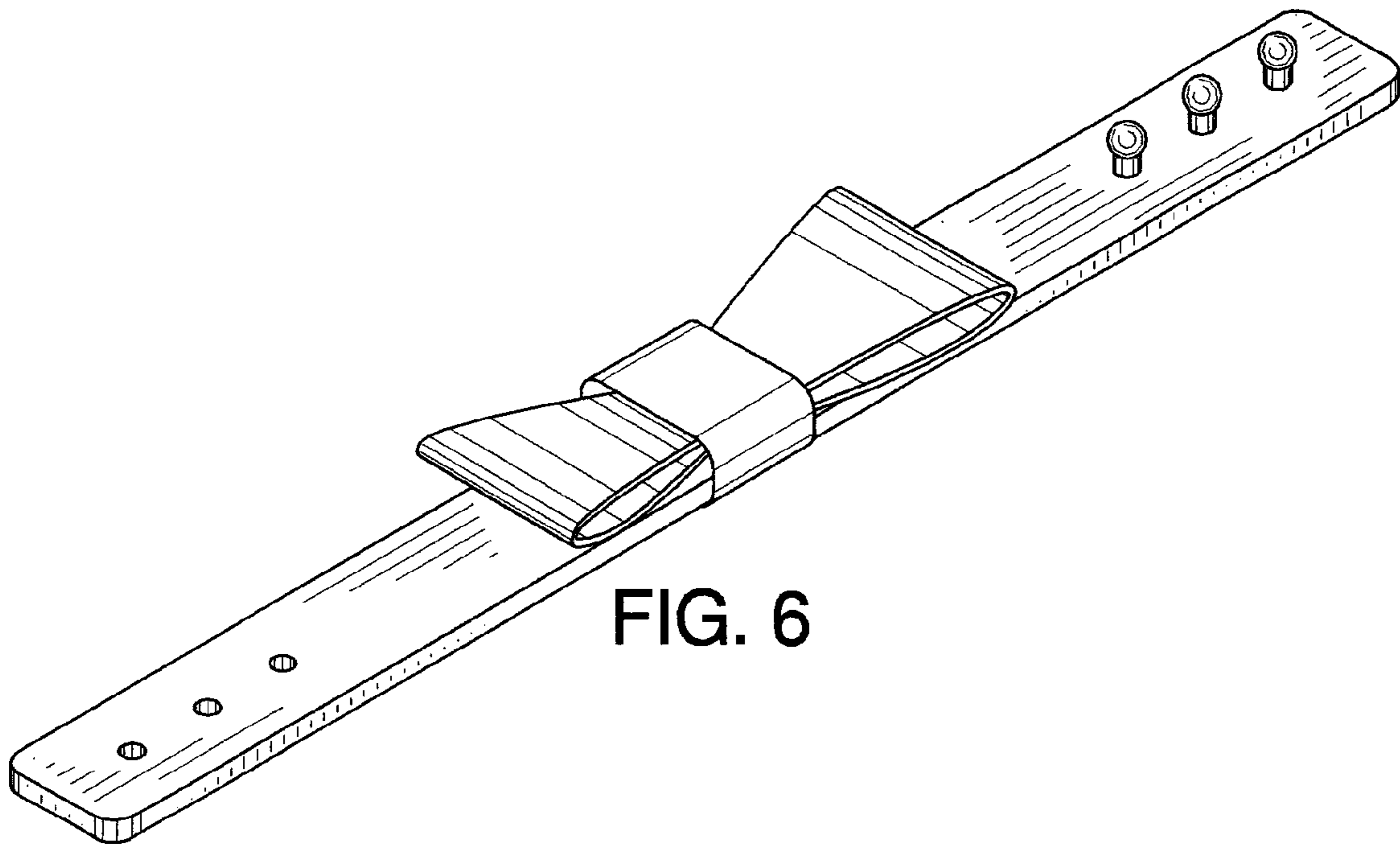
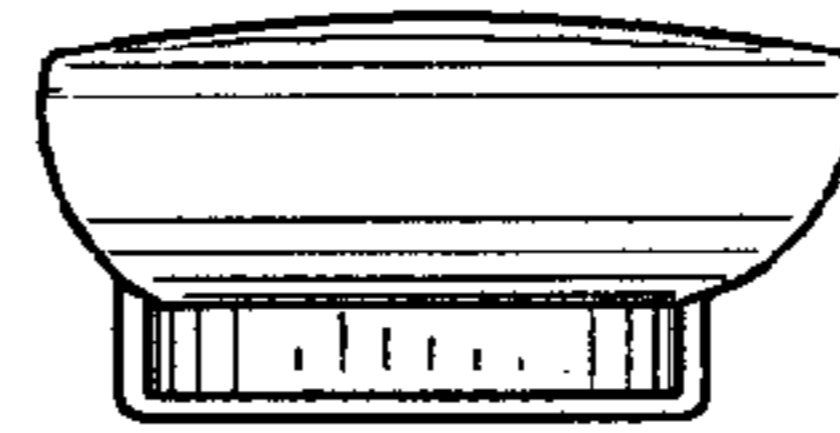


FIG. 6