



US00D535051S

(12) **United States Design Patent**
Stauffer

(10) **Patent No.:** **US D535,051 S**

(45) **Date of Patent:** **** Jan. 9, 2007**

(54) **CEILING FAN LIGHT**

(75) Inventor: **Michael J. Stauffer**, Memphis, TN
(US)

(73) Assignee: **Hunter Fan Company**, Memphis, TN
(US)

(**) Term: **14 Years**

(21) Appl. No.: **29/204,178**

(22) Filed: **Apr. 26, 2004**

(51) **LOC (8) Cl.** **26-99**

(52) **U.S. Cl.** **D26/128**

(58) **Field of Classification Search** D26/65,
D26/72, 88, 81-86, 128-137, 118; D23/411,
D23/377, 413, 385, 379; 362/326, 334, 96,
362/147, 404, 341, 350

See application file for complete search history.

(56) **References Cited**

U.S. PATENT DOCUMENTS

D187,948 S	*	5/1960	Lauterbach	D26/63
D228,796 S	*	10/1973	De John	D26/128
D348,729 S	*	7/1994	Mason	D23/411
D389,949 S	*	1/1998	Walker	D26/118

D403,098 S	*	12/1998	Littman et al.	D26/87
D417,269 S	*	11/1999	Thomas, Jr.	D23/411
D421,507 S	*	3/2000	Borders et al.	D26/118
D451,995 S	*	12/2001	Liu	D23/411
D459,466 S	*	6/2002	Hsieh	D23/411
D464,164 S	*	10/2002	Thompson	D26/89

* cited by examiner

Primary Examiner—Freda S. Nunn

Assistant Examiner—Kevin K. Rudzinski

(74) *Attorney, Agent, or Firm*—Baker Donelson

(57) **CLAIM**

The ornamental design for a ceiling fan light, as shown and described.

DESCRIPTION

FIG. 1 is a perspective view of a ceiling fan light showing my new design.

FIG. 2 is a front view thereof, the rear view, right side view and left side view being the same thereof.

FIG. 3 is a bottom view thereof; and,

FIG. 4 is a top view thereof.

The phantom lines are intended to show environment only and do not represent part of the claimed invention.

1 Claim, 2 Drawing Sheets

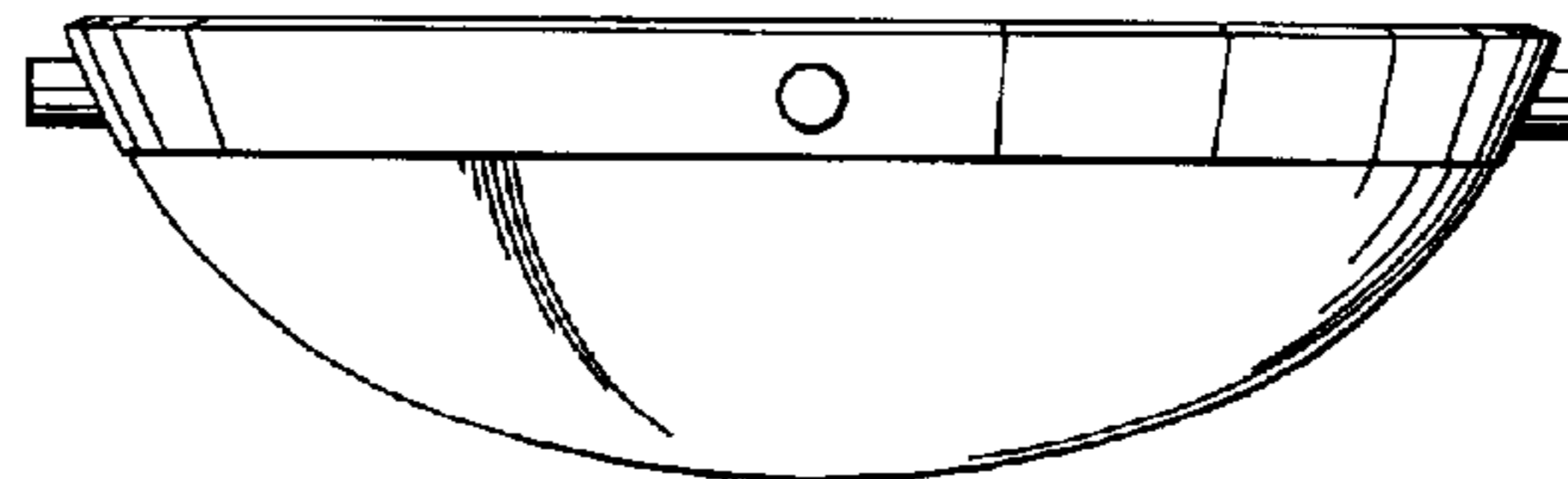
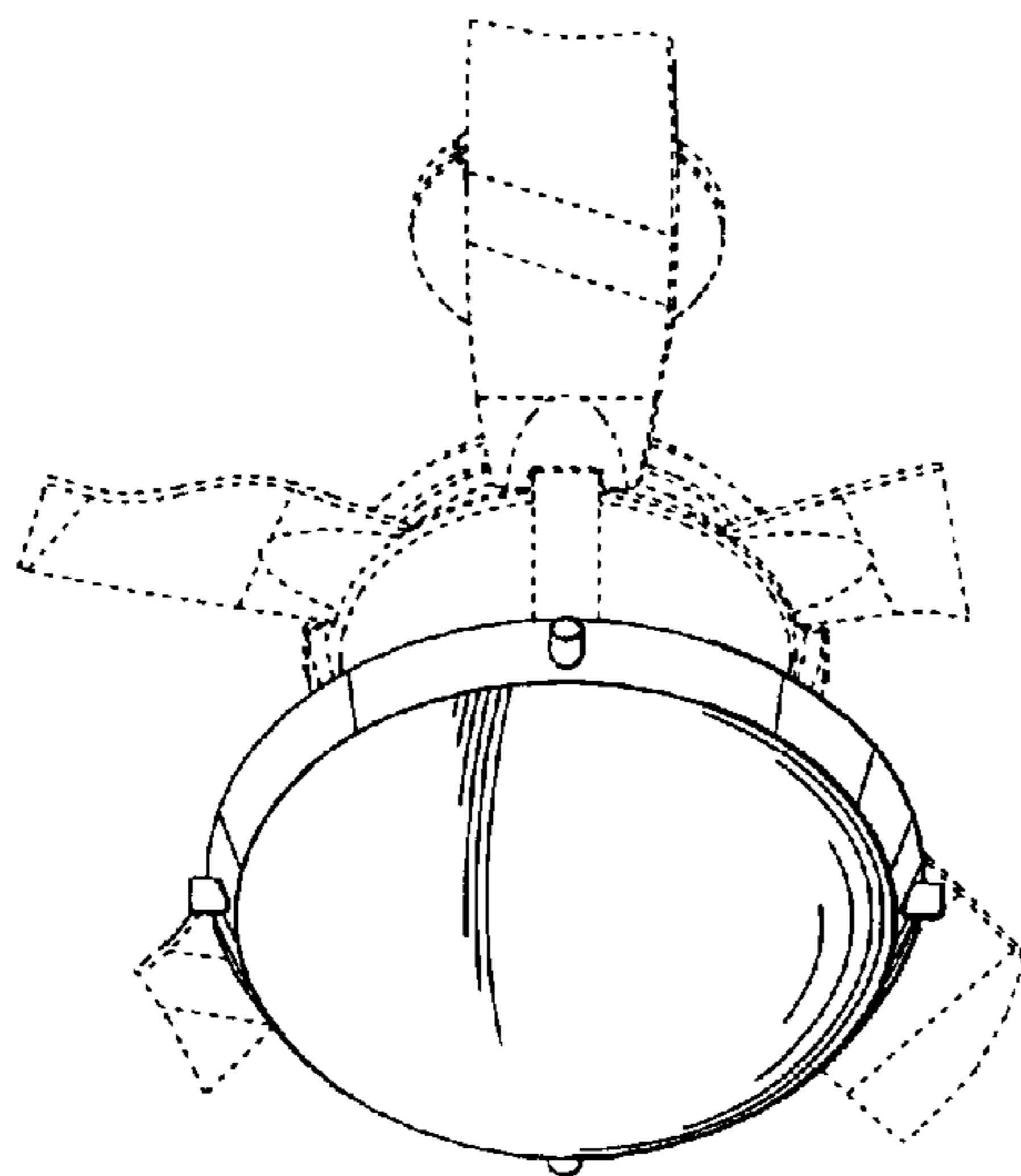


Fig. 1

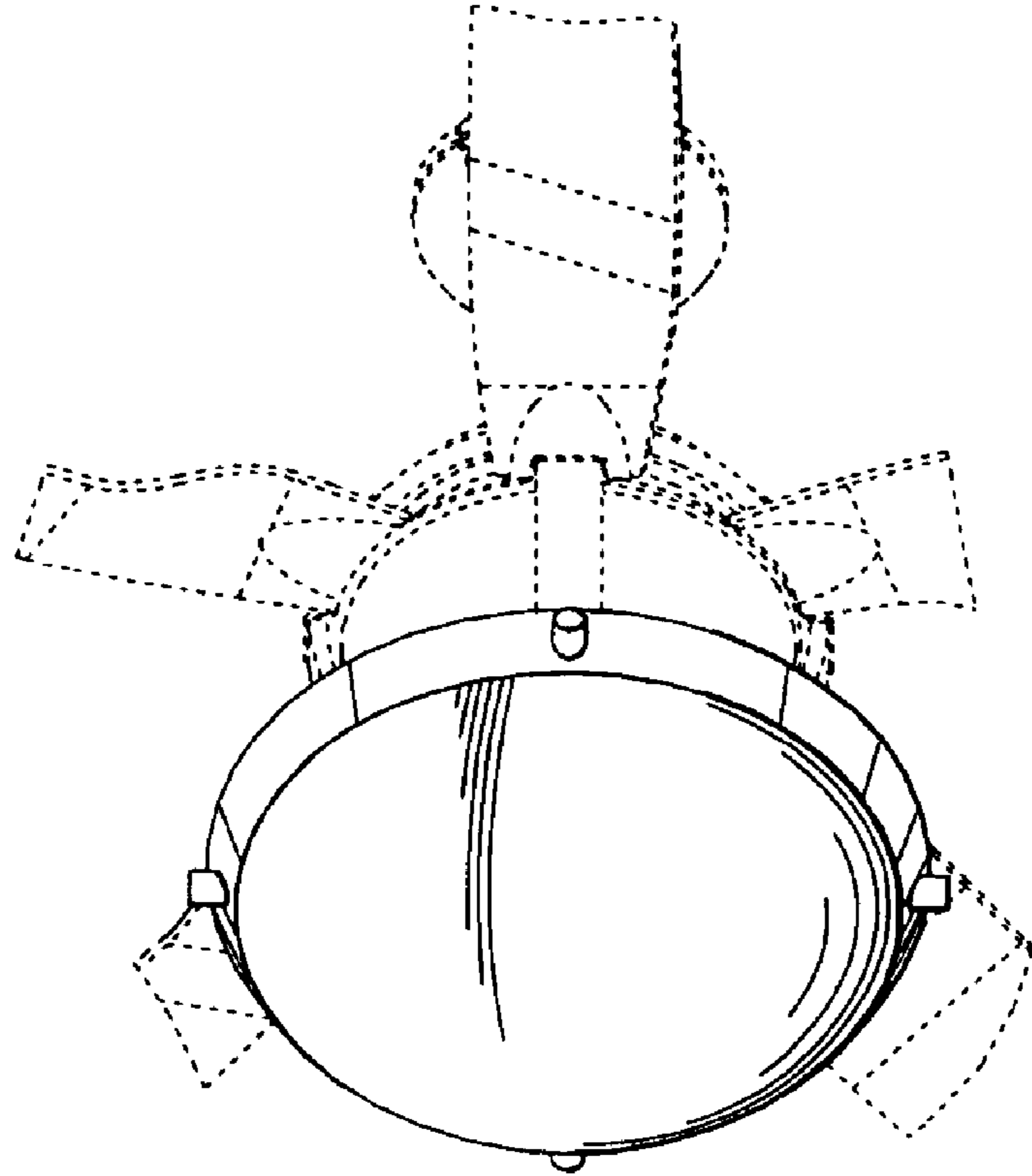


Fig. 2

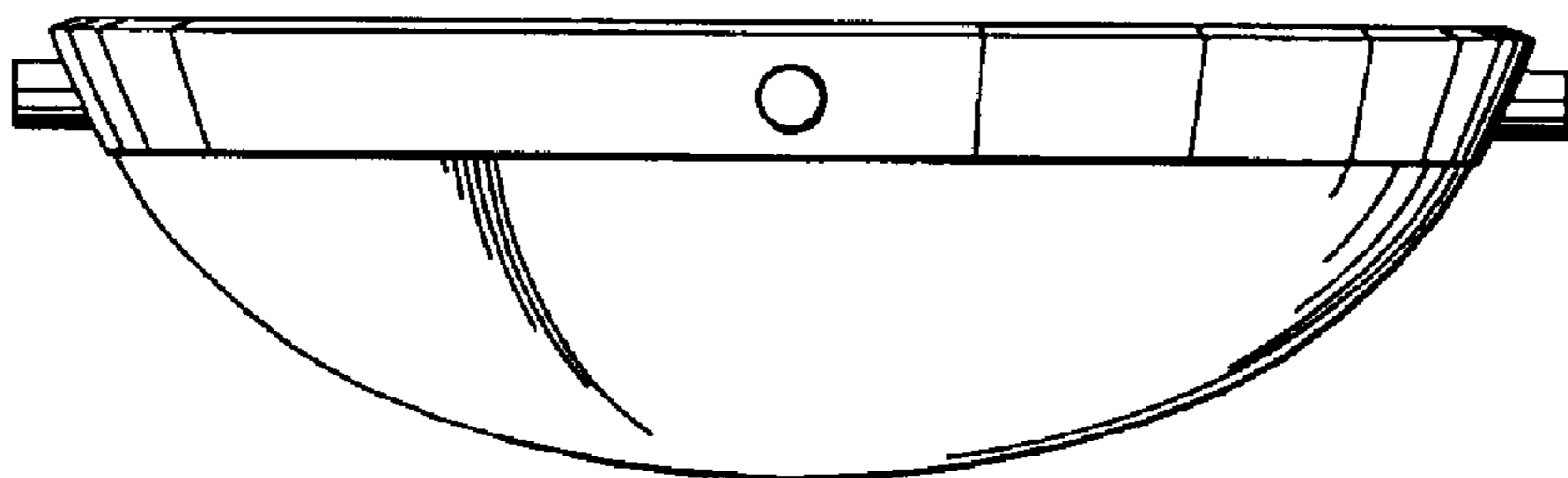


Fig. 3

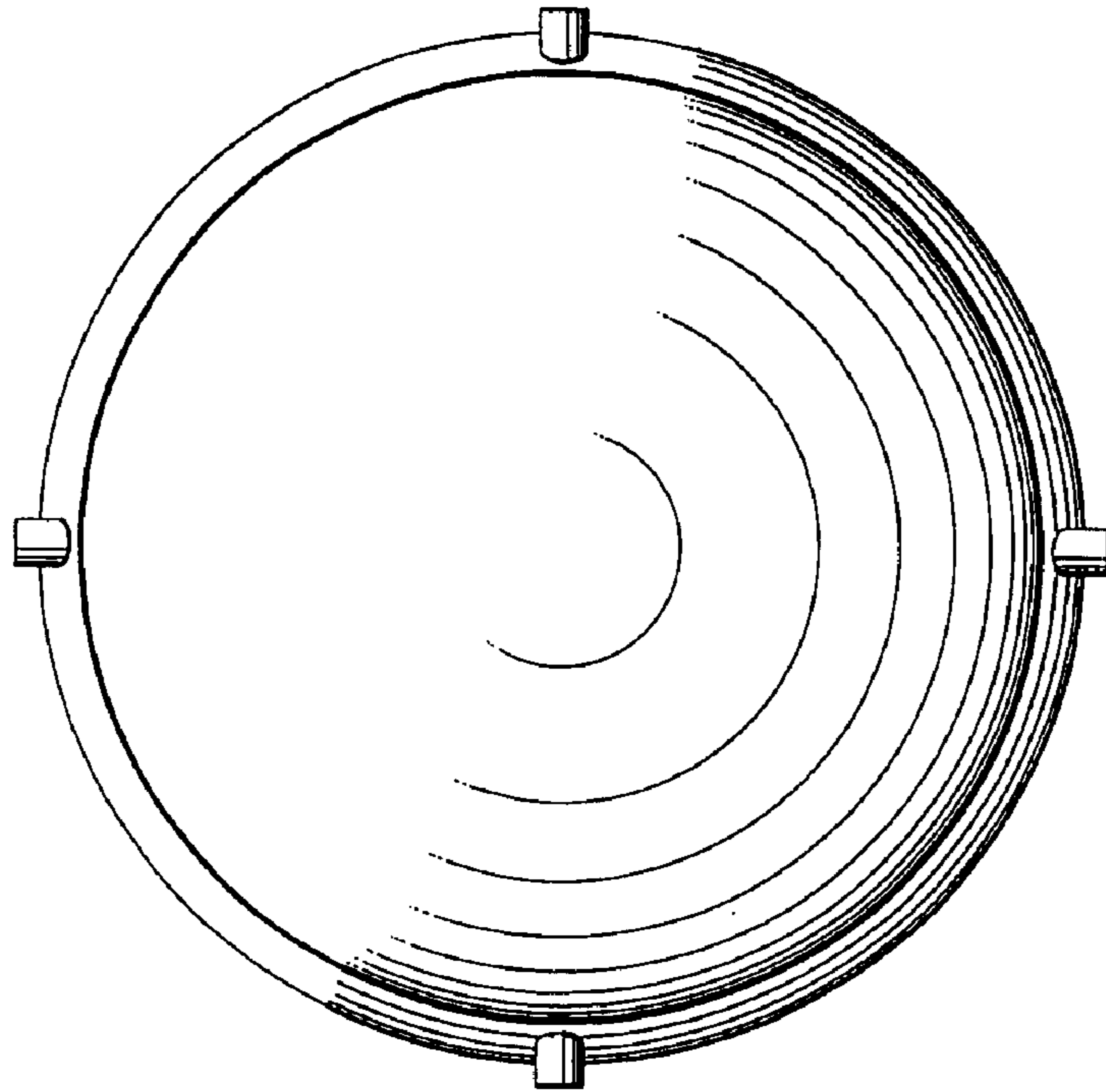


Fig. 4

