



US00D535047S

(12) **United States Design Patent**  
**Miranda**

(10) **Patent No.:** **US D535,047 S**

(45) **Date of Patent:** **\*\* Jan. 9, 2007**

(54) **LIGHTING FIXTURE**

(76) Inventor: **Pasquale Miranda**, 63-2nd St., Garden City, NY (US) 11530

(\*\*) Term: **14 Years**

(21) Appl. No.: **29/242,808**

(22) Filed: **Nov. 15, 2005**

(51) **LOC (8) Cl.** ..... **26-03**

(52) **U.S. Cl.** ..... **D26/81; D26/84**

(58) **Field of Classification Search** ..... D26/80-92;  
362/147, 404-406

See application file for complete search history.

(56) **References Cited**

**U.S. PATENT DOCUMENTS**

D45,020 S	*	12/1913	Plaut	.....	D26/90
D66,707 S	*	2/1925	Rosenblatt	.....	D26/144
D70,561 S	*	7/1926	Holz	.....	D26/84
D74,915 S	*	4/1928	Boehringer	.....	D26/81
D79,412 S	*	9/1929	Aglow	.....	D26/81
D384,432 S	*	9/1997	Octavio	.....	D26/84
D408,096 S	*	4/1999	Dolan	.....	D26/84

D453,229 S	*	1/2002	Phillips	.....	D26/81
D520,174 S	*	5/2006	Chen	.....	D26/81

\* cited by examiner

*Primary Examiner*—Clare E Heflin

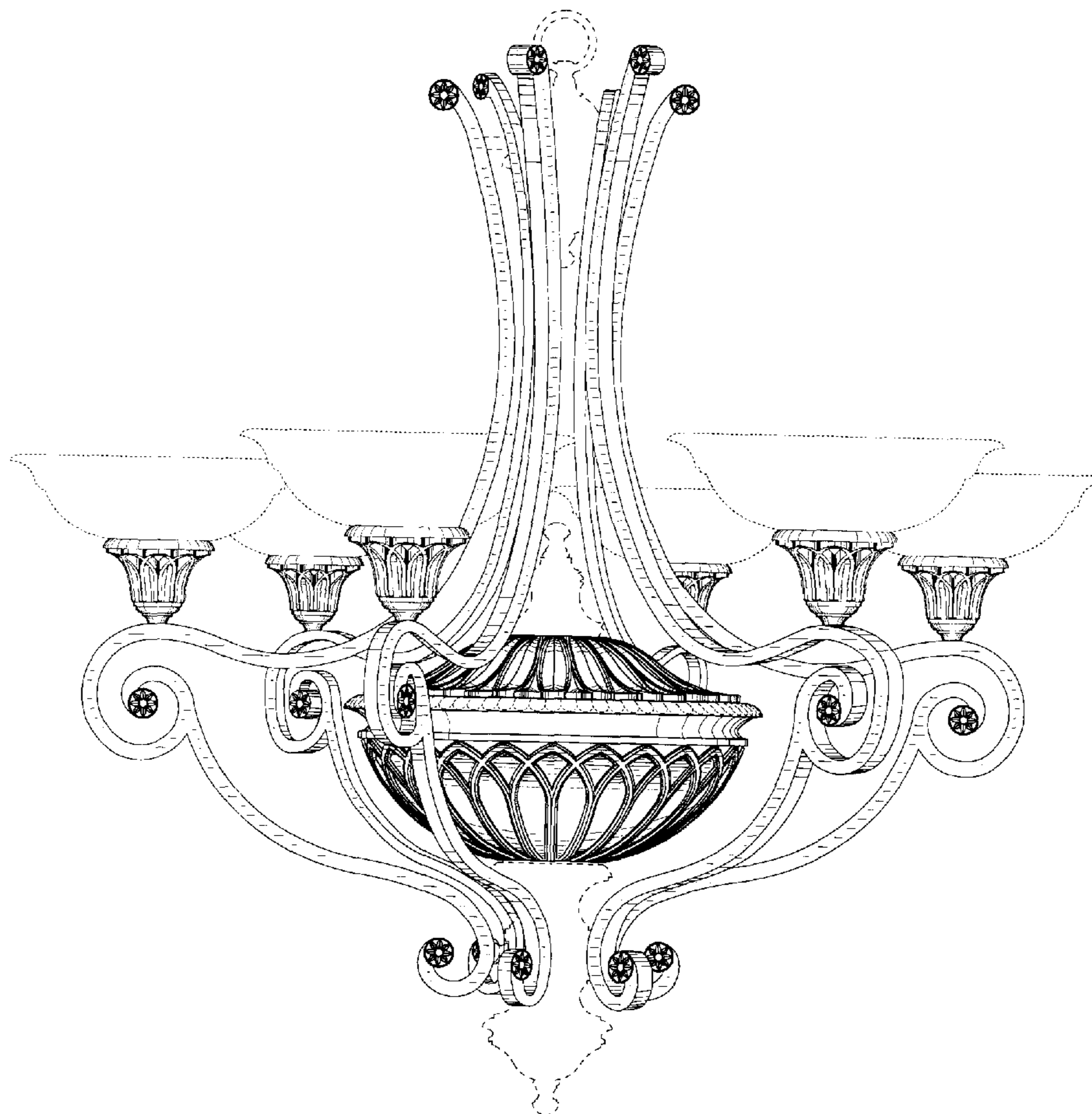
(57) **CLAIM**

The ornamental design of a lighting fixture, as shown and described.

**DESCRIPTION**

FIG. 1 is a perspective view of lighting fixture showing my new design;  
 FIG. 2 is a side elevational view showing the front and rear arms removed for illustrative purposes only;  
 FIG. 3 is a top plan view thereof;  
 FIG. 4 is a bottom plan view thereof;  
 FIG. 5 is a partial detail view of fitter thereof;  
 FIG. 6 is a partial detail view of cage thereof; and,  
 FIG. 7 is a partial detail view of leaf thereof.  
 The broken-line showing of environmental structures in FIGS. 1-4 is for illustrative purposes only and forms no part of the claimed design.

**1 Claim, 5 Drawing Sheets**



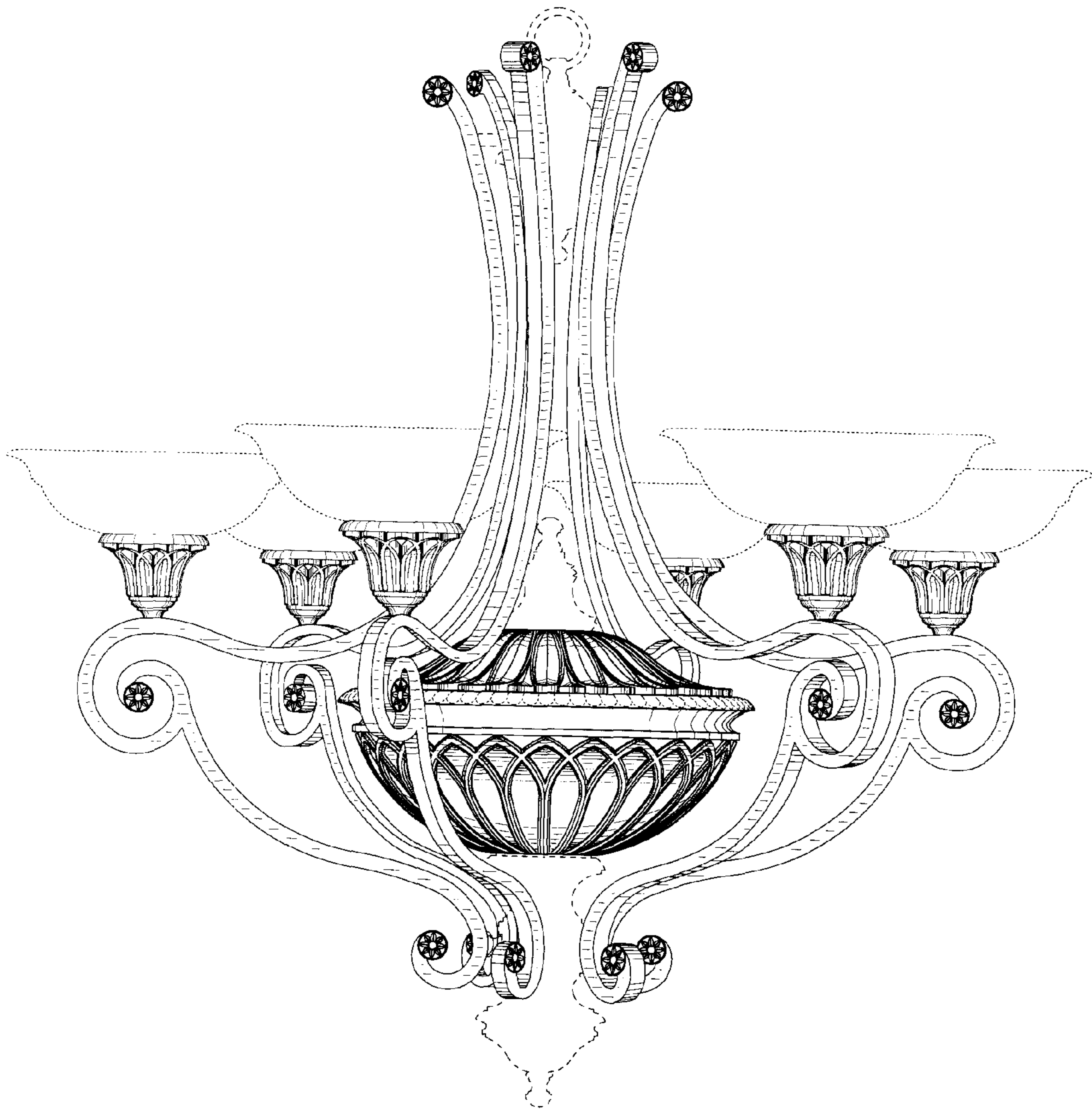


FIG. 1

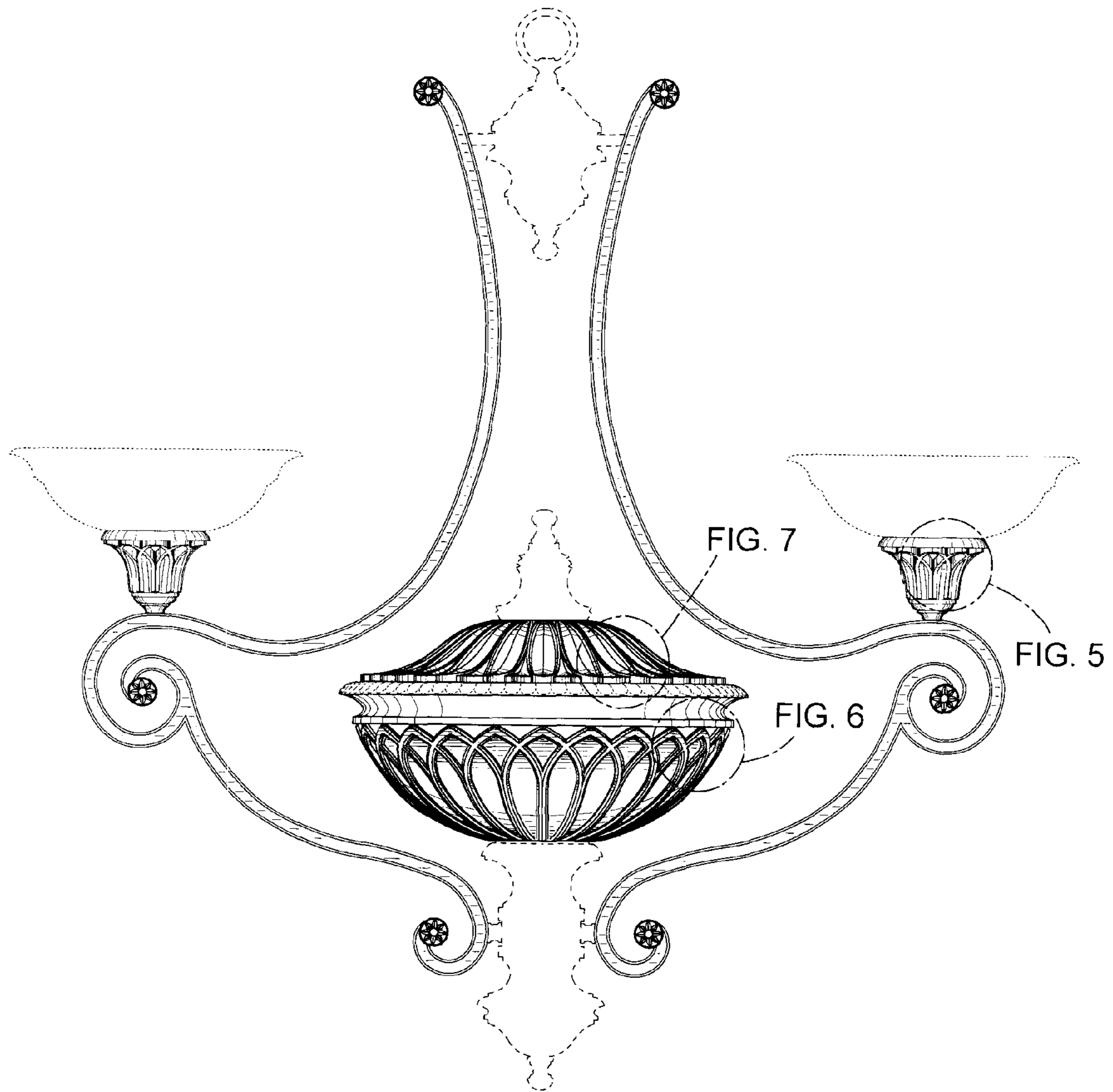


FIG. 2



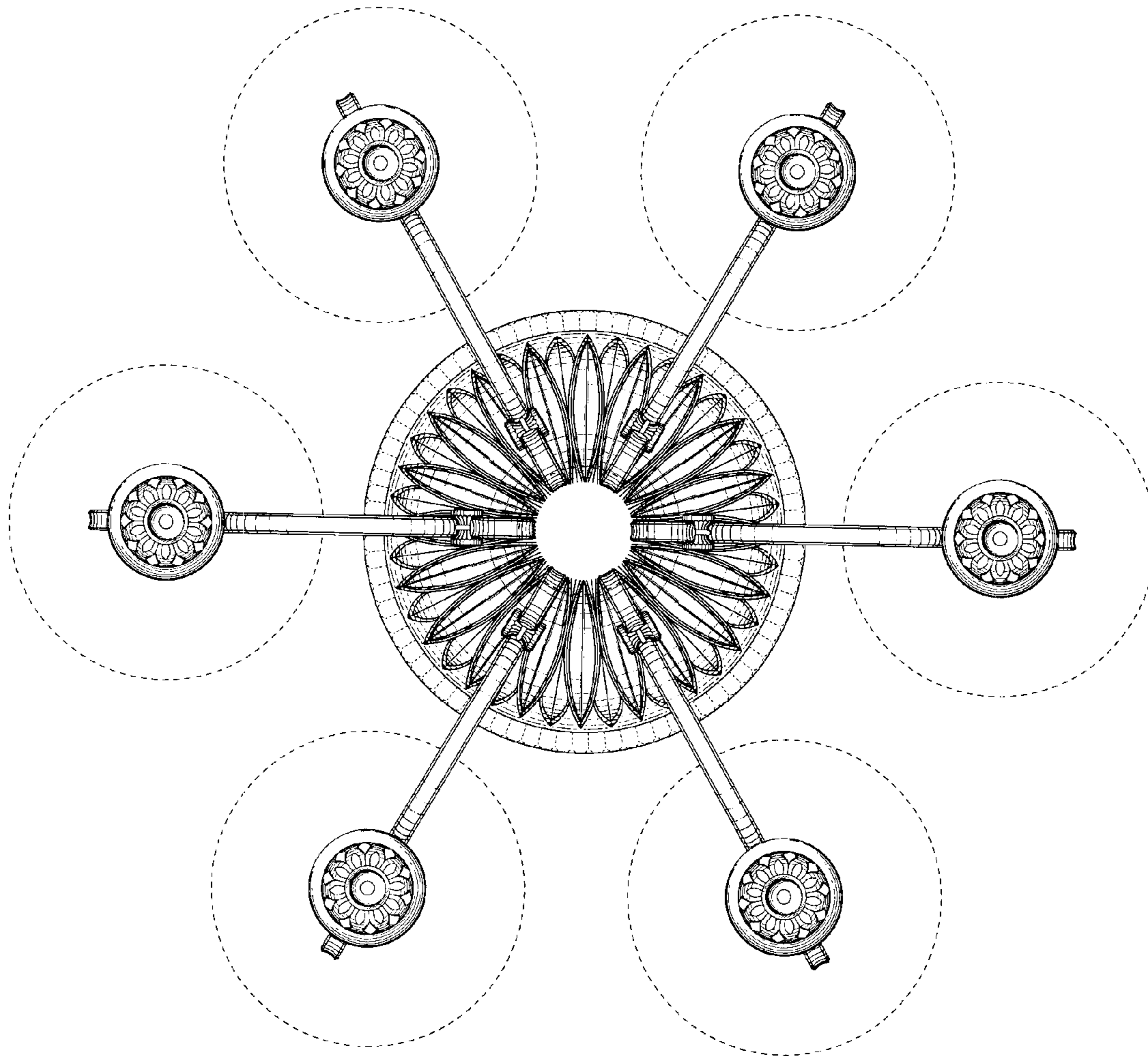


FIG. 3

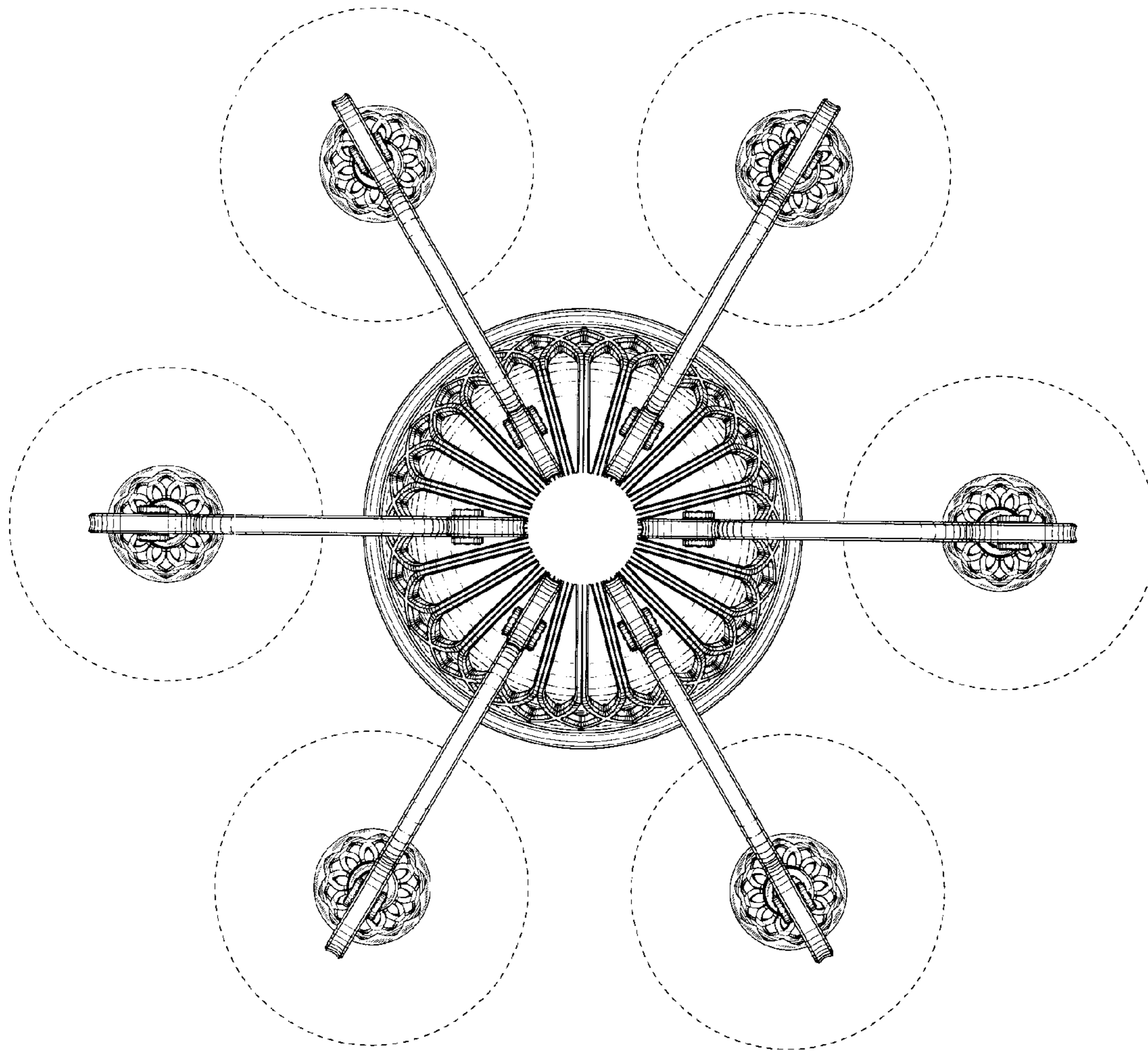
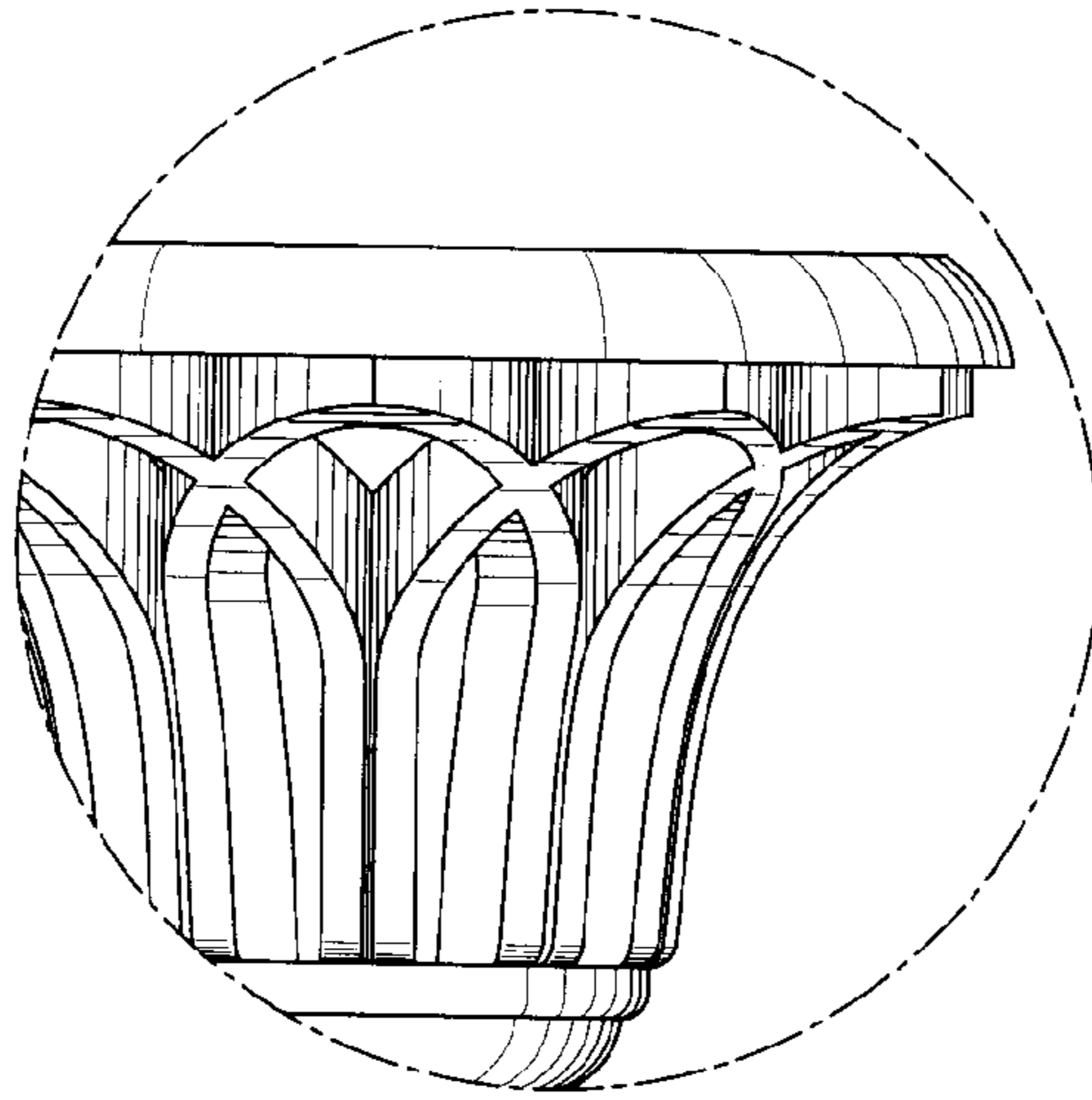
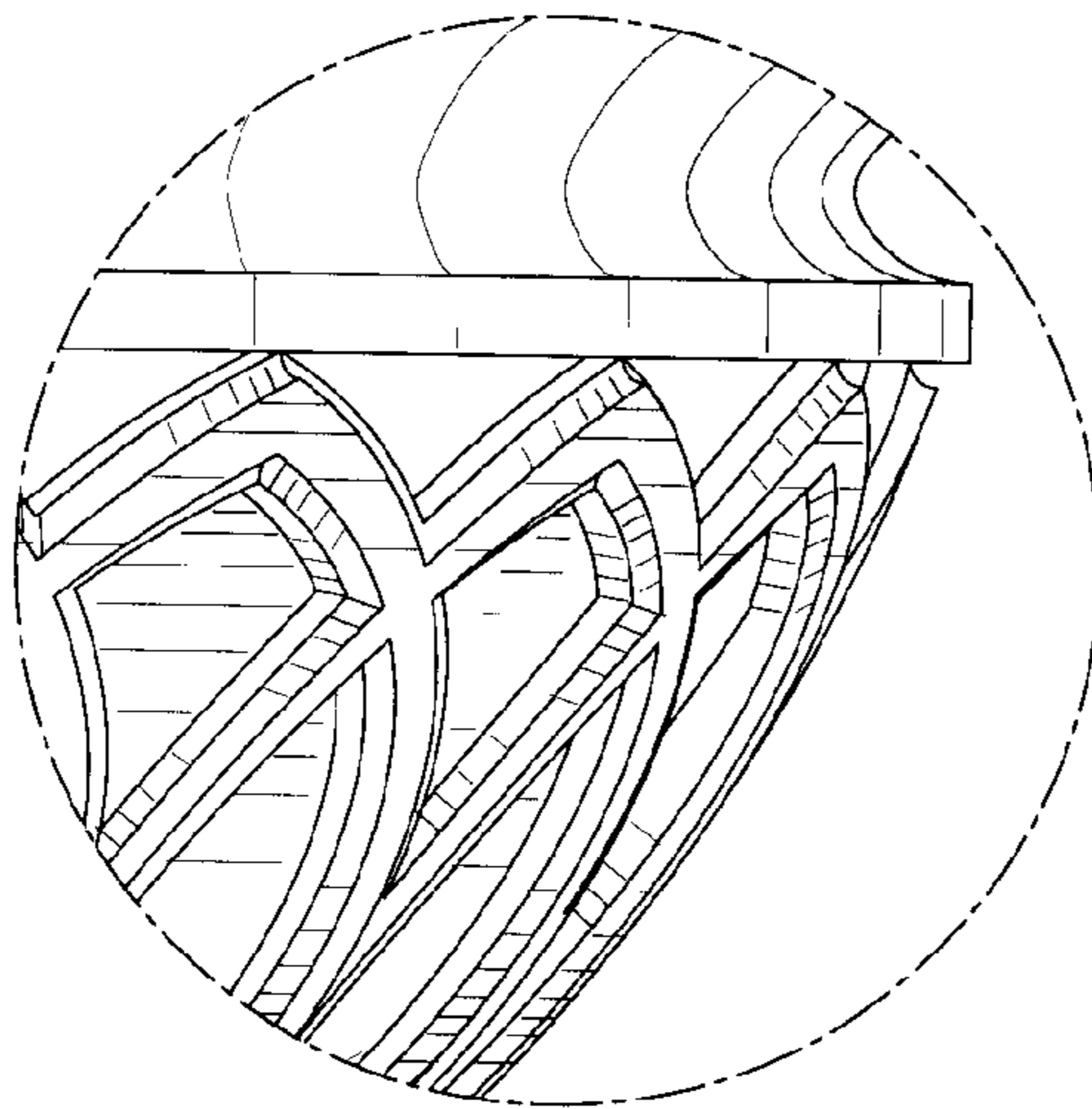


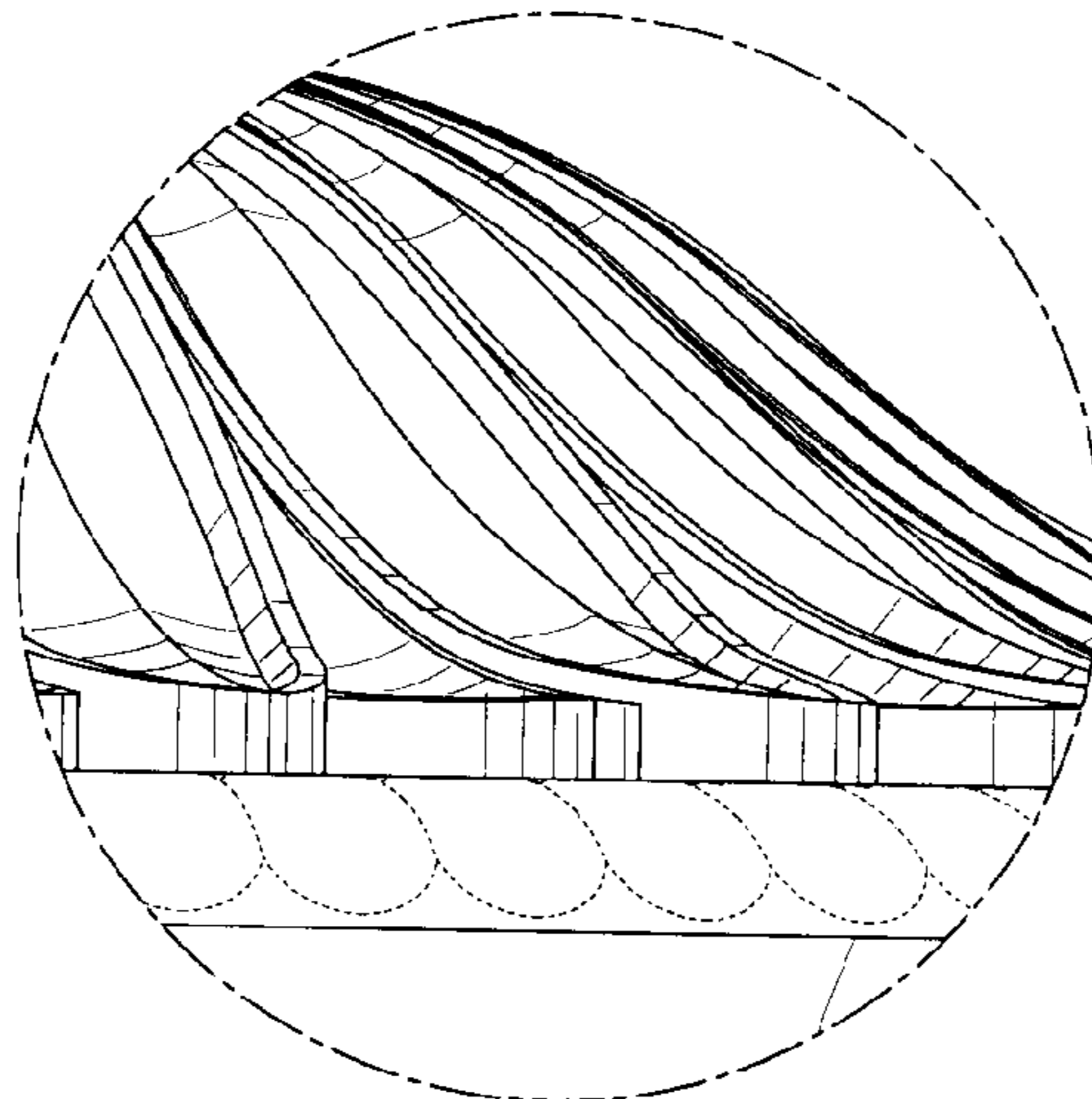
FIG. 4



**FIG. 5**



**FIG. 6**



**FIG. 7**