



US00D535046S

(12) **United States Design Patent**
Smith et al.

(10) **Patent No.:** **US D535,046 S**
(45) **Date of Patent:** **** Jan. 9, 2007**

(54) **ILLUMINATING DEVICE**

(75) Inventors: **John Smith**, San Francisco, CA (US);
Raymond Clepper, Brooklyn, NY
(US); **David Nelson**, Las Vegas, NV
(US)

(73) Assignee: **Sol-Light, LLC**, Las Vegas, NV (US)

(**) Term: **14 Years**

(21) Appl. No.: **29/243,305**

(22) Filed: **Nov. 23, 2005**

(51) **LOC (8) Cl.** **26-05**

(52) **U.S. Cl.** **D26/60; D26/62**

(58) **Field of Classification Search** D26/28,
D26/37, 39, 44, 57, 73, 60-65; 362/98, 99,
362/197, 198, 157, 171-174, 473-476, 523,
362/545, 183-208

See application file for complete search history.

(56) **References Cited**

U.S. PATENT DOCUMENTS

D301,753 S	*	6/1989	Iacovelli	D26/60
D330,436 S	*	10/1992	Chan	D26/62
D407,517 S	*	3/1999	Zeller	D26/60
D418,239 S	*	12/1999	Zeller	D26/60

(Continued)

OTHER PUBLICATIONS

- ZELCO, Long Reach Flexible Flashlight, DiversityBusiness.com, 1 page, date unknown, but prior to filing.
- ZELCO, Itty Bitty Book Light Led Edition, Diversity Business.com, 1 page, date unknown, but prior to filing.
- ZELCO, Folio™ The Lighted Clipboard Bookstand, DiversityBusiness.com, 1 page, date unknown, but prior to filing.
- ZELCO, The Bugless Lantern, DiversityBusiness.com, 1 page, date unknown, but prior to filing.
- ZELCO, Rubberneck Clip Lite, DiversityBusiness.com, 1 page, date unknown, but prior to filing.
- ZELCO, Micro Fluorescent Lantern, DiversityBusiness.com, 1 page, date unknown, but prior to filing.

ZELCO, The Audio ‘itty bitty’ Booklight, (battery version), DiversityBusiness.com, 1 page, date unknown, but prior to filing.

ZELCO, The Fluorescent ‘itty bitty’ Book Light, DiversityBusiness.com, 1 page, date unknown, but prior to filing.

ZELCO, Lumifier, DiversityBusiness.com, 1 page, date unknown, but prior to filing.

ZELCO, Little Laptop Light, DiversityBusiness.com, 1 page, date unknown, but prior to filing.

ZELCO, The BBQ Grill Light, DiversityBusiness.com, 1 page, date unknown, but prior to filing.

“Bright As Day!” Daylight Spectrum Booklite, Product No. SI292SIL, sharperimage.com, 2 pages, date unknown, but prior to filing.

High-Brightness Dual LED Booklight, Product No. SI289BLK, sharperimage.com, 2 pages, date unknown, but prior to filing.

Opamerica, Ultralife Reading Light, opamerica.com, 4 pages, date unknown, but prior to filing.

Primary Examiner—Clare E Heflin

(74) *Attorney, Agent, or Firm*—Banner & Witcoff, Ltd.

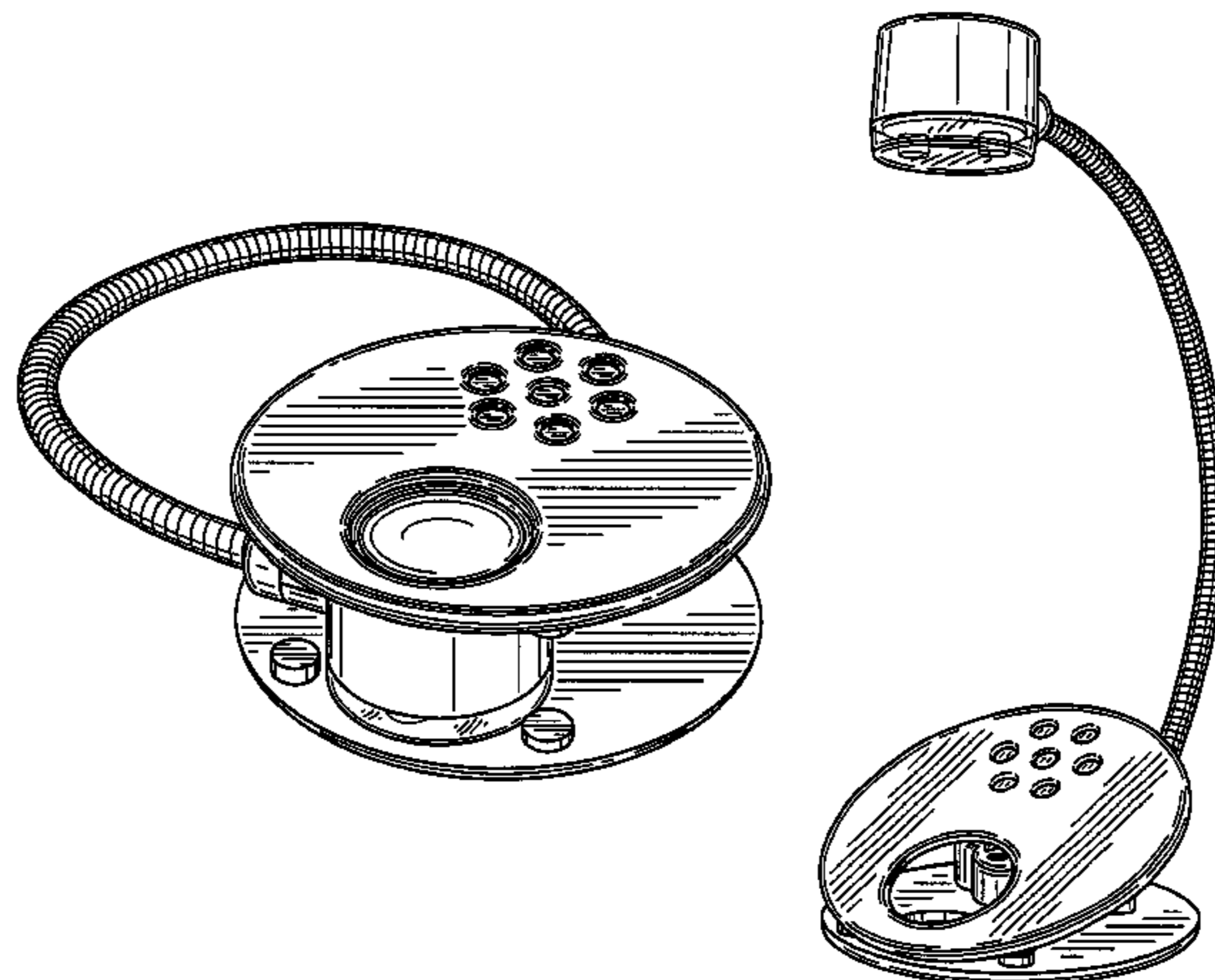
(57) **CLAIM**

The ornamental design for an illuminating device, as shown and described.

DESCRIPTION

FIG. 1 is a front perspective view of a an illuminating device showing our new design;
 FIG. 2 is a top view thereof;
 FIG. 3 is a bottom view thereof;
 FIG. 4 is a front view thereof;
 FIG. 5 is a rear view thereof;
 FIG. 6 is a right side view thereof;
 FIG. 7 is a left side view thereof;
 FIG. 8 is a front perspective view of the illuminating device of FIGS. 1-7 in an extended position.
 FIG. 9 is another front view thereof;
 FIG. 10 is a rear view thereof;
 FIG. 11 is a right side view thereof;
 FIG. 12 is a left side view thereof; and
 FIG. 13 is a top side view thereof.

1 Claim, 11 Drawing Sheets



US D535,046 S

Page 2

U.S. PATENT DOCUMENTS

6,322,226 B1 *	11/2001	Dickson	362/98	2002/0071271 A1	6/2002	Naghi et al.
D498,322 S *	11/2004	Schnell	D26/60	2002/0131263 A1	9/2002	Naghi et al.
2001/0026445 A1	10/2001	Naghi et al.			2003/0081407 A1	5/2003	Bennett, Jr.
2002/0067609 A1	6/2002	Naghi et al.			2003/0179572 A1	9/2003	Schnell
2002/0071269 A1	6/2002	Naghi et al.			2003/0193795 A1	10/2003	Brown

* cited by examiner

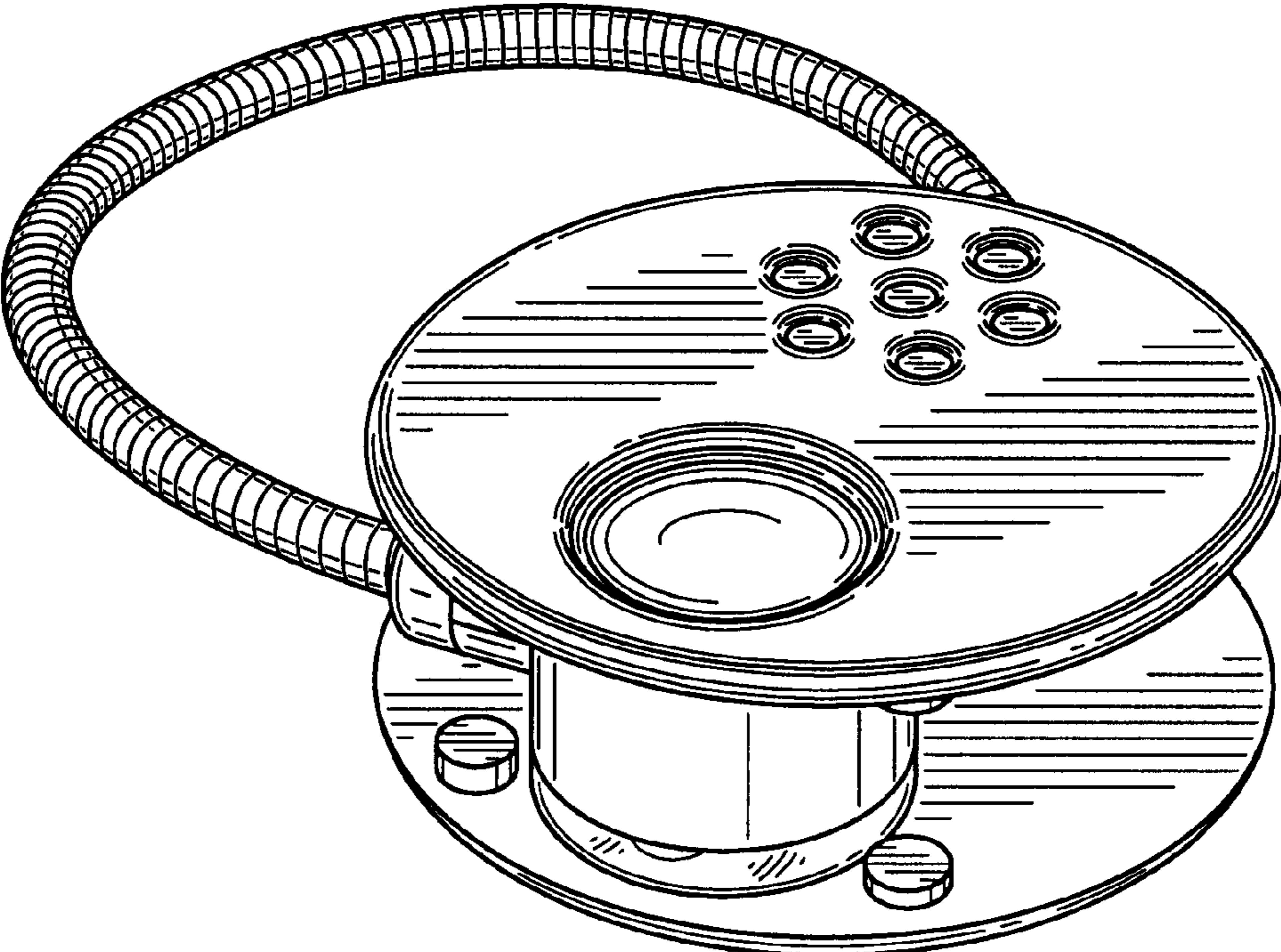


FIG. 1

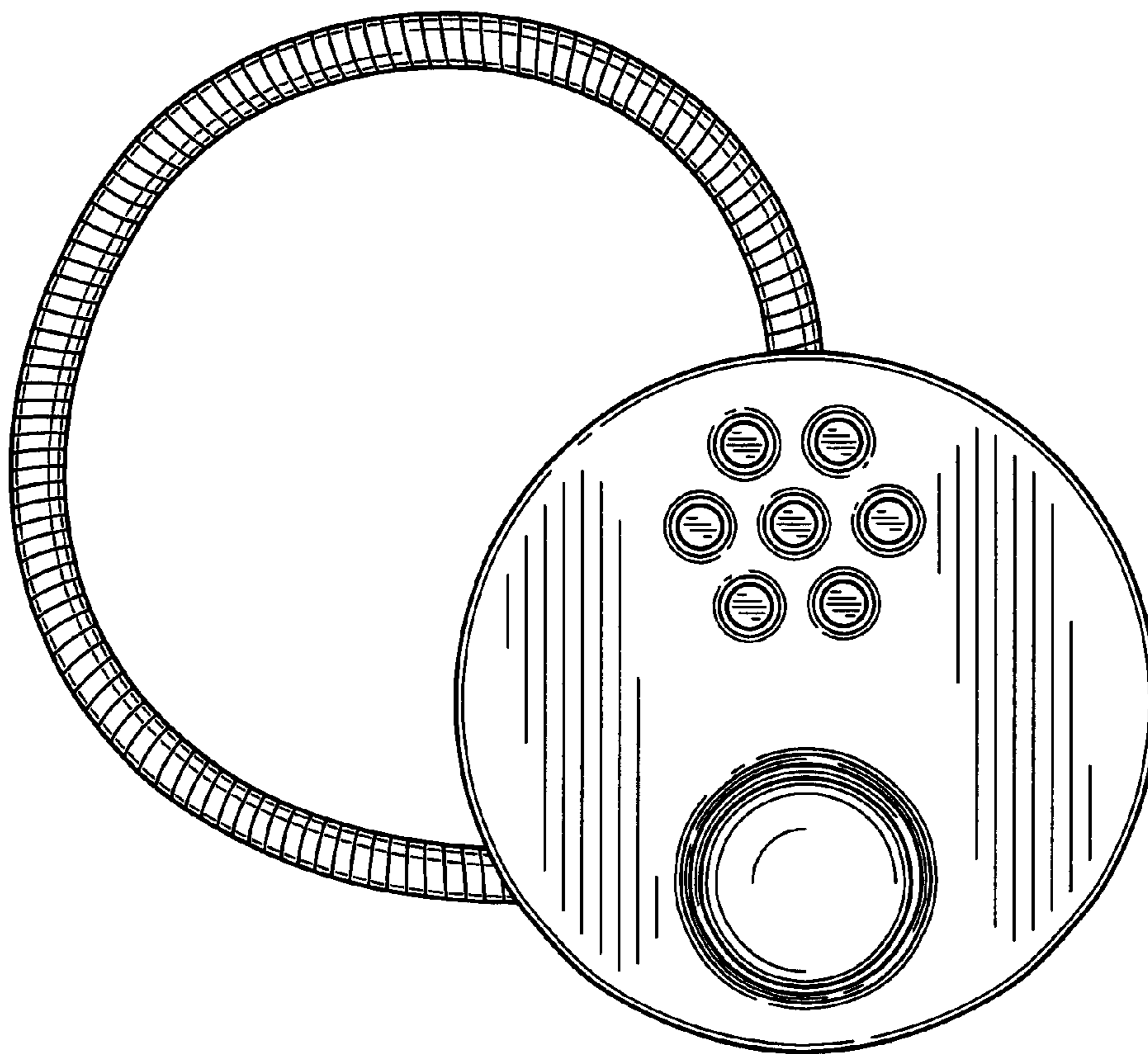


FIG. 2

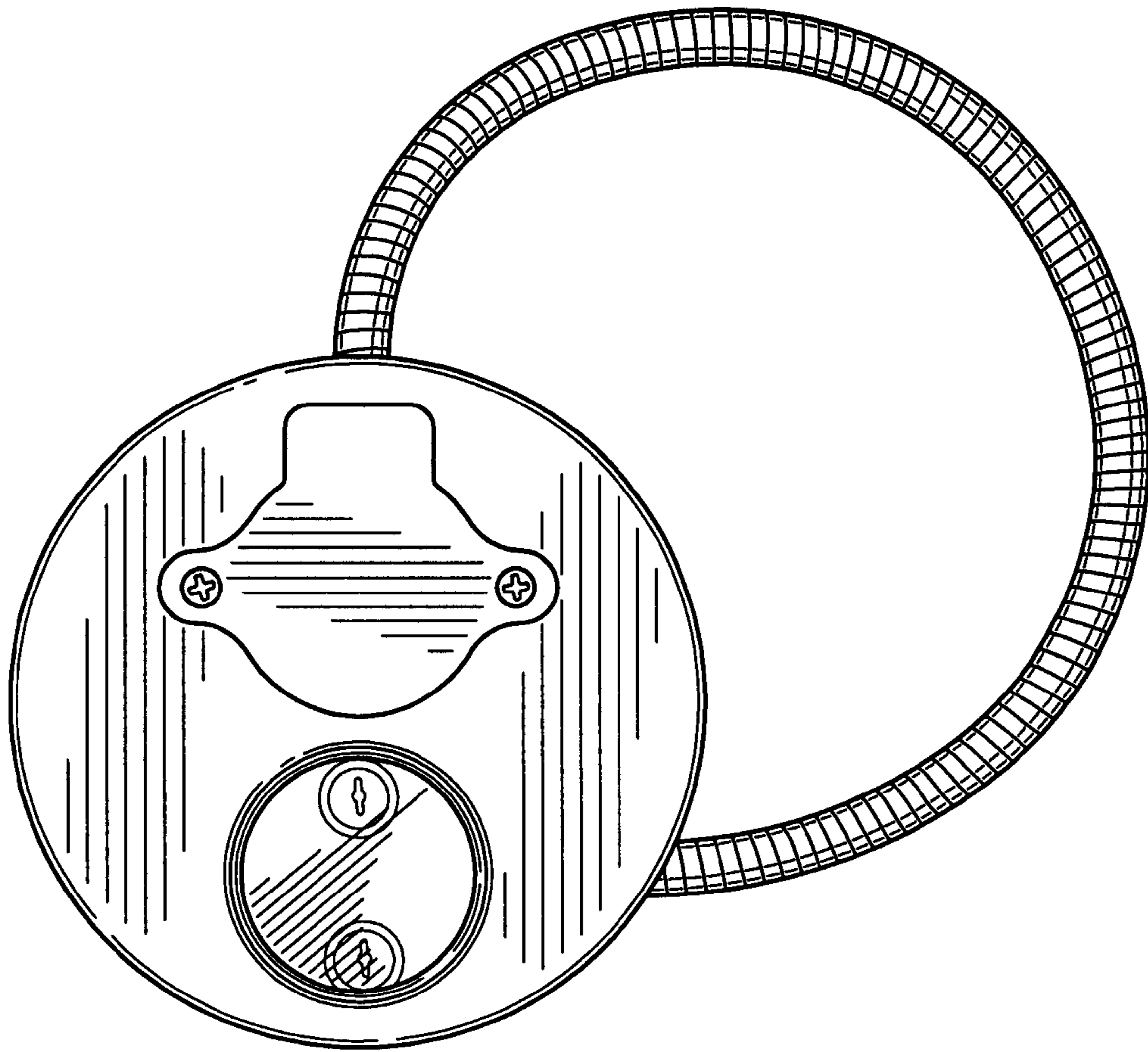


FIG. 3

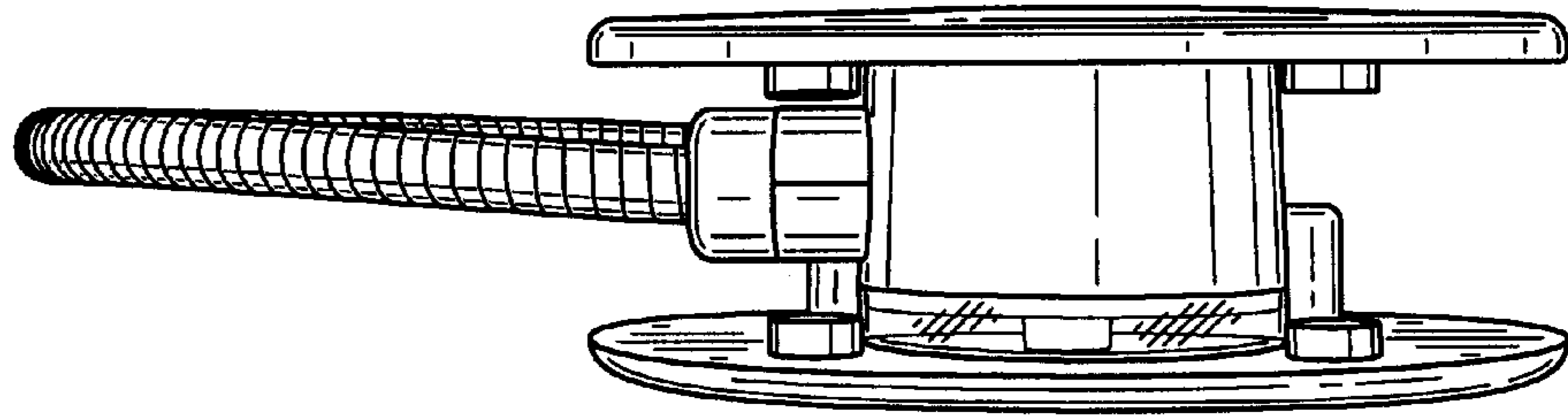


FIG. 4

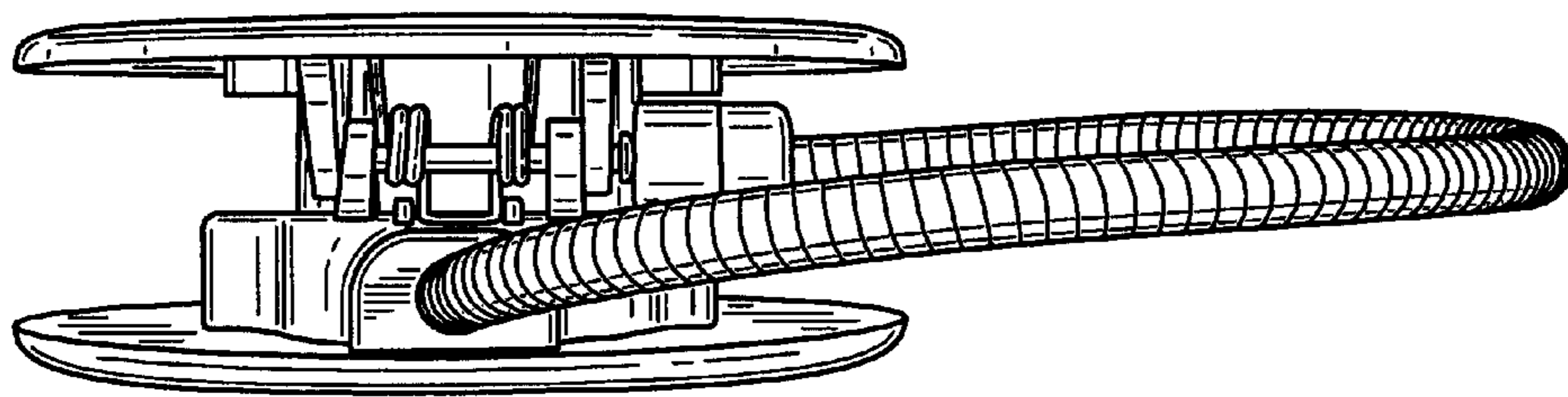


FIG. 5

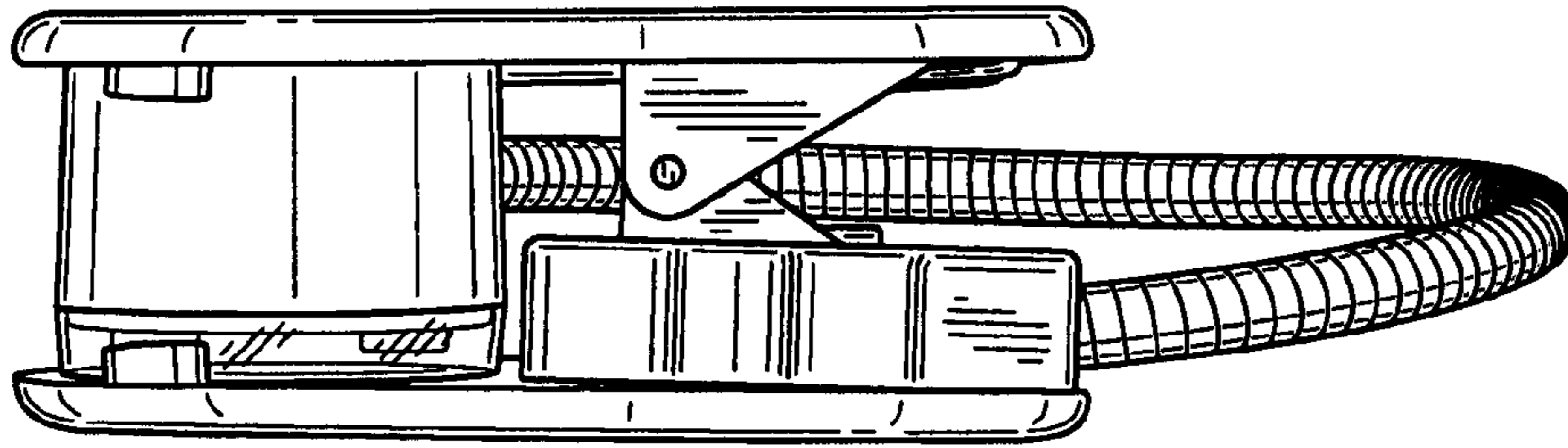


FIG. 6

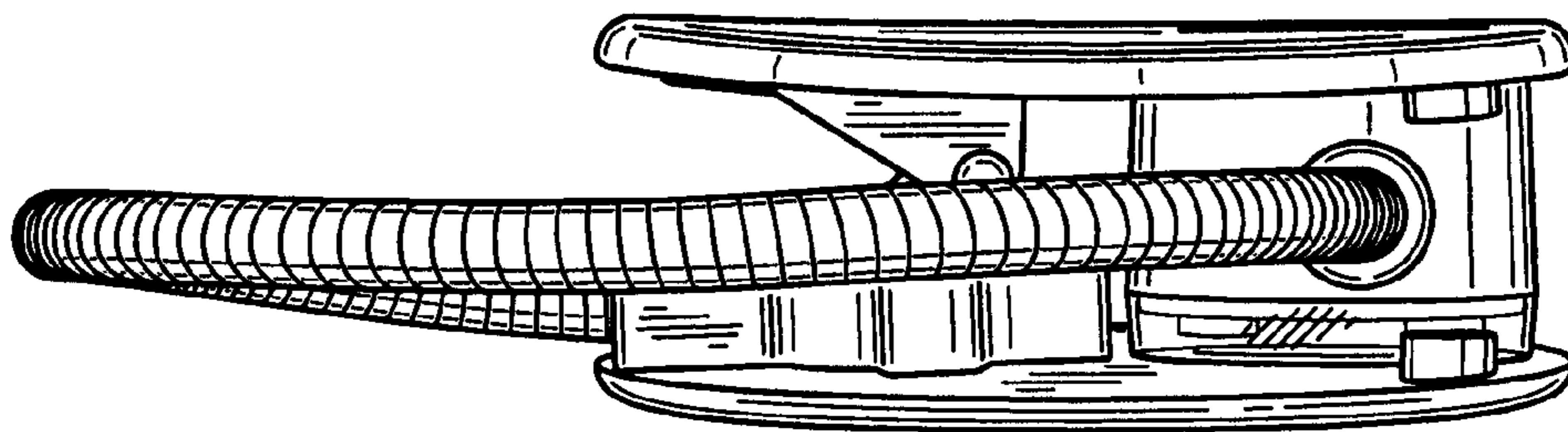


FIG. 7

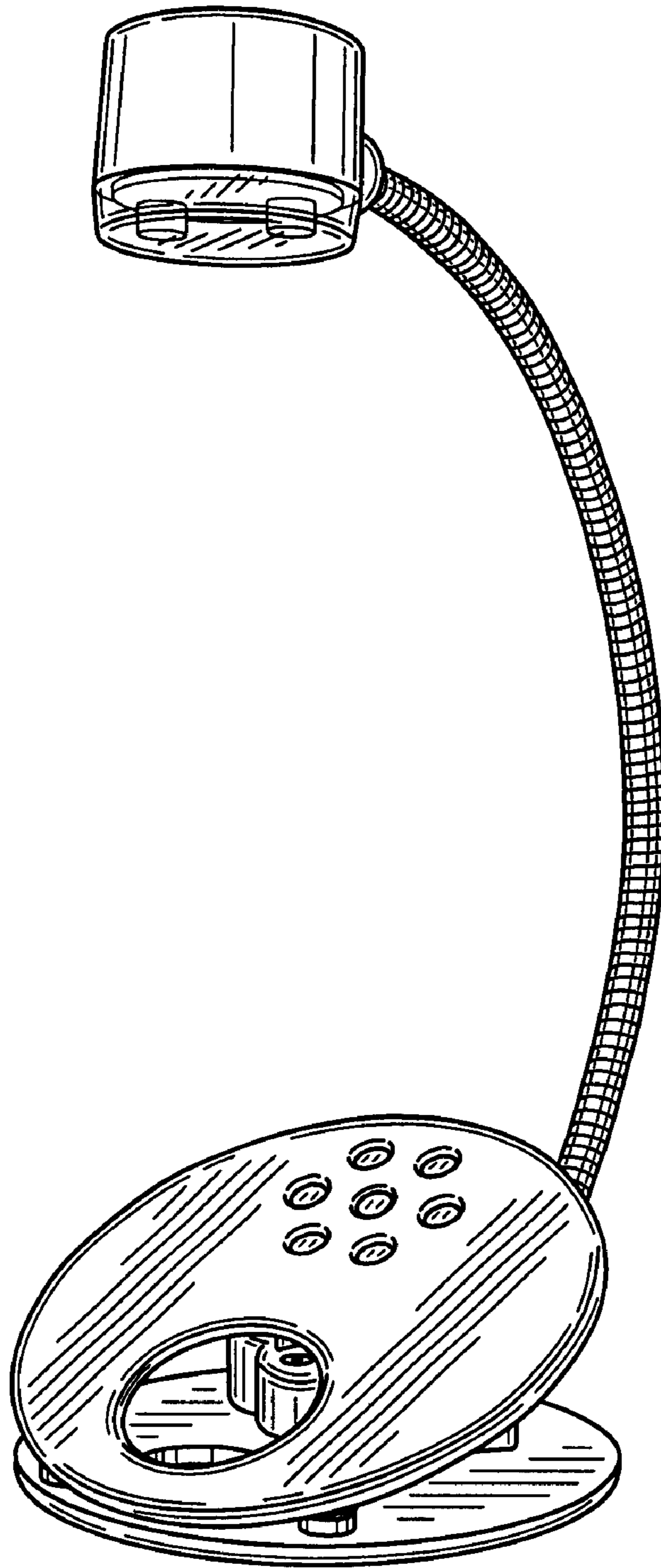


FIG. 8

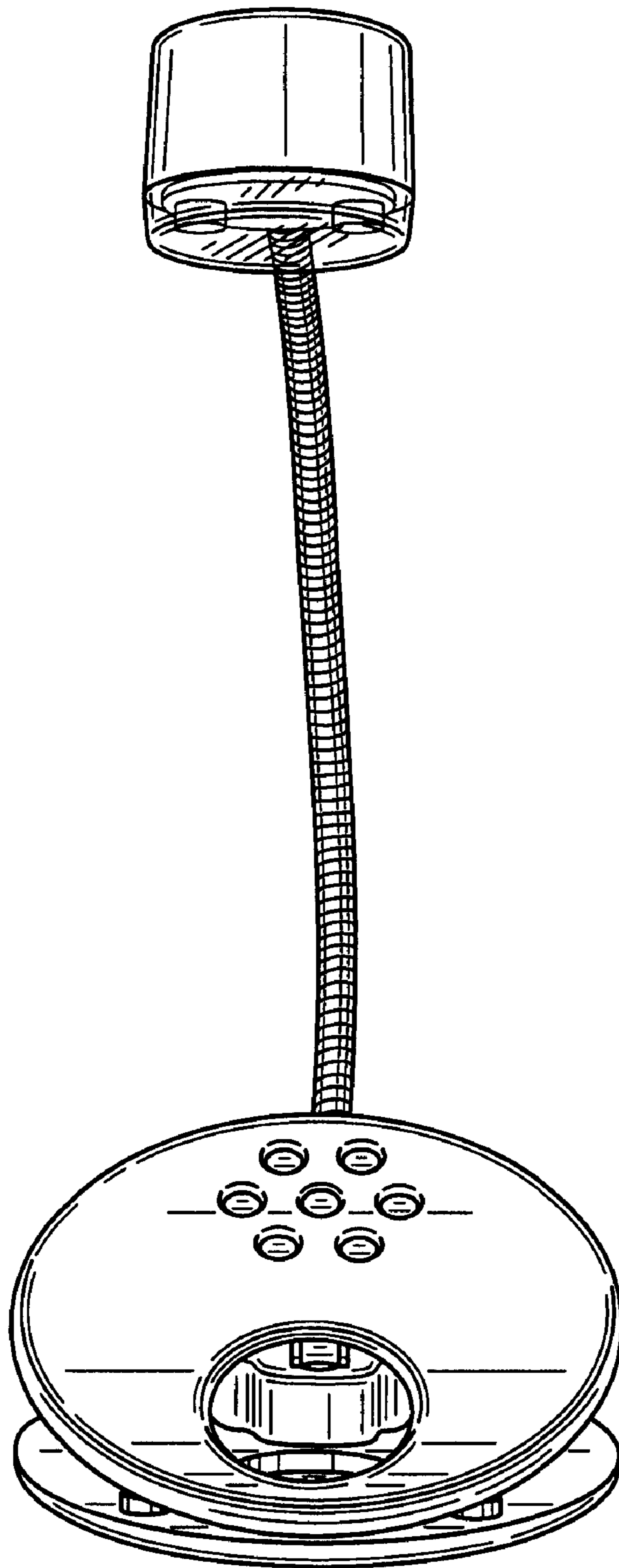


FIG. 9

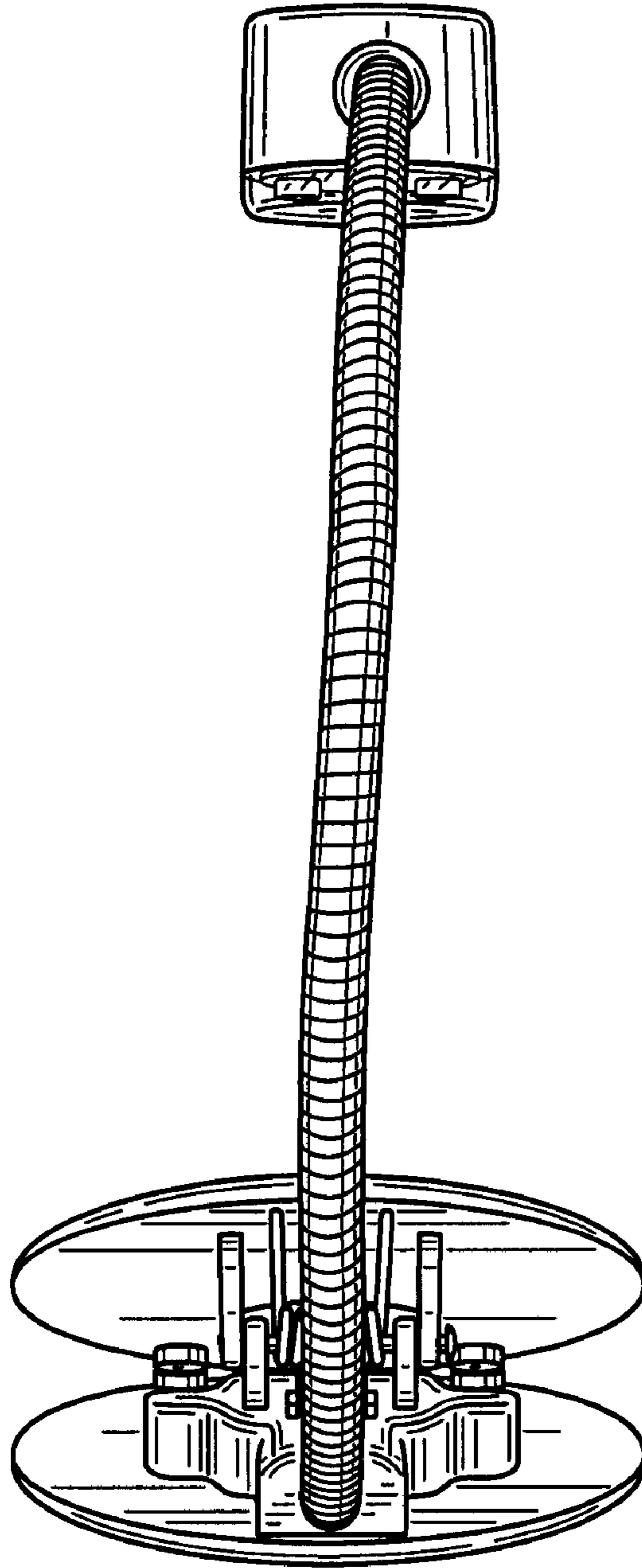


FIG. 10

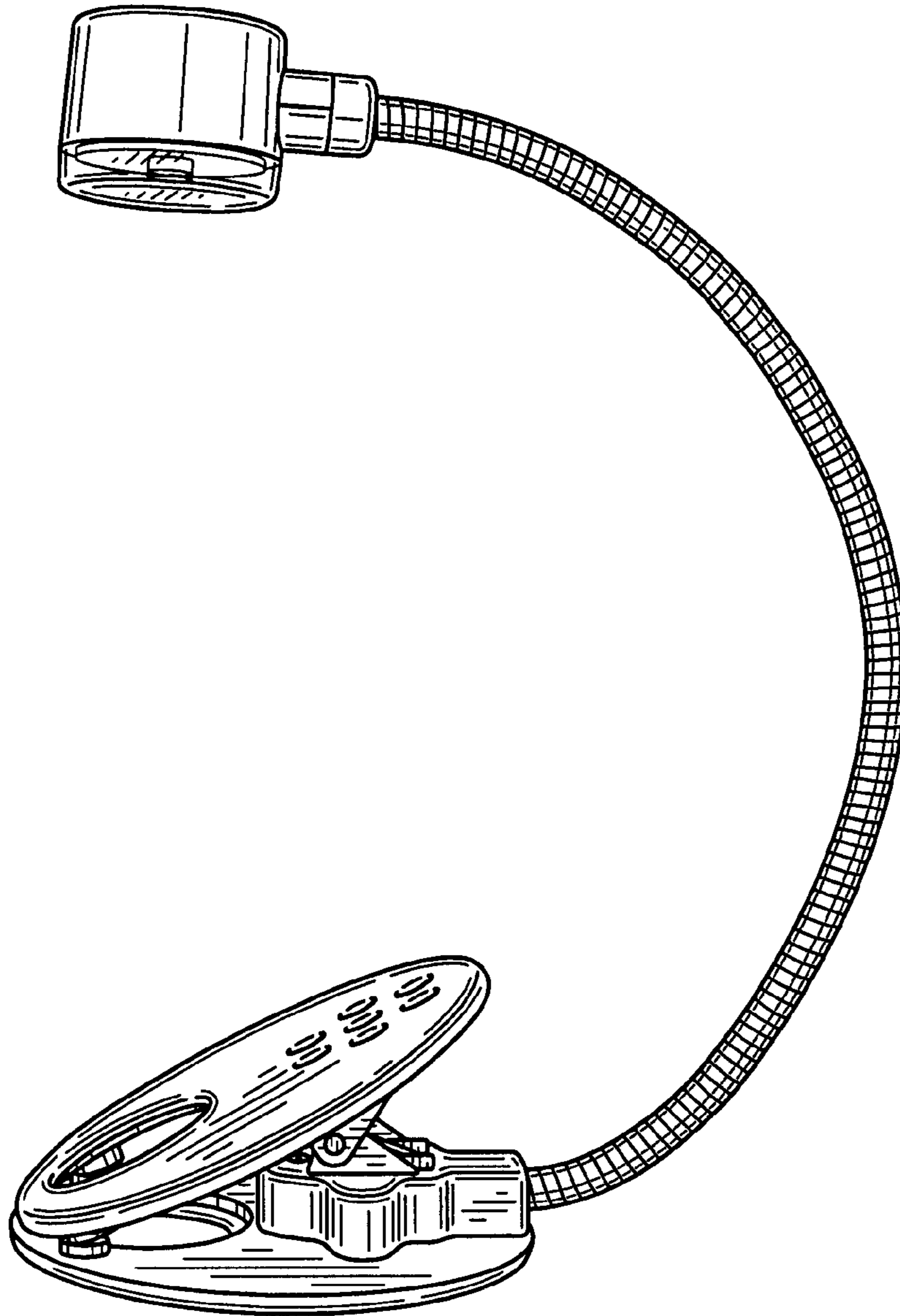


FIG. 11

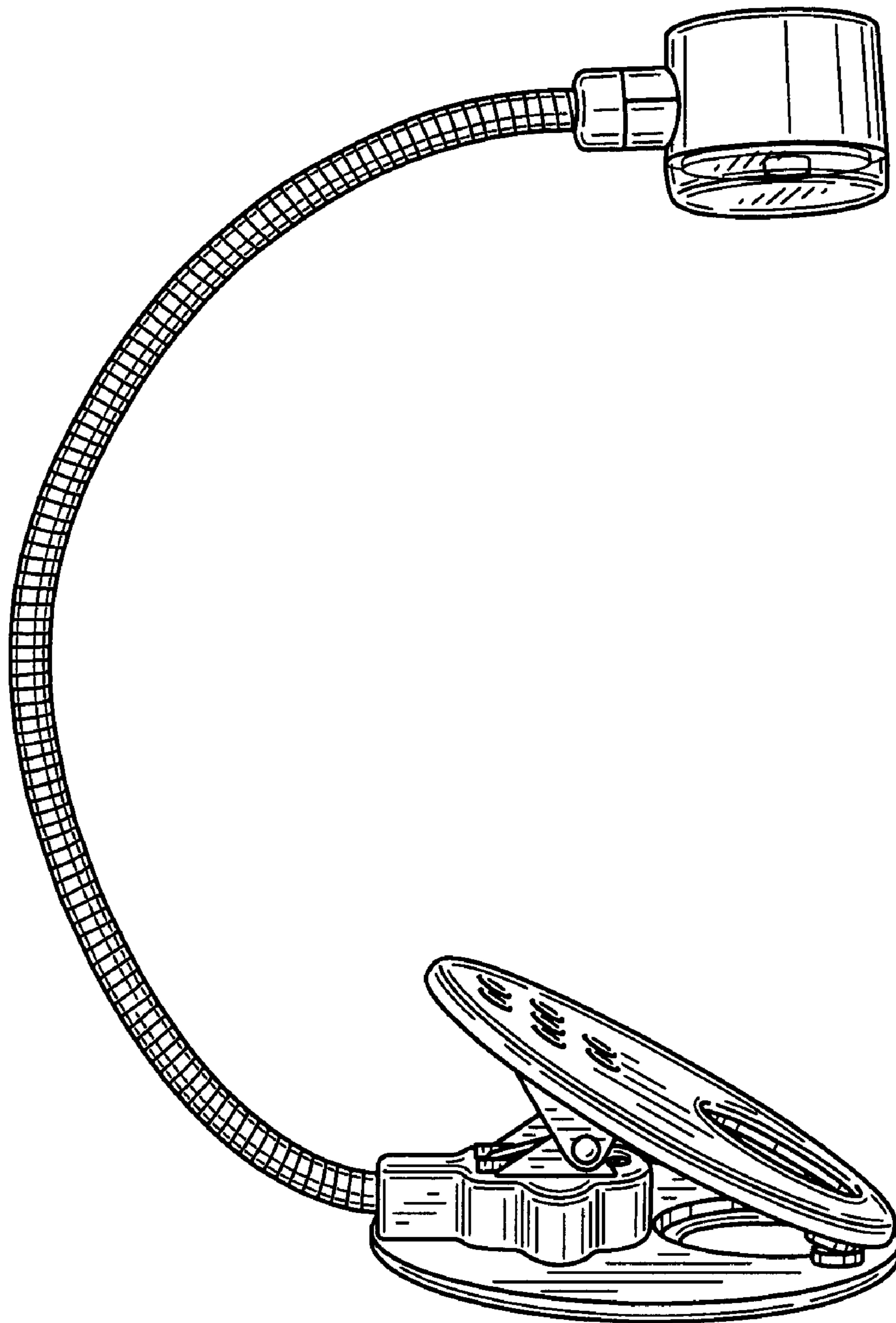


FIG. 12

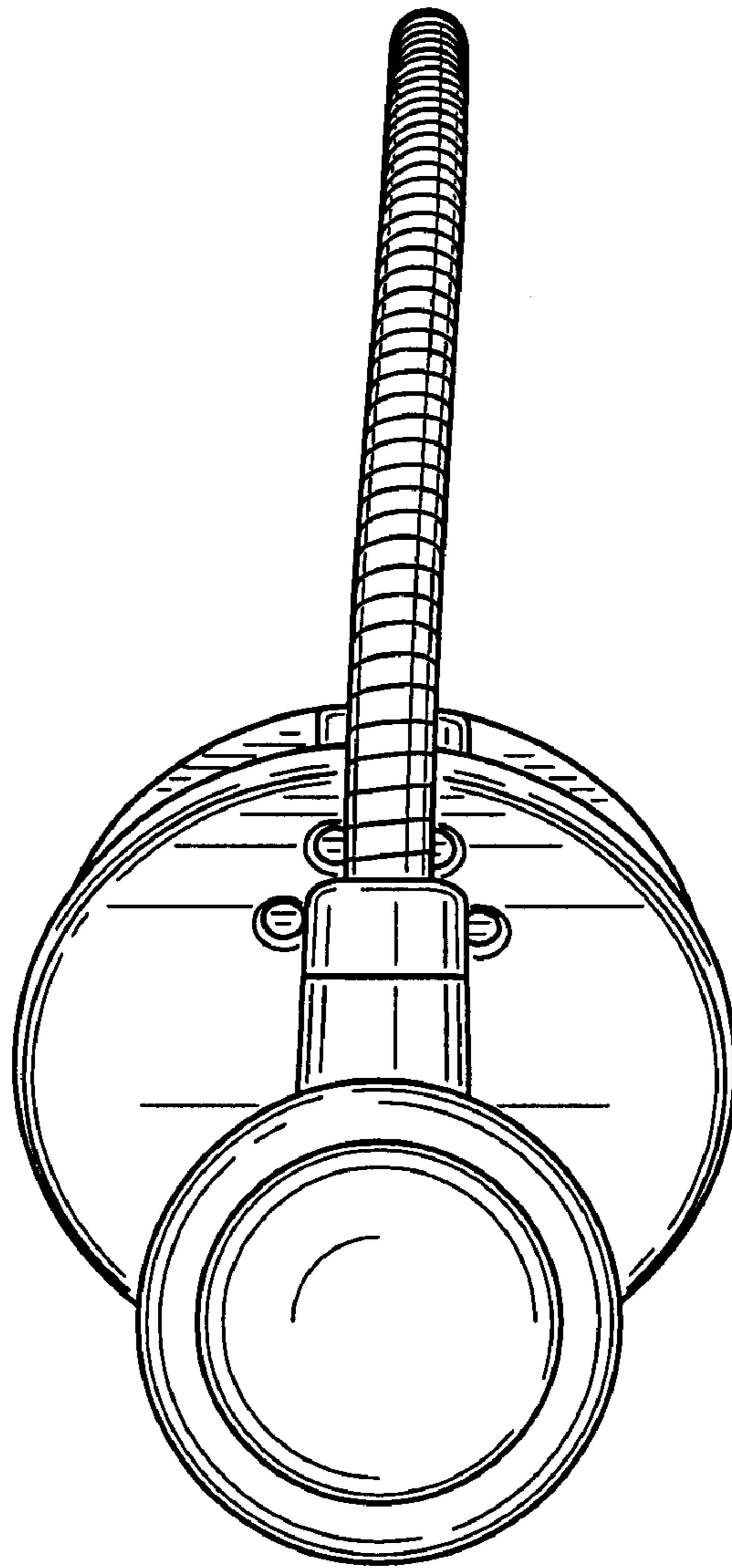


FIG. 13