



US00D535039S

(12) **United States Design Patent**
Sorokin

(10) **Patent No.:** **US D535,039 S**
(45) **Date of Patent:** **** Jan. 9, 2007**

- (54) **UNDERWATER LED LIGHT**
- (75) Inventor: **Jason A. Sorokin**, Woodridge (CA)
- (73) Assignee: **Consolidated Pool & Spa Industries Inc.**, Woodbridge
- (**) Term: **14 Years**
- (21) Appl. No.: **29/218,134**
- (22) Filed: **Nov. 30, 2004**
- (30) **Foreign Application Priority Data**
Nov. 22, 2004 (CA) 109132
- (51) **LOC (8) Cl.** **26-06**
- (52) **U.S. Cl.** **D26/24**
- (58) **Field of Classification Search** D26/24,
D26/37, 36, 39, 61, 93, 67, 104, 3, 2, 26,
D26/89; 362/157, 659, 226, 306, 158, 490,
362/186, 485, 296, 470, 101; D10/114, 115;
385/147; 315/291
See application file for complete search history.

- D388,726 S * 1/1998 Wu D10/115
- D402,772 S * 12/1998 Lodhie D26/26
- 5,984,494 A * 11/1999 Chapman et al. 362/470
- D424,715 S * 5/2000 Wu D26/2
- D434,510 S * 11/2000 Lodhie D26/2
- 6,510,277 B1 * 1/2003 Dongo 385/147
- D470,255 S * 2/2003 Lodhie D26/3
- 6,578,994 B1 * 6/2003 Beyerlein 362/490
- D484,270 S * 12/2003 Yiu D26/89
- 2002/0130627 A1 * 9/2002 Morgan et al. 315/291
- 2003/0048632 A1 * 3/2003 Archer 362/101

* cited by examiner

Primary Examiner—Alan P. Douglas
Assistant Examiner—Angela J. Lee

(57) **CLAIM**

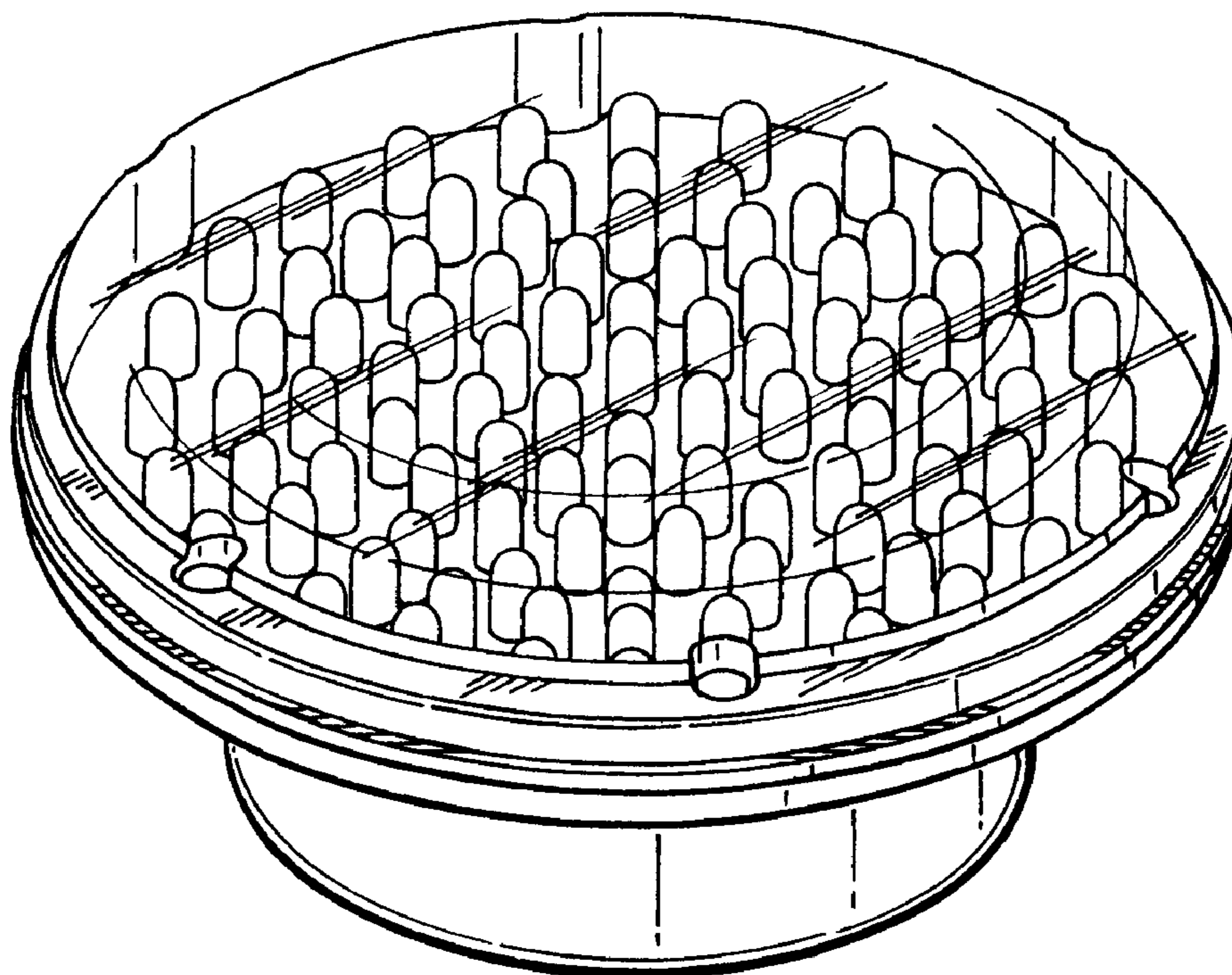
I claim the ornamental design for a underwater LED light, as shown.

DESCRIPTION

FIG. 1 is a perspective view of the underwater light emitting diode light;
FIG. 2 is a top plan view of the underwater light emitting diode light according to FIG. 1;
FIG. 3 is a front elevational view of the underwater light emitting diode light according to FIG. 1;
FIG. 4 is a bottom plan of the underwater light emitting diode light according to FIG. 1; and,
FIG. 5 is a side elevational view of the underwater light emitting diode light according to FIG. 1.

1 Claim, 3 Drawing Sheets

- (56) **References Cited**
U.S. PATENT DOCUMENTS
3,845,291 A * 10/1974 Poryrata 362/192
5,051,875 A * 9/1991 Johnson 362/101
5,483,428 A * 1/1996 Poppenheimer 362/101
D366,947 S * 2/1996 Brown D26/37
5,632,551 A * 5/1997 Roney et al. 362/485
D385,051 S * 10/1997 Wu D26/2



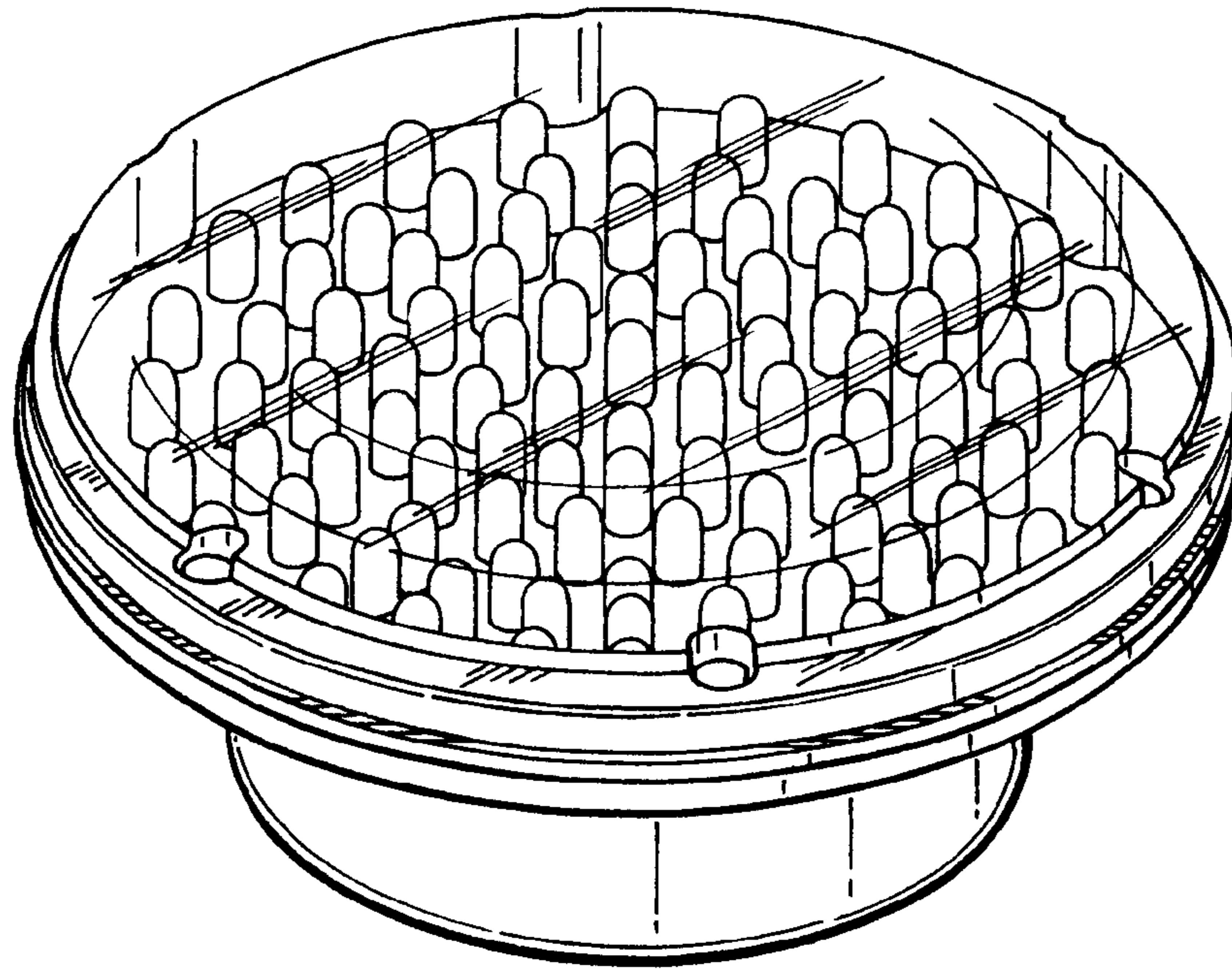


FIG. 1.

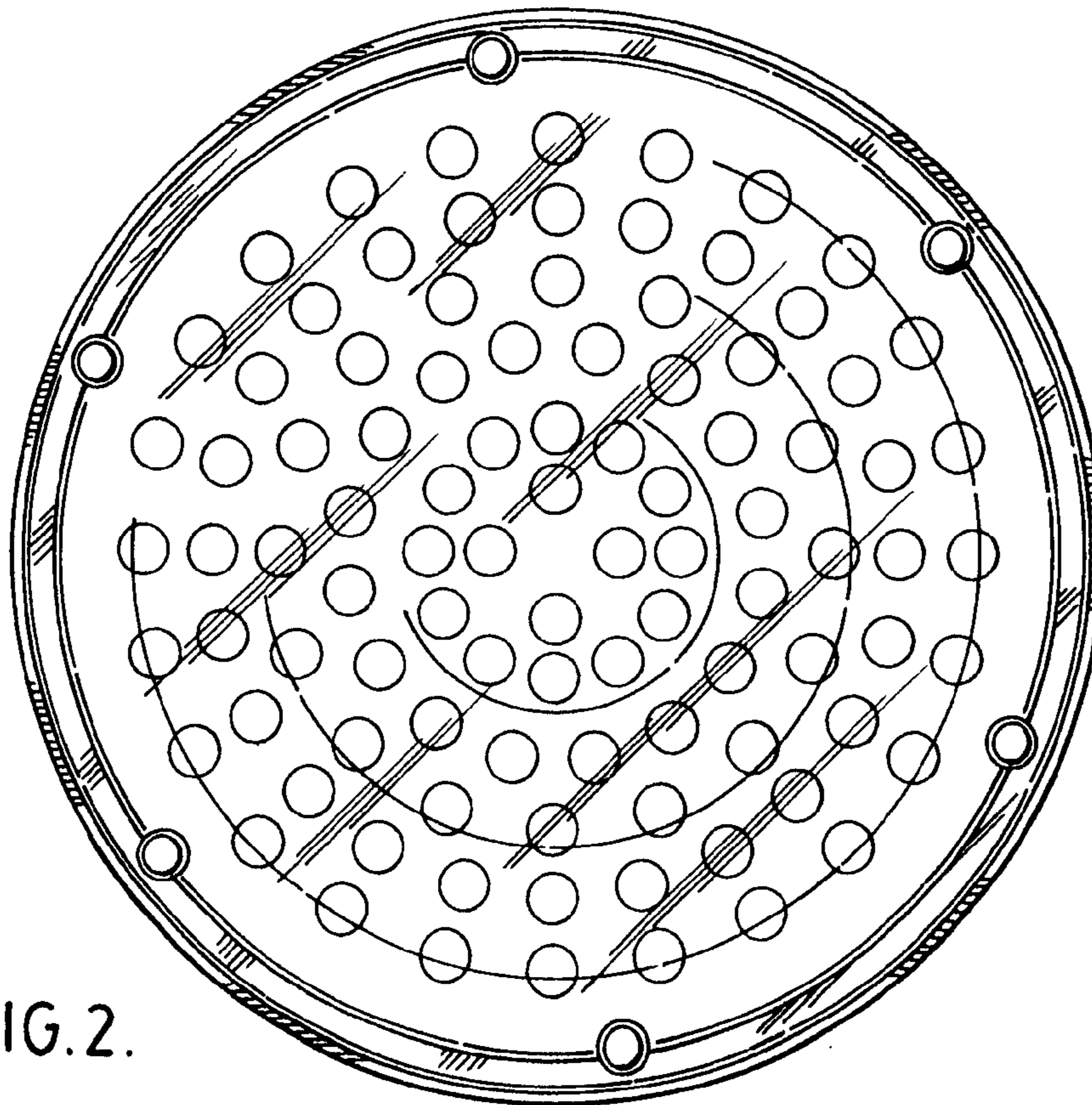


FIG. 2.

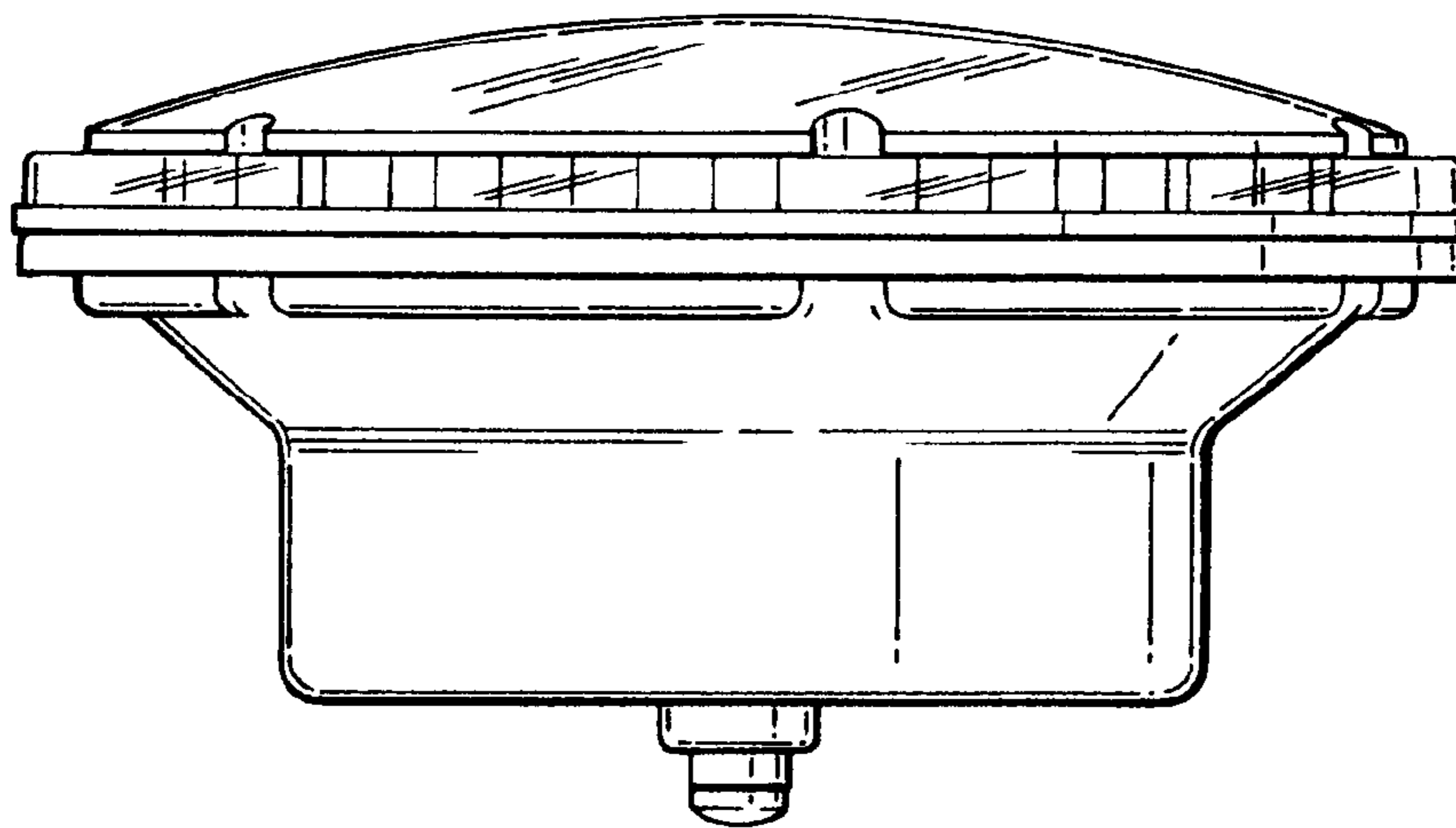


FIG. 3.

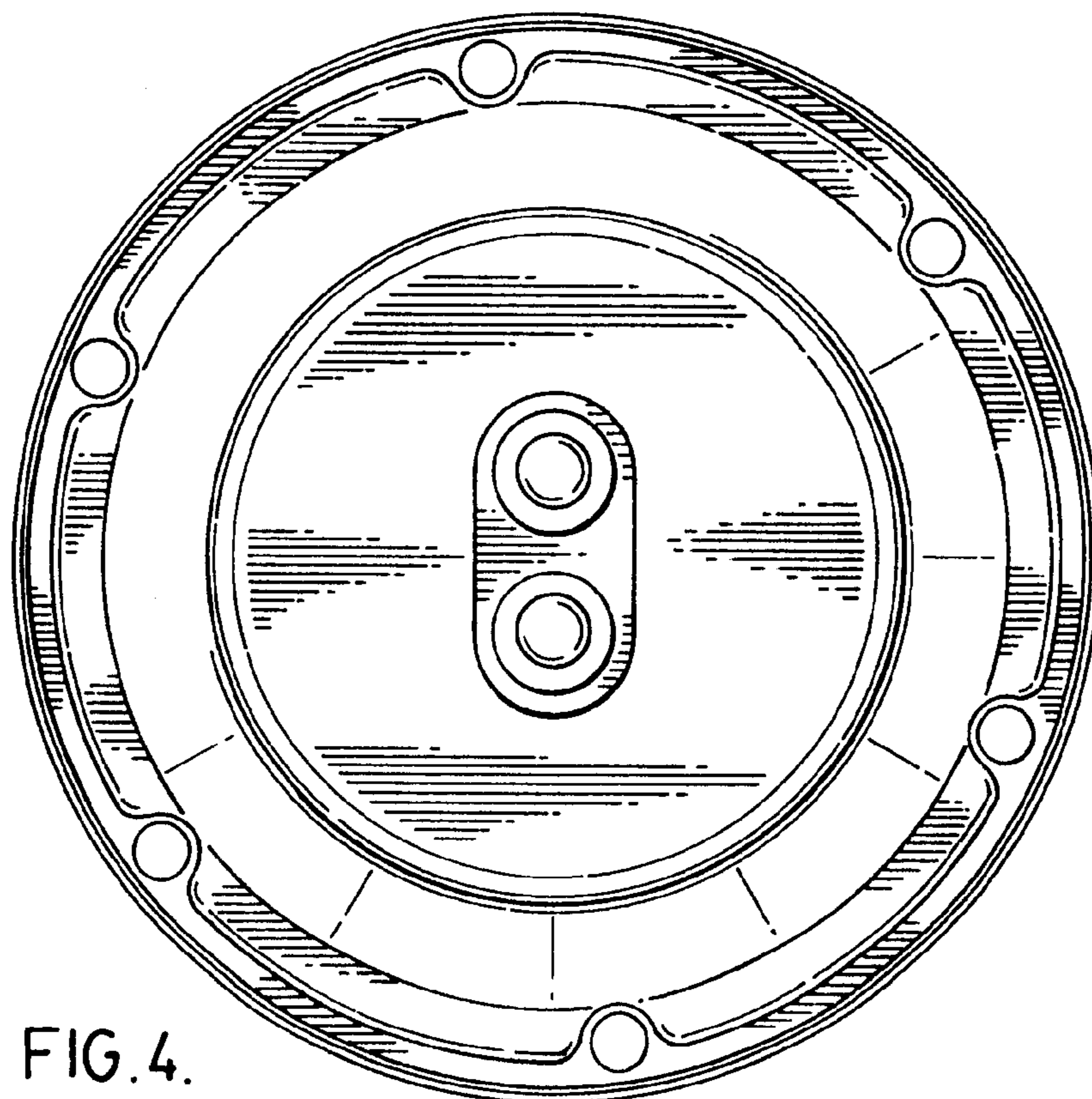


FIG. 4.

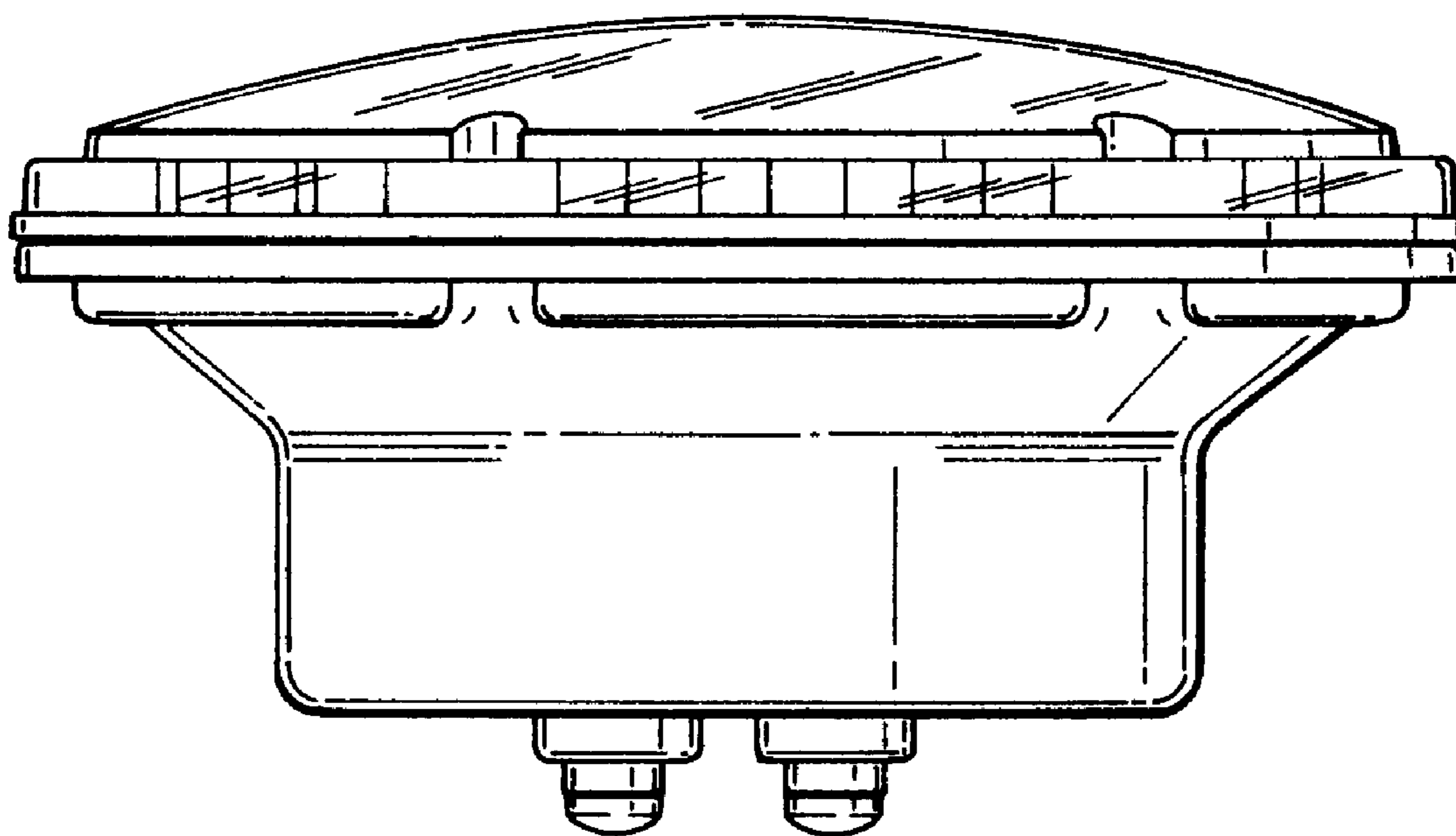


FIG. 5.