



US00D535037S

(12) **United States Design Patent**  
**Kim et al.**

(10) **Patent No.:** **US D535,037 S**

(45) **Date of Patent:** **\*\* Jan. 9, 2007**

(54) **LIGHT EMITTING DIODE (LED)**

D508,574 S \* 8/2005 Janssen ..... D26/1  
D509,309 S \* 9/2005 Janssen ..... D26/1

(75) Inventors: **Tae Kwang Kim**, Seoul (KR); **Kwang Il Park**, Seoul (KR)

\* cited by examiner

(73) Assignee: **Seoul Semiconductor Co., Ltd.**, Seoul (KR)

*Primary Examiner*—Marcus A. Jackson  
(74) *Attorney, Agent, or Firm*—Townsend and Townsend and Crew LLP

(\*\*) Term: **14 Years**

(57) **CLAIM**

(21) Appl. No.: **29/235,166**

The ornamental design for light emitting diode (LED), as shown and described.

(22) Filed: **Jul. 27, 2005**

**DESCRIPTION**

(51) **LOC (8) Cl.** ..... **26-04**

(52) **U.S. Cl.** ..... **D26/1**

(58) **Field of Classification Search** ..... D26/1-4;  
313/313, 315, 317, 318, 470, 493, 500  
See application file for complete search history.

FIG. 1 is a perspective view of a light emitting diode (LED) showing my new design;  
FIG. 2 is a front elevational view thereof;  
FIG. 3 is a rear elevational view thereof;  
FIG. 4 is a left side elevational view thereof;  
FIG. 5 is a right side elevational view thereof;  
FIG. 6 is a top plan view thereof;  
FIG. 7 is a bottom plan view thereof; and,  
FIG. 8 is a sectional view taken along a line A—A in FIG. 6.

(56) **References Cited**

**U.S. PATENT DOCUMENTS**

D260,398 S \* 8/1981 Schindler et al. .... D26/1  
D291,322 S \* 8/1987 Brower et al. .... D26/1  
D334,990 S \* 4/1993 Sekiguchi et al. .... D26/1

**1 Claim, 4 Drawing Sheets**

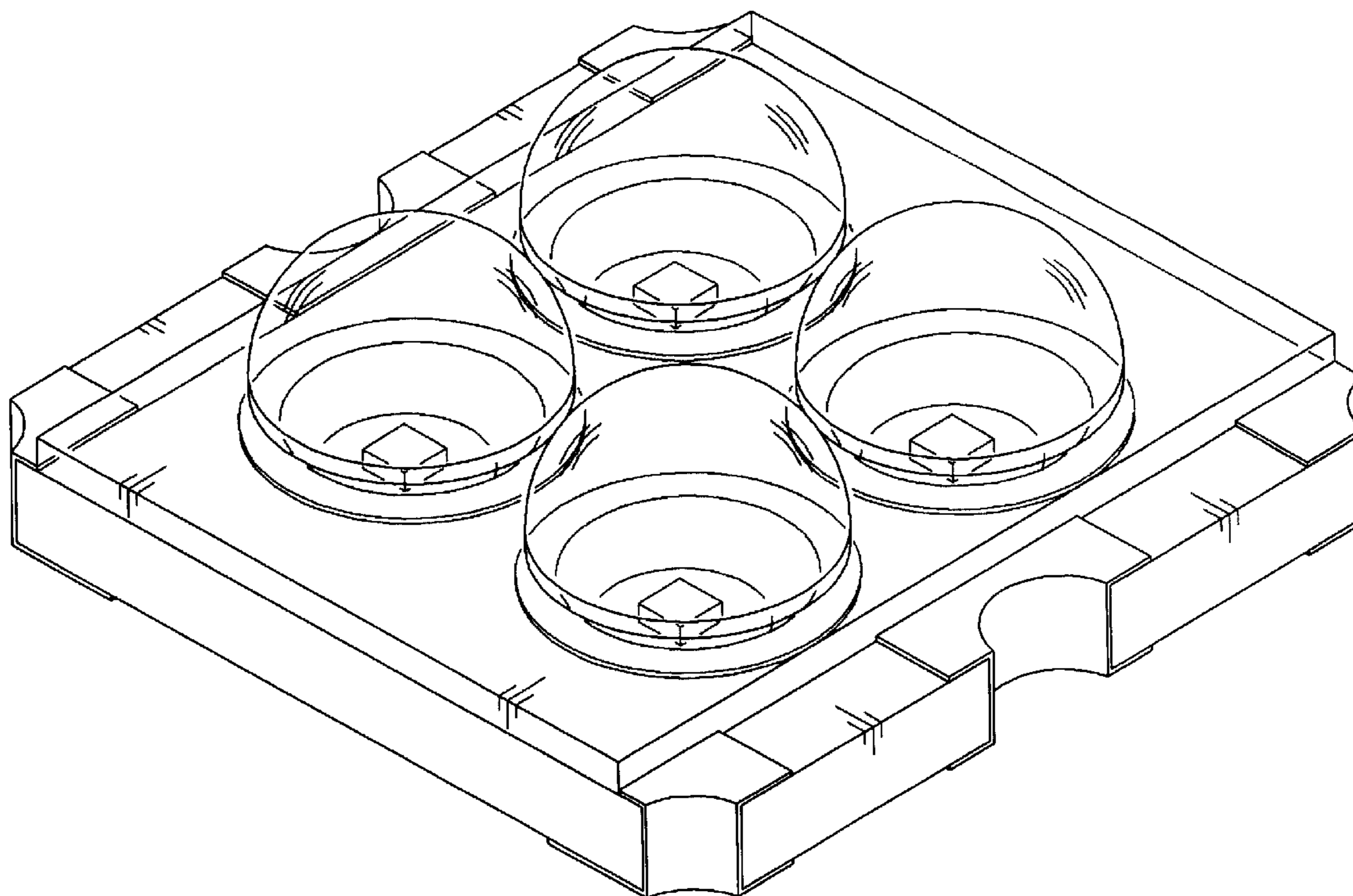


FIG 1

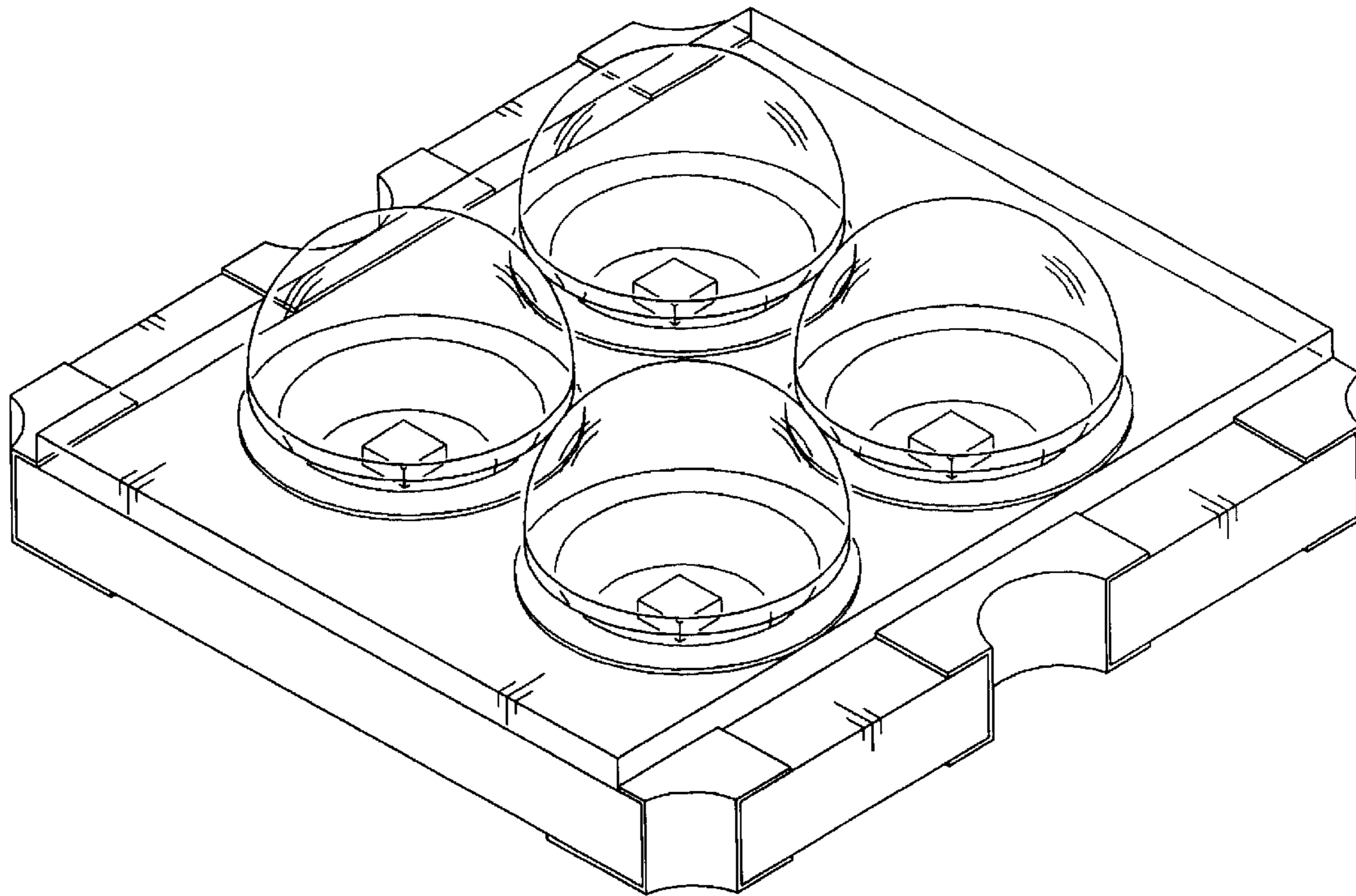


FIG 2

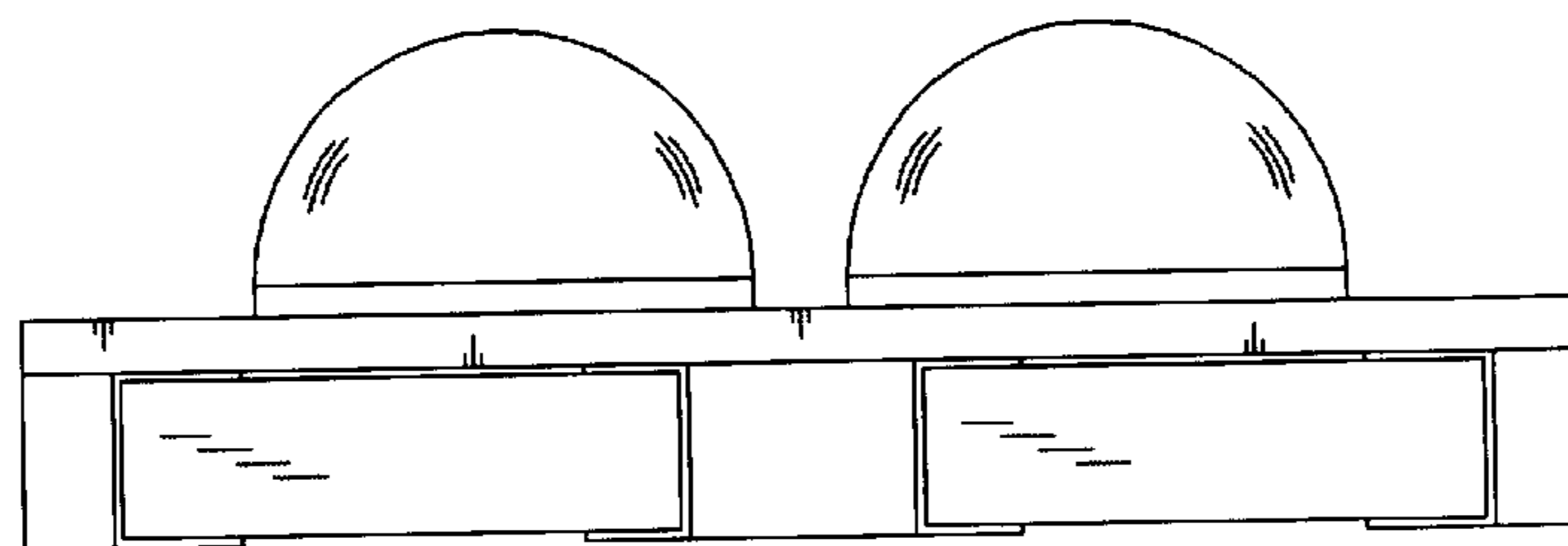


FIG 3

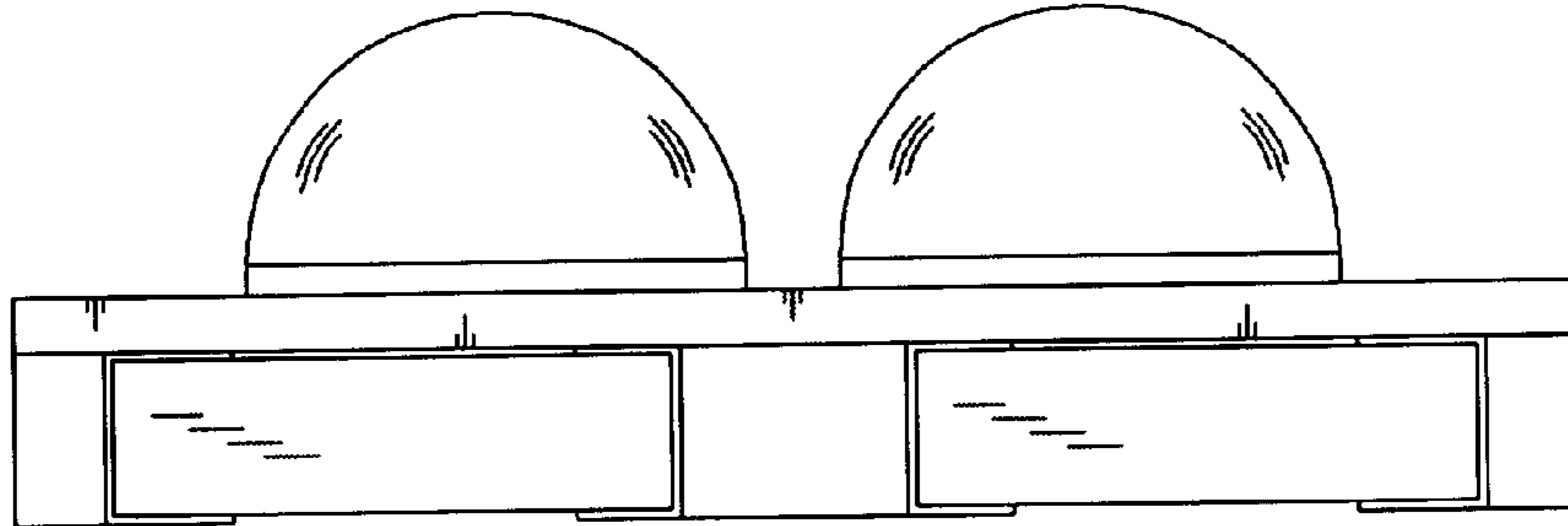


FIG 4

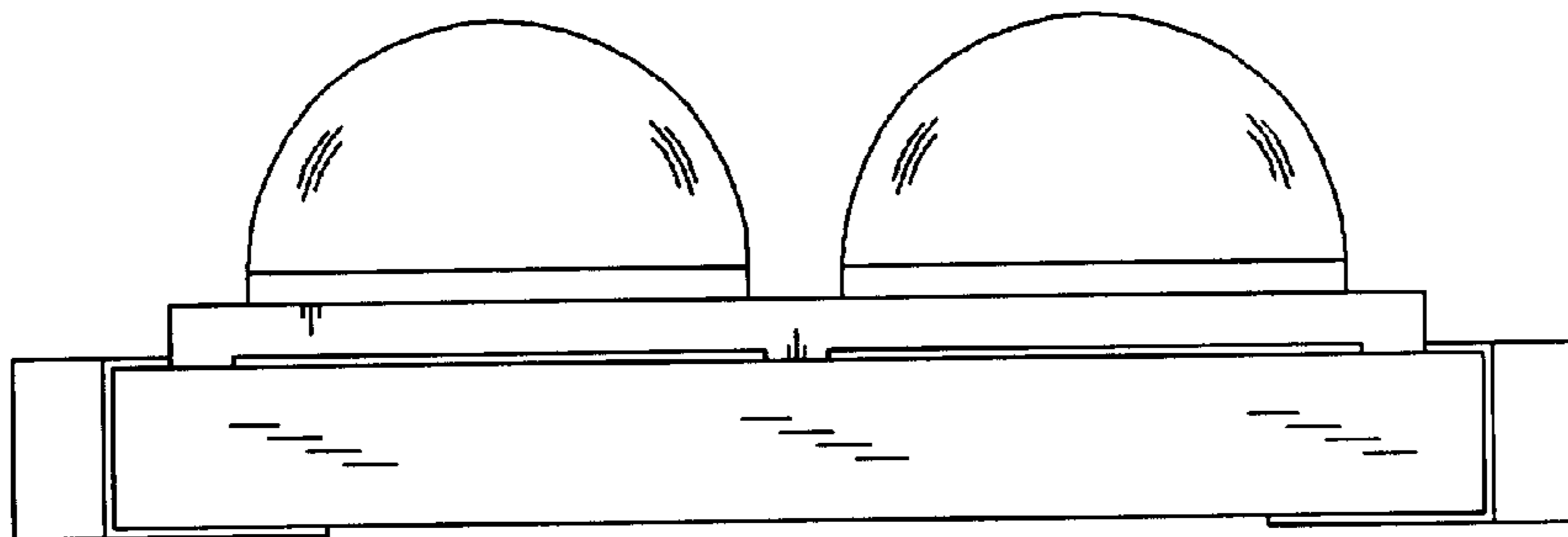


FIG 5

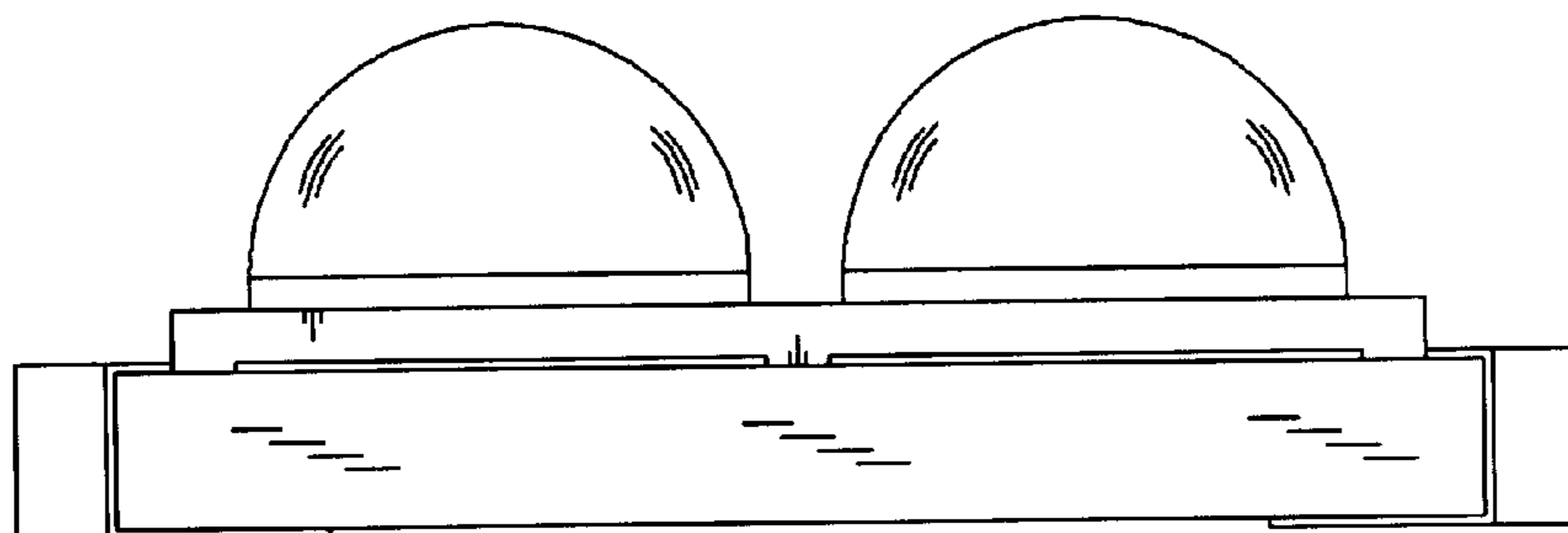


FIG 6

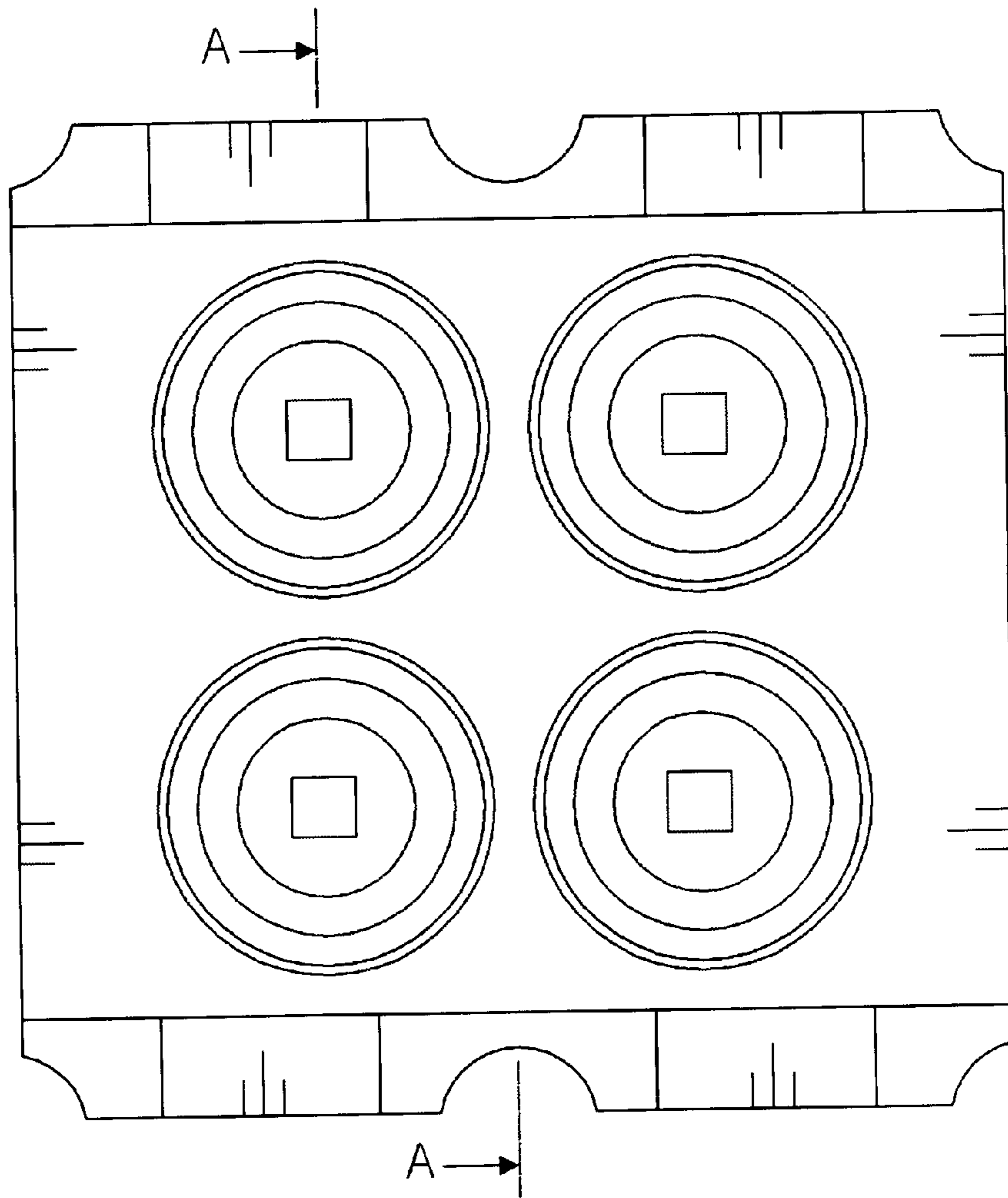


FIG 7

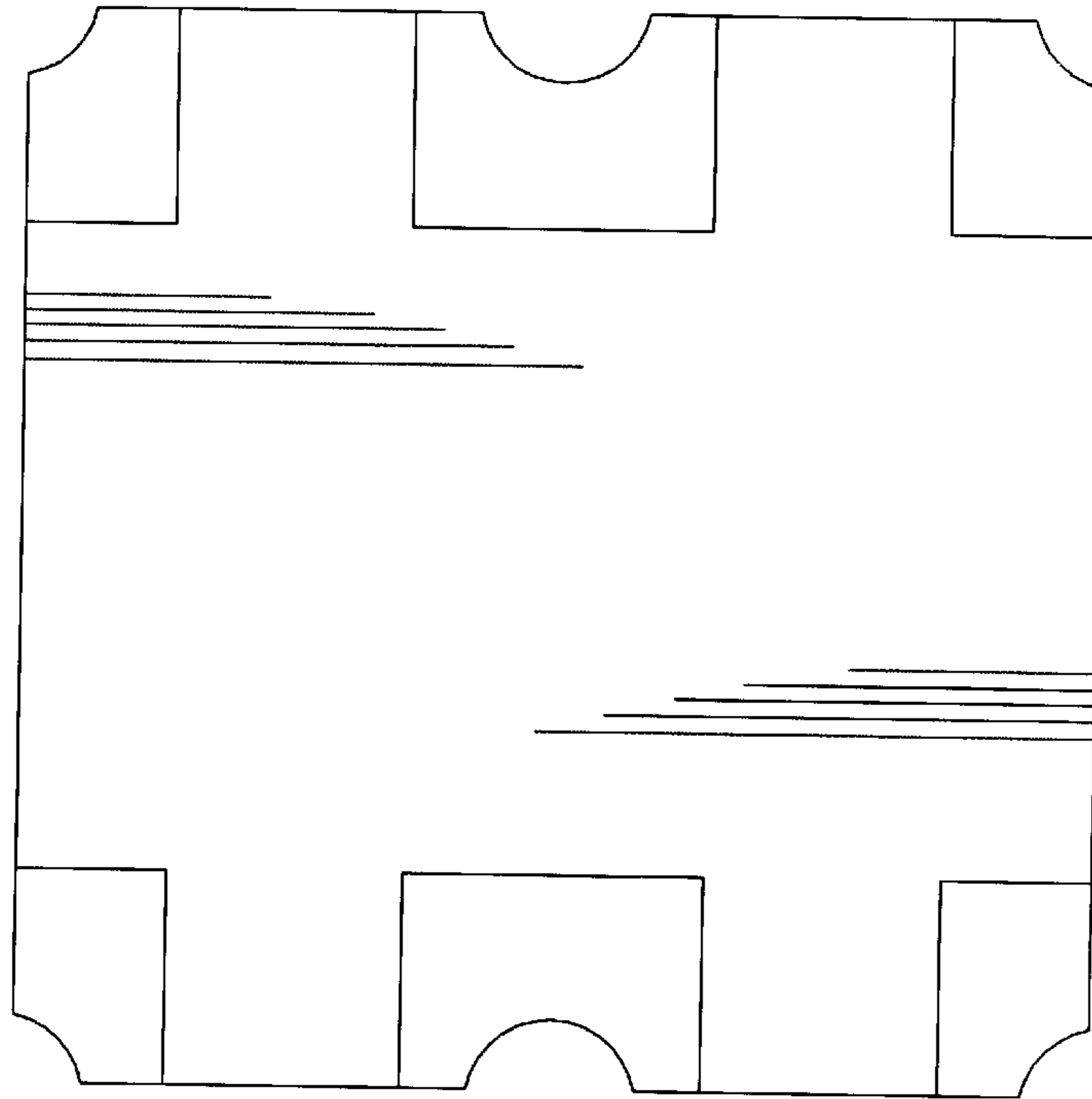


FIG 8

