



US00D535026S

(12) **United States Design Patent**
Griffin et al.

(10) **Patent No.:** **US D535,026 S**

(45) **Date of Patent:** **** Jan. 9, 2007**

- (54) **SAFETY SCALPEL COVER**
- (76) Inventors: **Michael D. Griffin**, 34255 Agua Dulce Canyon Rd., Agua Dulce, CA (US) 91390; **Rodolfo Gaba**, 722 Harper St., Simi Valley, CA (US) 93065
- (**) Term: **14 Years**
- (21) Appl. No.: **29/231,281**
- (22) Filed: **Jun. 1, 2005**

Related U.S. Application Data

- (63) Continuation-in-part of application No. 10/800,306, filed on Mar. 12, 2004.
 - (51) **LOC (8) Cl.** **24-02**
 - (52) **U.S. Cl.** **D24/146; D24/147**
 - (58) **Field of Classification Search** D24/146, D24/147, 133; 606/167; 30/335, 151, 337, 30/340
- See application file for complete search history.

References Cited

U.S. PATENT DOCUMENTS

4,922,614 A	5/1990	Machida	
5,078,724 A	1/1992	Takase	
5,139,507 A	8/1992	Dolgin et al.	
5,207,696 A	5/1993	Matwijcow	
5,324,299 A	6/1994	Davison	
5,330,494 A	* 7/1994	van der Westhuizen et al.	606/167
5,342,379 A	8/1994	Volinsky	
5,527,329 A	6/1996	Gharibian	

5,599,351 A	2/1997	Haber et al.	
5,676,677 A	10/1997	Landis et al.	
5,792,162 A	8/1998	Jolly et al.	
5,830,226 A	11/1998	Webb et al.	
5,868,771 A	2/1999	Herbert	
5,938,675 A	8/1999	Gharibian	
5,938,676 A	8/1999	Cohn et al.	
5,941,892 A	8/1999	Cohn et al.	
6,053,929 A	4/2000	Cohn et al.	
D473,649 S	4/2003	Howell et al.	
6,626,925 B1	9/2003	Newman et al.	
6,629,985 B1	10/2003	Kiehne	
D483,123 S	* 12/2003	Montgomery et al. D24/147
2002/0143352 A1	* 10/2002	Newman et al. 606/167
2004/0236359 A1	* 11/2004	Shi 606/167
2006/0100650 A1	* 5/2006	Kiehne 606/167

* cited by examiner

Primary Examiner—Antoine D. Davis
Assistant Examiner—Christopher Lee
(74) *Attorney, Agent, or Firm*—Cislo & Thomas, LLP

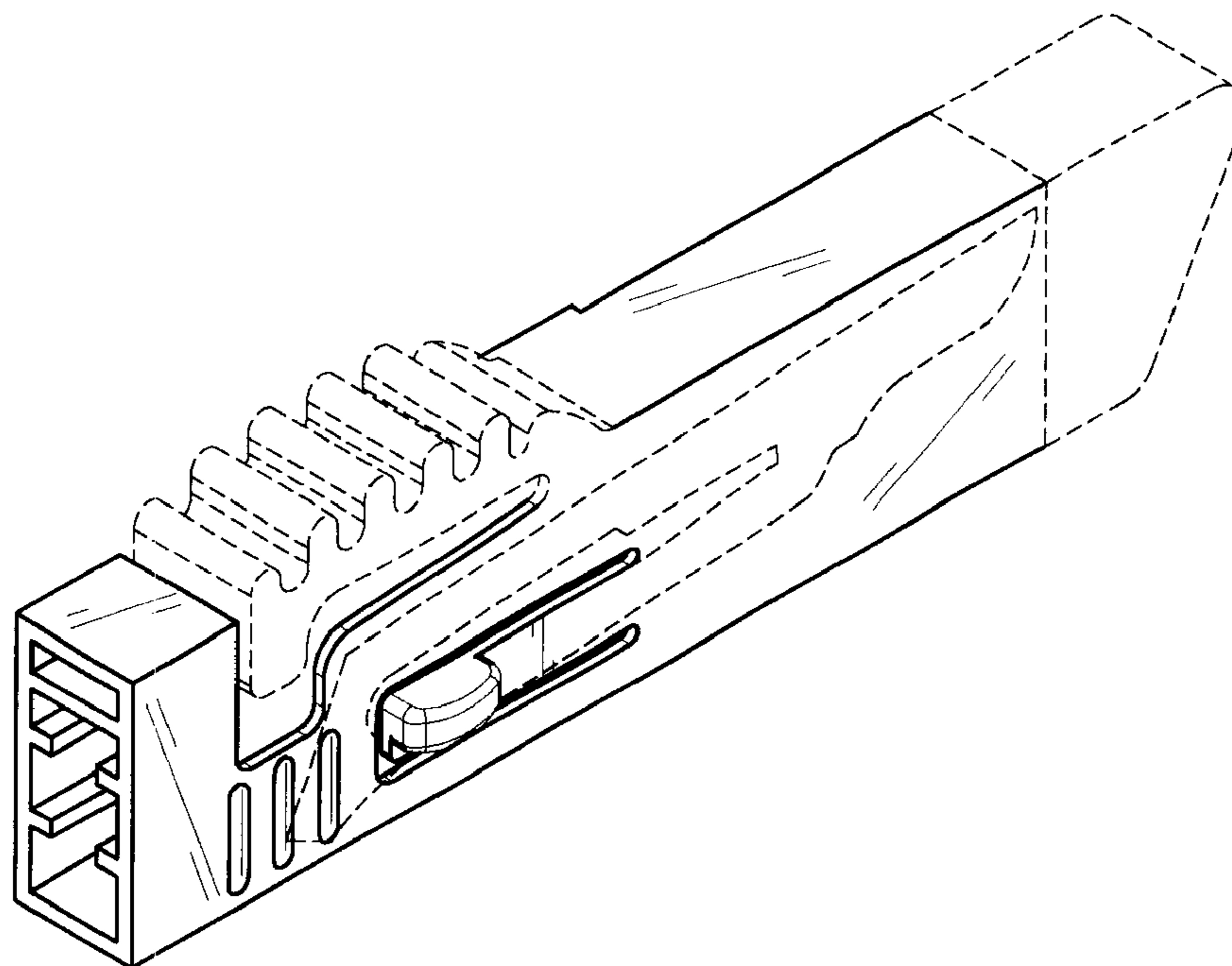
(57) **CLAIM**

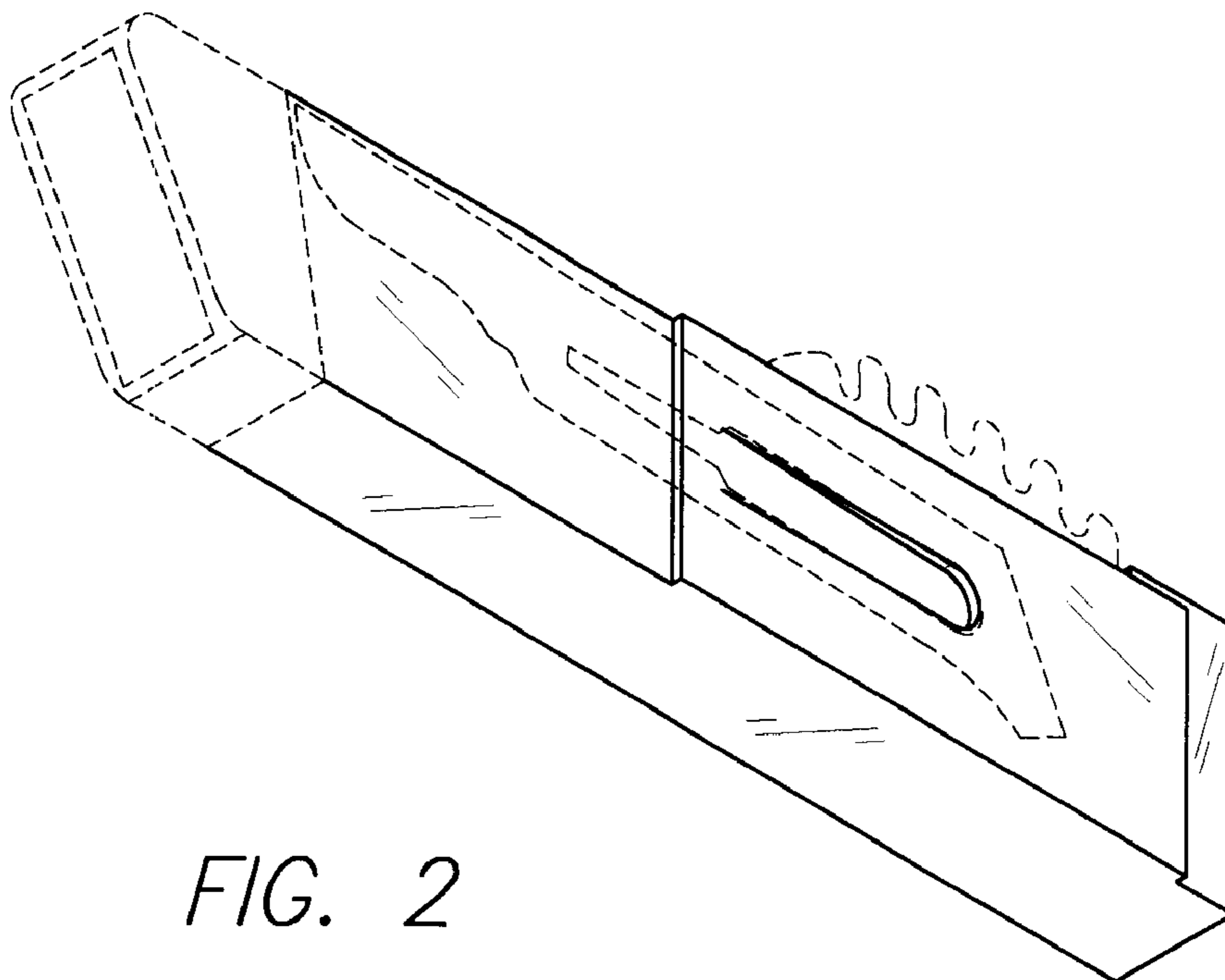
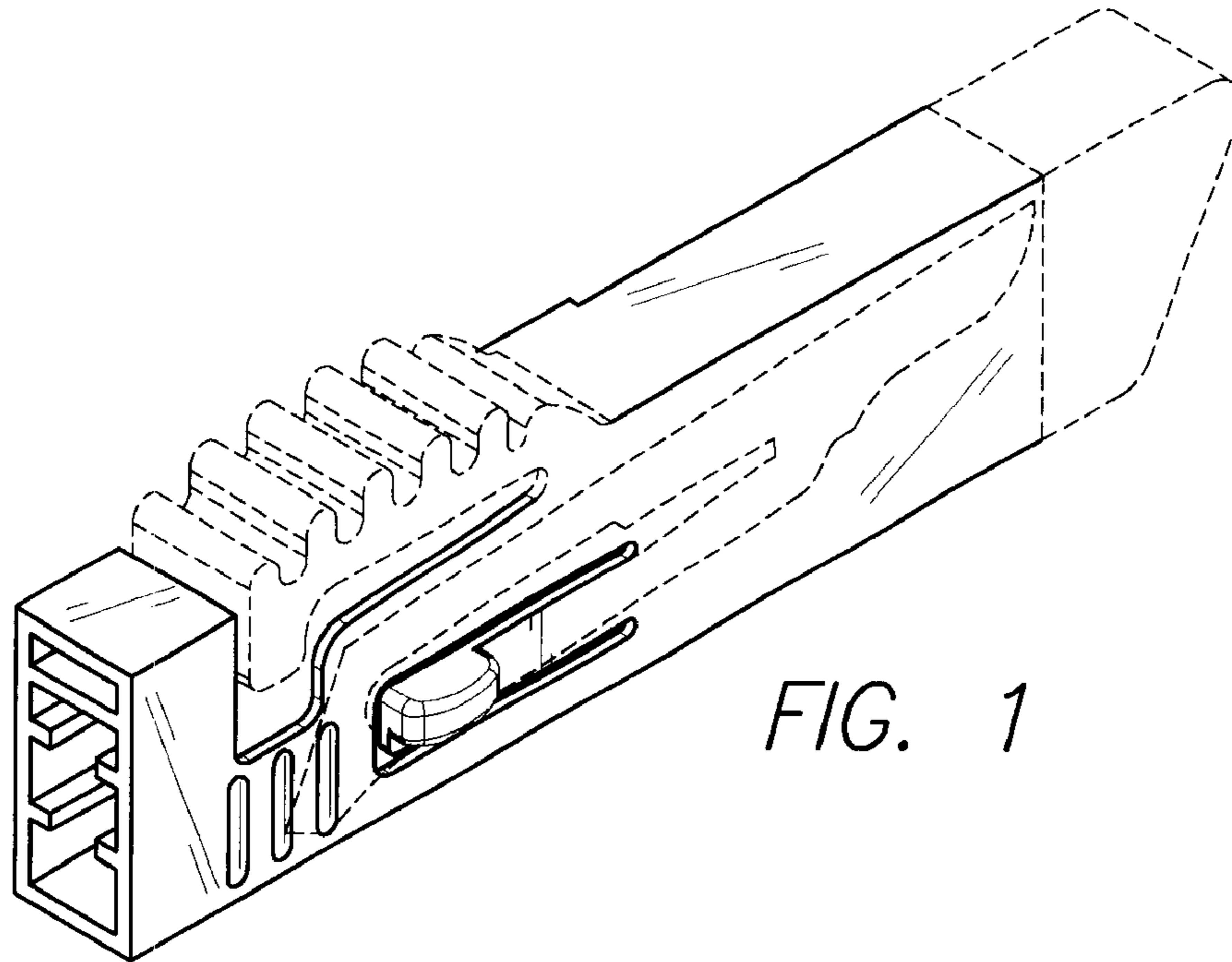
We claim the ornamental design for a safety scalpel cover, as shown and described.

DESCRIPTION

FIG. 1 is a top perspective view of the safety scalpel cover; FIG. 2 is a bottom perspective view thereof; FIG. 3 is a left side elevation view thereof; and, FIG. 4 is a right side elevation view thereof. The broken lines showing environment in the drawings are for illustrative purposes only and form no part of the claimed design.

1 Claim, 2 Drawing Sheets





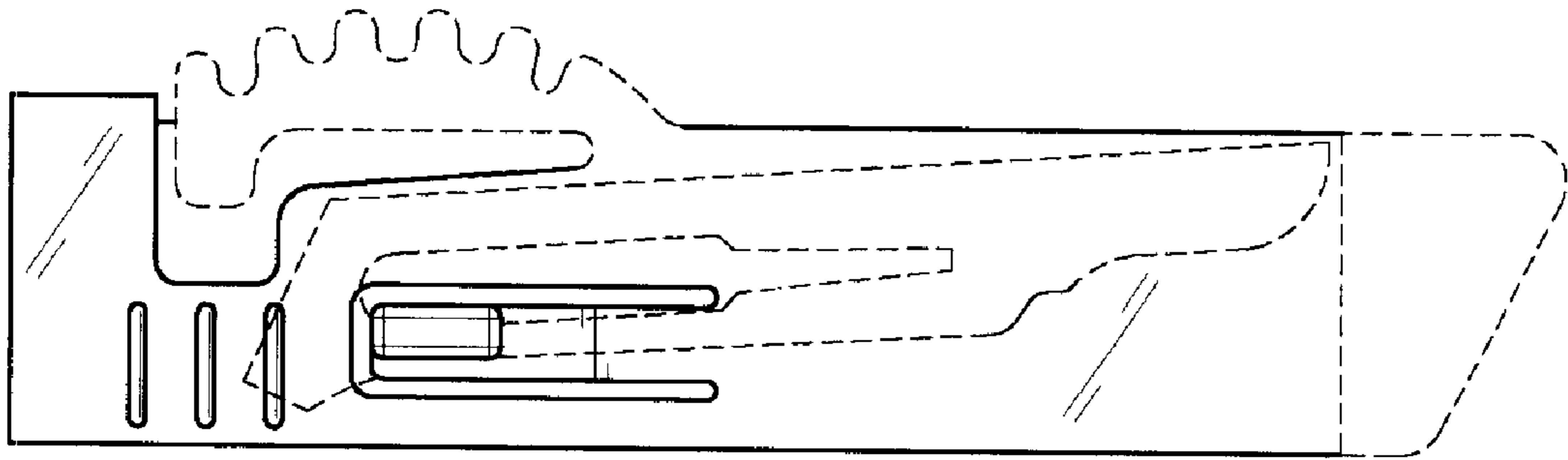


FIG. 3

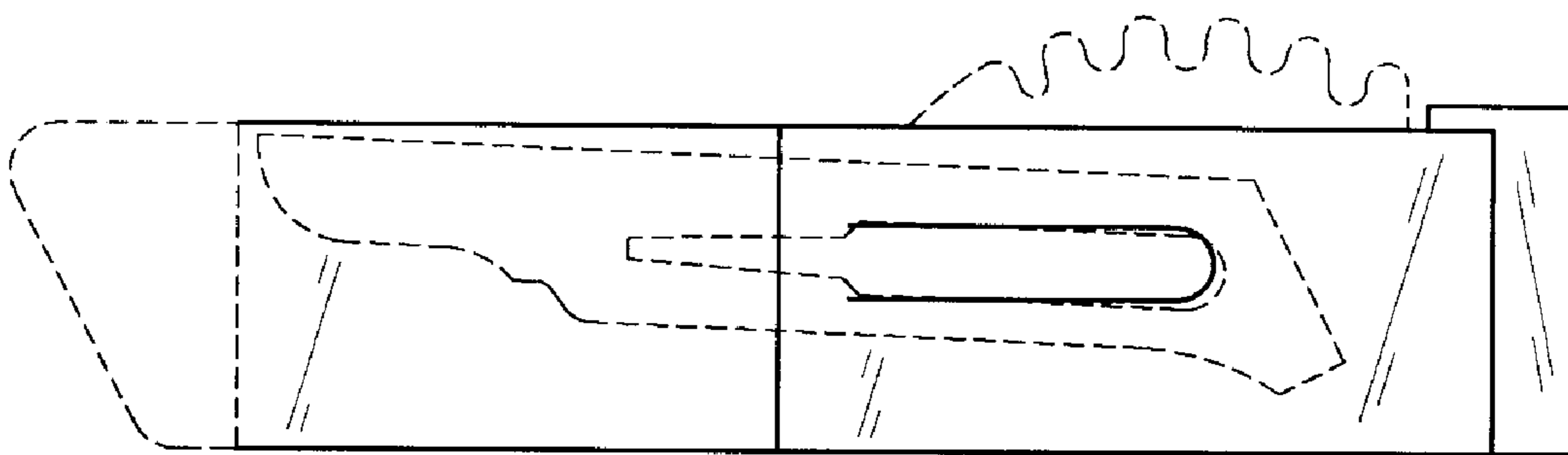


FIG. 4