



US00D535023S

(12) **United States Design Patent**
Smart et al.

(10) **Patent No.: US D535,023 S**
(45) **Date of Patent: ** Jan. 9, 2007**

(54) **ELBOW OF A FULL FACE MASK**
(75) Inventors: **Gregory Scott Smart**, Randwick (AU);
David John Worboys, Belrose (AU);
Anthony Michael Ging, Vancouver
(CA); **Muditha Pradeep**
Dantanarayana, Cherrybrook (AU);
John Michael Snow, Mosman (AU);
Philip Thomas Stallard, Denistone
East (AU); **Milind Chandrakant Raje**,
Wentworthville (AU)

D459,800 S 7/2002 Smart
D464,728 S 10/2002 Paul
6,467,483 B1 10/2002 Kopacko
6,513,526 B1 2/2003 Kwok
D476,732 S * 7/2003 Smart D24/110.4
6,584,977 B1 7/2003 Serowski
6,691,707 B1 2/2004 Gunaratnam
D506,827 S * 6/2005 Jones et al. D24/110.1
D515,204 S * 2/2006 Guney et al. D24/110.1
2003/0005931 A1 1/2003 Jaffre
2003/0196657 A1 10/2003 Ging

* cited by examiner

(73) Assignee: **ResMed Limited**, North Ryde (AU)

Primary Examiner—Antoine D. Davis

(**) Term: **14 Years**

Assistant Examiner—Christopher Lee

(74) *Attorney, Agent, or Firm*—Nixon & Vanderhye P.C.

(21) Appl. No.: **29/216,698**

(57) **CLAIM**

(22) Filed: **Nov. 8, 2004**

The ornamental design for an elbow of a full face mask, as shown.

(51) **LOC (8) Cl.** **29-02**

(52) **U.S. Cl.** **D24/110.1; D24/110.4**

(58) **Field of Classification Search** D24/110.1,
D24/110.4; 128/205.25, 207.11, 207.13, 206.27
See application file for complete search history.

DESCRIPTION

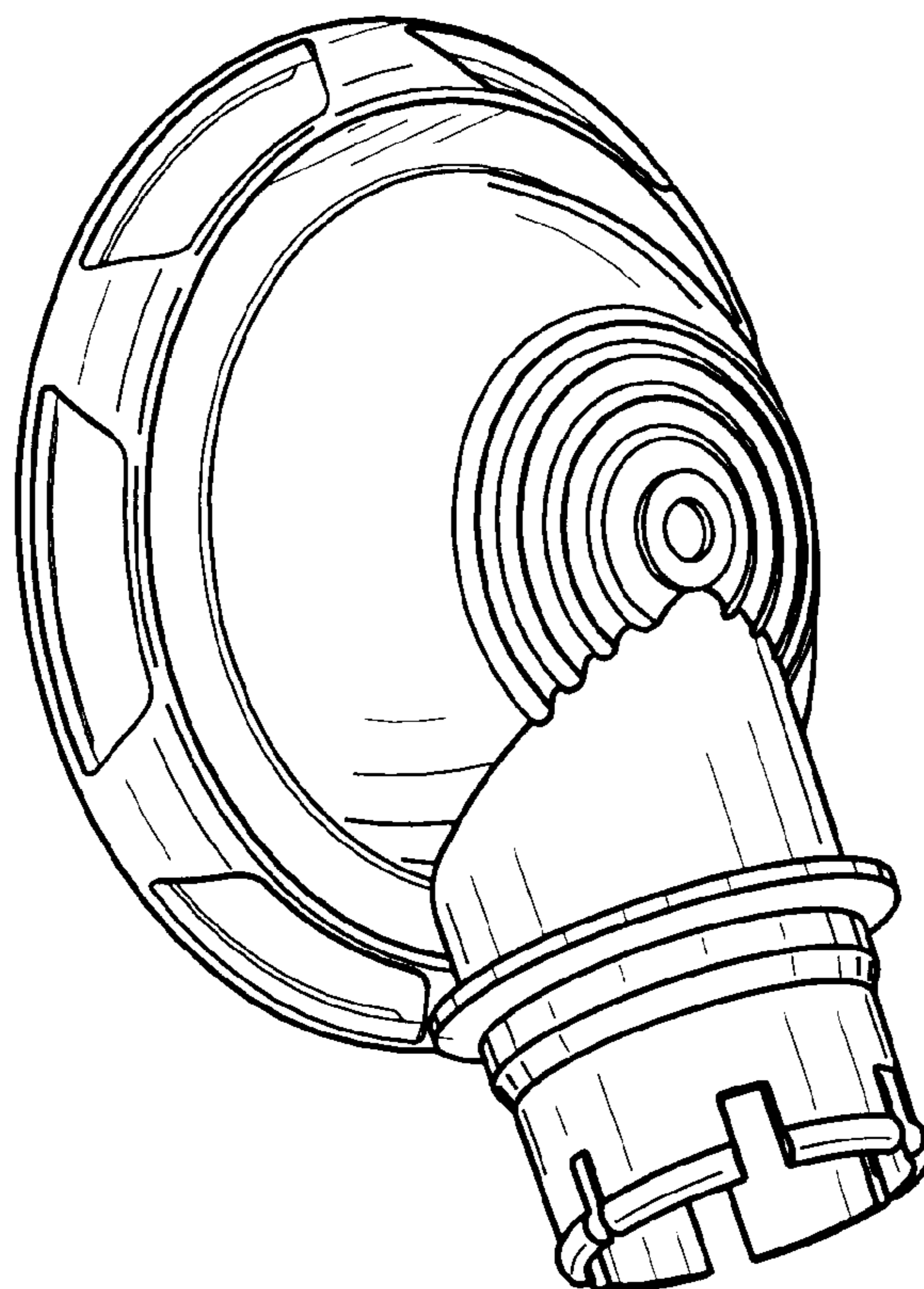
FIG. 1 is a perspective view of an elbow of our design;
FIG. 2 is a front view thereof;
FIG. 3 is a rear view thereof;
FIG. 4 is a left side view thereof;
FIG. 5 is a right side view thereof;
FIG. 6 is a top view thereof; and,
FIG. 7 is a bottom view thereof.

(56) **References Cited**

U.S. PATENT DOCUMENTS

D428,139 S 7/2000 Smart
D428,988 S 8/2000 Smart

1 Claim, 5 Drawing Sheets



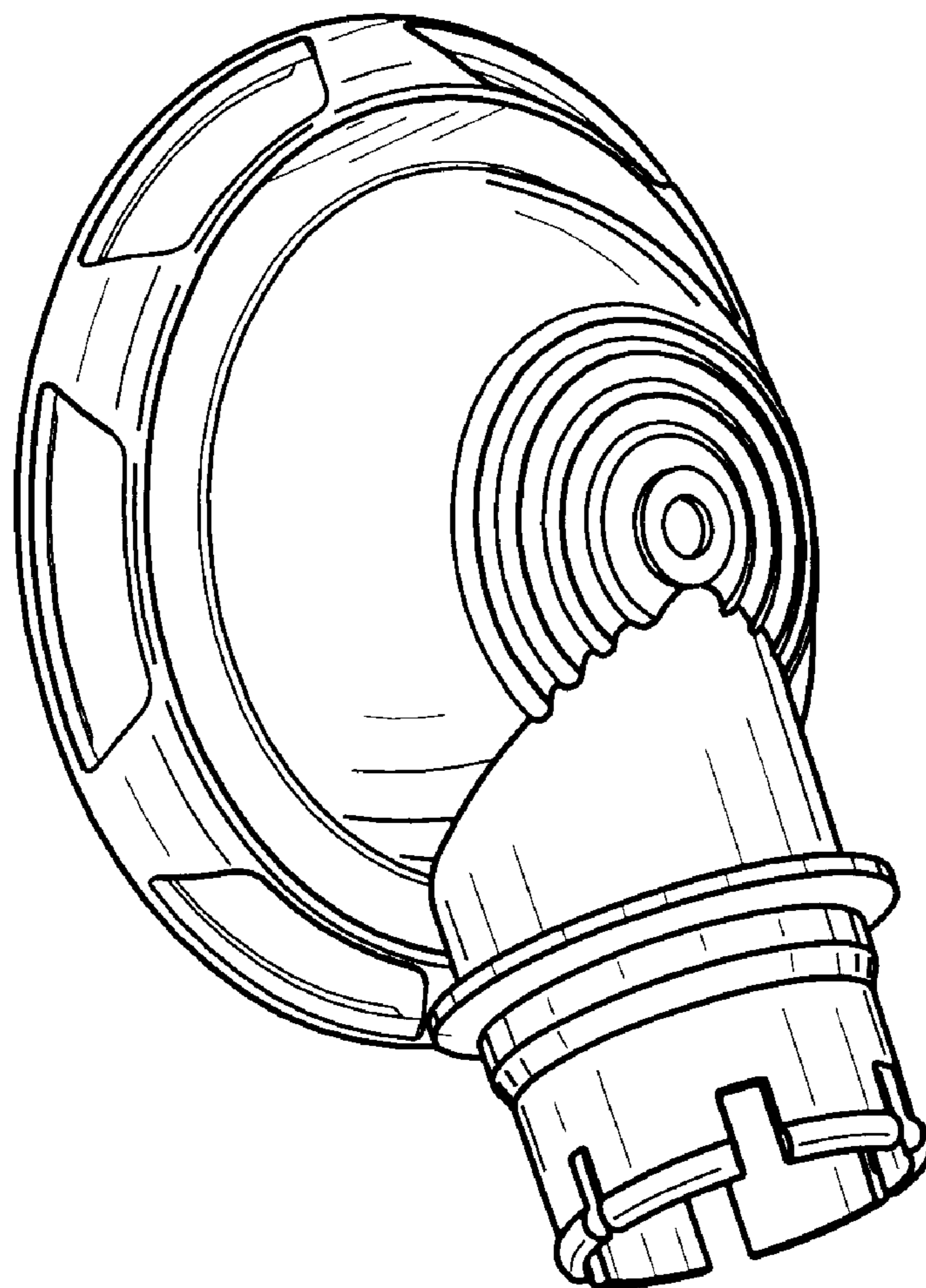


Fig. 1

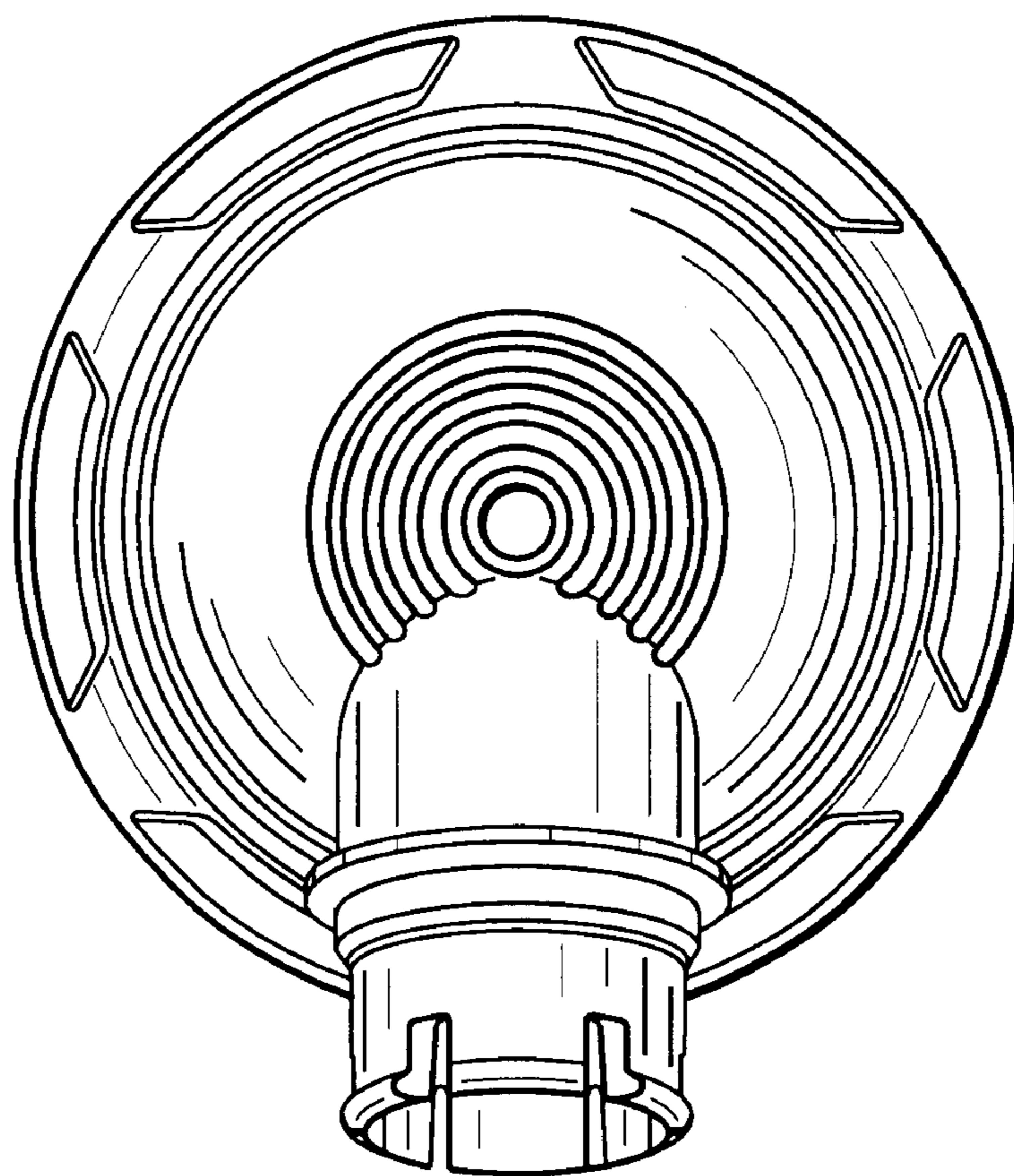


Fig. 2

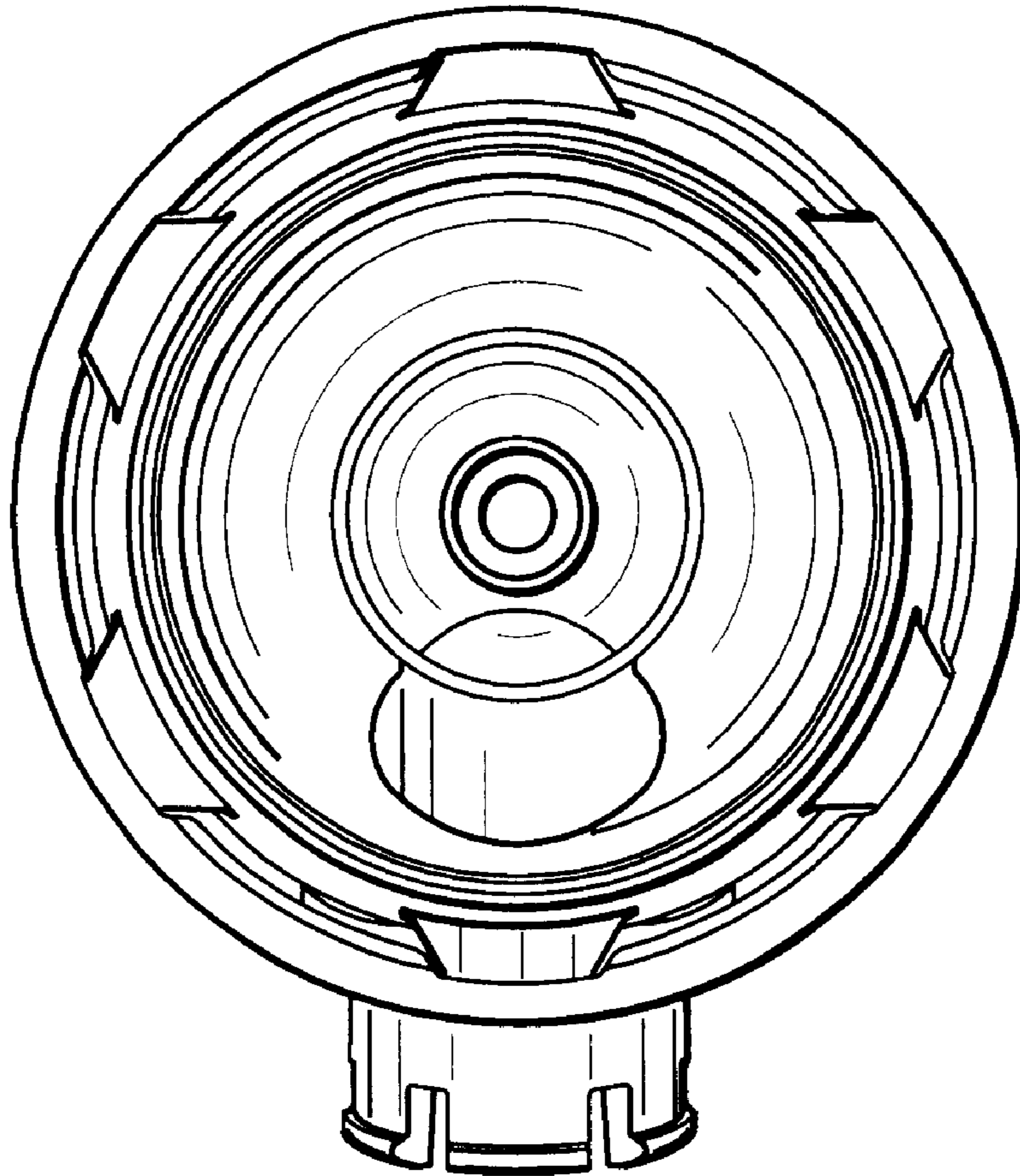


Fig. 3

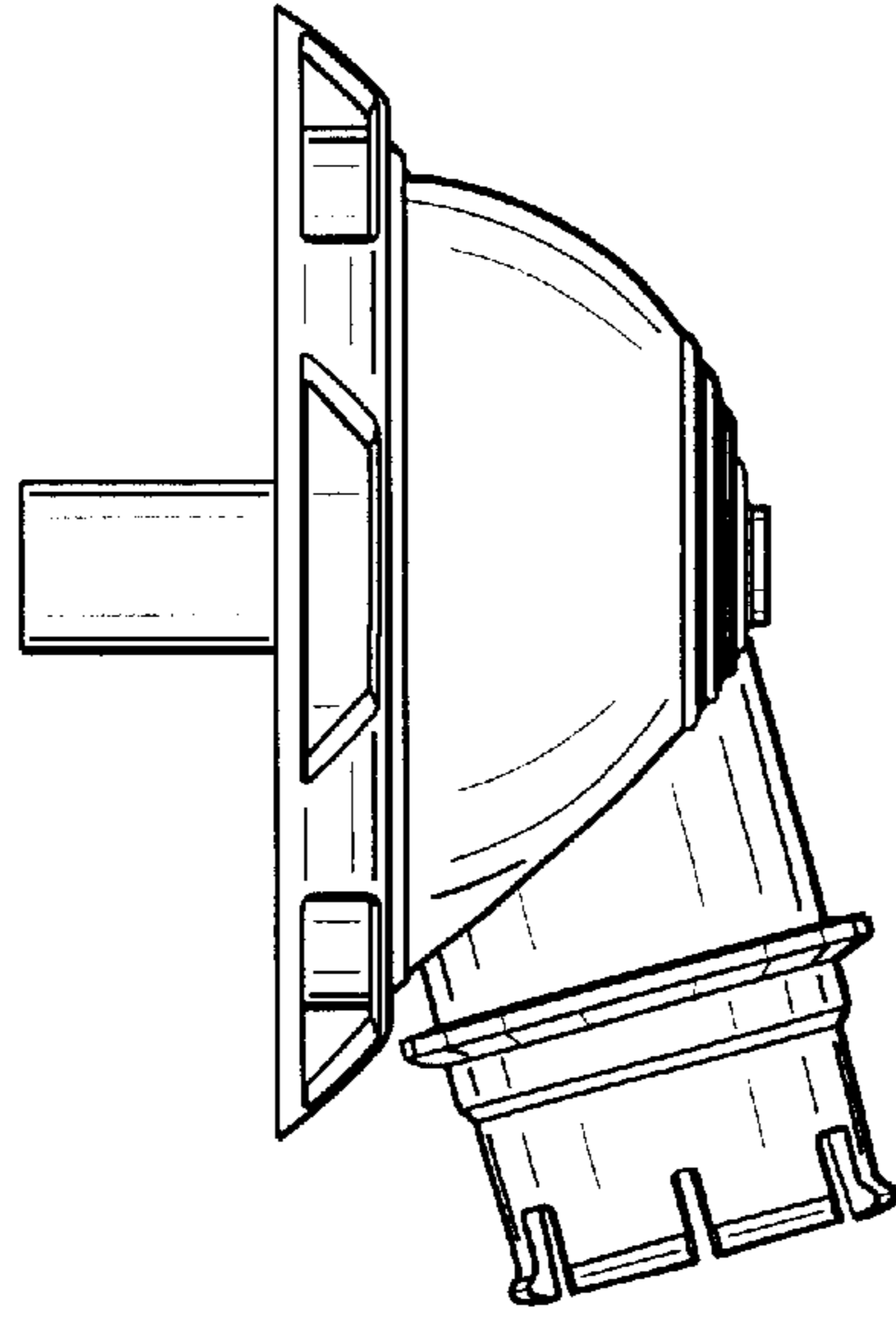


Fig. 4

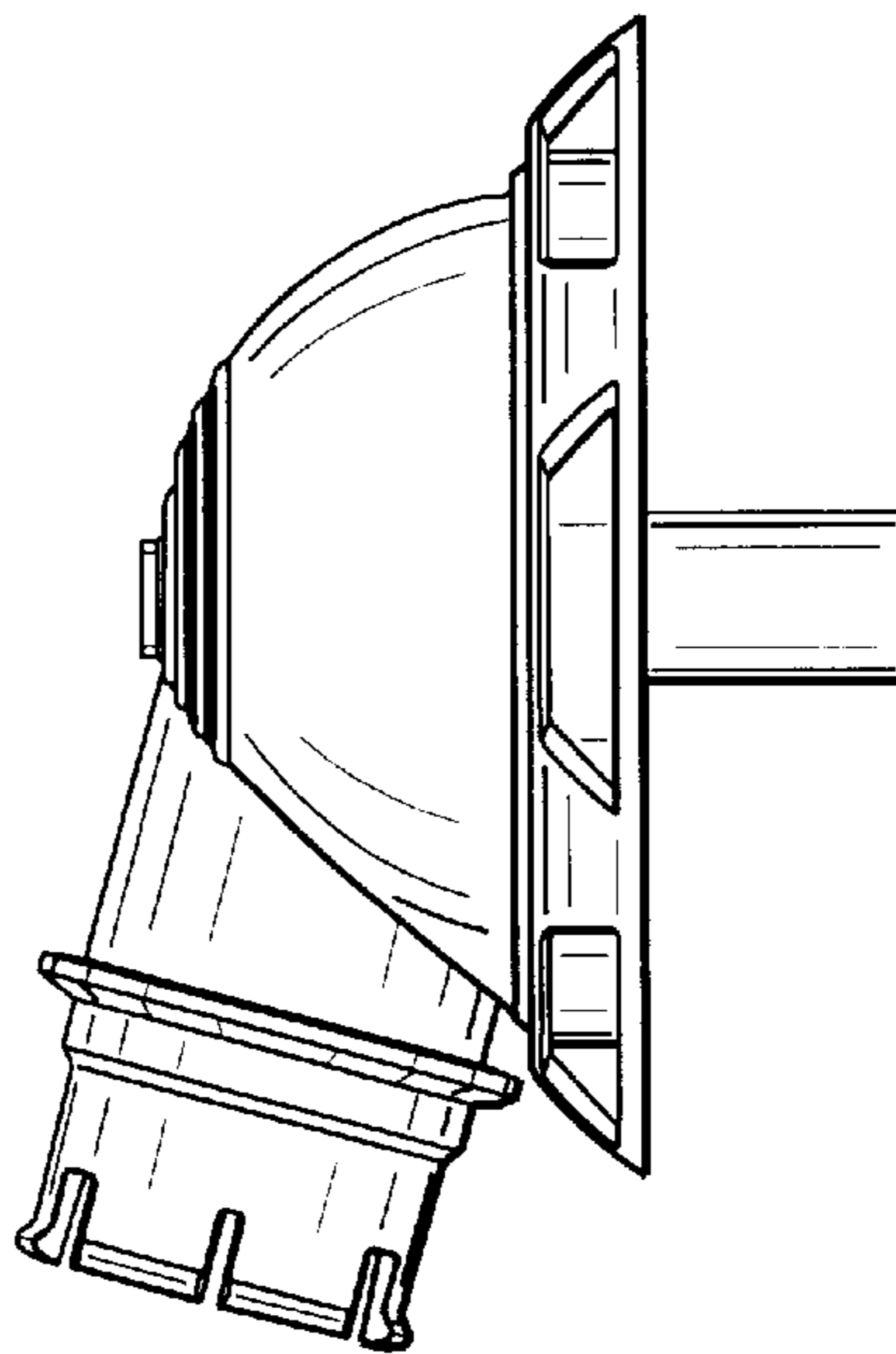


Fig. 5

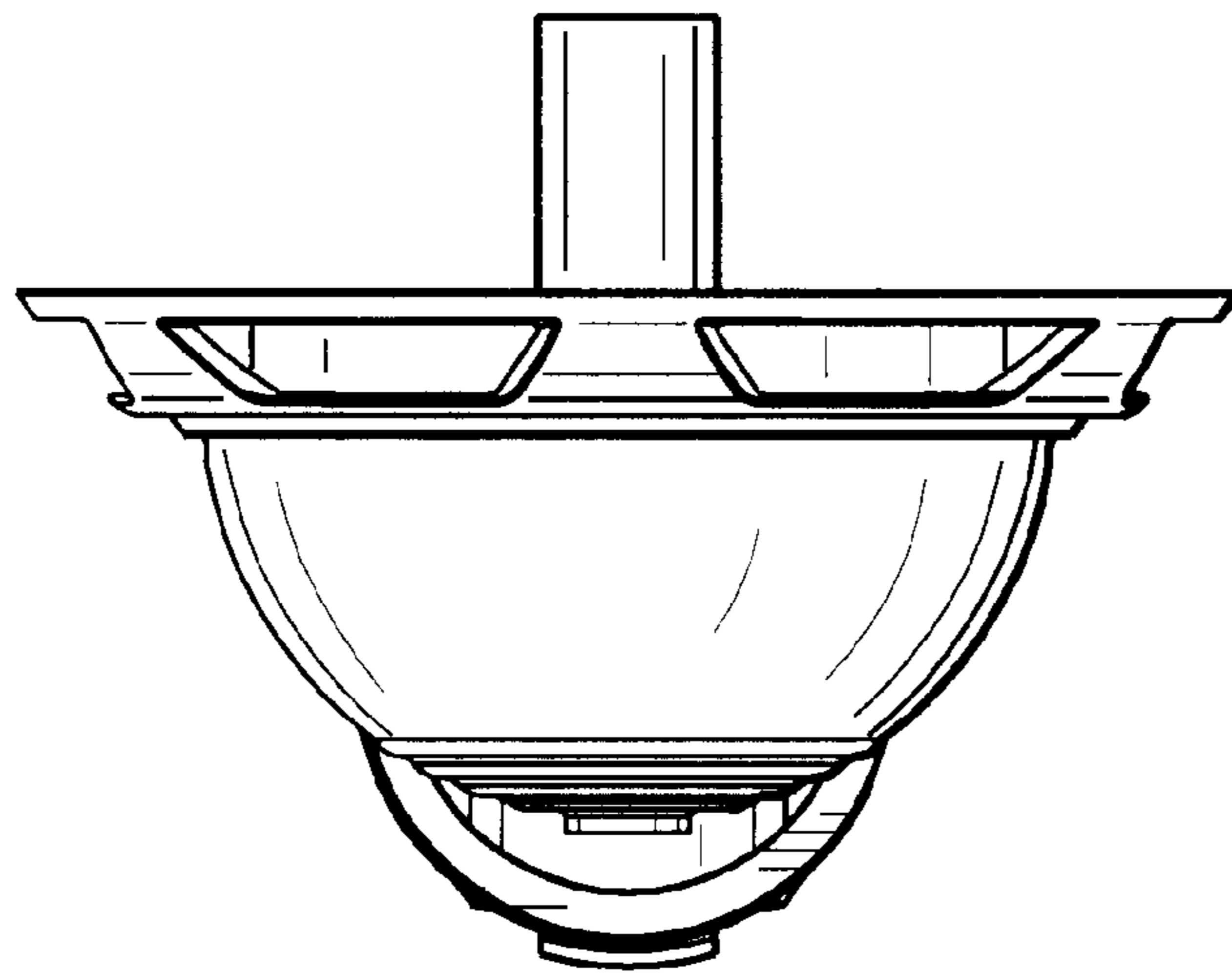


Fig. 6

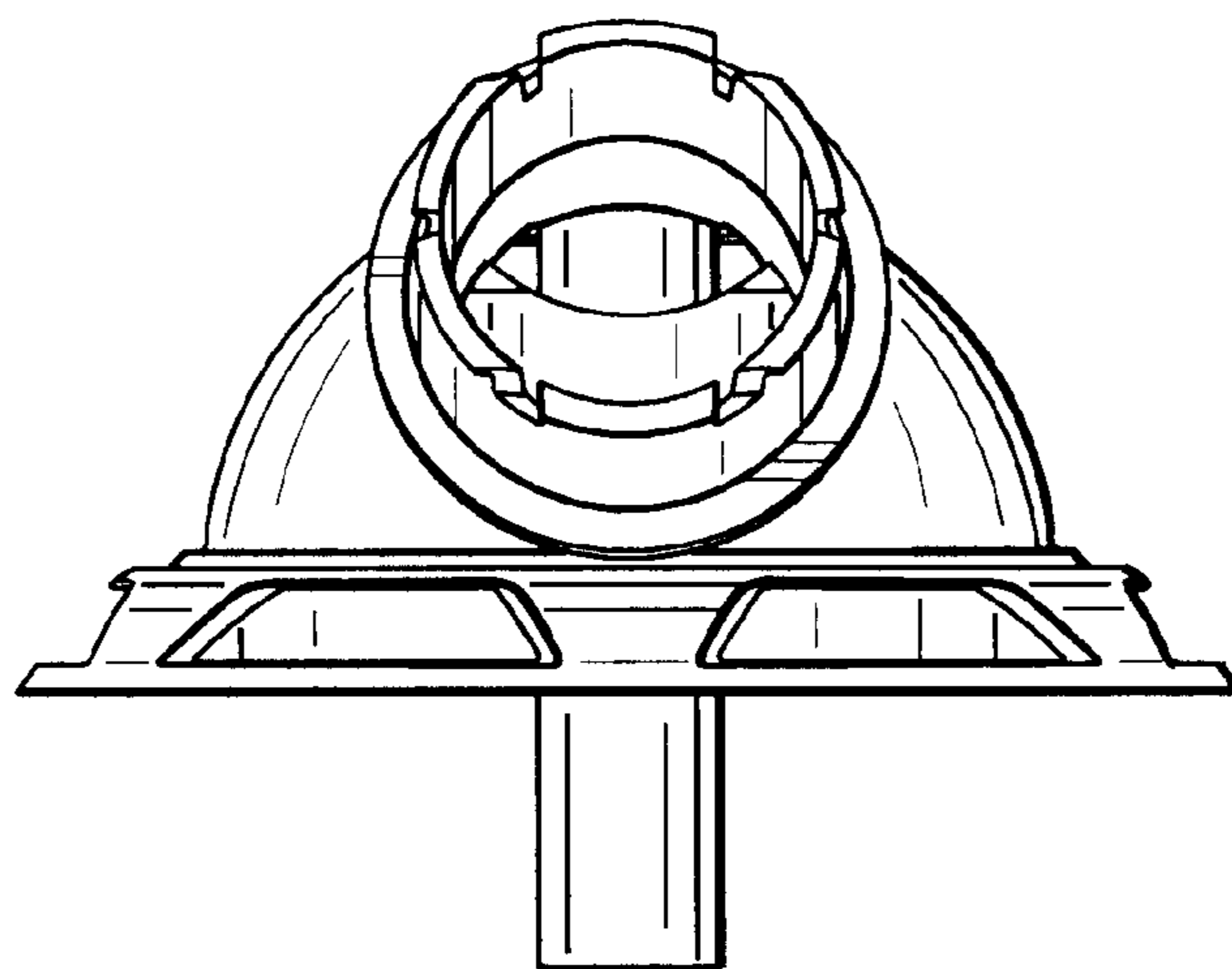


Fig. 7

UNITED STATES PATENT AND TRADEMARK OFFICE
Certificate

Patent No. D. 535,023 S

Patented: January 9, 2007

On petition requesting issuance of a certificate for correction of inventorship pursuant to 35 U.S.C. 256, it has been found that the above identified patent, through error and without any deceptive intent, improperly sets forth the inventorship.

Accordingly, it is hereby certified that the correct inventorship of this patent is: Gregory Scott Smart, Randwick (AU); David John Worboys, Belrose (AU); Anthony Michael Ging, Vancouver (CA); Muditha Pradeep Dantanarayana, Cherrybrook (AU); and Milind Chandrakant Raje, Wentworthville (AU).

Signed and Sealed this Sixth Day of September 2011.

IAN SIMMONS
Supervisory Patent Examiner
Art Unit 2916
Technology Center 2900