



US00D535014S

(12) **United States Design Patent**
Pickett

(10) **Patent No.:** **US D535,014 S**

(45) **Date of Patent:** **** Jan. 9, 2007**

(54) **CEILING FAN HOUSING**

(76) Inventor: **Mark Pickett**, 1419 E. Palm St.,
Altadena, CA (US) 91001

(**) Term: **14 Years**

(21) Appl. No.: **29/223,491**

(22) Filed: **Feb. 15, 2005**

(51) **LOC (8) Cl.** **23-04**

(52) **U.S. Cl.** **D23/411**

(58) **Field of Classification Search** D23/411,
D23/377, 379, 385; 416/5; 392/364

See application file for complete search history.

(56) **References Cited**

U.S. PATENT DOCUMENTS

D315,946 S	*	4/1991	Hollbrook	D23/377
D346,858 S	*	5/1994	Lee	D23/385
D407,154 S	*	3/1999	Thomas	D23/411
D520,131 S	*	5/2006	Hidalgo	D23/377

* cited by examiner

Primary Examiner—Lisa Lichtenstein

(74) *Attorney, Agent, or Firm*—Pasons & Goltry; Michael
W. Goltry; Robert A. Parsons

(57) **CLAIM**

The ornamental design for a ceiling fan housing, as shown
and described.

DESCRIPTION

FIG. 1 is a bottom perspective view of a ceiling fan housing
showing my new design;

FIG. 2 is a front elevational view thereof, the rear elevational
view, the left side elevational view, and the right side
elevational view being substantially the same thereof;

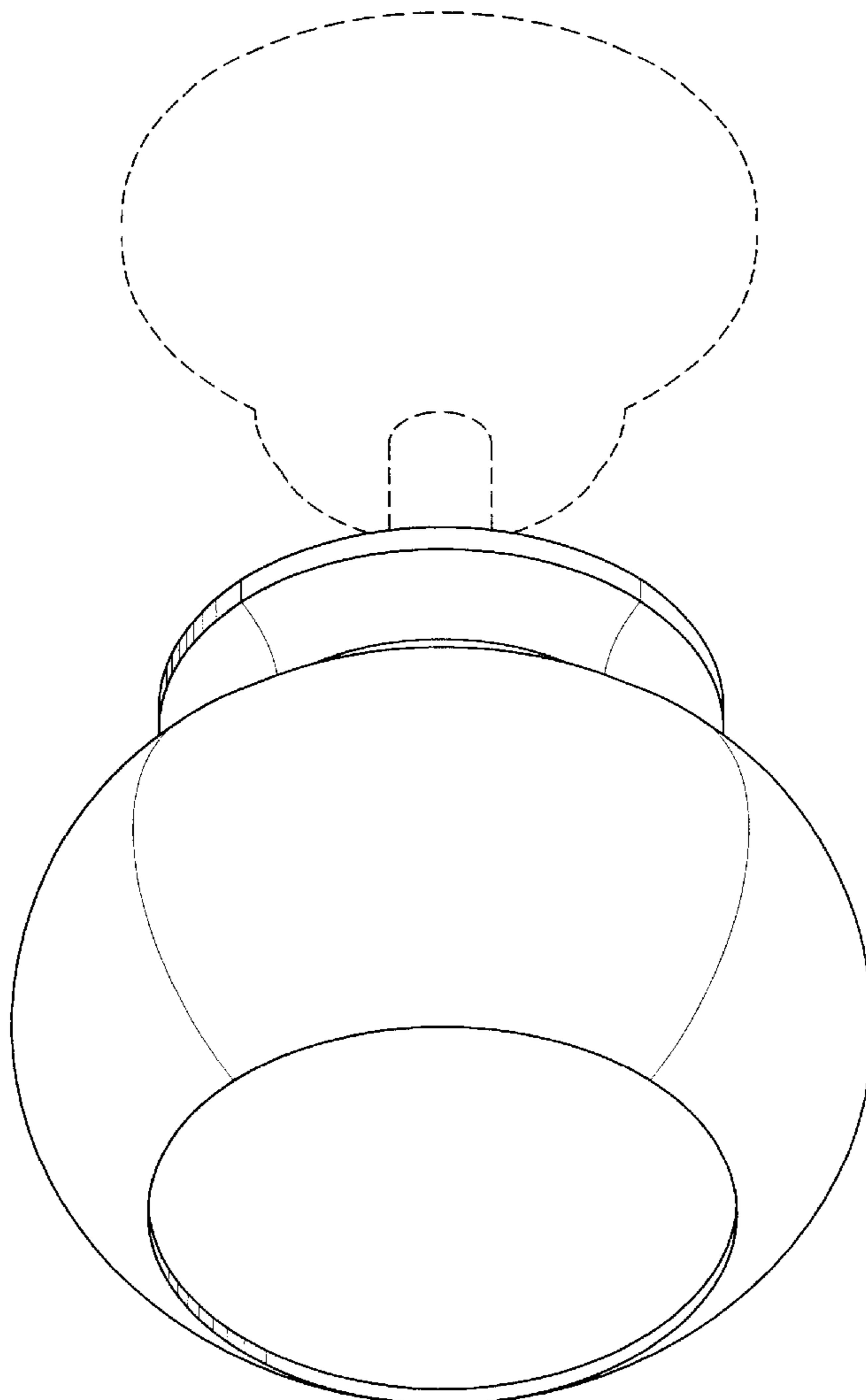
FIG. 3 is a bottom plan view thereof;

FIG. 4 is a top plan view thereof; and,

FIG. 5 is a top perspective view thereof.

The broken line showing of environmental structure is for
illustrative purposes only and forms no part of the claimed
design.

1 Claim, 5 Drawing Sheets



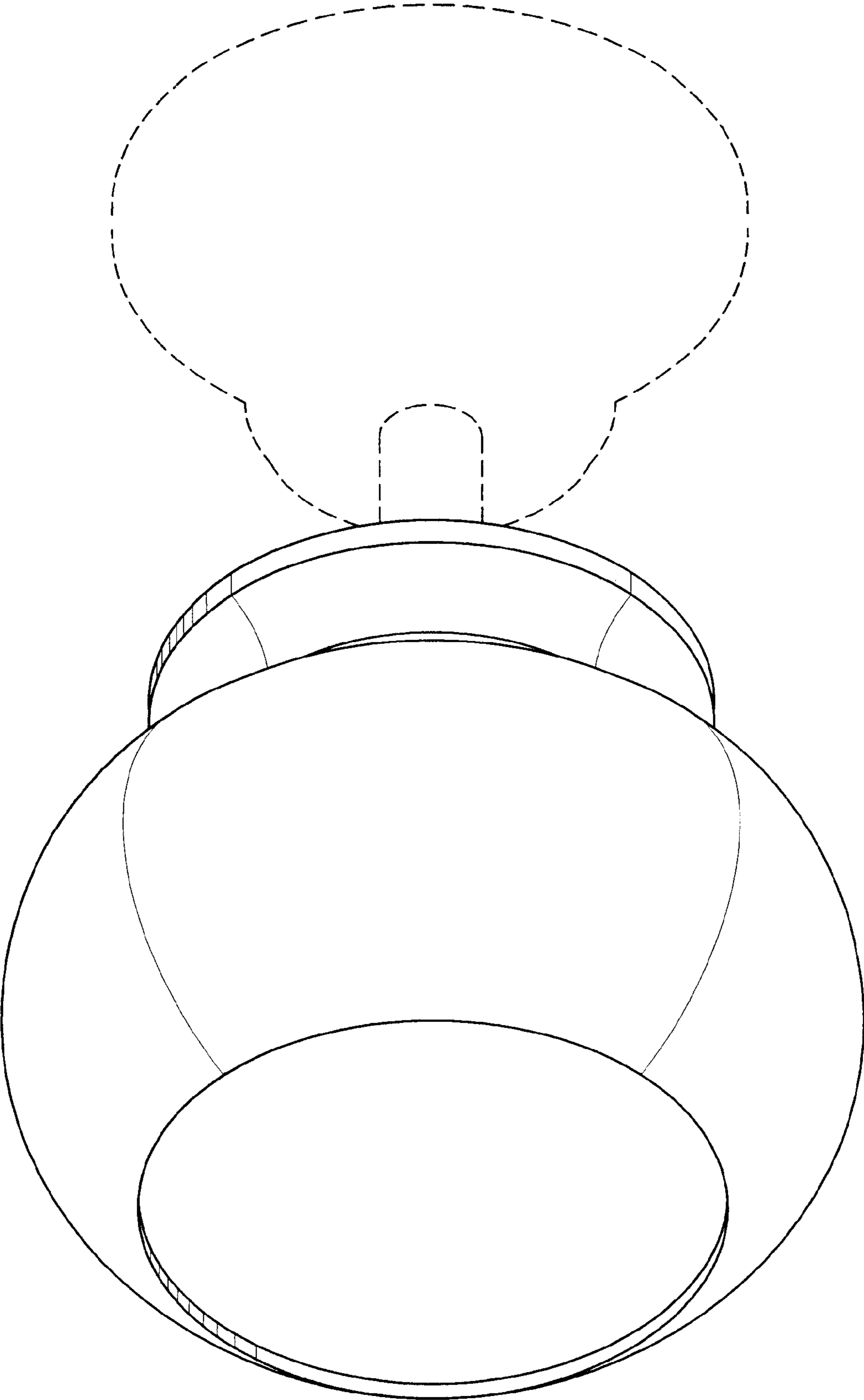


FIG. 1

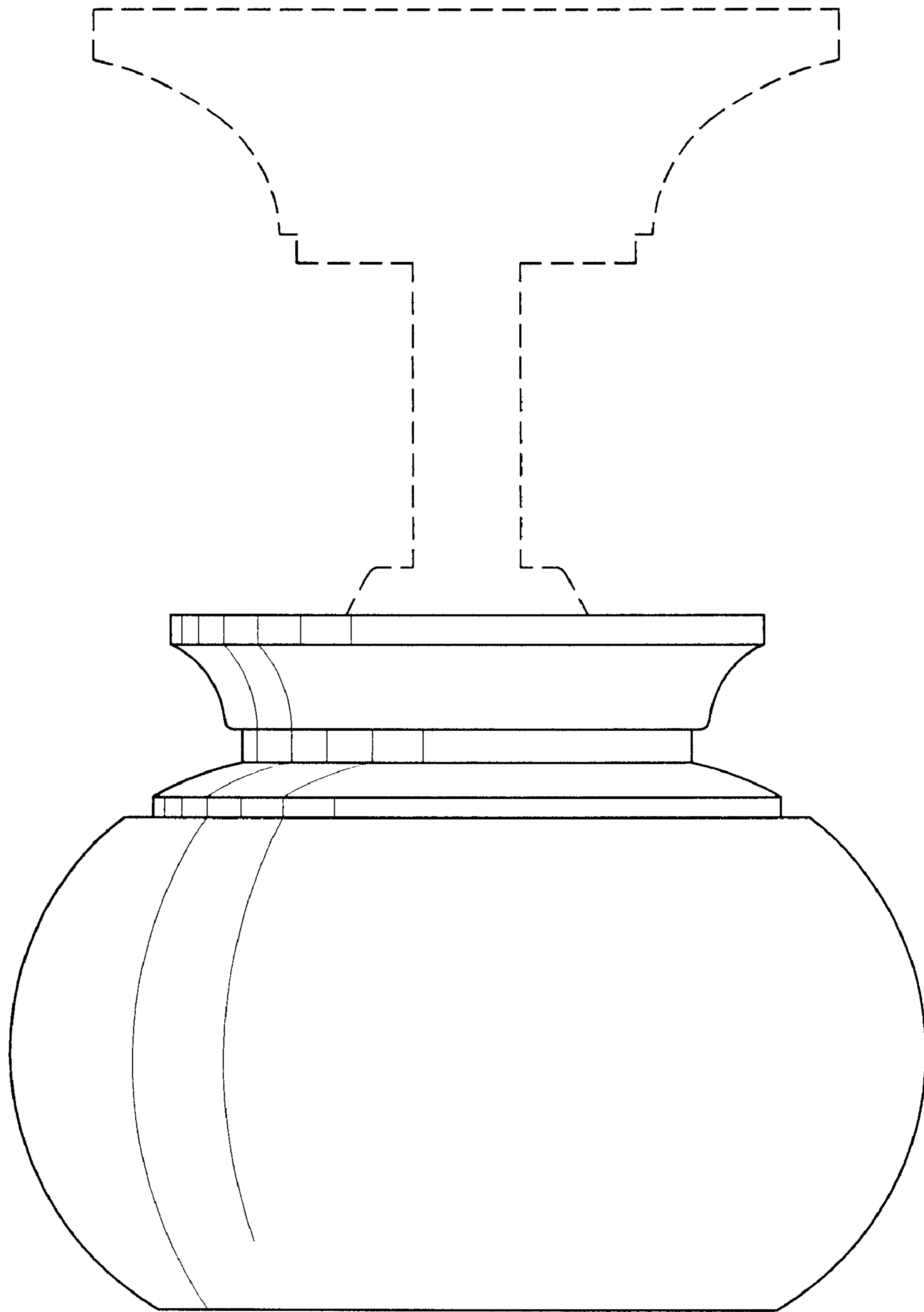


FIG. 2

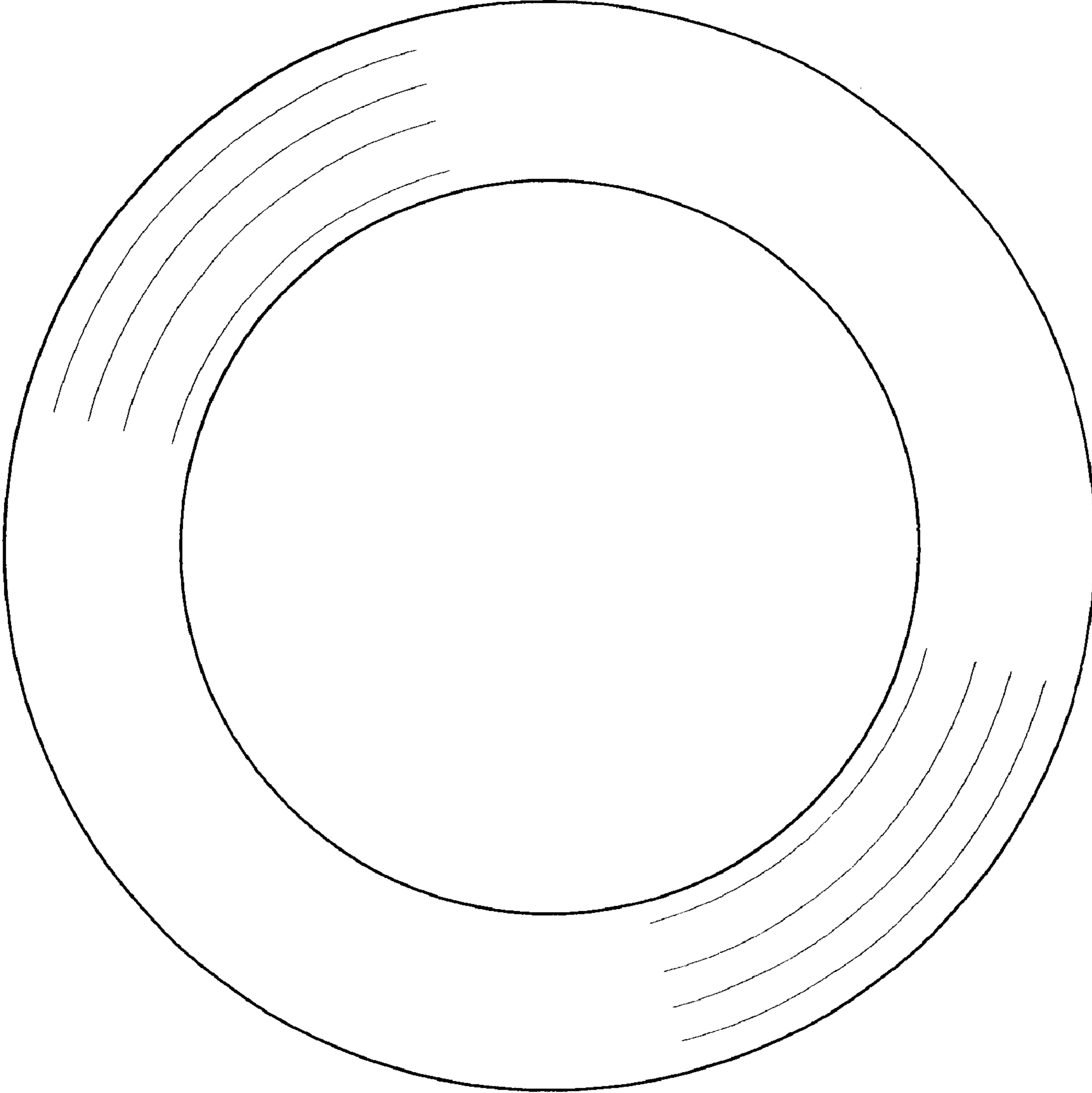


FIG. 3

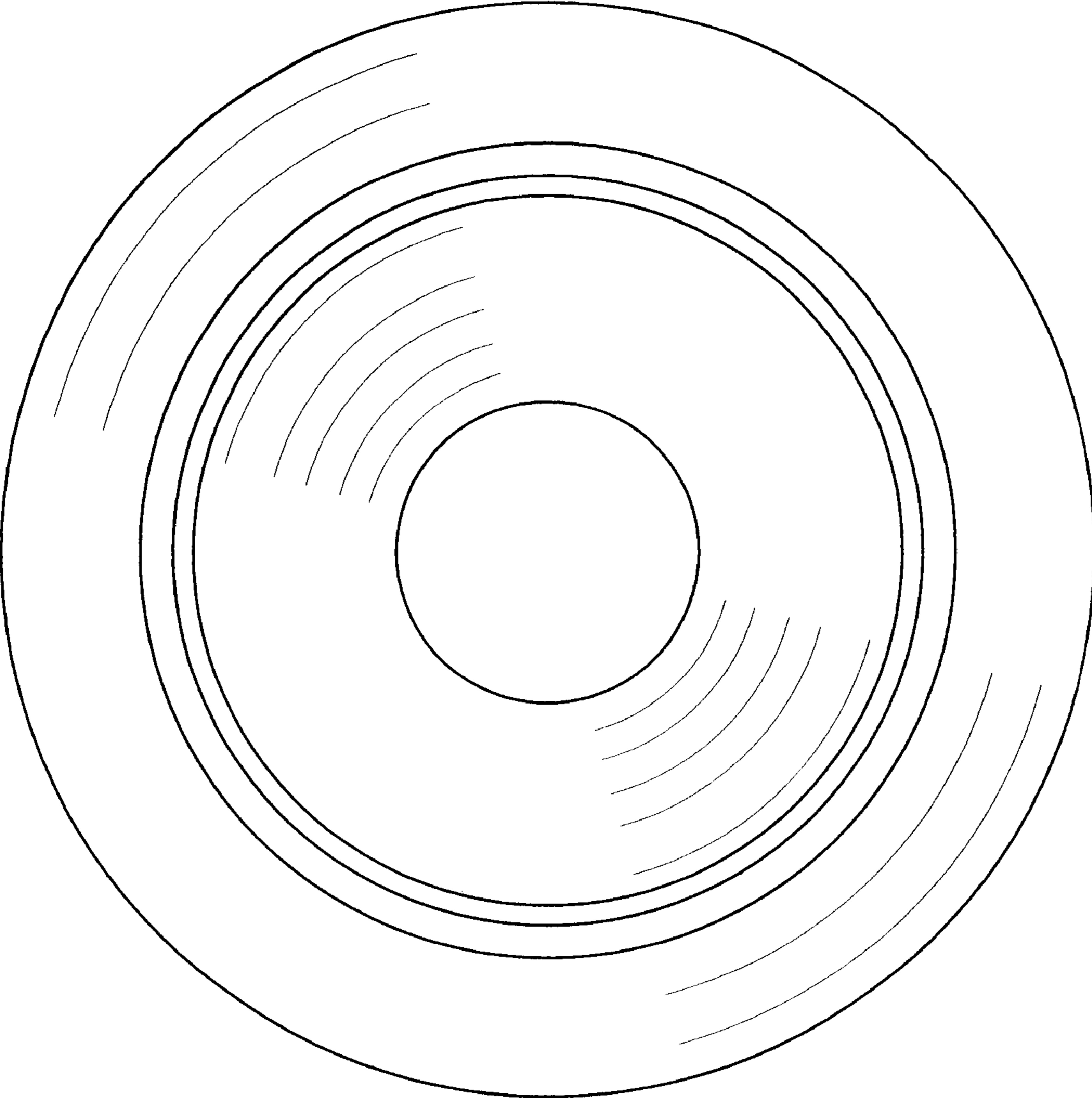


FIG. 4

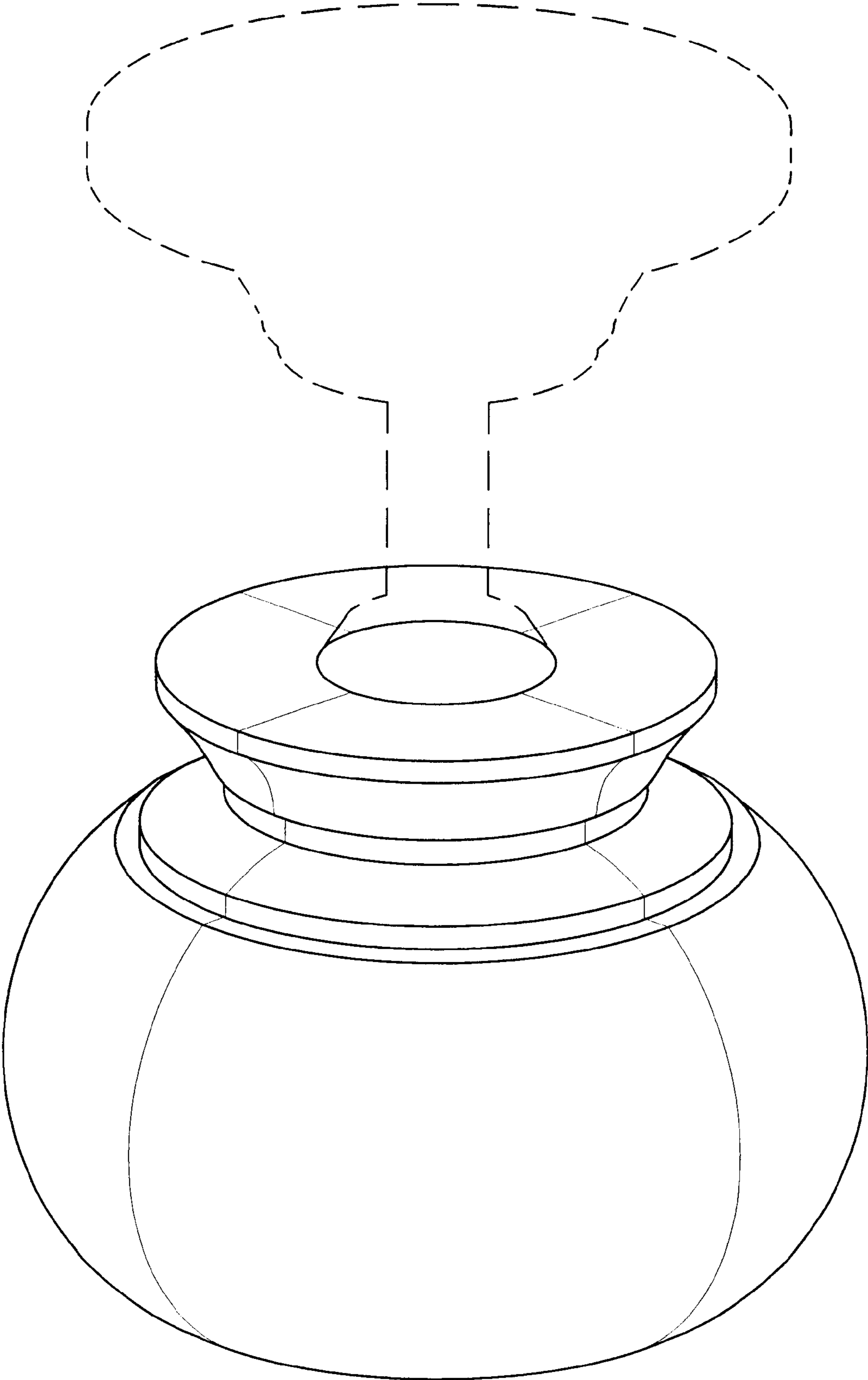


FIG. 5