



US00D535013S

(12) **United States Design Patent**  
**Du**

(10) **Patent No.:** **US D535,013 S**

(45) **Date of Patent:** **\*\* Jan. 9, 2007**

(54) **CPU COOLER**

6,698,499 B1 \* 3/2004 Wagner et al. .... 165/80.3

(76) Inventor: **Jianjun Du**, Room 3-25D, Jingpeng Building, Xinzhou North, Shenzhen (CN), 518000

\* cited by examiner

*Primary Examiner*—Lisa Lichtenstein  
(74) *Attorney, Agent, or Firm*—Hamre, Schumann, Mueller & Larson, P.C.

(\*\*) Term: **14 Years**

(57) **CLAIM**

(21) Appl. No.: **29/234,159**

The ornamental design for a “CPU cooler,” as shown and described.

(22) Filed: **Jul. 14, 2005**

(51) **LOC (8) Cl.** ..... **23-04**

**DESCRIPTION**

(52) **U.S. Cl.** ..... **D23/379**

(58) **Field of Classification Search** ..... D23/370,  
D23/379; 361/697, 695; 165/121  
See application file for complete search history.

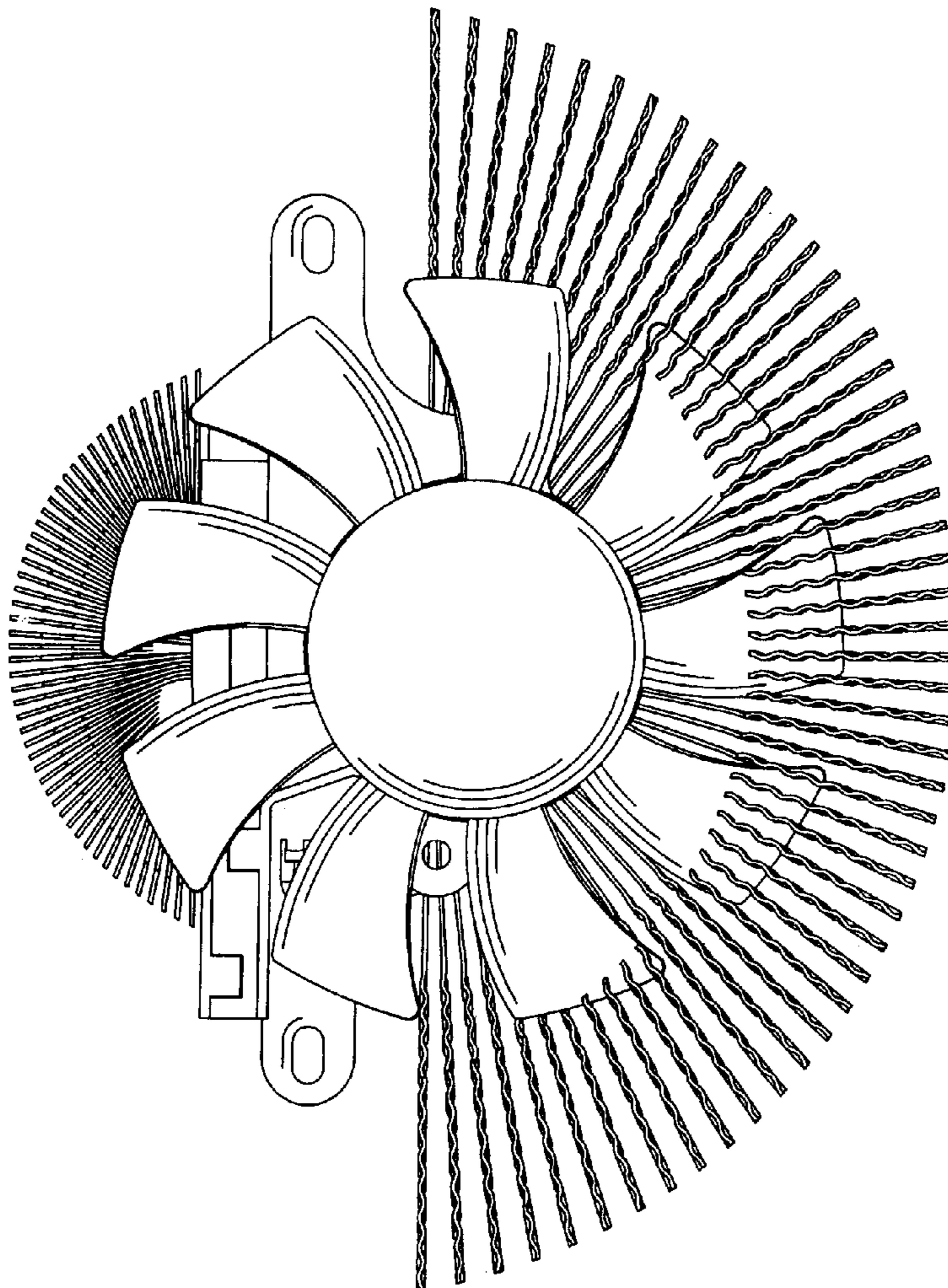
FIG. 1 is a front elevational view of a CPU cooler showing my new design;  
FIG. 2 is a rear elevational view thereof;  
FIG. 3 is a left side elevational view thereof;  
FIG. 4 is a right side elevational view thereof;  
FIG. 5 is a top plan view thereof;  
FIG. 6 is a bottom plan view thereof; and,  
FIG. 7 is a front, top and right side perspective view thereof.

(56) **References Cited**

**U.S. PATENT DOCUMENTS**

- 6,631,756 B1 \* 10/2003 Hegde ..... 165/80.3
- D483,107 S \* 12/2003 Horng et al. .... D23/379
- D483,467 S \* 12/2003 Horng et al. .... D23/379

**1 Claim, 6 Drawing Sheets**



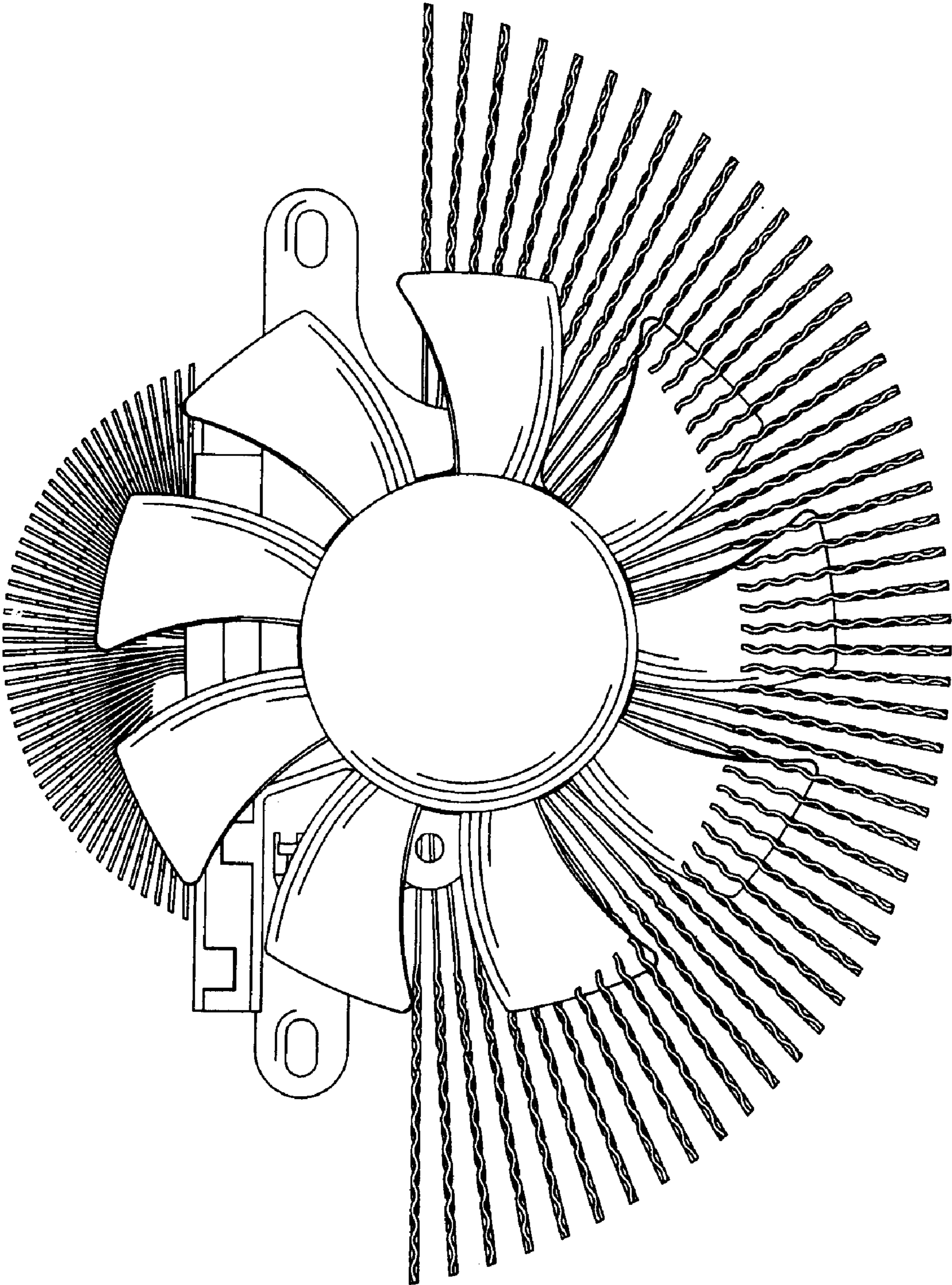


FIG. 1

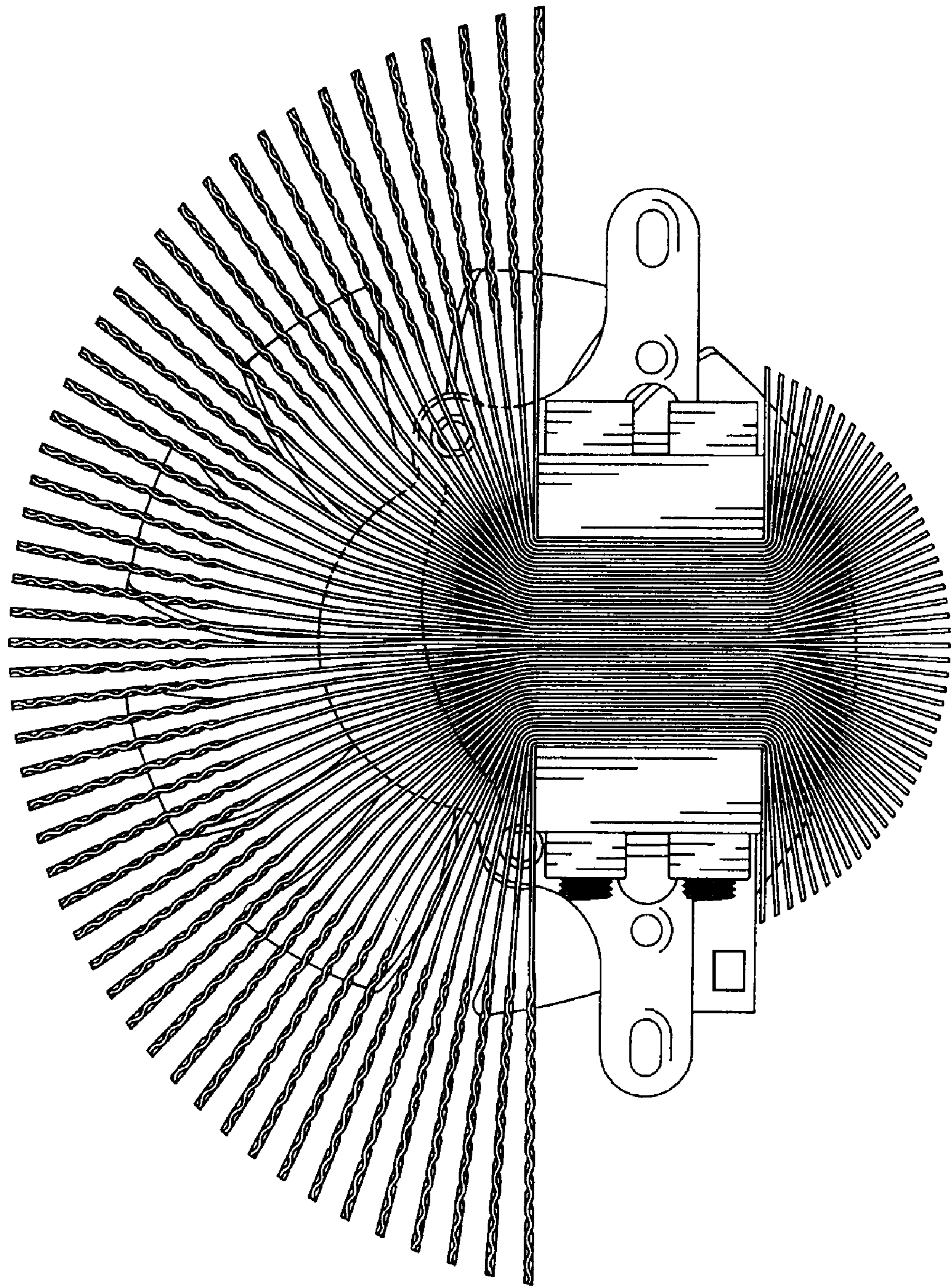


FIG. 2

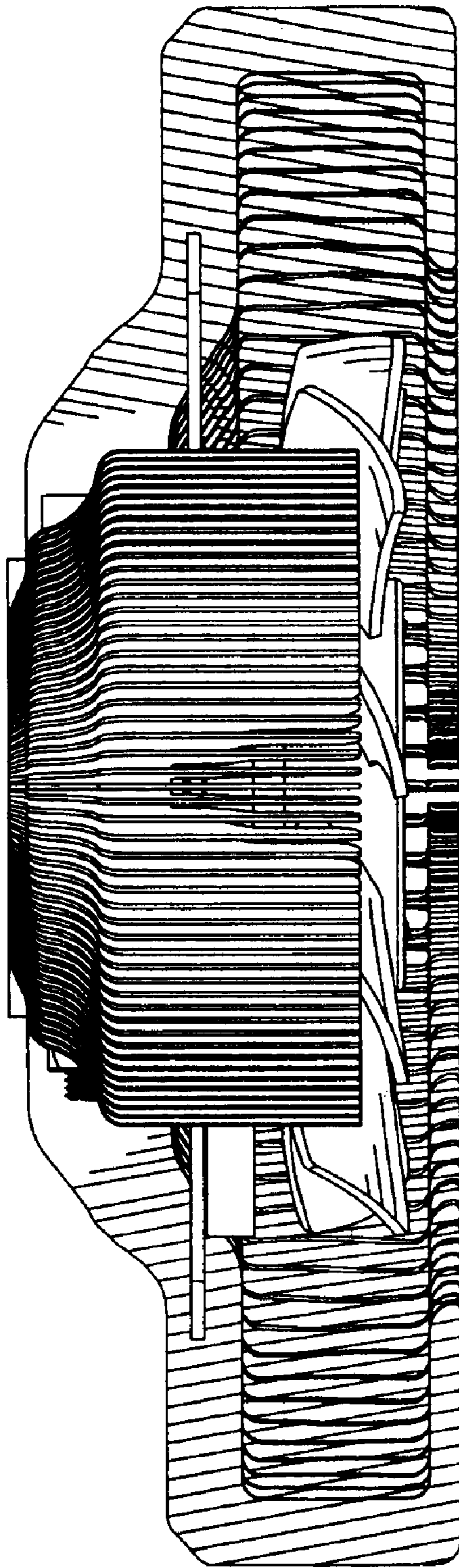


FIG. 3

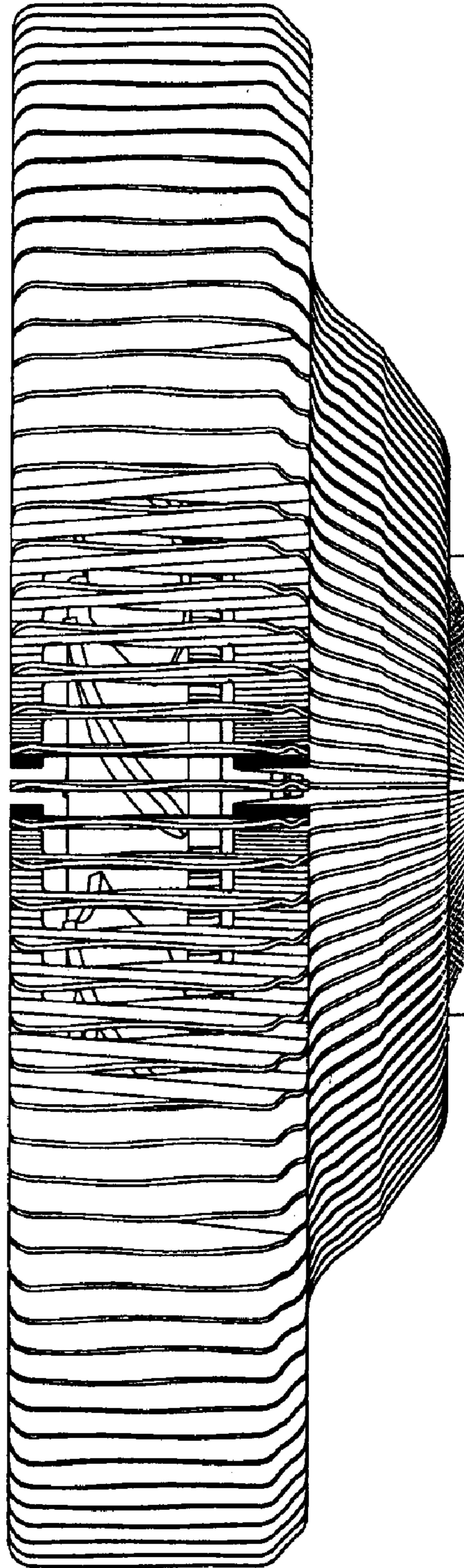


FIG. 4

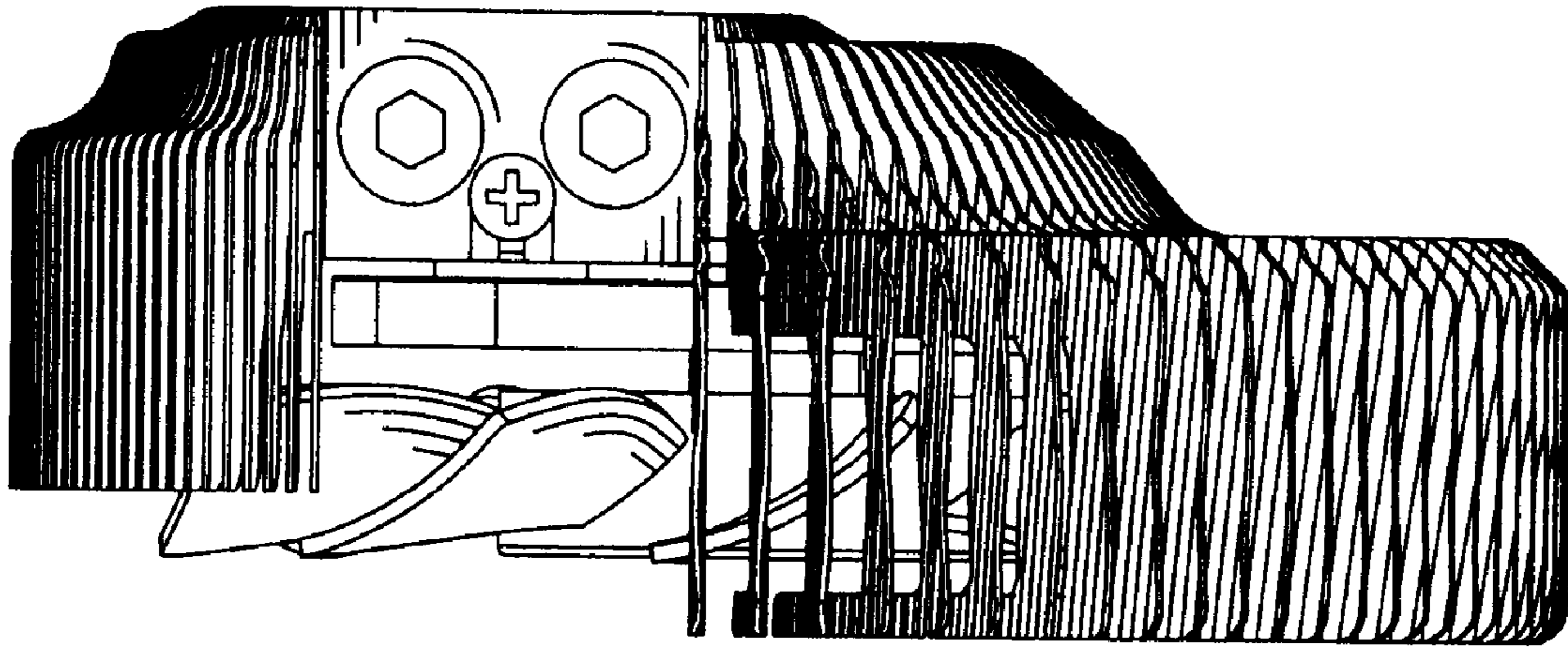


FIG. 5

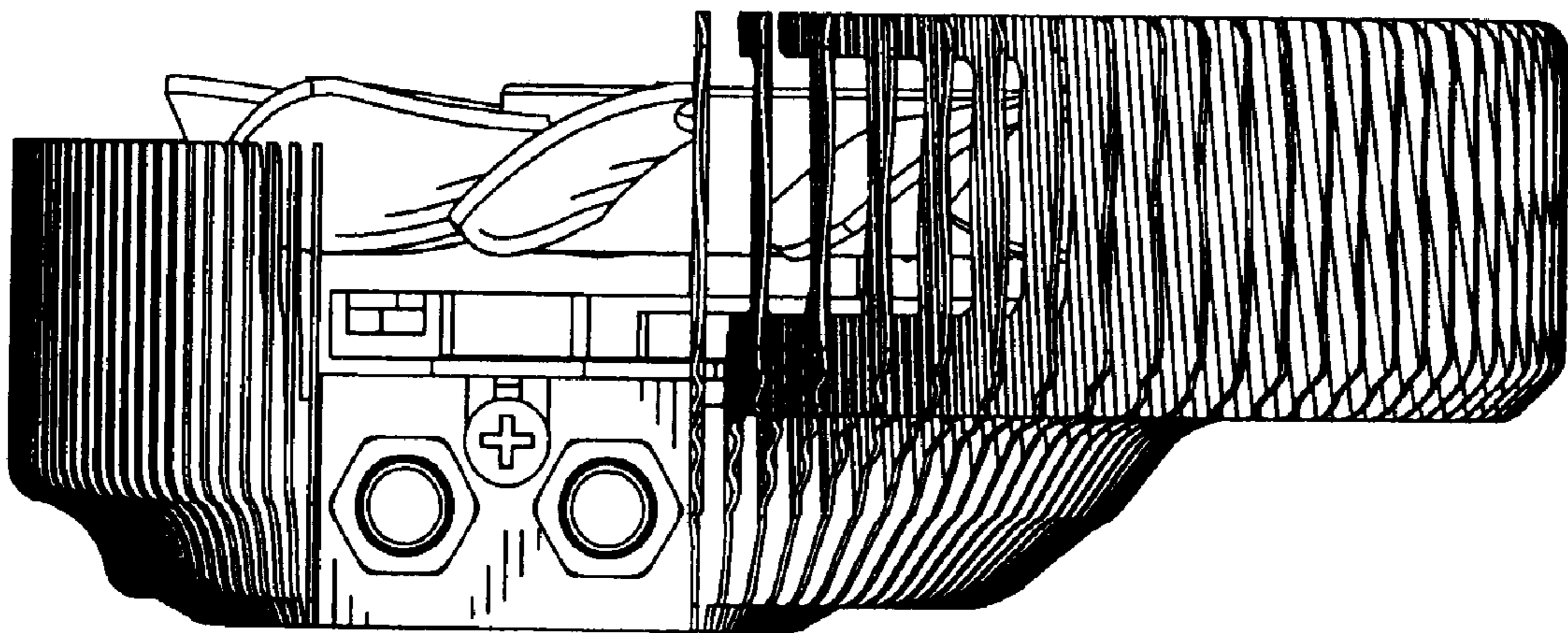


FIG. 6

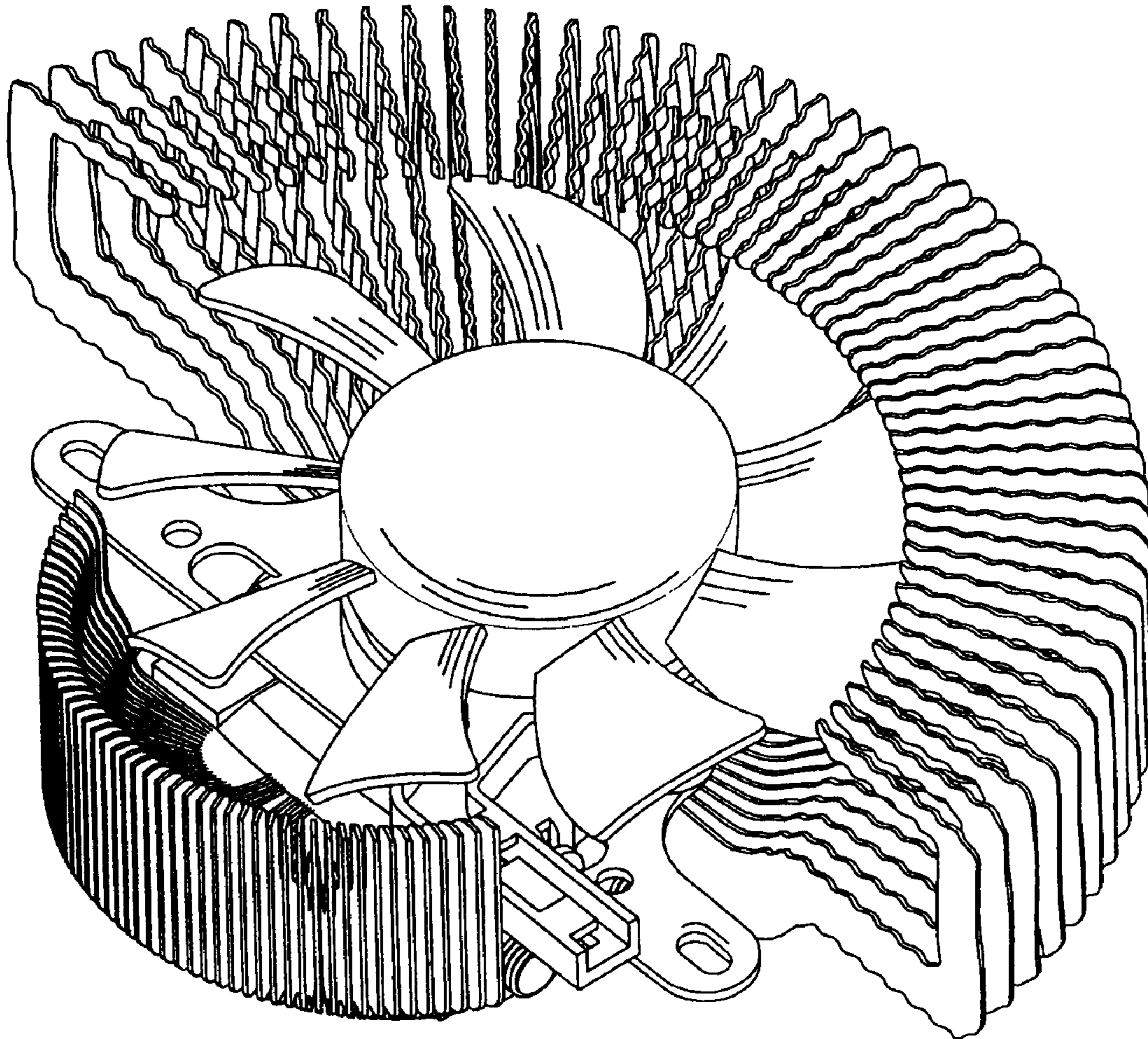


FIG. 7