



US00D535009S

(12) **United States Design Patent**  
**Sinur et al.**

(10) **Patent No.:** **US D535,009 S**

(45) **Date of Patent:** **\*\* Jan. 9, 2007**

(54) **RANGE HOOD**

(75) Inventors: **Richard R. Sinur**, Grafton, WI (US);  
**Brian R. Wellnitz**, Grafton, WI (US);  
**Gregg M. Davis**, Powell, OH (US);  
**Jeffrey T. DeBord**, Worthington, OH (US);  
**Paul E. Hsu**, Powell, OH (US);  
**Diana W. Juratovac**, Columbus, OH (US);  
**Jay F. Perkins**, Pickerington, OH (US);  
**Sean D. Montag**, Westerville, OH (US);  
**Doug S. Rubel**, Columbus, OH (US)

(73) Assignee: **Broan-NuTone LLC**, Hartford, WI (US)

(\*\*) Term: **14 Years**

(21) Appl. No.: **29/229,598**

(22) Filed: **May 9, 2005**

(51) **LOC (8) Cl.** ..... **23-04**

(52) **U.S. Cl.** ..... **D23/372**

(58) **Field of Classification Search** ..... D23/372,  
D23/371; 126/299 R, 299 D

See application file for complete search history.

(56) **References Cited**

U.S. PATENT DOCUMENTS

D450,379 S \* 11/1994 Brandon ..... D23/372

D450,829 S 11/2001 Bothe et al.  
D460,547 S \* 7/2002 Li ..... D23/372  
D473,297 S 4/2003 Bothe et al.  
D482,769 S 11/2003 Bothe et al.  
D489,805 S \* 5/2004 Vetter ..... D23/371

\* cited by examiner

*Primary Examiner*—Lisa Lichtenstein

(74) *Attorney, Agent, or Firm*—Michael Best & Friedrich LLP

(57) **CLAIM**

The ornamental design for a range hood, as shown and described.

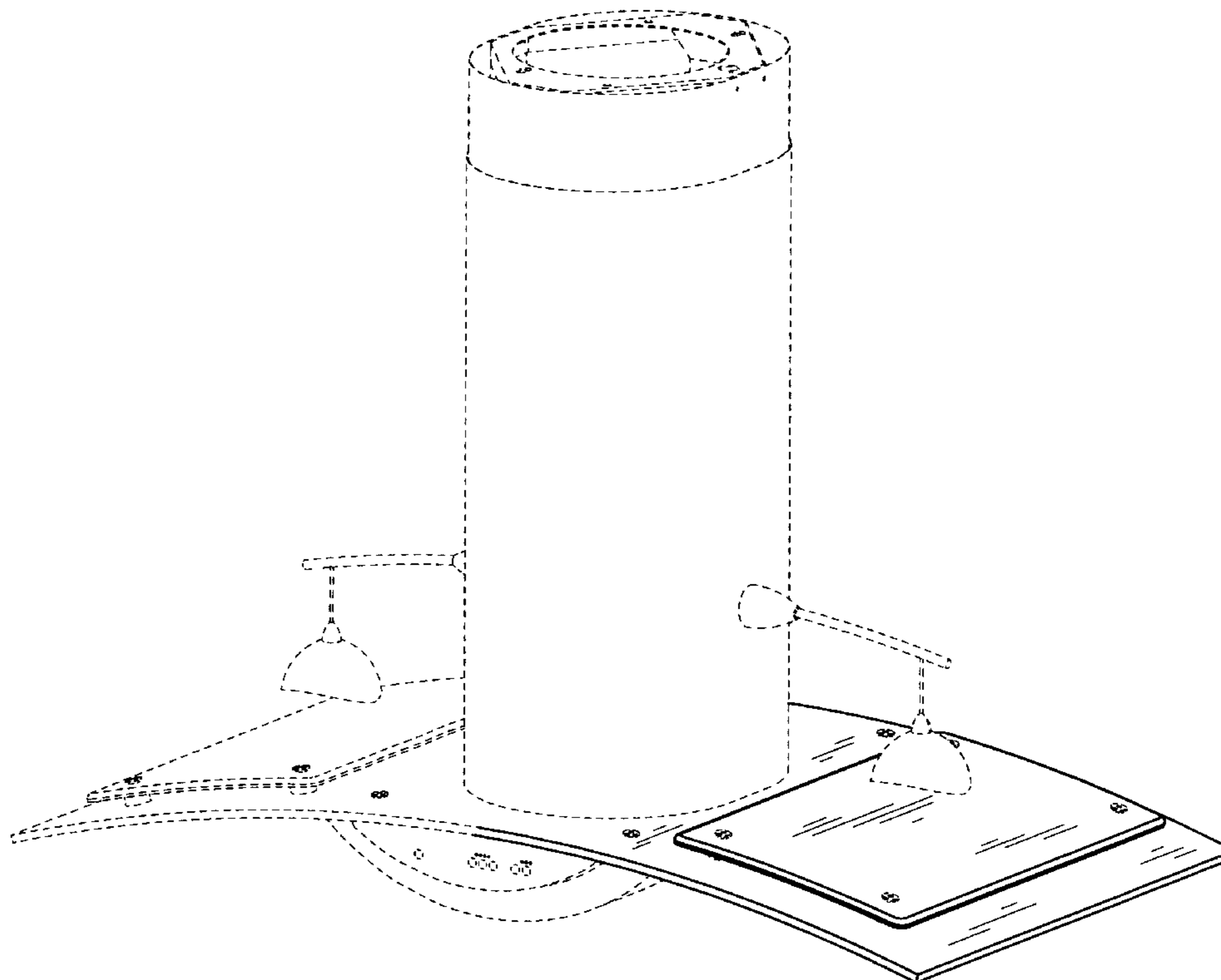
**DESCRIPTION**

FIG. 1 is a perspective view of a range hood constructed in accordance with an embodiment of the present invention; FIG. 2 is a side view of the range hood shown in FIG. 1; FIG. 3 is a front view of the range hood shown in FIGS. 1 and 2; and,

FIG. 4 is a bottom view of the range hood shown in FIGS. 1-3.

The broken line showing of environmental structure is for illustrative purposes only and forms no part of the claimed design.

**1 Claim, 3 Drawing Sheets**



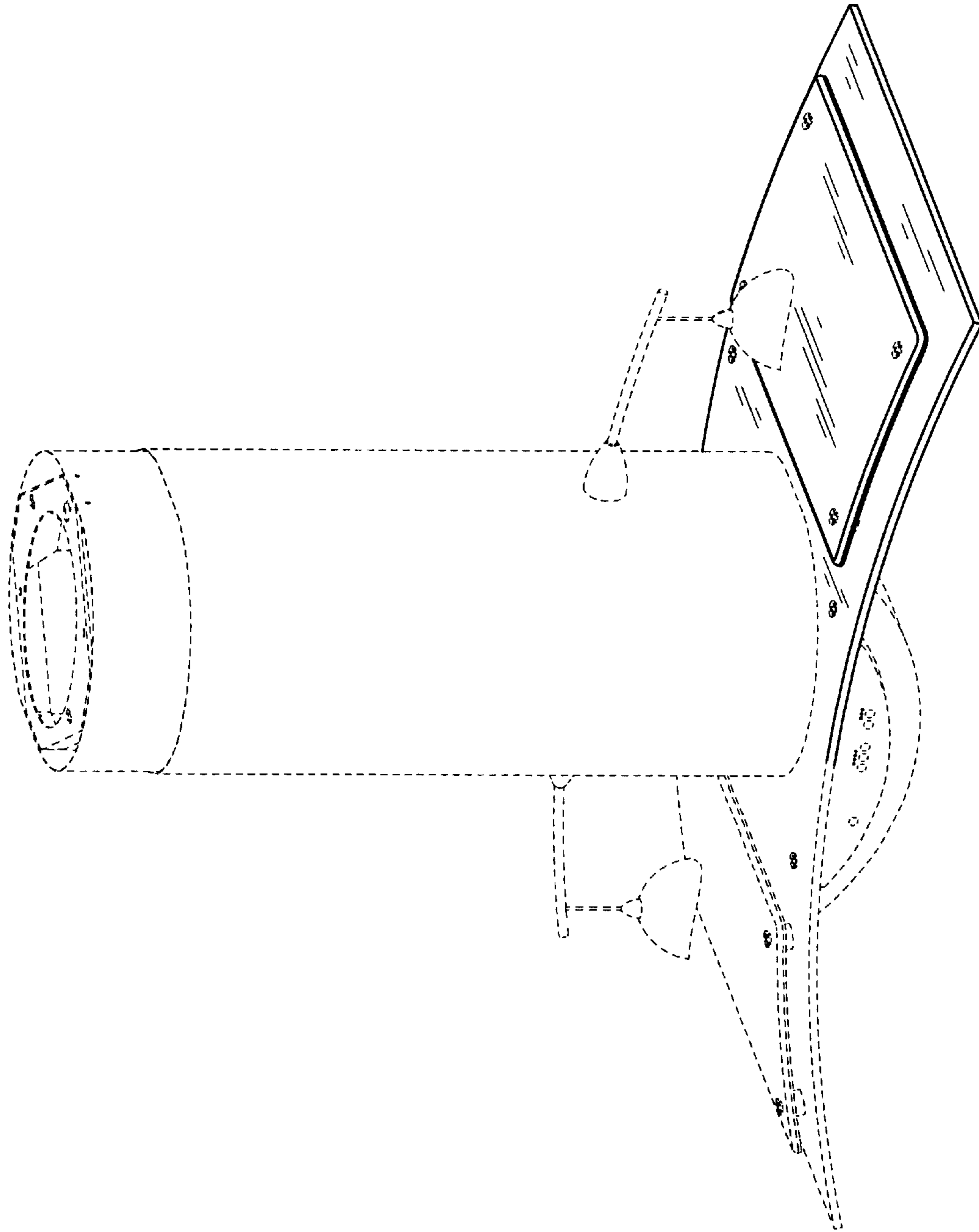


FIG. 1

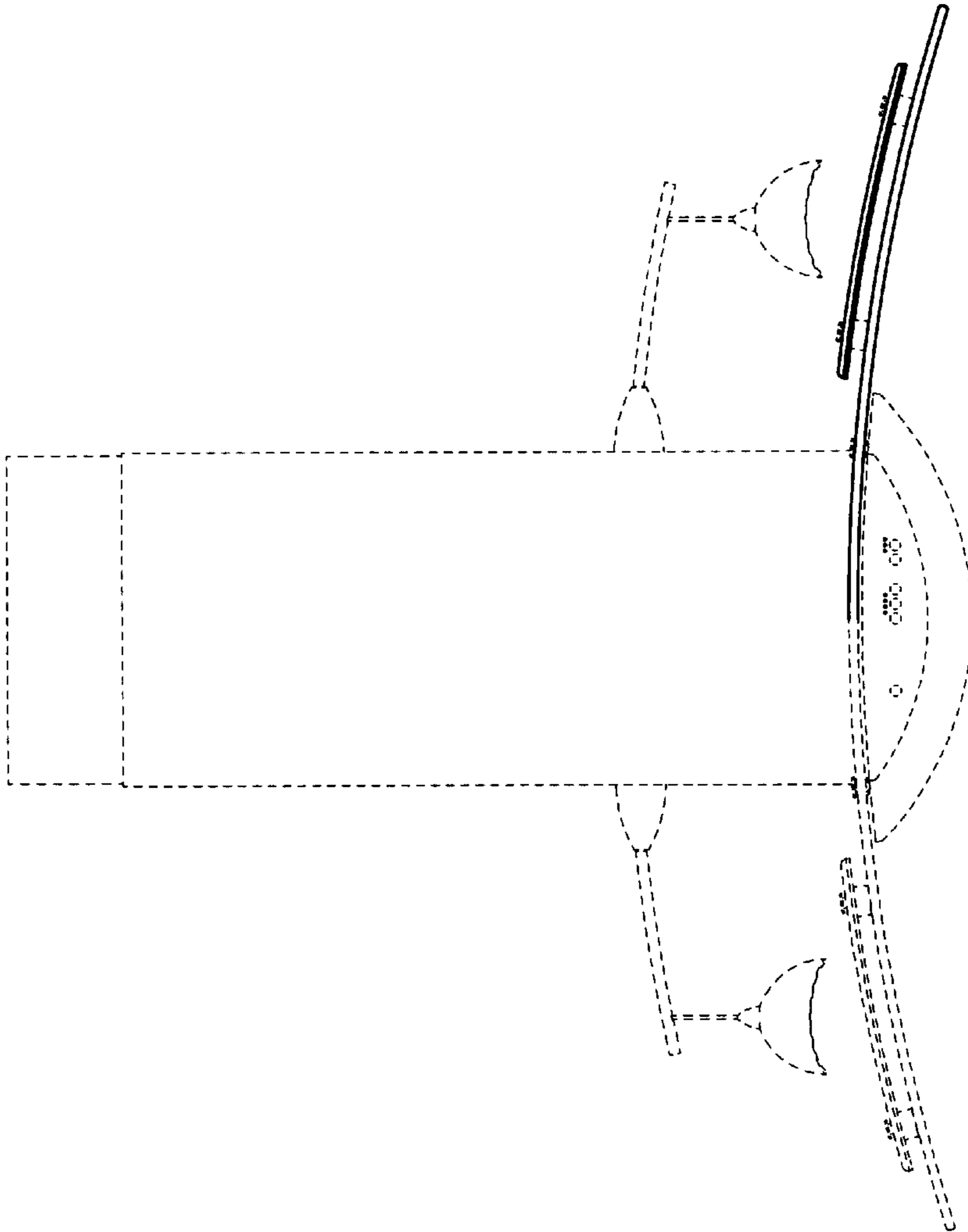


FIG. 3

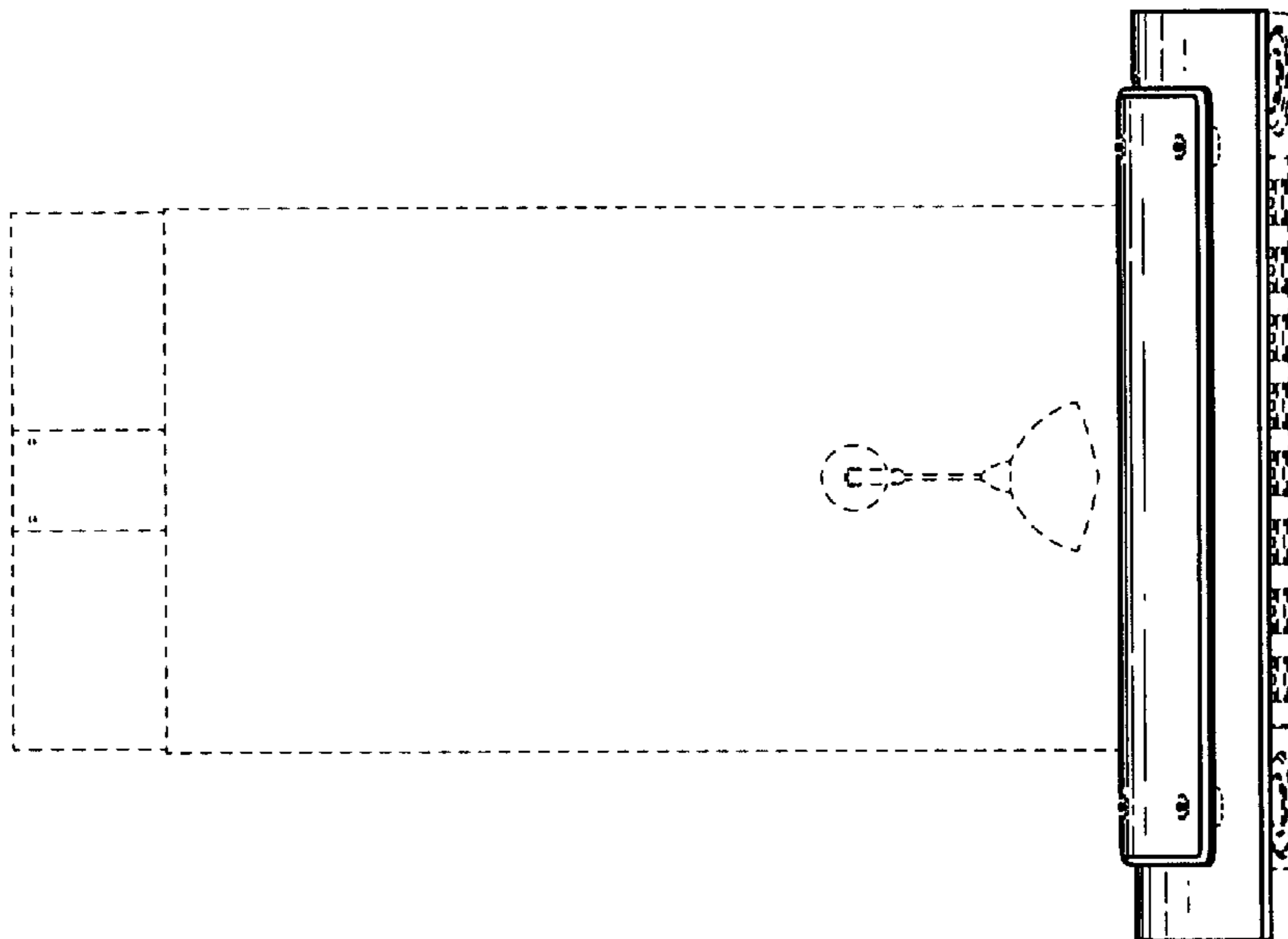
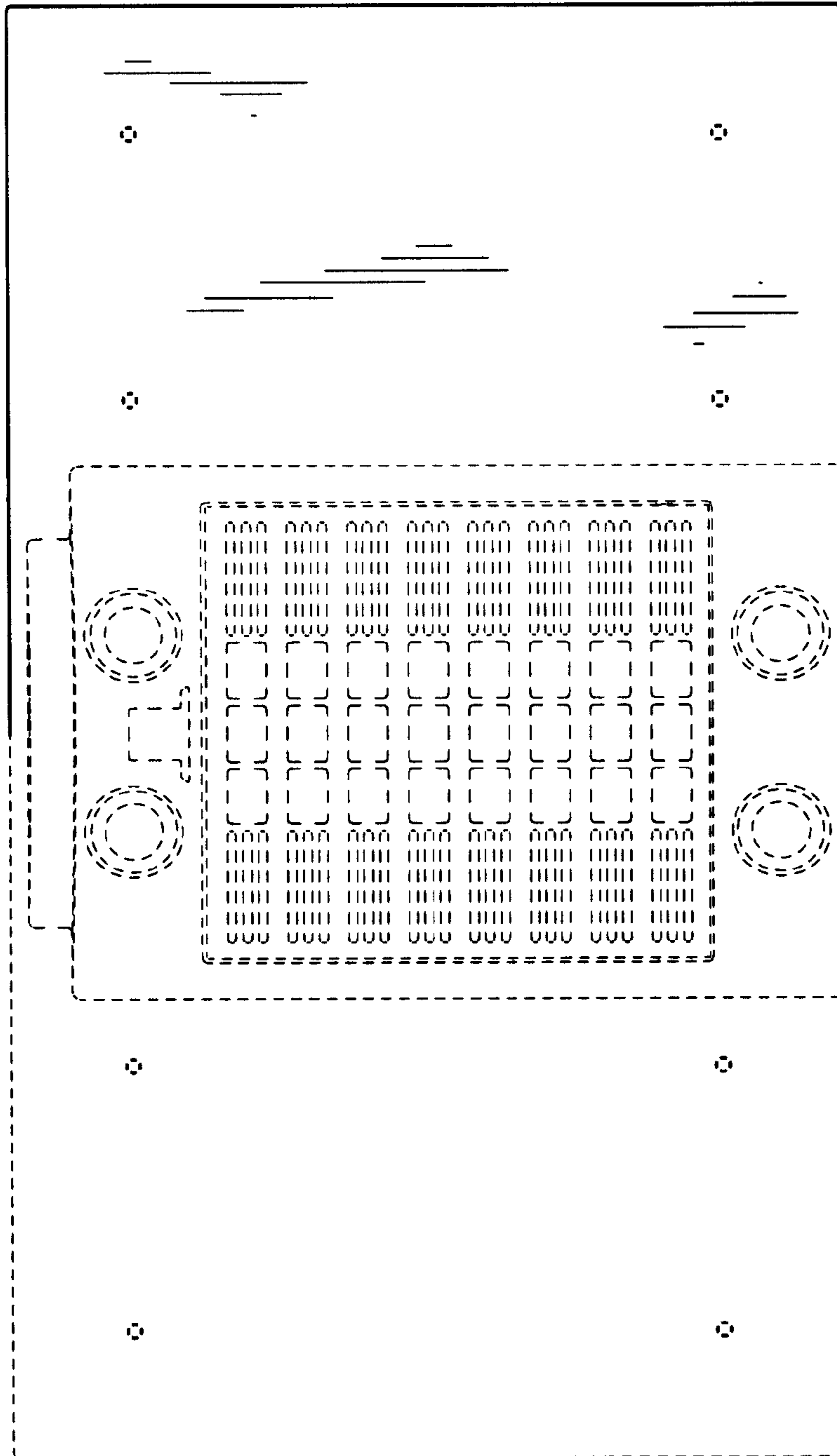


FIG. 2



**FIG. 4**