



US00D535007S

(12) **United States Design Patent**
Koon

(10) **Patent No.:** **US D535,007 S**

(45) **Date of Patent:** **** Jan. 9, 2007**

(54) **AUTOMOBILE AIR FRESHENER**
(76) Inventor: **Jonathan Koon**, 68-05 Fresh Meadows
La., Fresh Meadows, NY (US) 11365
(**) Term: **14 Years**

D403,420 S * 12/1998 Vullion D23/367
D447,549 S * 9/2001 Gieseke et al. D23/365
D474,140 S * 5/2003 Chirala D12/209
D510,898 S * 10/2005 Fowlkes D12/209
D516,491 S * 3/2006 Noriega D12/211
D517,673 S * 3/2006 Yamamoto et al. D23/366

(21) Appl. No.: **29/238,457**

(22) Filed: **Sep. 15, 2005**

(51) **LOC (8) Cl.** **28-99**

(52) **U.S. Cl.** **D23/367; 12/209**

(58) **Field of Classification Search** 392/386,
392/390-394, 398, 401, 403, 405-406; 239/135-136,
239/34, 35, 56-58, 37, 41, 42, 60; 261/DIG. 17,
261/DIG. 65, DIG. 88, DIG. 89; D23/355-369;
D12/209, 211

See application file for complete search history.

(56) **References Cited**

U.S. PATENT DOCUMENTS

2,761,527 A * 9/1956 Dreznes 55/495
D274,462 S * 6/1984 Rakocy et al. D23/365

* cited by examiner

Primary Examiner—Sandra S. Snapp

(74) *Attorney, Agent, or Firm*—Ido Tuchman

(57) **CLAIM**

The ornamental design for an automobile air freshener, as shown and described.

DESCRIPTION

FIG. 1 is a perspective view showing my design.

FIG. 2 is a top plan view thereof.

FIG. 3 is a front elevation view thereof.

FIG. 4 is a left side elevation view thereof, the right side view being a mirror image thereof; and,

FIG. 5 is a rear elevation view thereof.

1 Claim, 3 Drawing Sheets

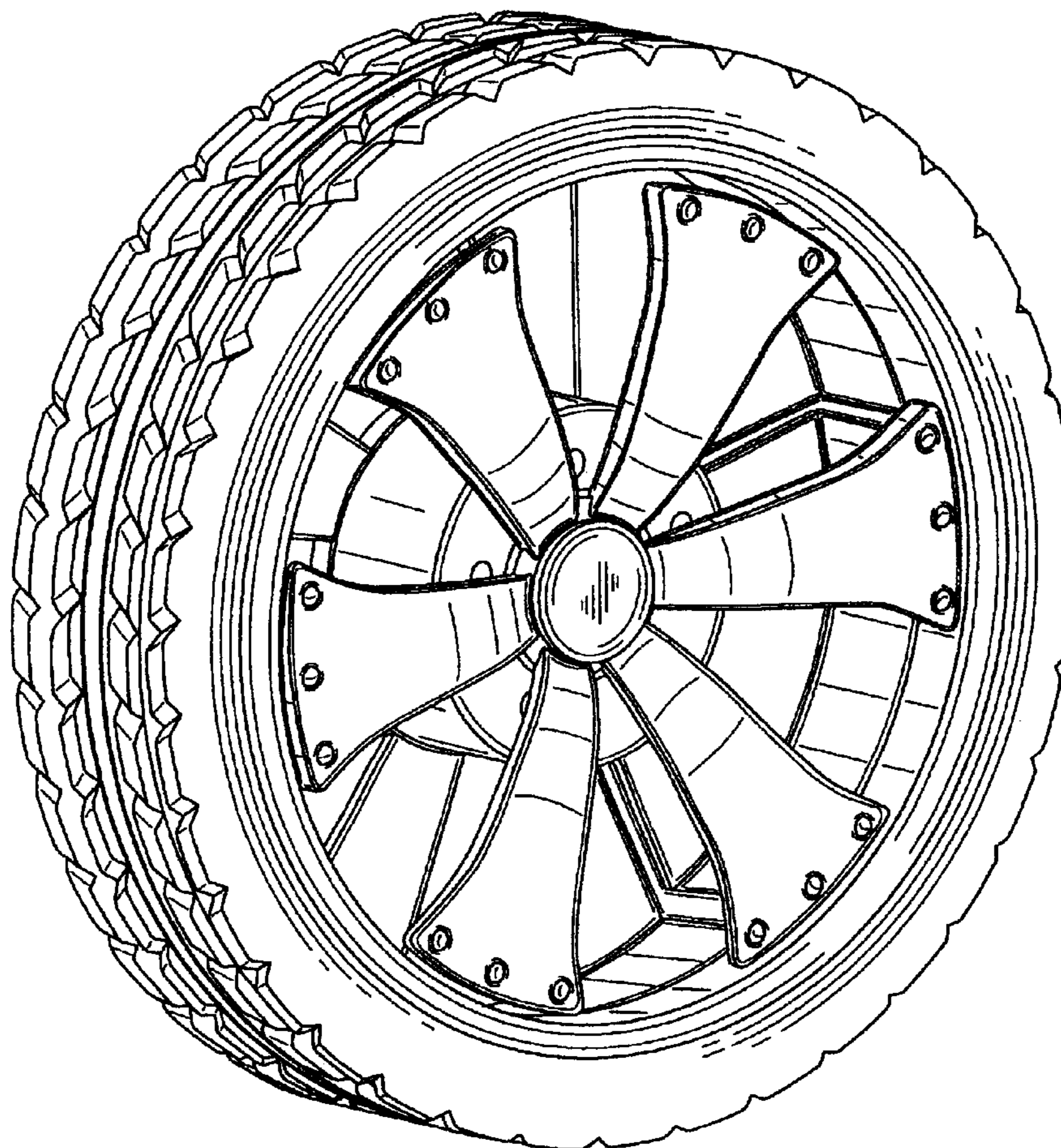


FIG. 1

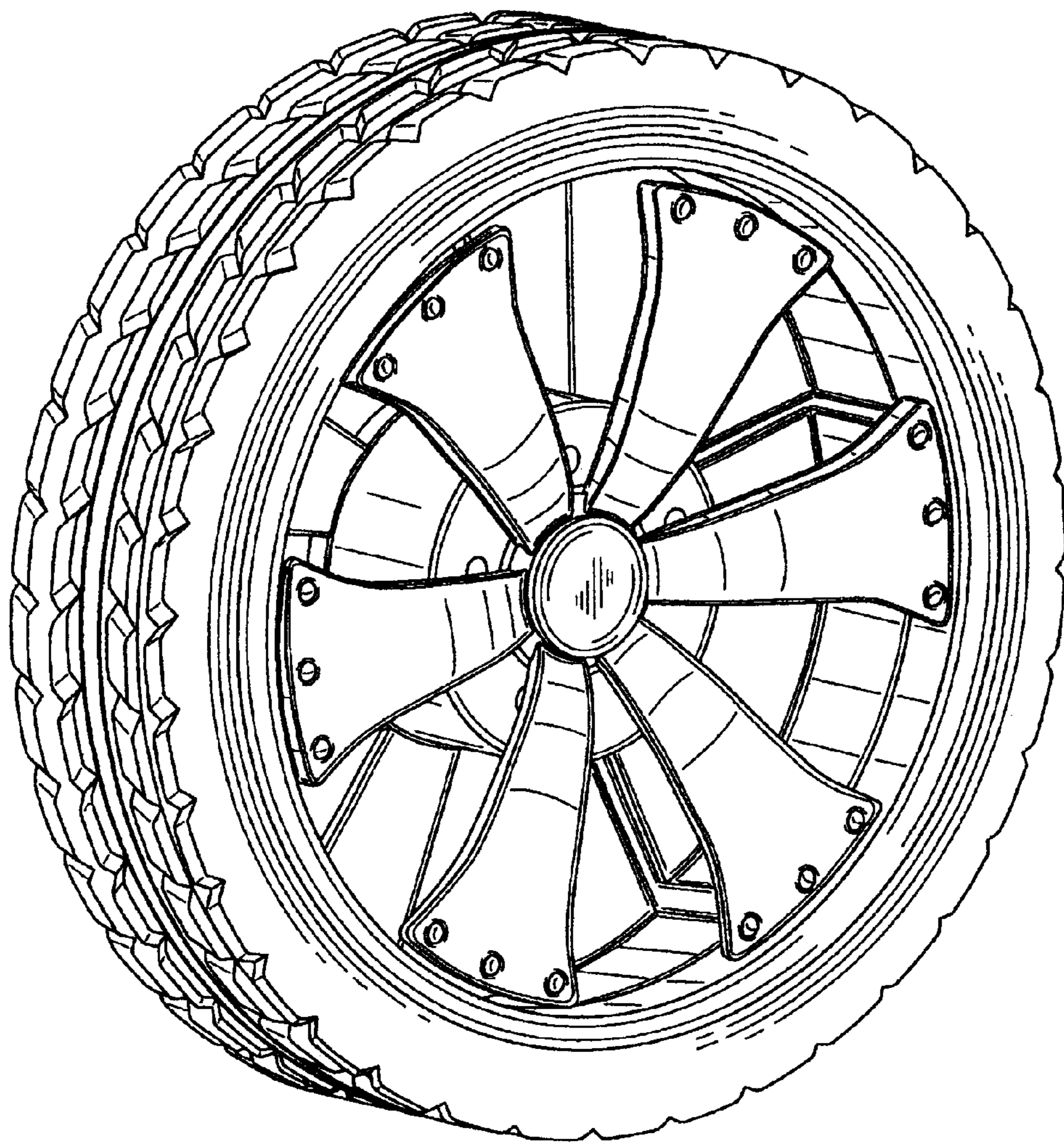


FIG. 2

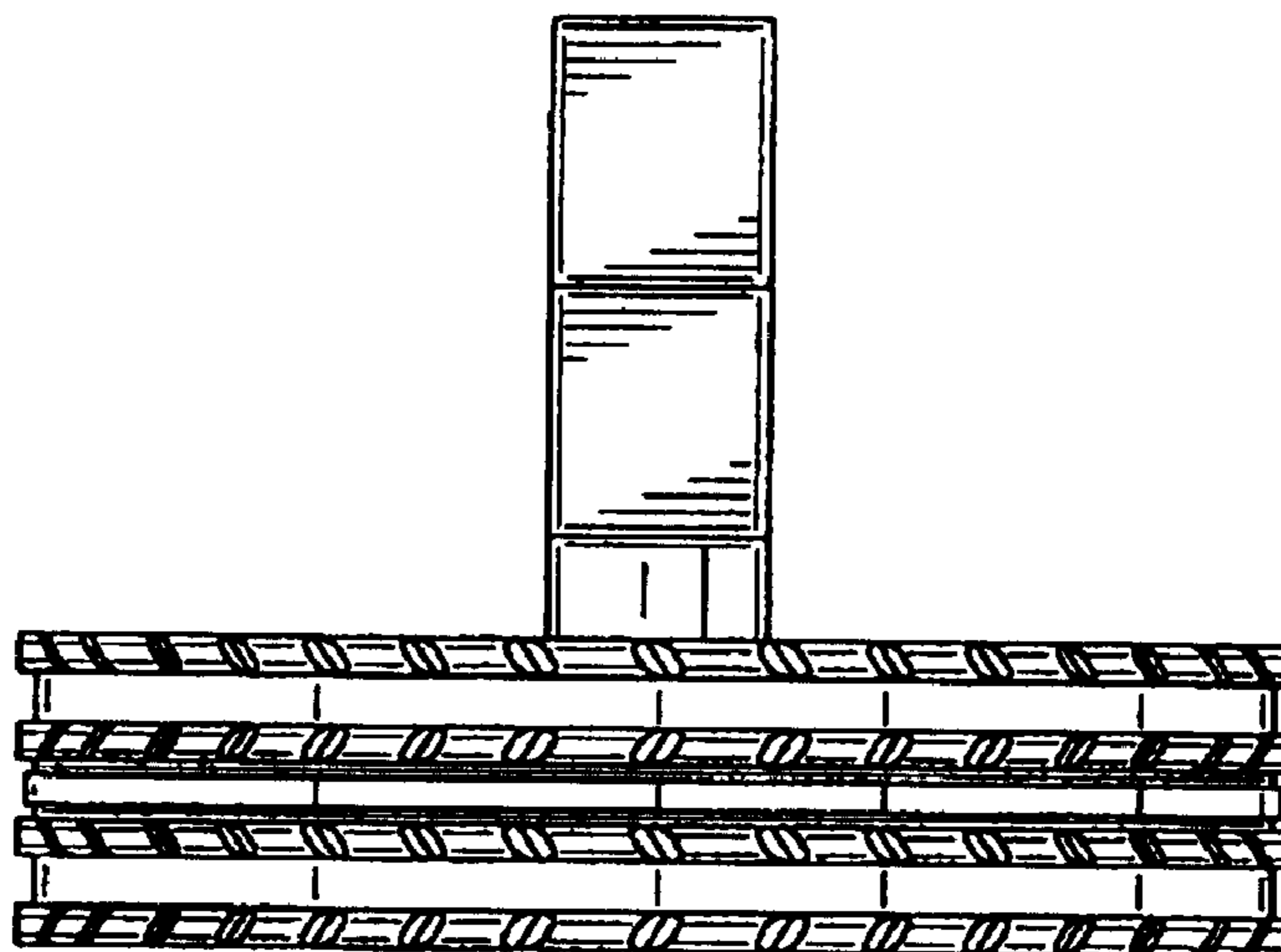


FIG. 3

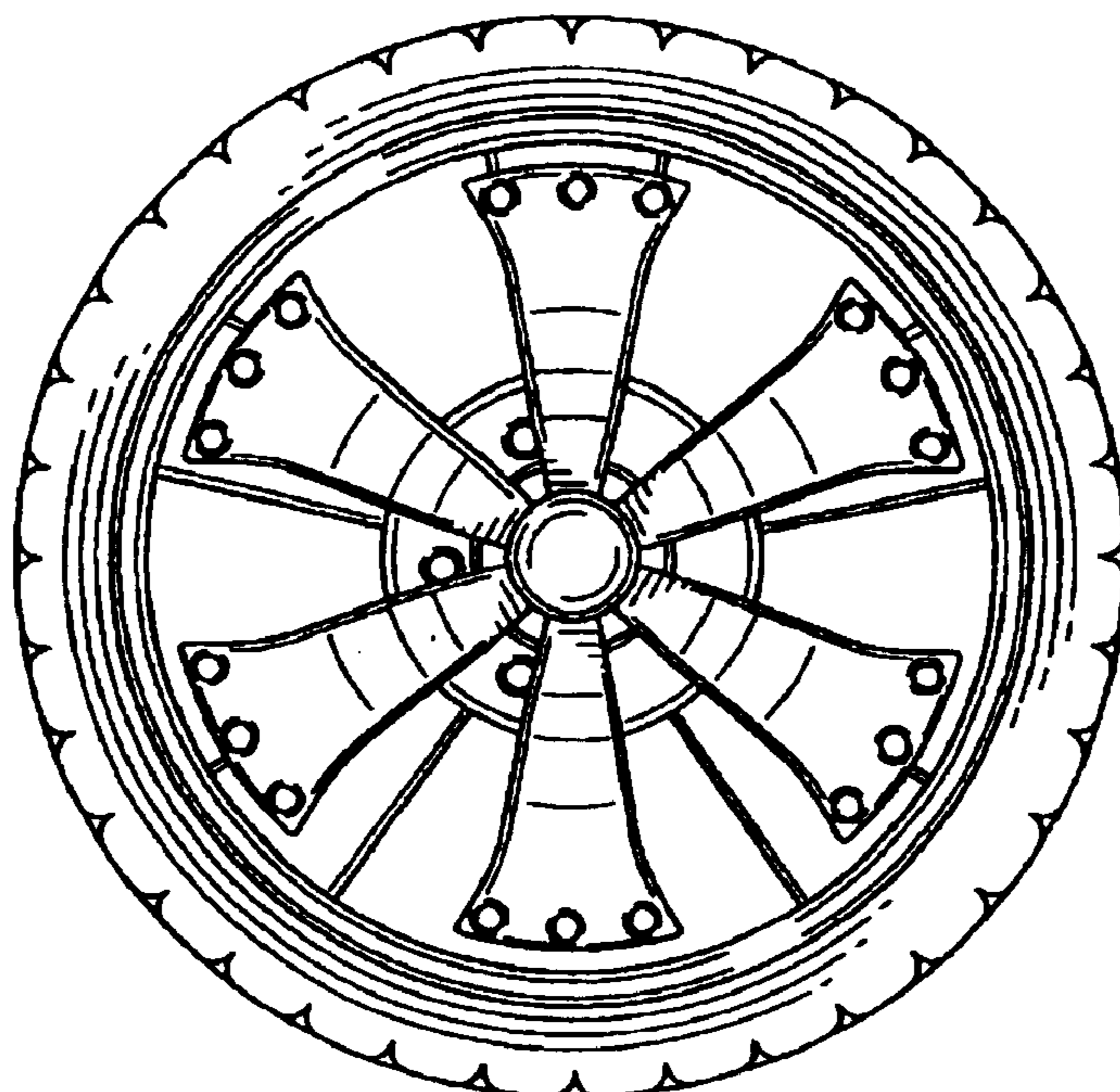


FIG. 4

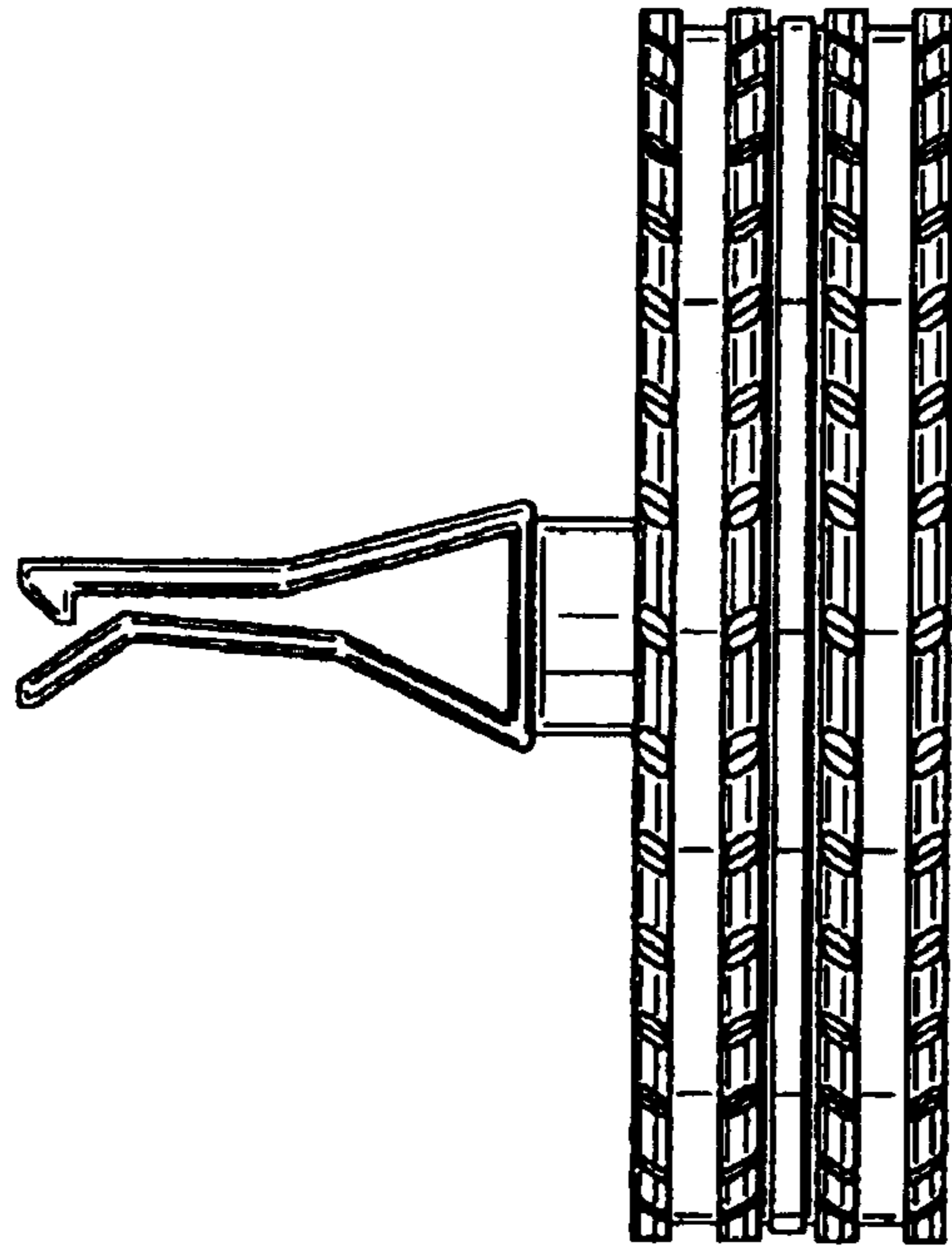


FIG. 5

