



US00D535002S

(12) **United States Design Patent**  
**Caserta et al.**

(10) **Patent No.:** **US D535,002 S**  
(45) **Date of Patent:** **\*\* Jan. 9, 2007**

(54) **VAPORIZER**

(75) Inventors: **Andrea Caserta**, Barcelona (ES);  
**Cedric Morhain**, Barcelona (ES);  
**David Moreno Perez**, Barcelona (ES);  
**Jose Antonio Muñoz Martinez**,  
Barcelona (ES)

(73) Assignee: **Zobelespana, S.A.**, Barcelona (ES)

(\*\*) Term: **14 Years**

(21) Appl. No.: **29/229,613**

(22) Filed: **May 10, 2005**

(51) **LOC (8) Cl.** ..... **28-99**

(52) **U.S. Cl.** ..... **D23/366**

(58) **Field of Classification Search** ..... 392/386,  
392/390-394, 398, 401, 403, 405-406; 239/135-136,  
239/34, 35, 56-58, 37, 41, 42, 60; 261/DIG. 17,  
261/DIG. 65, DIG. 88, DIG. 89; D23/355-369  
See application file for complete search history.

(56) **References Cited**

**U.S. PATENT DOCUMENTS**

4,214,146	A	*	7/1980	Schimanski	.....	392/390
D274,837	S	*	7/1984	Lynch et al.	.....	D23/364
4,467,177	A	*	8/1984	Zobelespana	.....	392/392
D307,469	S	*	4/1990	Gutkowski	.....	D23/367
D318,613	S	*	7/1991	Halm et al.	.....	D32/29.1
D319,583	S	*	9/1991	Halm et al.	.....	D32/29.1

D319,781	S	*	9/1991	Halm et al.	.....	D32/29.1
D460,168	S	*	7/2002	Chen	.....	D23/364
D478,973	S	*	8/2003	Wagner	.....	D23/367
D484,229	S	*	12/2003	Upson	.....	D23/366
D484,585	S	*	12/2003	Upson	.....	D23/366
6,880,765	B1	*	4/2005	Tuomikoski et al.	.....	239/44
D509,890	S	*	9/2005	Stavale et al.	.....	D23/366
D510,991	S	*	10/2005	Harbutt et al.	.....	D23/366
D521,620	S	*	5/2006	Tseng et al.	.....	D23/364
D522,118	S	*	5/2006	Miro	.....	D23/366
2003/0080197	A1	*	5/2003	Tuomikoski et al.	.....	239/44

\* cited by examiner

*Primary Examiner*—Sandra S. Snapp

(74) *Attorney, Agent, or Firm*—Katten Muchin Rosenman LLP

(57) **CLAIM**

The ornamental design for a vaporizer, as shown and described.

**DESCRIPTION**

FIG. 1 is a front perspective view of the vaporizer showing our new design;

FIG. 2 is a left side view thereof;

FIG. 3 is a top view thereof;

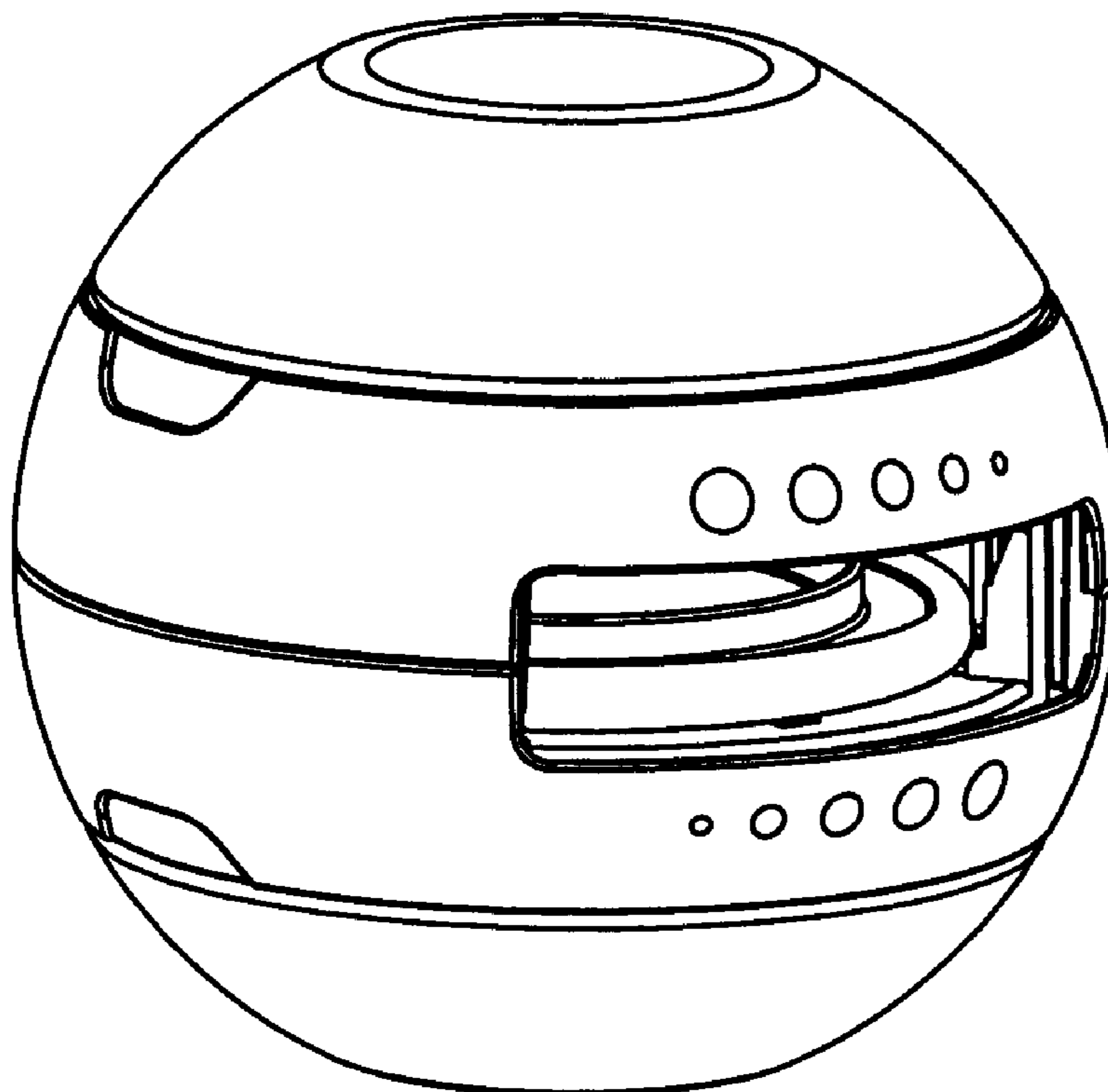
FIG. 4 is a front side view thereof;

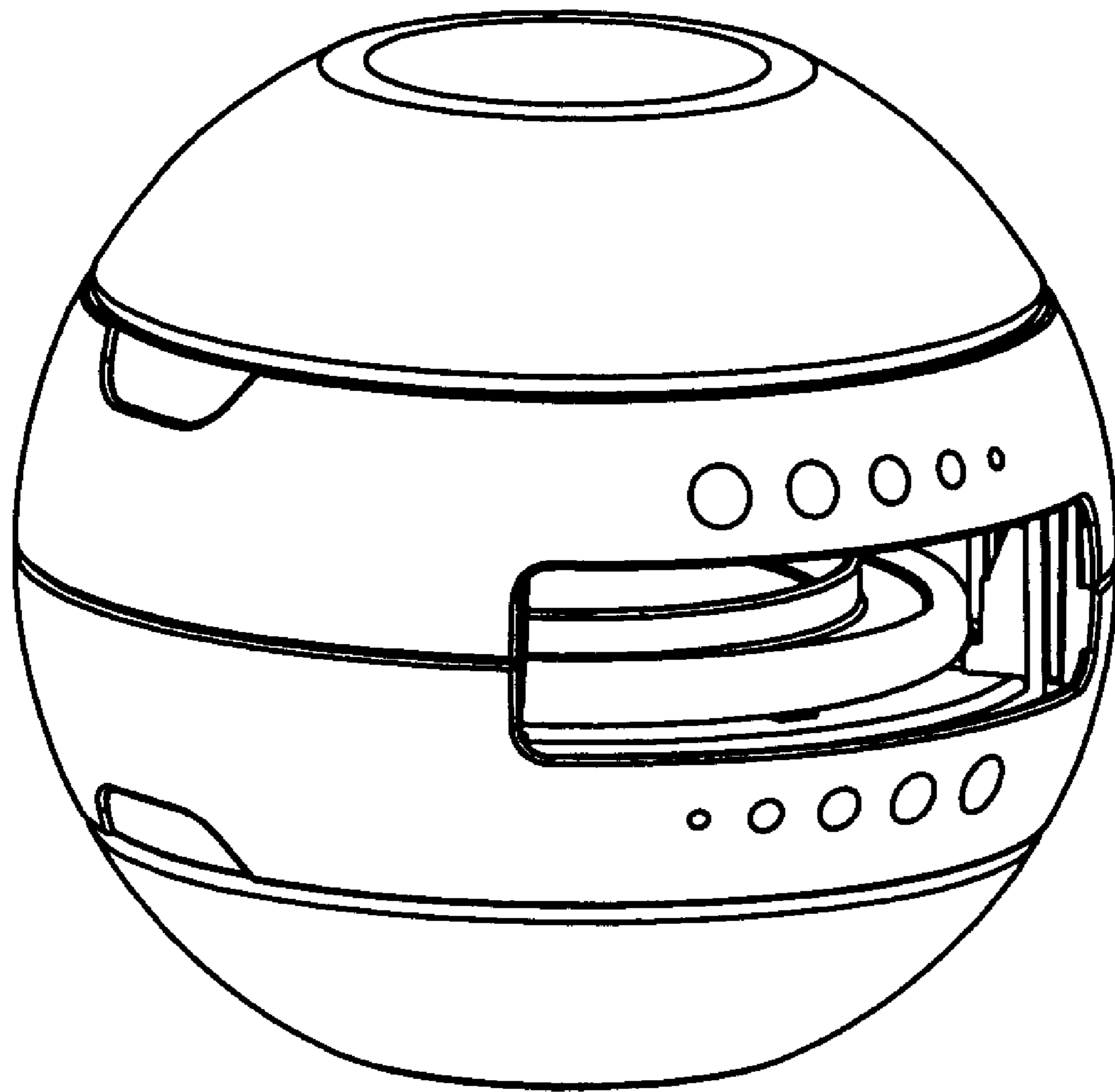
FIG. 5 is a right view thereof;

FIG. 6 is a bottom view thereof; and,

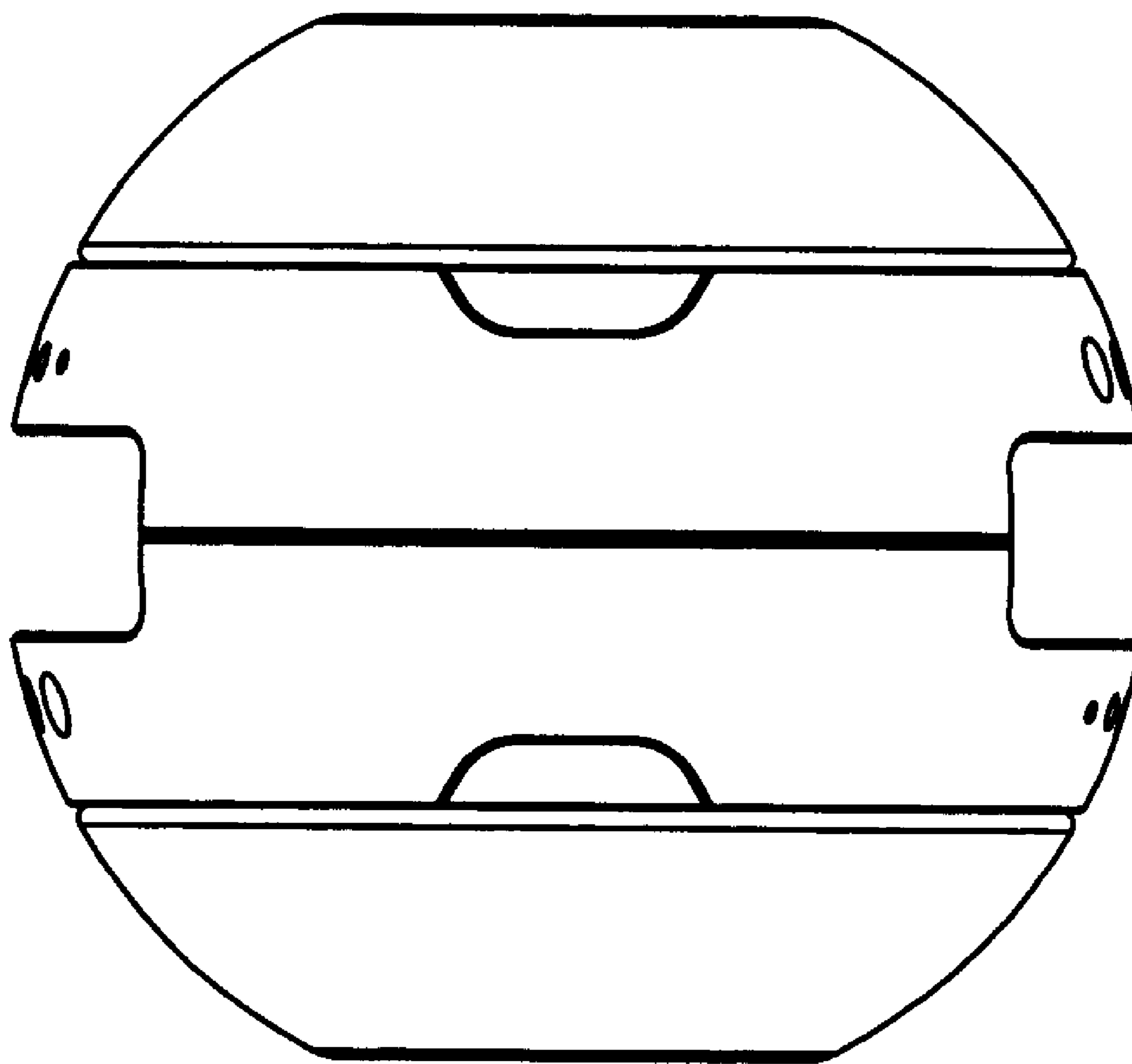
FIG. 7 is a rear side view thereof.

**1 Claim, 7 Drawing Sheets**

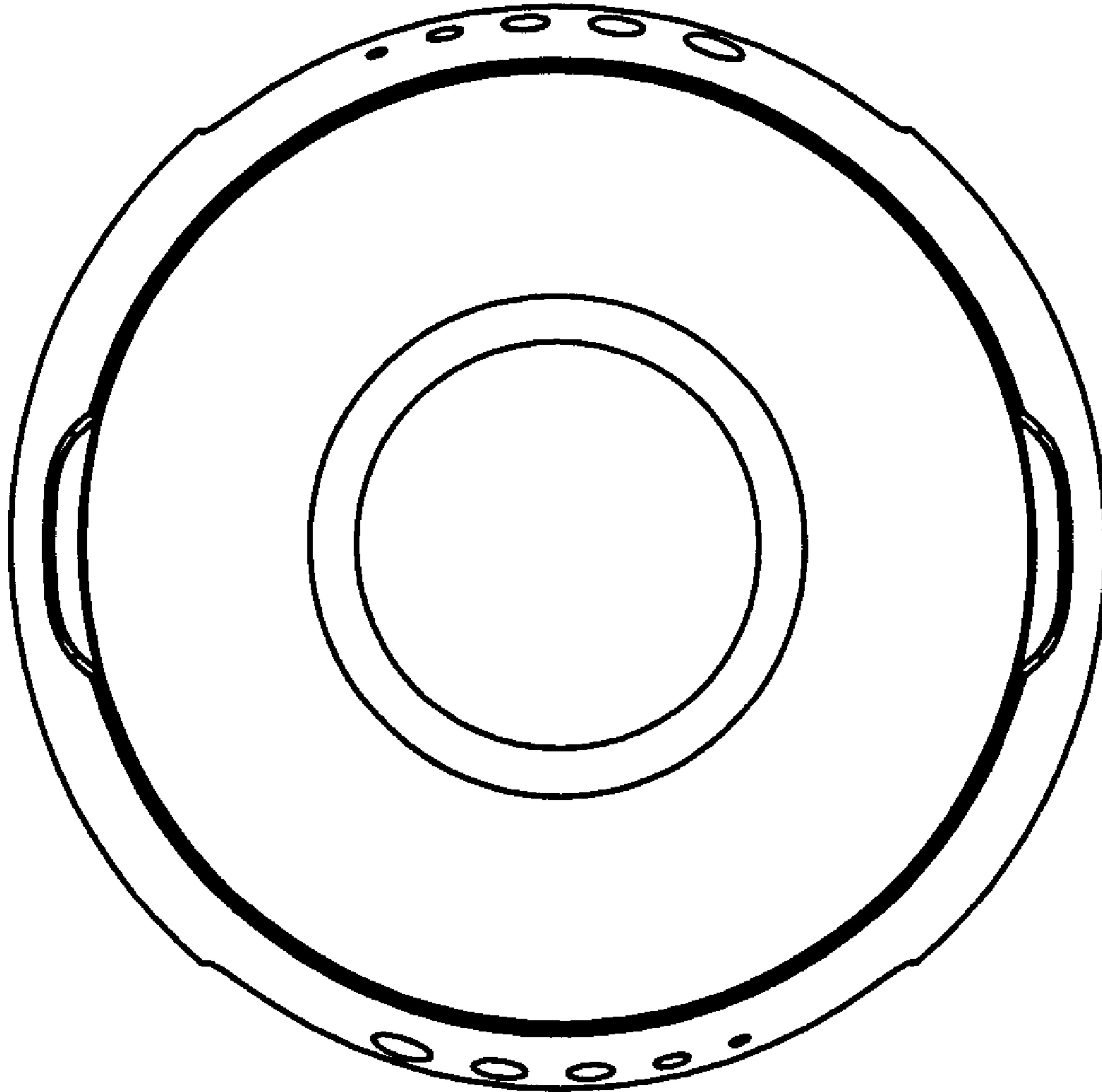




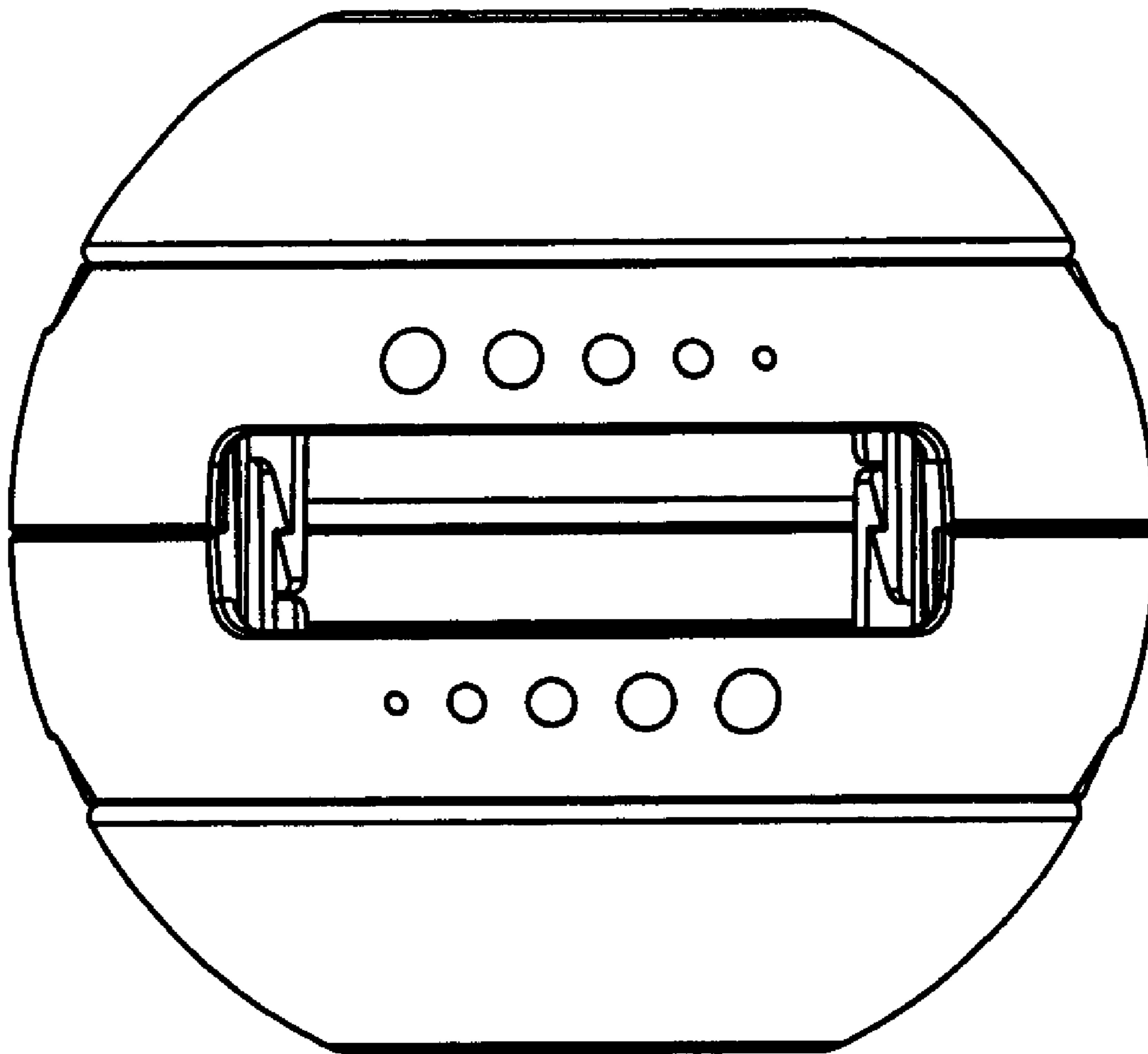
***FIG. 1***



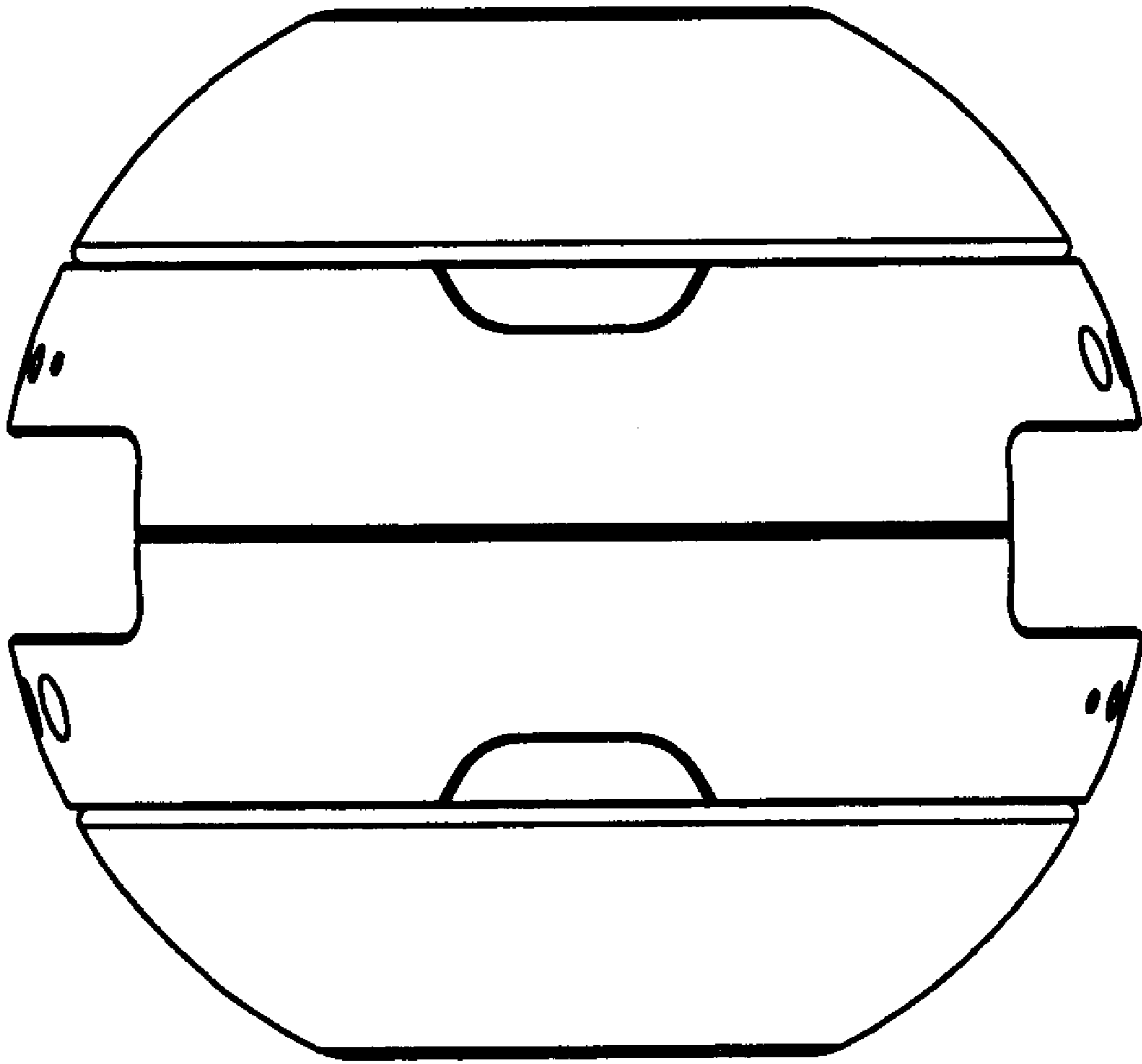
***FIG. 2***



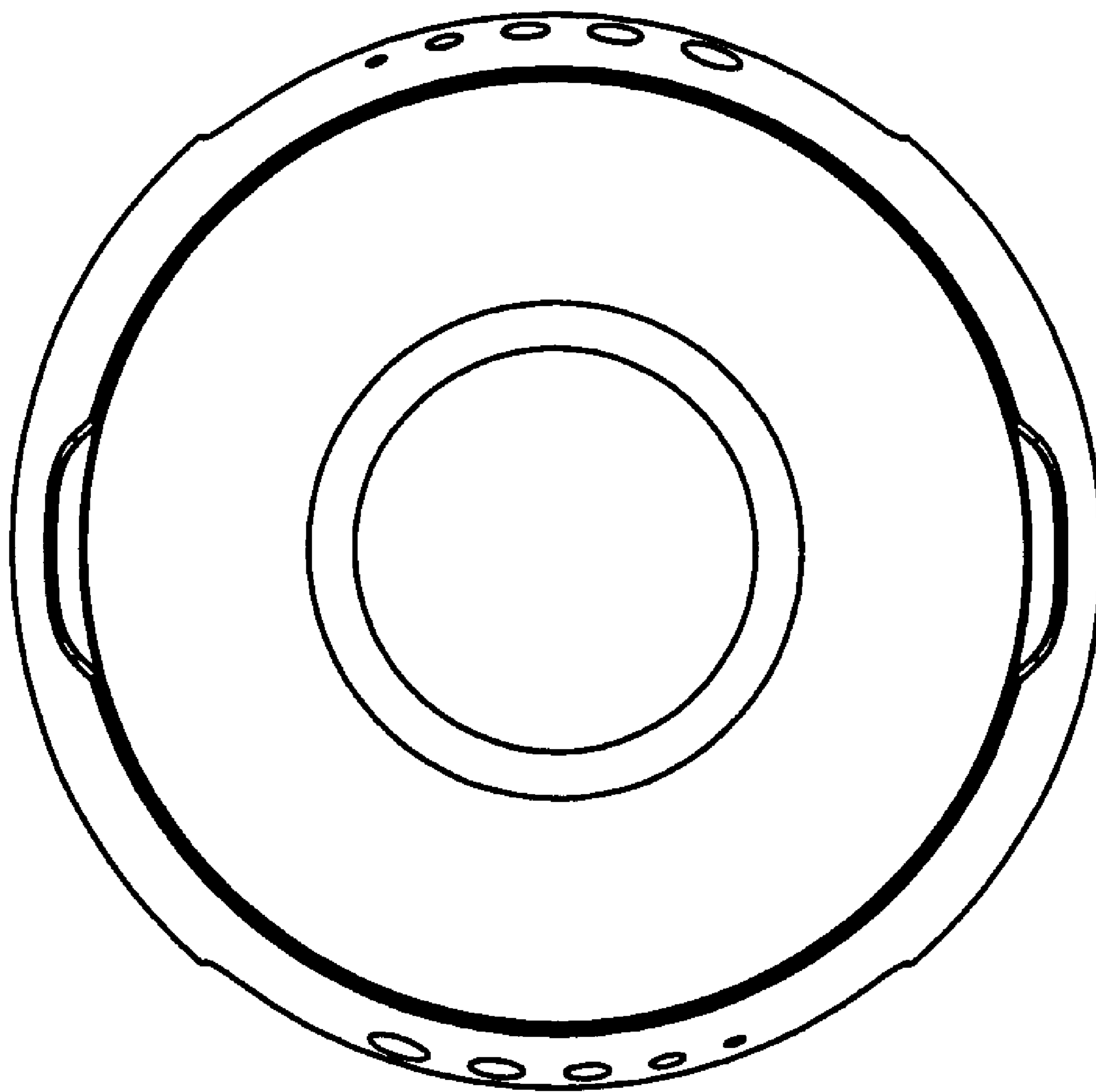
*FIG.3*



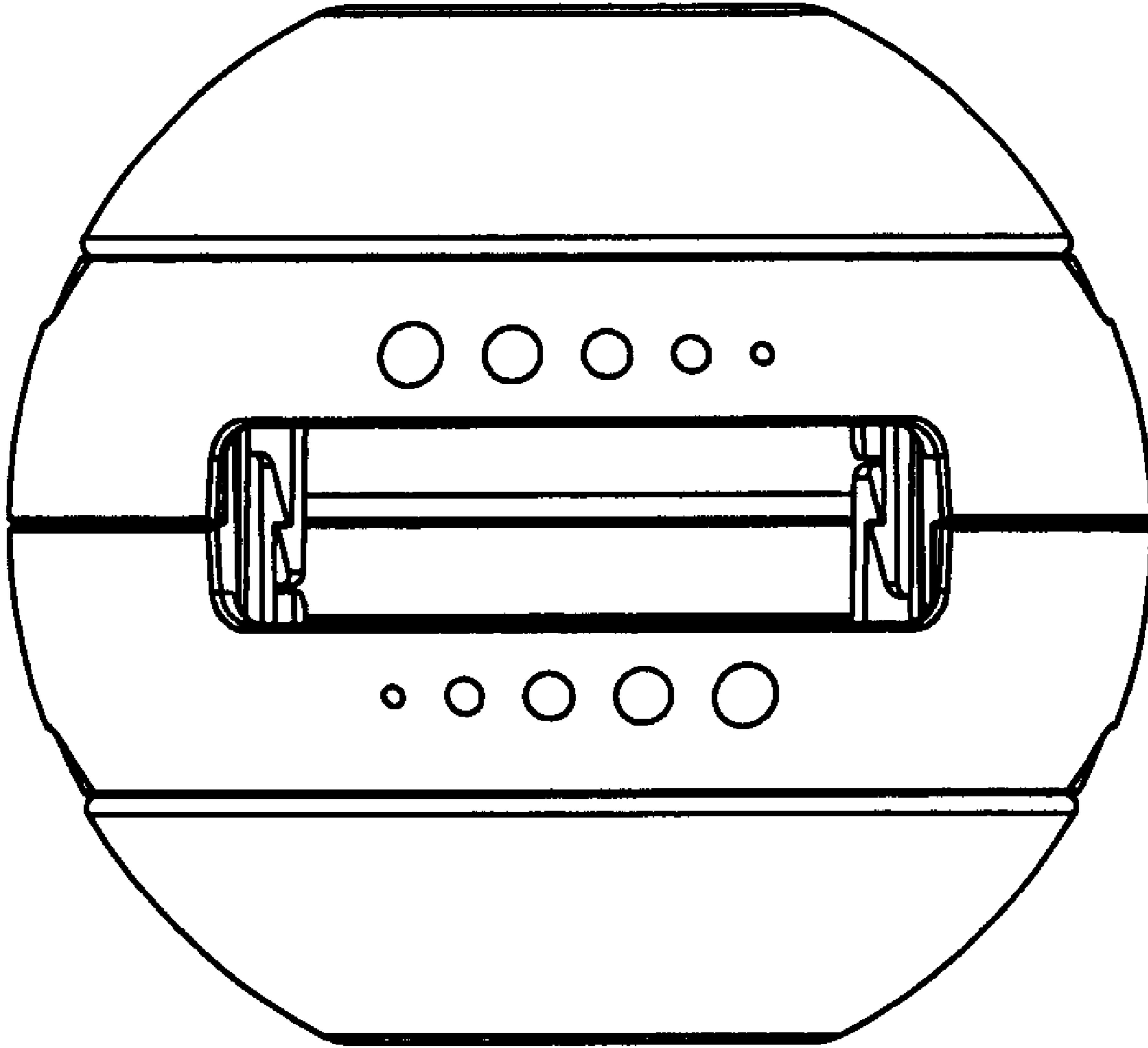
***FIG. 4***



***FIG. 5***



***FIG. 6***



***FIG. 7***