



US00D534999S

(12) **United States Design Patent**
Hussaini et al.

(10) **Patent No.:** **US D534,999 S**
(45) **Date of Patent:** **** Jan. 9, 2007**

(54) **PORTABLE HEATER AND REFRIGERATOR**

(75) Inventors: **Saied Hussaini**, Miami, FL (US); **Marc Iacovelli**, Miami, FL (US)

(73) Assignee: **Rally Manufacturing, Inc.**, Miami, FL (US)

(**) Term: **14 Years**

(21) Appl. No.: **29/229,325**

(22) Filed: **May 6, 2005**

(51) **LOC (8) Cl.** **23-03**

(52) **U.S. Cl.** **D23/335; D15/81**

(58) **Field of Classification Search** D23/335,
D23/332; D15/79, 81, 91; 62/362, 457.1,
62/457.7; 220/592.03
See application file for complete search history.

(56) **References Cited**

U.S. PATENT DOCUMENTS

- D481,741 S * 11/2003 Yuen D15/81
- D486,467 S * 2/2004 Yuen D14/168
- D494,606 S * 8/2004 Krieger et al. D15/81
- D502,471 S * 3/2005 Yuen D15/81
- D521,132 S * 5/2006 Blateri D23/335

D524,330 S * 7/2006 Pedersen et al. D15/81

* cited by examiner

Primary Examiner—Louis S. Zarfaz

Assistant Examiner—Eric L. Goodman

(74) *Attorney, Agent, or Firm*—Berenato, White & Stavish LLC

(57) **CLAIM**

The ornamental design for a portable heater and refrigerator, as shown and described.

DESCRIPTION

FIG. 1 is a front, top and left perspective view of the portable heater and refrigerator according to the present invention. FIG. 2 is a front view of the portable heater and refrigerator of FIG. 1.

FIG. 3 is a rear view of the portable heater and refrigerator of FIG. 1.

FIG. 4 is a left side view of the portable heater and refrigerator of FIG. 1.

FIG. 5 is a right view of the portable heater and refrigerator of FIG. 1.

FIG. 6 is a top view of the portable heater and refrigerator of FIG. 1; and,

FIG. 7 is a bottom view of the portable heater and refrigerator of FIG. 1.

1 Claim, 7 Drawing Sheets

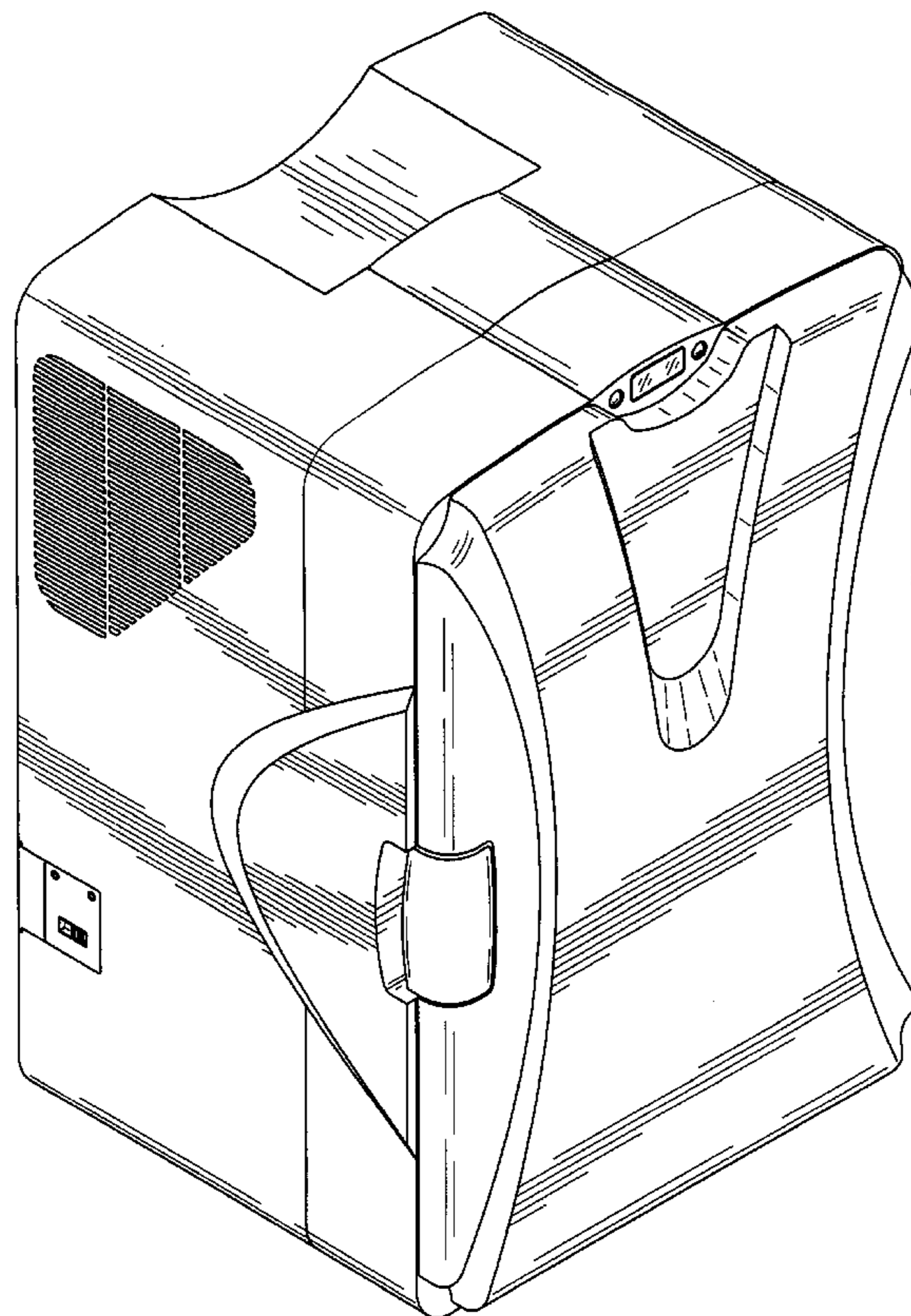


Fig. 1

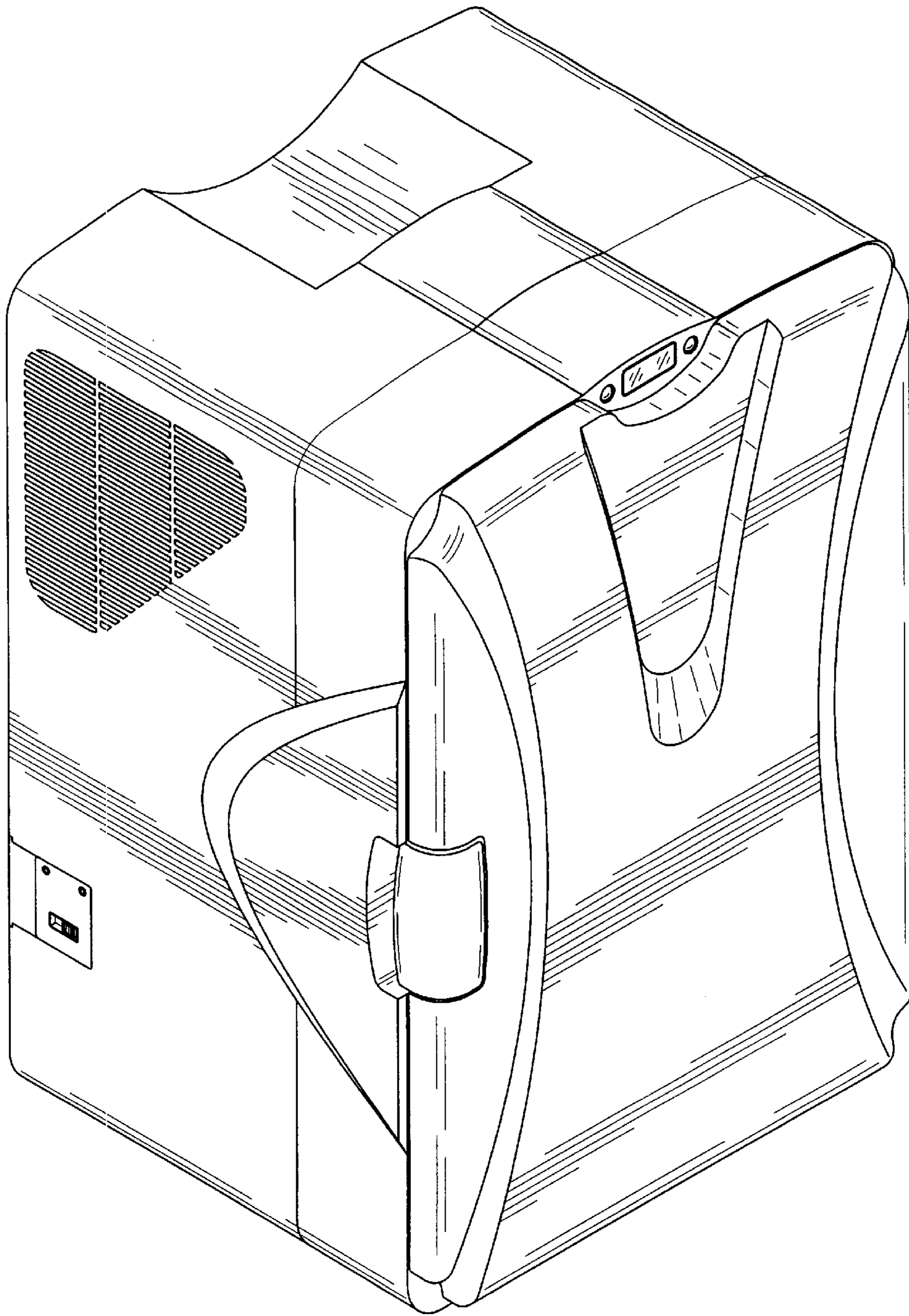


Fig. 2

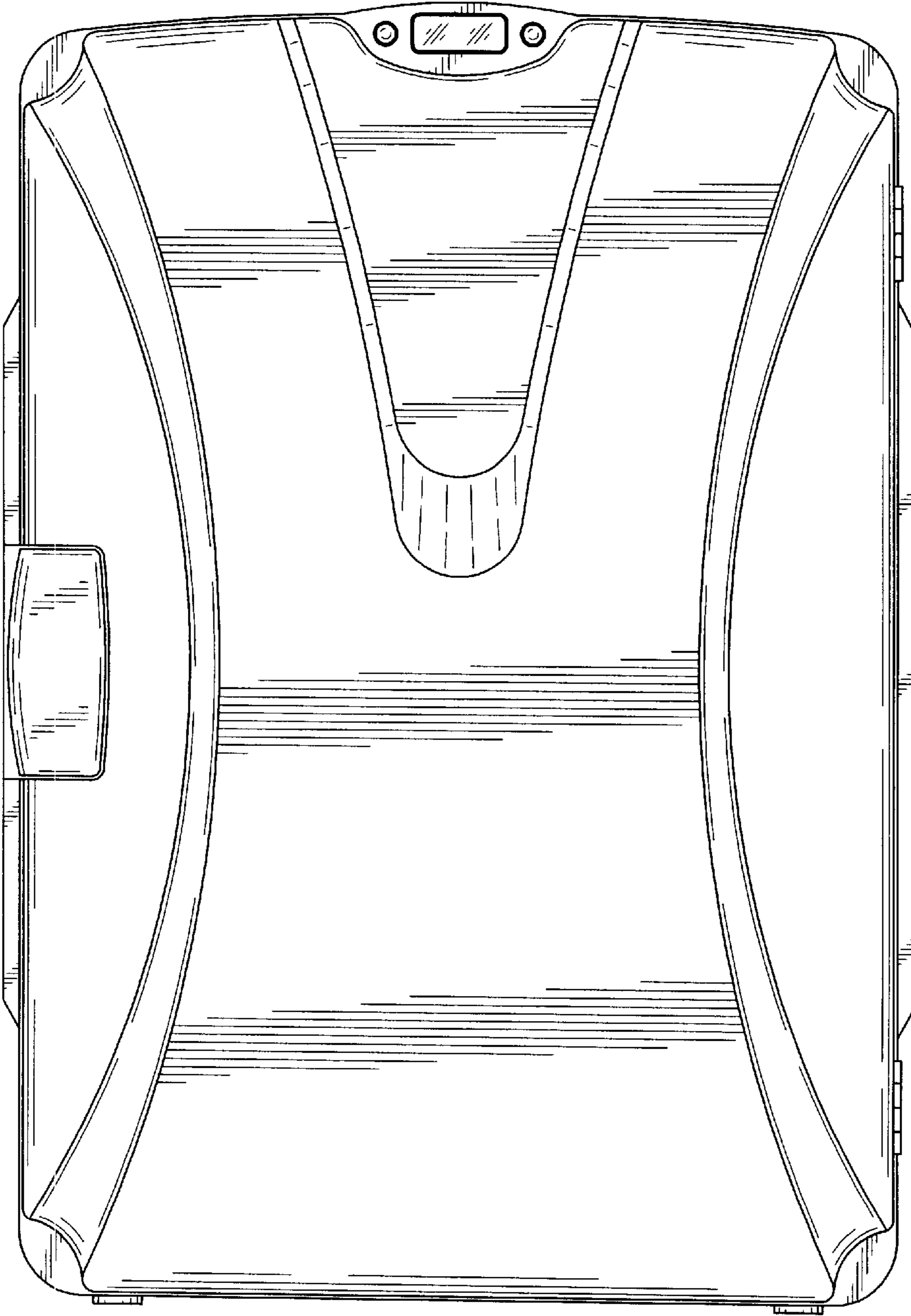


Fig. 3

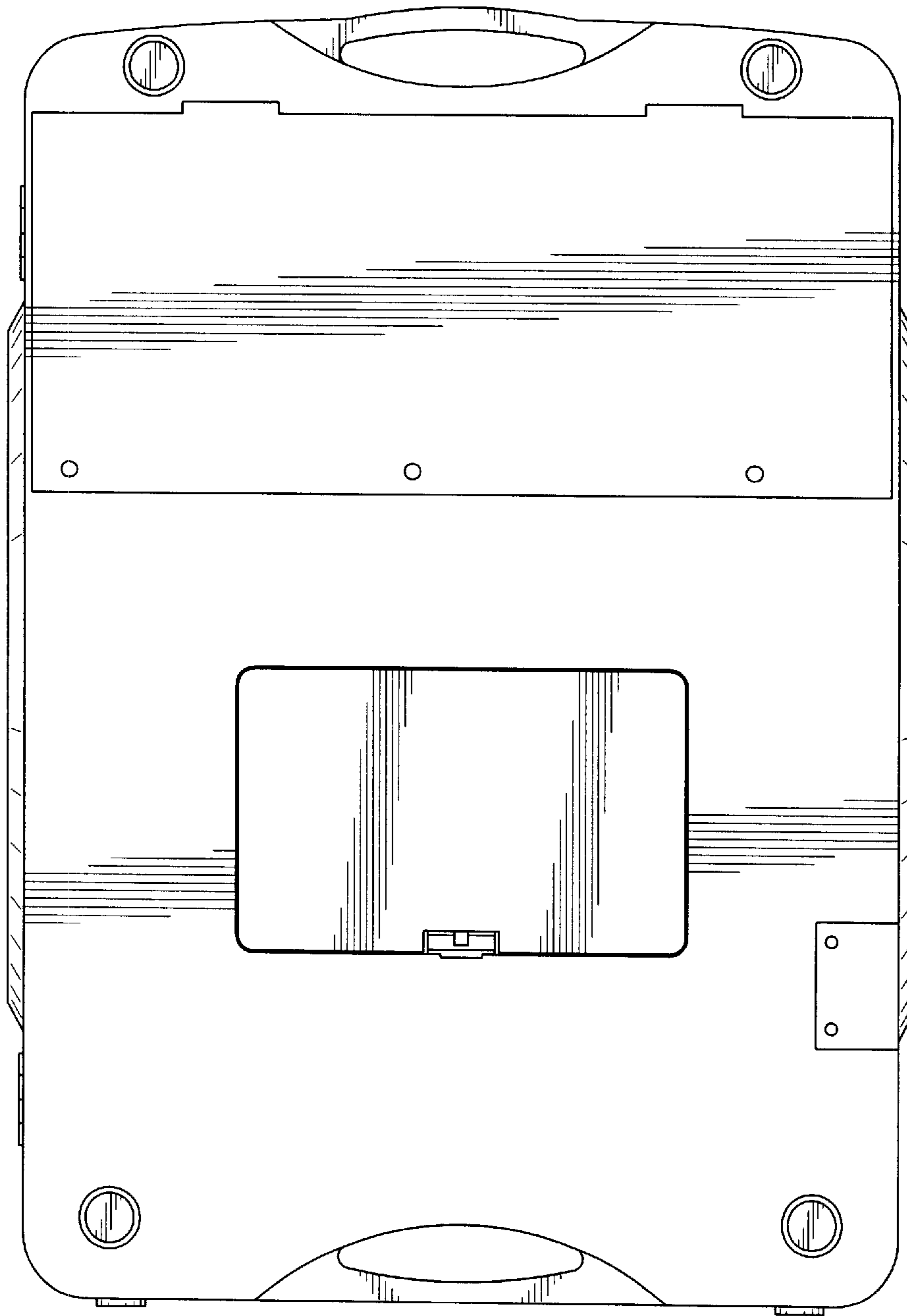


Fig. 4

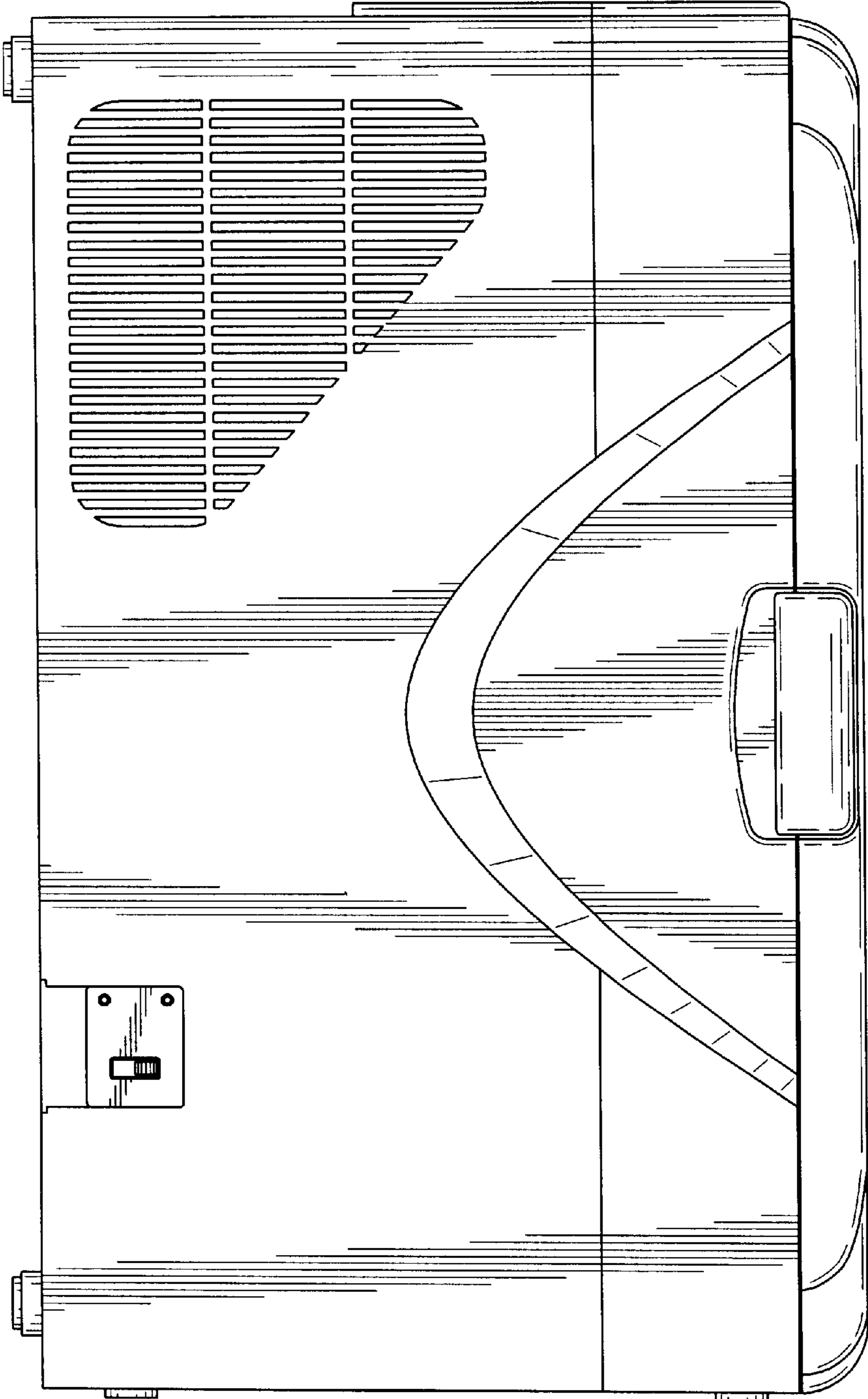


Fig. 5

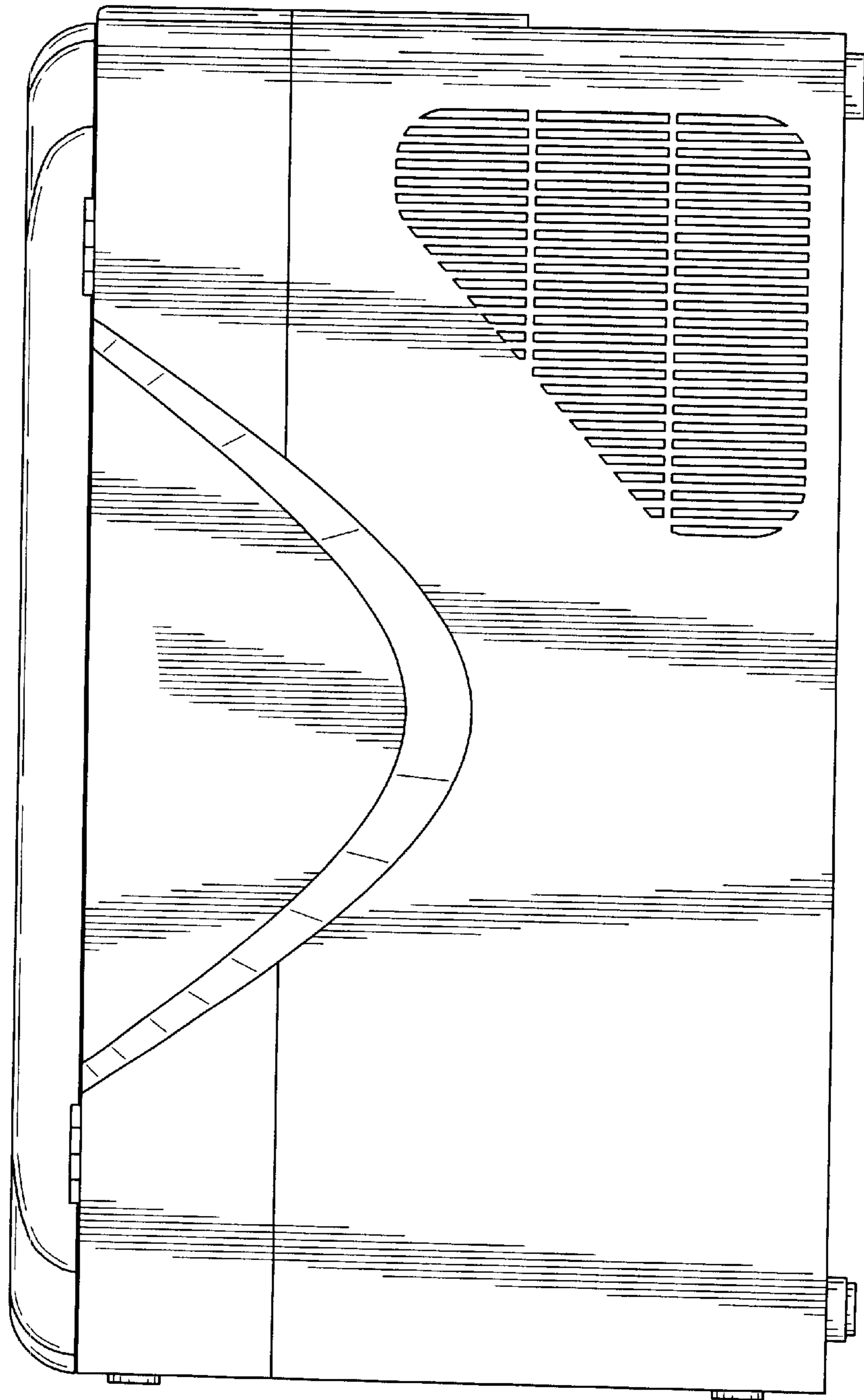


Fig. 6

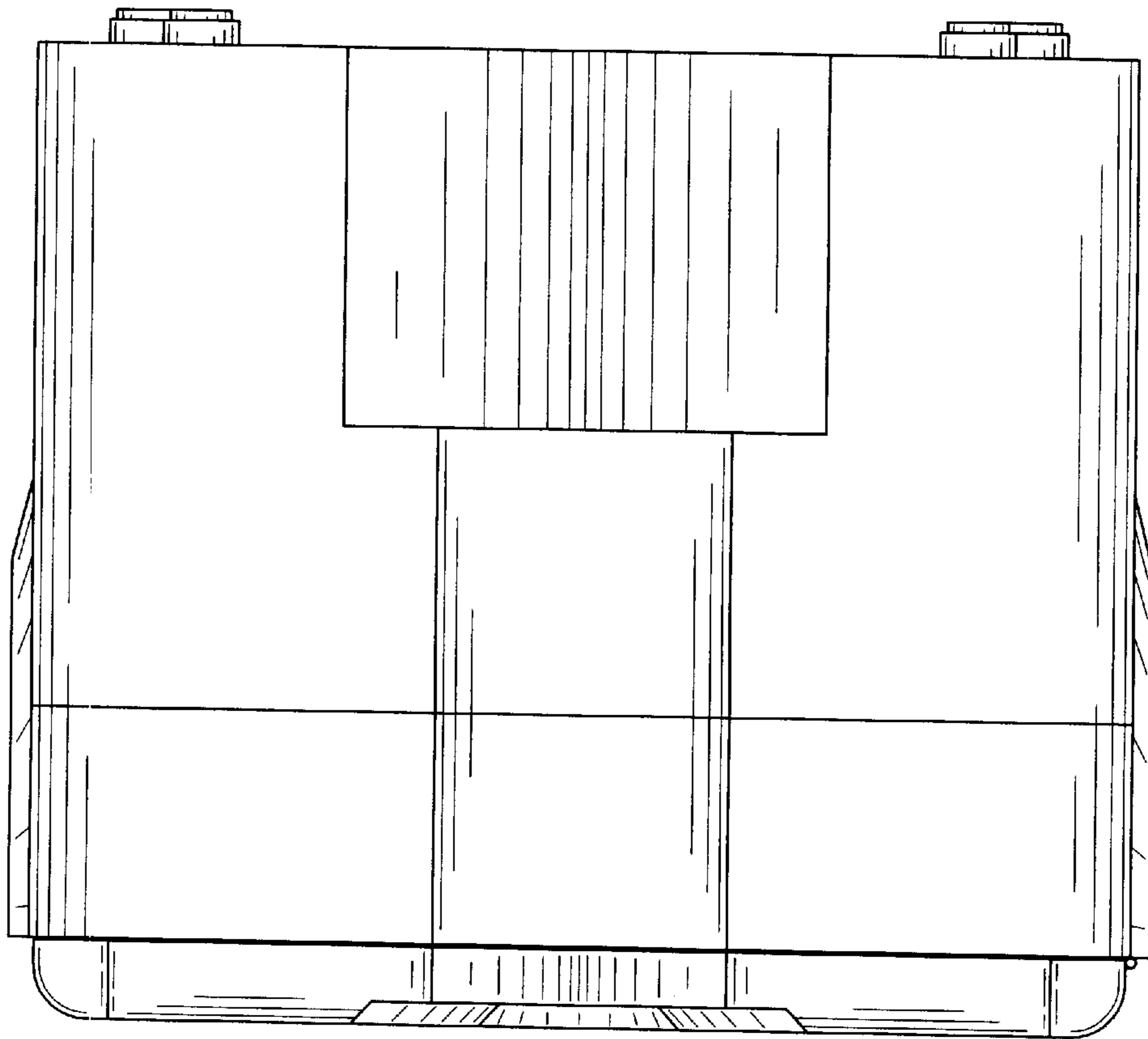


Fig. 7

