



US00D534997S

(12) **United States Design Patent**
Bouroullec et al.

(10) **Patent No.:** **US D534,997 S**
(45) **Date of Patent:** **** Jan. 9, 2007**

(54) **WASH STATION**

(75) Inventors: **Ronan Bouroullec**, Saint-Louis (FR);
Erwan Bouroullec, Saint-Louis (FR)

(73) Assignee: **Hansgrohe AG** (DE)

(**) Term: **14 Years**

(21) Appl. No.: **29/239,481**

(22) Filed: **Sep. 30, 2005**

(30) **Foreign Application Priority Data**

Apr. 8, 2005 (EM) 000324223-0021

(51) **LOC (8) Cl.** **23-02**

(52) **U.S. Cl.** **D23/271**

(58) **Field of Classification Search** D23/238-257,
D23/271; 4/675-678, 619; 137/801; D6/555
See application file for complete search history.

(56) **References Cited**

U.S. PATENT DOCUMENTS

D50,209 S * 1/1917 Phelan D6/559
D162,613 S * 3/1951 Ball et al. D23/271
D164,981 S * 10/1951 Boggs D6/555
4,574,407 A * 3/1986 Didia 4/559

D314,486 S * 2/1991 Day D6/555
D338,949 S * 8/1993 Paulin et al. D23/271
D370,816 S * 6/1996 Hofman et al. D6/568
D396,959 S * 8/1998 Wolff D6/301
6,631,525 B1 * 10/2003 Piatt et al. 4/619

* cited by examiner

Primary Examiner—Louis S. Zarfes

Assistant Examiner—Gregory Andoll

(74) *Attorney, Agent, or Firm*—Kwadjo Adusei-Poku;
Lloyd D. Doigan

(57) **CLAIM**

The ornamental design for a wash station, as shown and described.

DESCRIPTION

FIG. 1 is a front perspective view of a wash station showing our design;

FIG. 2 is a right side elevational view thereof;

FIG. 3 is a left side elevational view thereof;

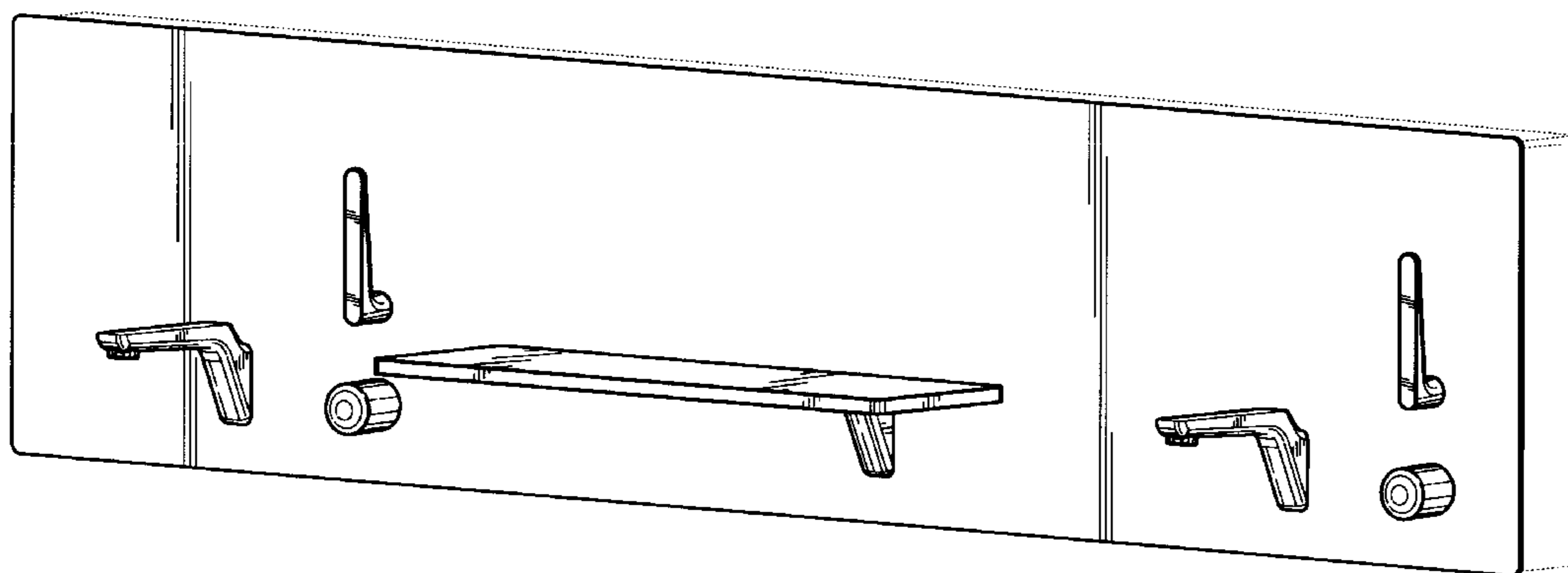
FIG. 4 is a front elevational view thereof;

FIG. 5 is a top plan view thereof; and,

FIG. 6 is a bottom plan view thereof.

The broken lines in the Figures are for illustrative purposes only and form no part of the claimed design.

1 Claim, 3 Drawing Sheets



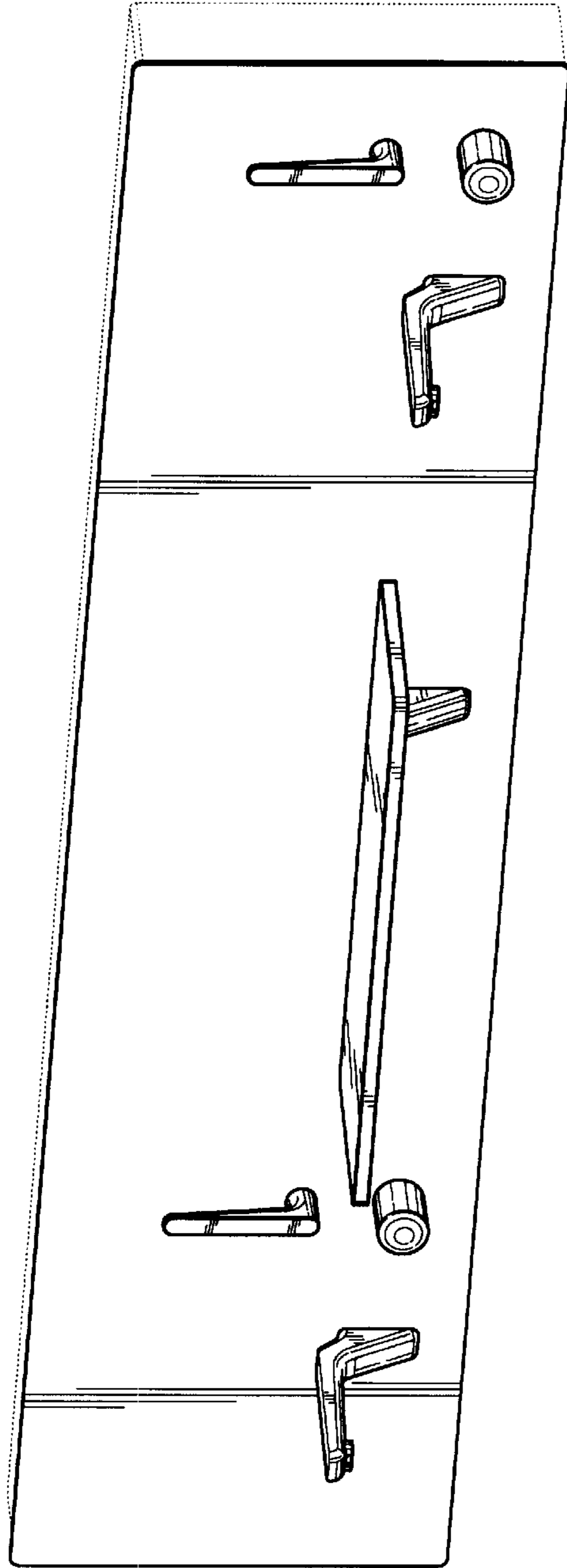


FIG. 1

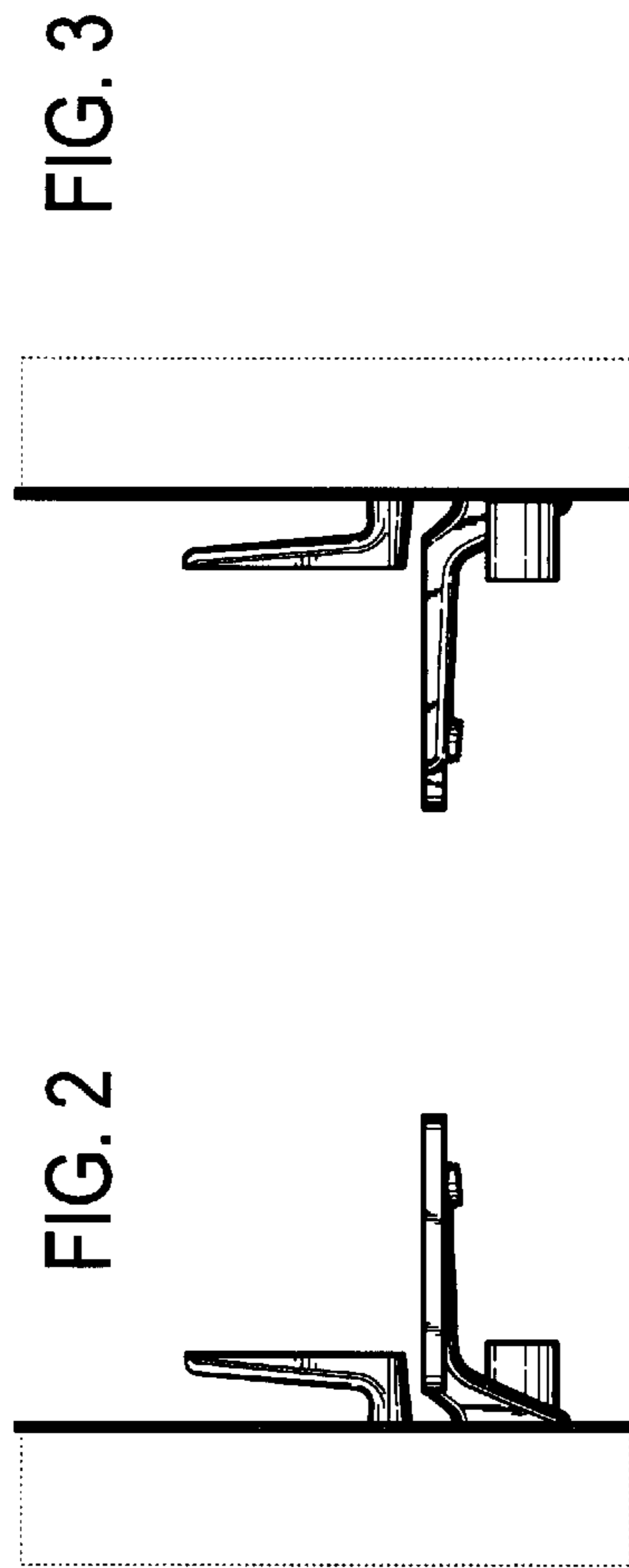


FIG. 2

FIG. 3

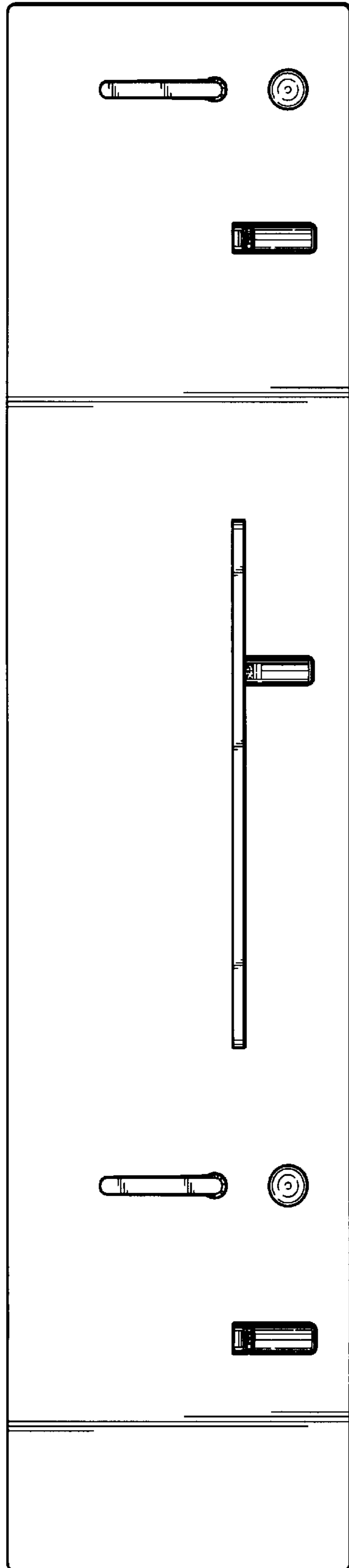


FIG. 4

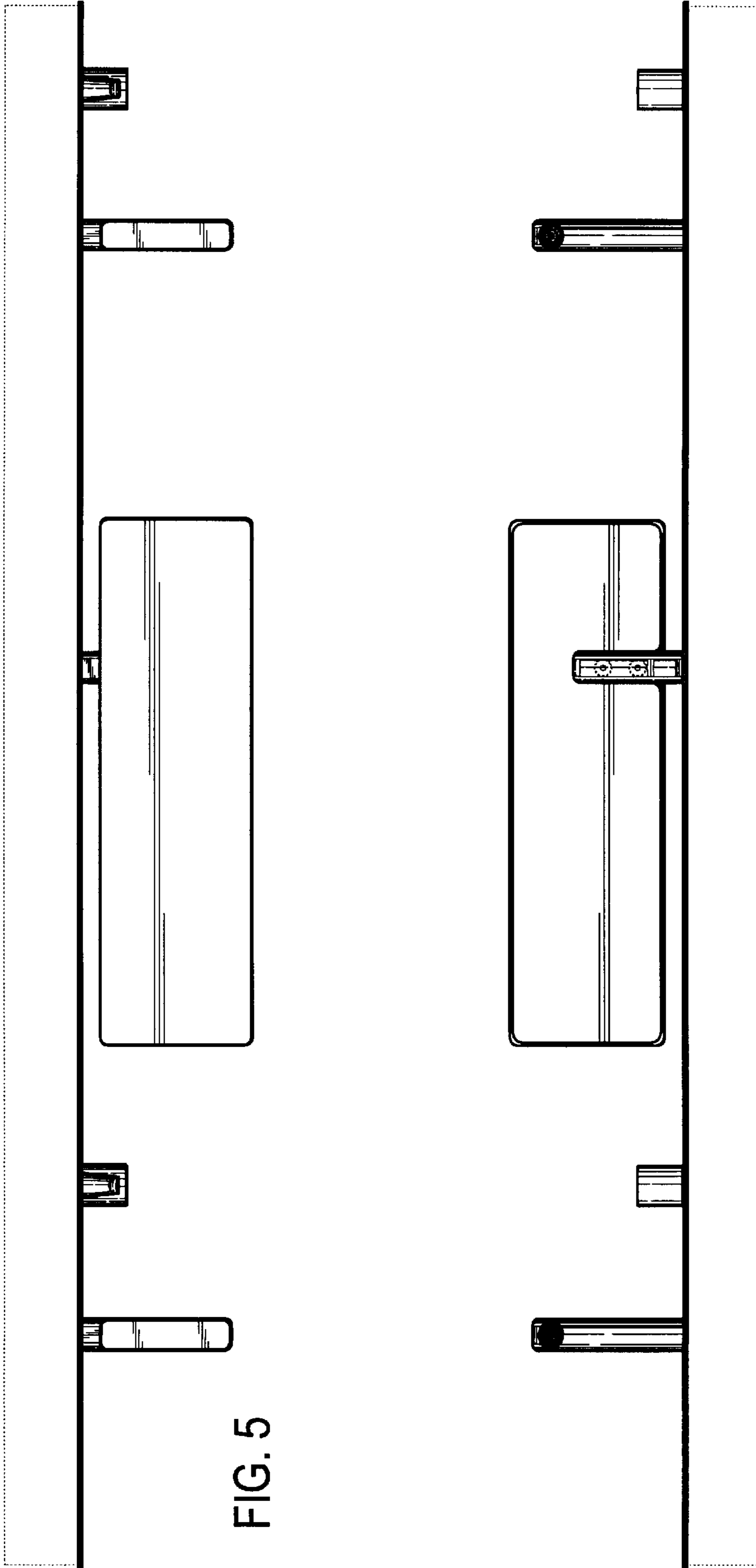


FIG. 5

FIG. 6