



US00D534996S

(12) **United States Design Patent**
Wang

(10) **Patent No.:** **US D534,996 S**

(45) **Date of Patent:** **** Jan. 9, 2007**

(54) **SPOUT**

(75) Inventor: **Ruler Wang**, Taichung (TW)

(73) Assignee: **Globe Union Industrial Corp.**,
Taichung (TW)

(**) Term: **14 Years**

(21) Appl. No.: **29/246,539**

(22) Filed: **Apr. 21, 2006**

(51) **LOC (8) Cl.** **23-01**

(52) **U.S. Cl.** **D23/255**

(58) **Field of Classification Search** D23/238-257;
4/675-678; 137/801

See application file for complete search history.

(56) **References Cited**

U.S. PATENT DOCUMENTS

D85,397 S	*	10/1931	Sakier	D23/255
D101,443 S	*	10/1936	Dreyfuss	D23/255
D321,038 S	*	10/1991	Delepine	D23/238
D352,547 S	*	11/1994	McKeone	D23/255

* cited by examiner

Primary Examiner—Louis S. Zarfes

Assistant Examiner—Gregory Andoll

(74) *Attorney, Agent, or Firm*—Leong C. Lei

(57) **CLAIM**

The ornamental design for a spout, as shown and described.

DESCRIPTION

FIG. 1 is a perspective view of a spout showing my new design;

FIG. 2 is a front elevational view thereof;

FIG. 3 is a left side elevational view thereof;

FIG. 4 is a right side elevational view thereof;

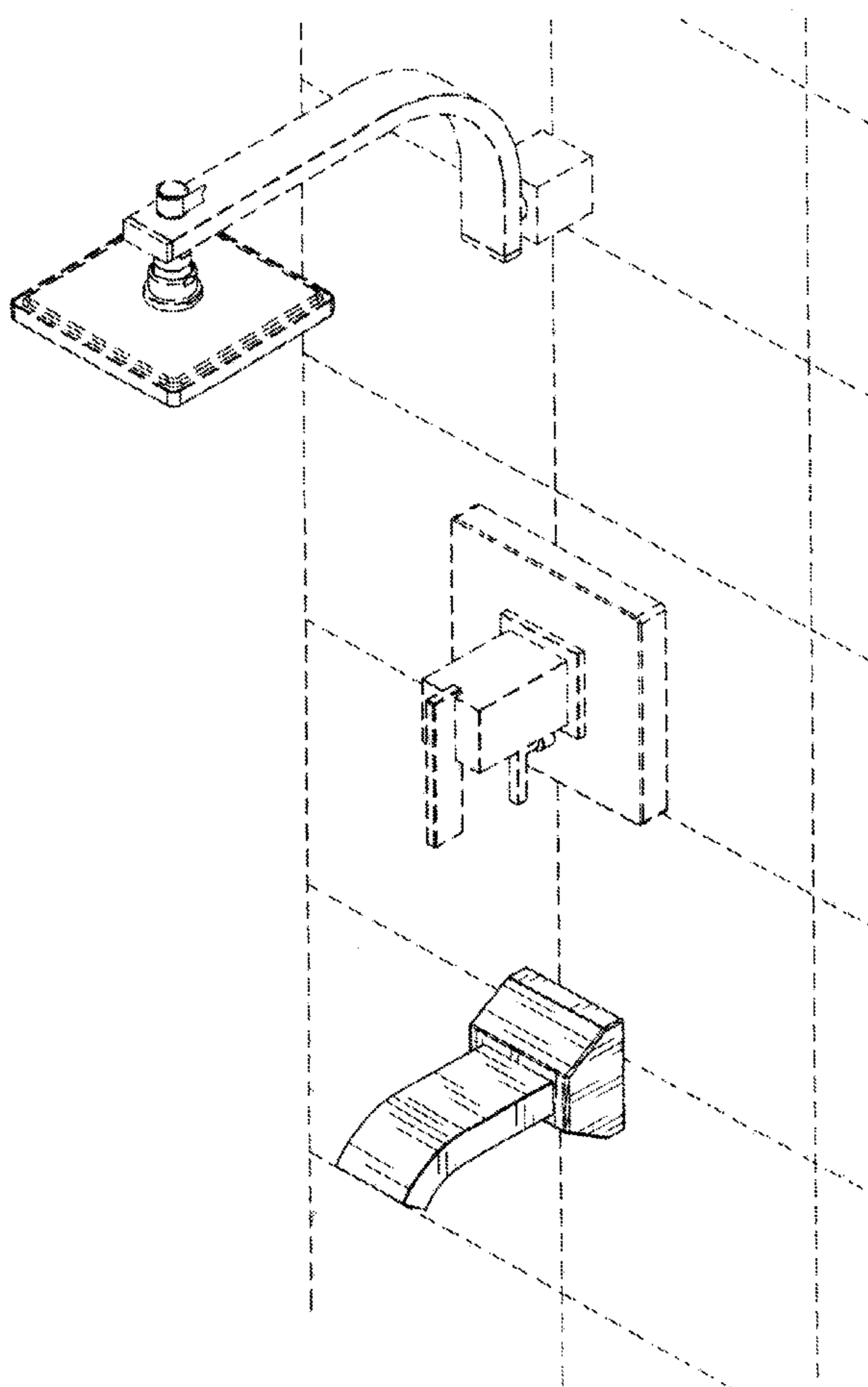
FIG. 5 is a top plan view thereof;

FIG. 6 is a bottom plan view thereof; and,

FIG. 7 is another perspective view thereof, with a pressure balance mixing valve and shower head engaged.

The dotted line showing of the wall, the pressure balance mixing valve and the shower head is for illustrative purposes only and forms no part of the claimed design.

1 Claim, 6 Drawing Sheets



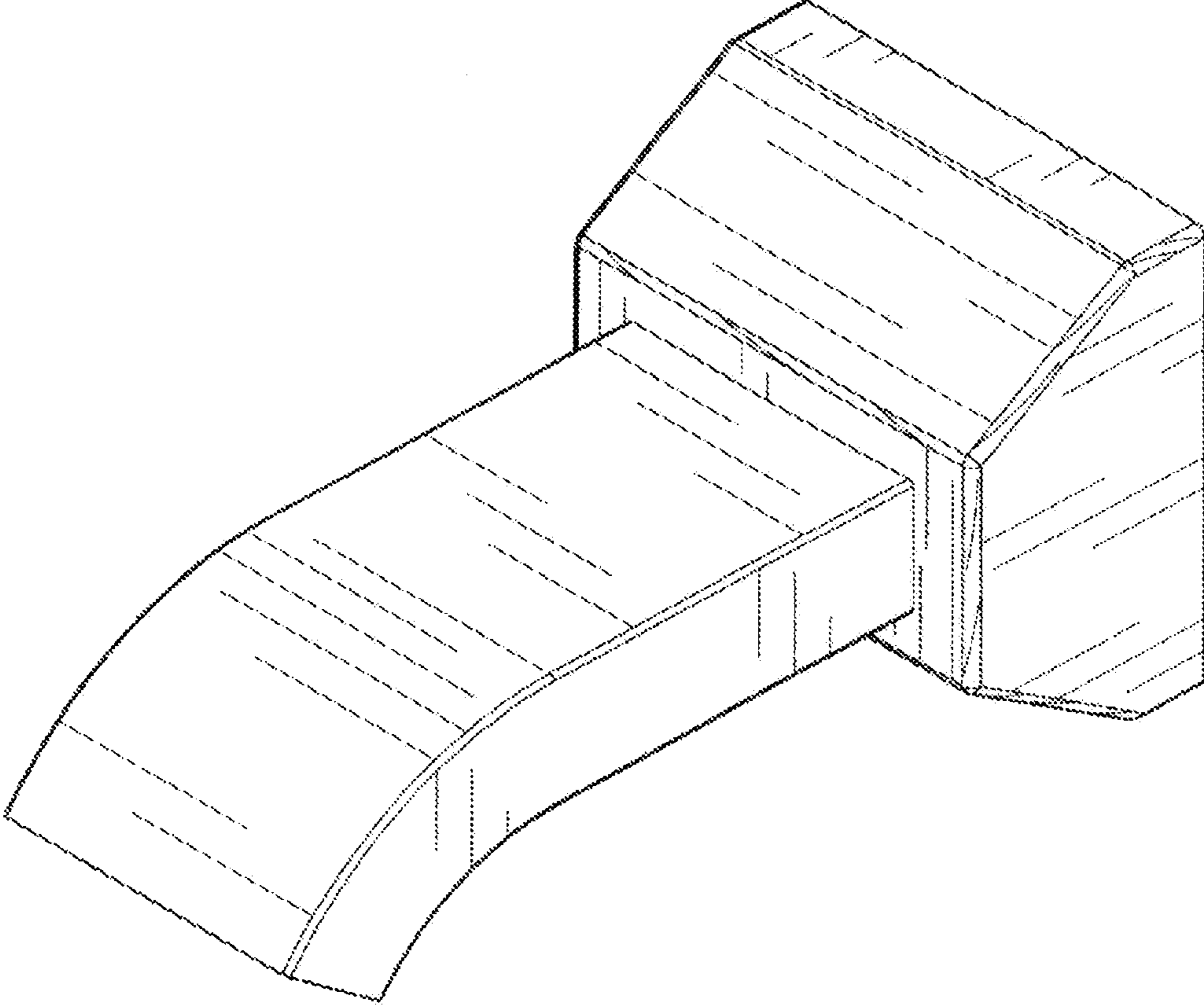


FIG. 1

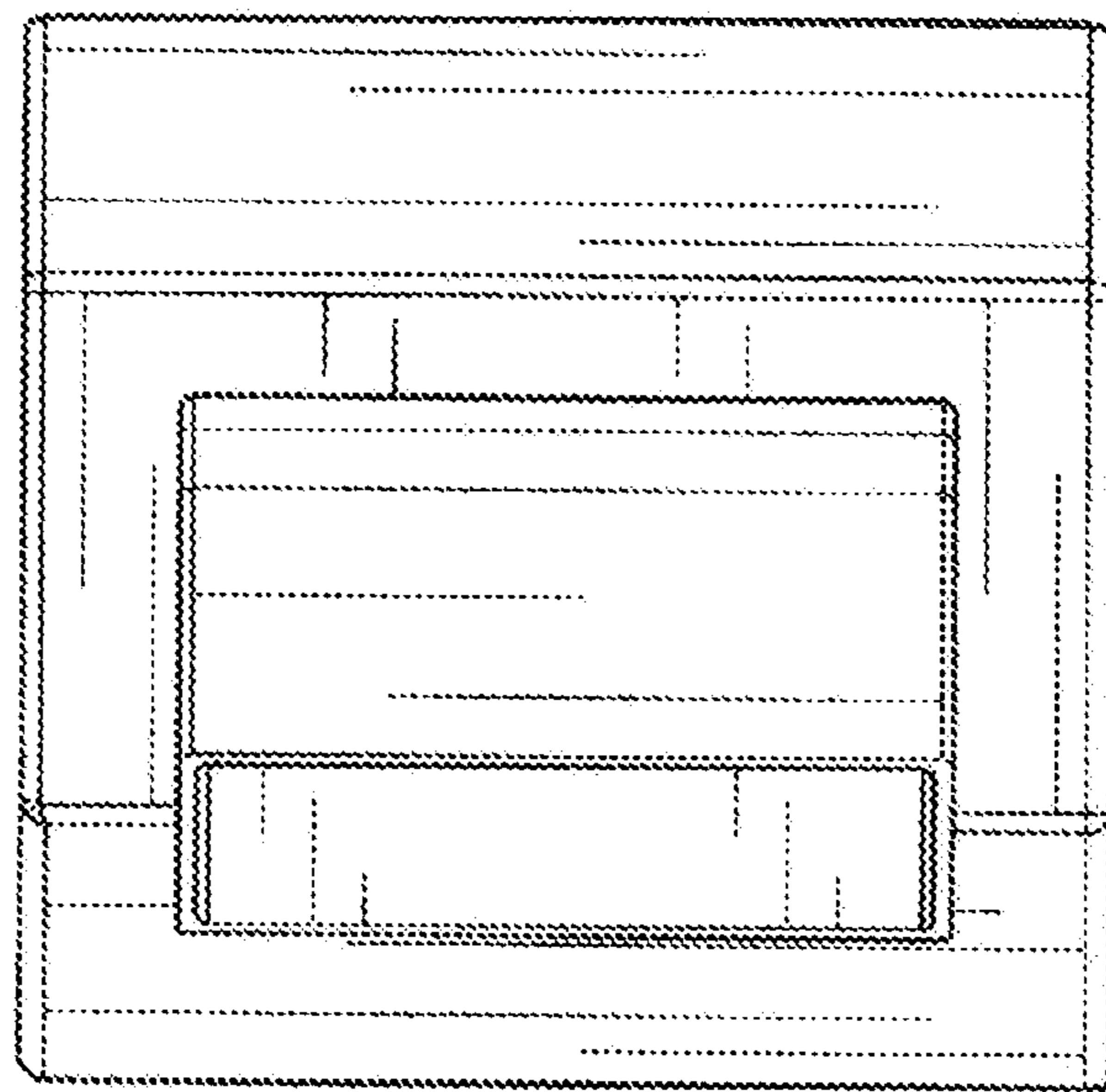


FIG. 2

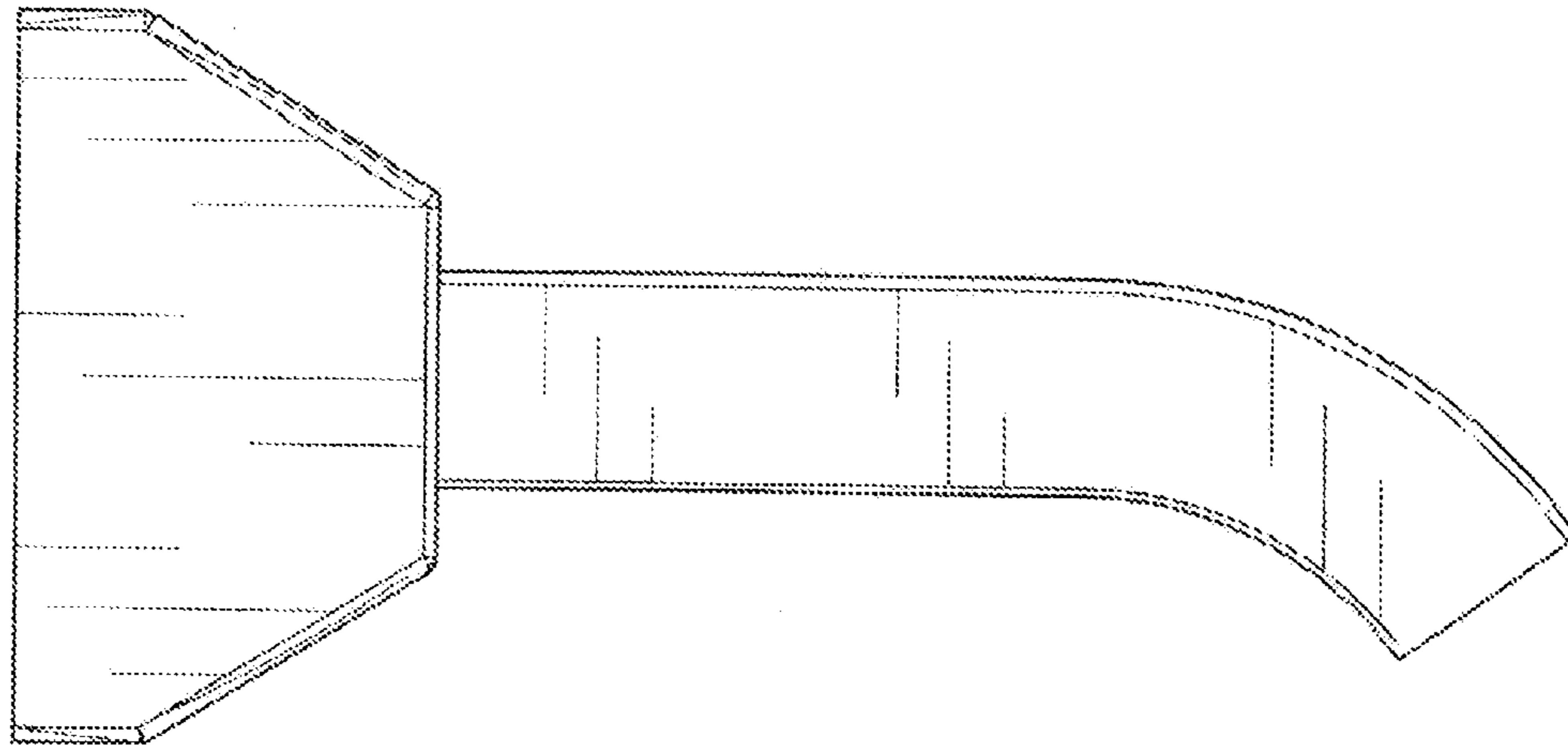


FIG. 3

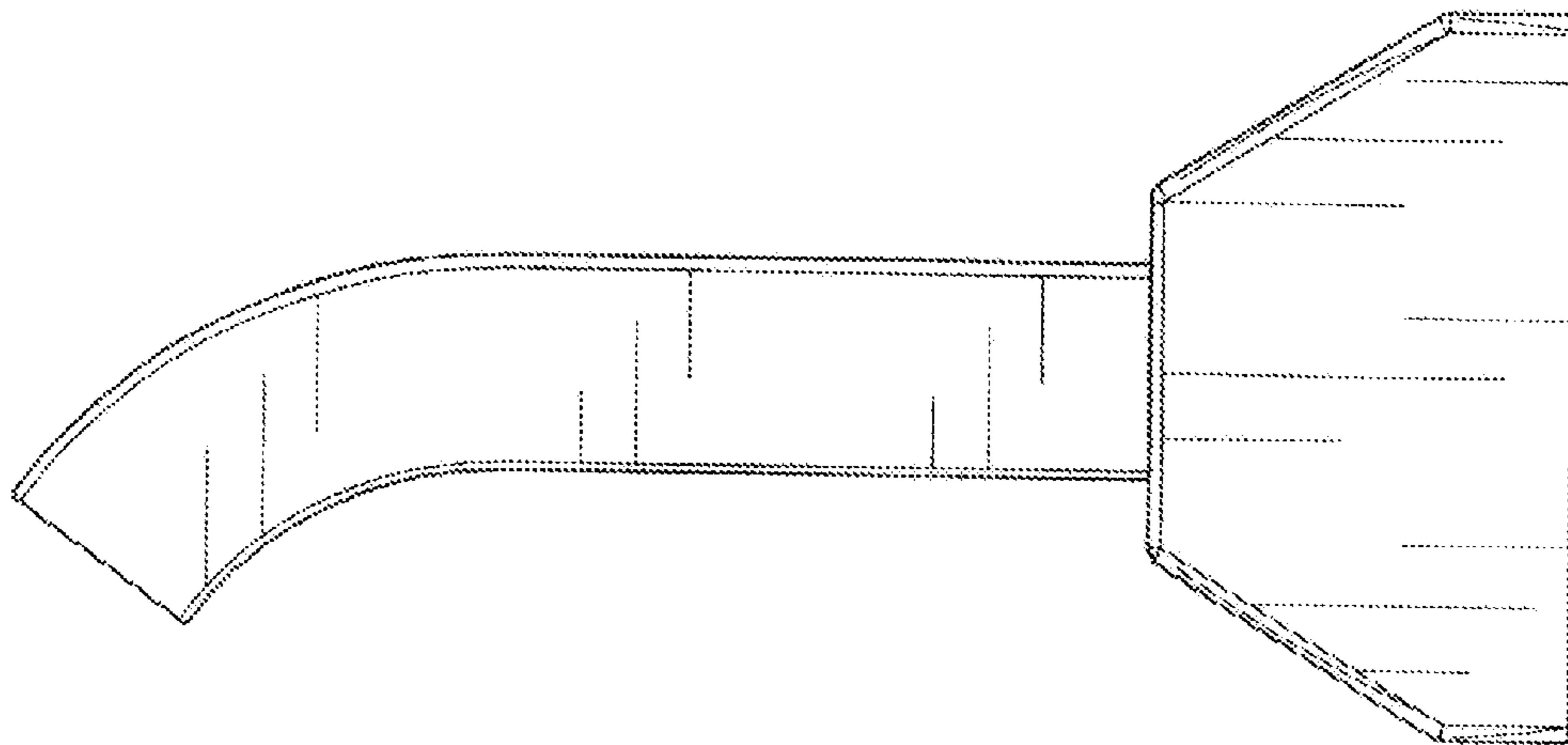


FIG. 4

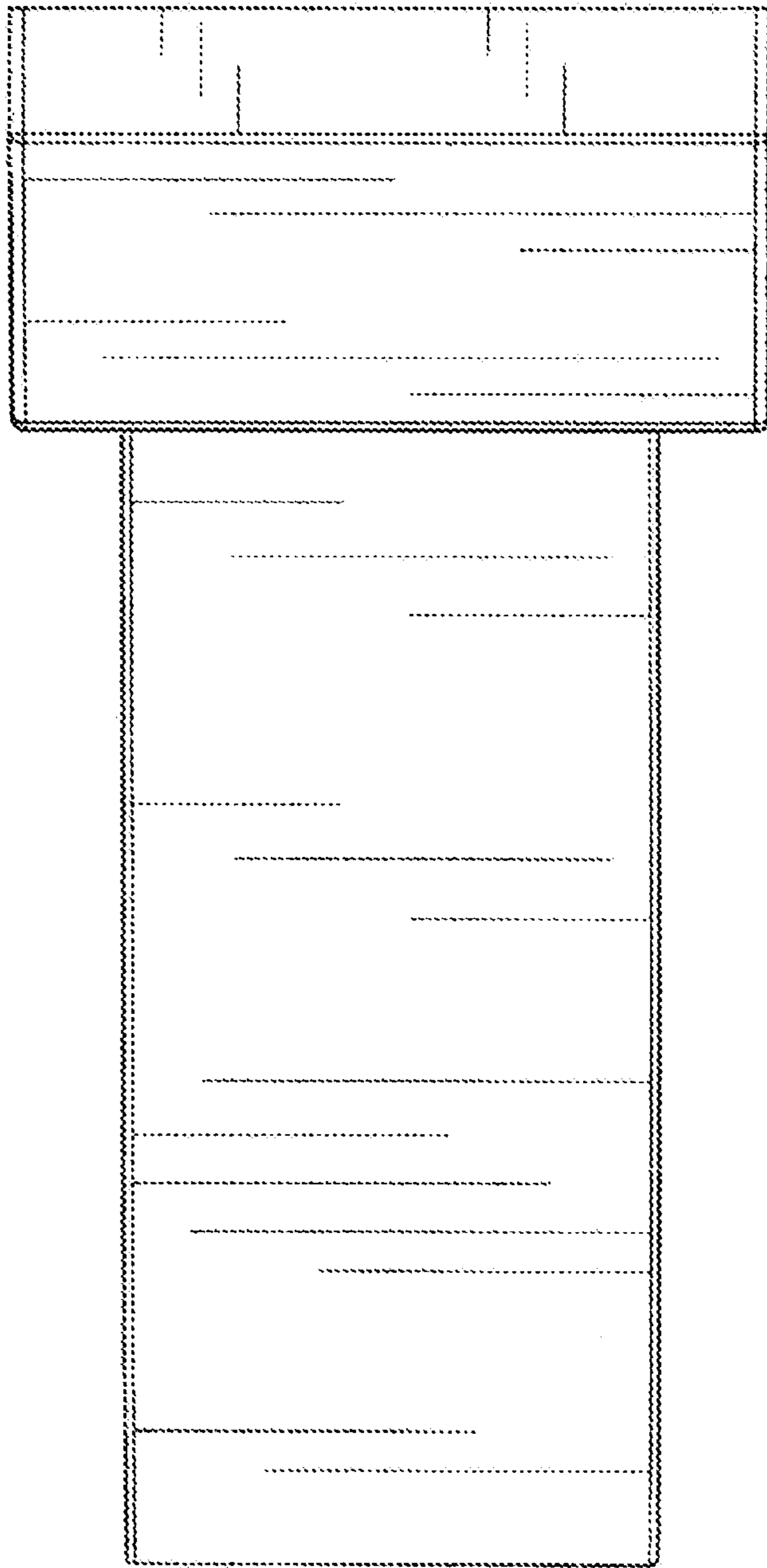


FIG. 5

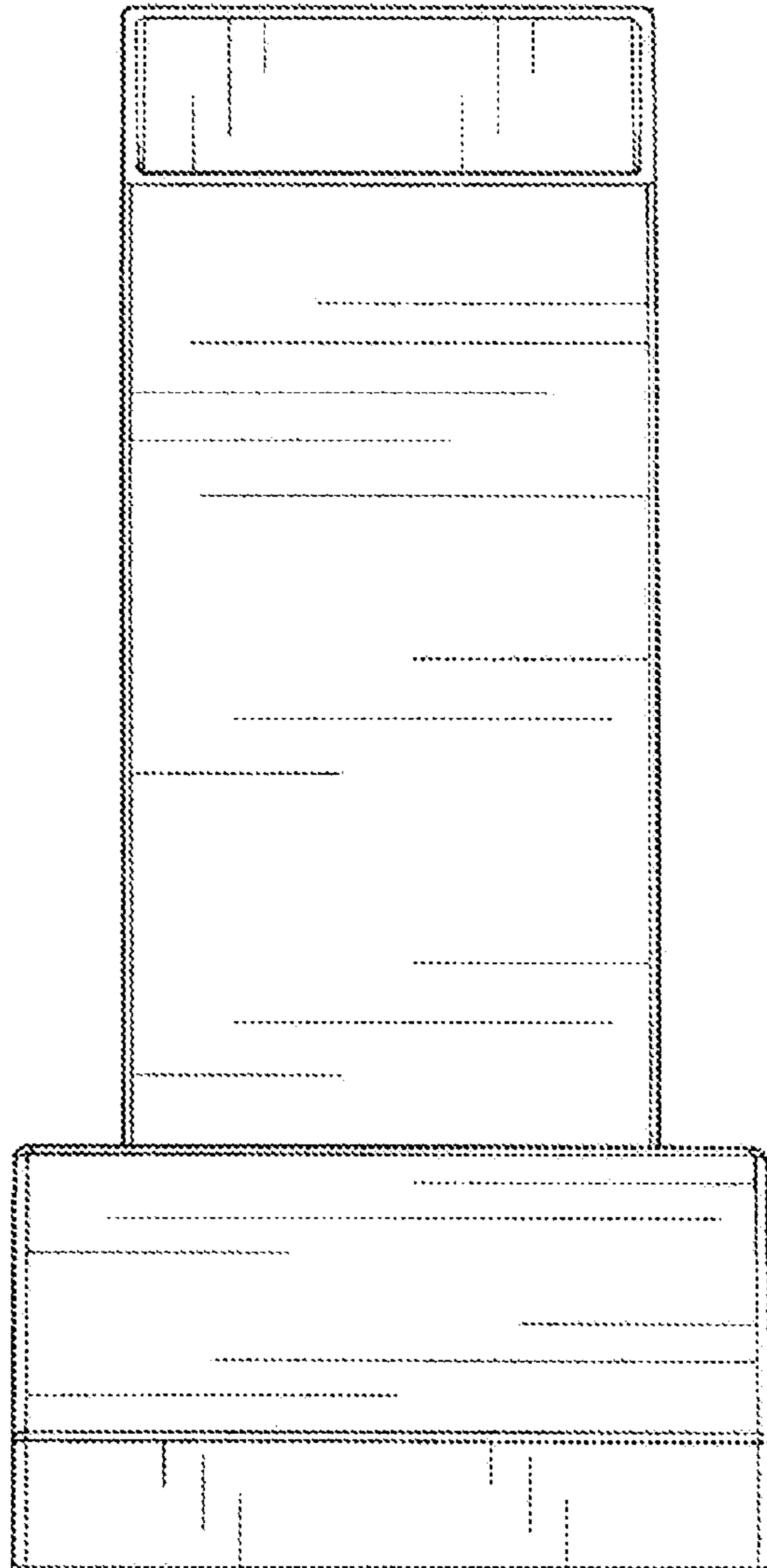


FIG. 6

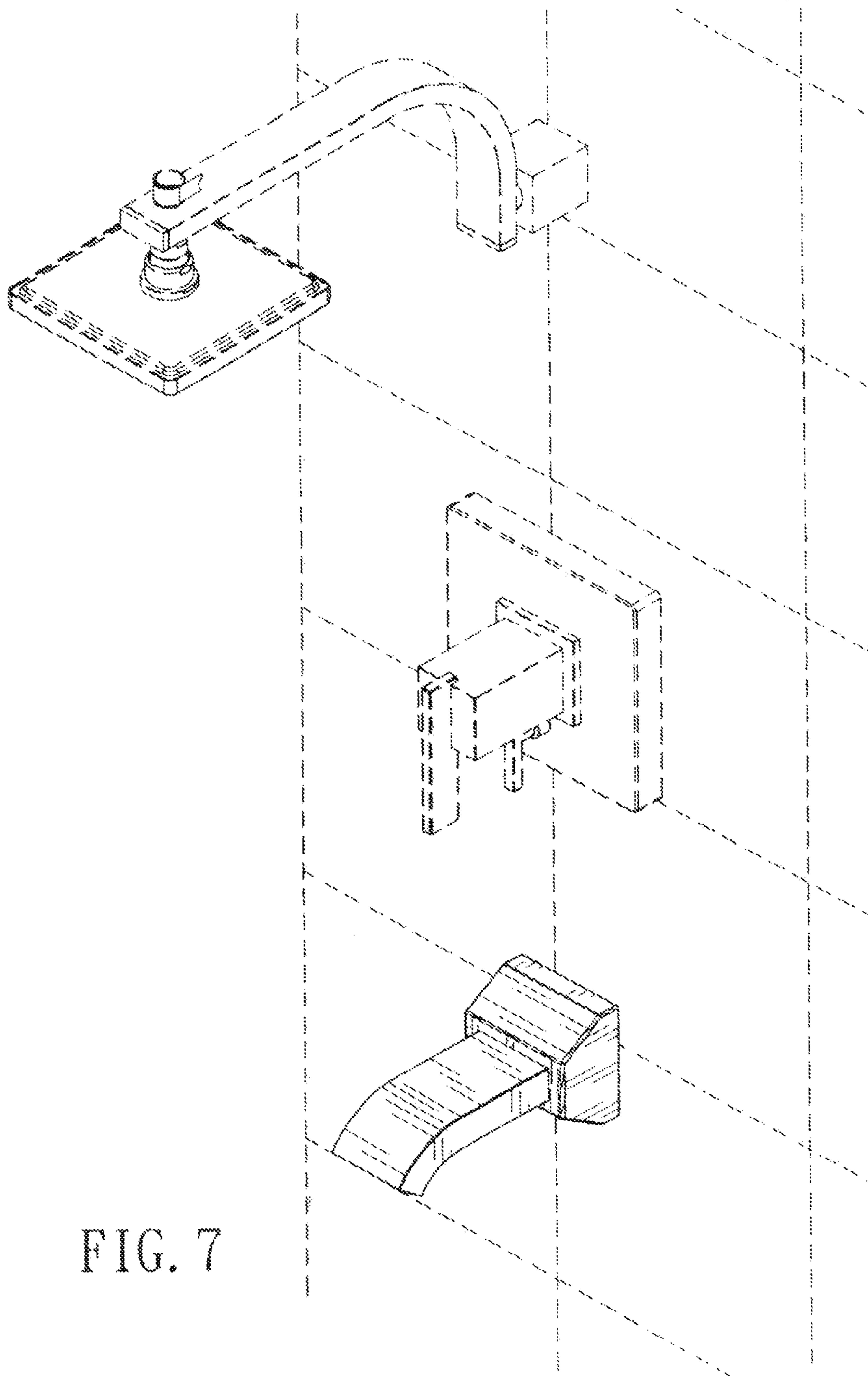


FIG. 7