

US00D534993S

(12) **United States Design Patent**  
**Kirar**

(10) **Patent No.:** **US D534,993 S**

(45) **Date of Patent:** **\*\* Jan. 9, 2007**

(54) **HANDLE**

(75) Inventor: **Laura K. Kirar**, New York, NY (US)

(73) Assignee: **Kohler Co.**, Kohler, WI (US)

(\*\*) Term: **14 Years**

(21) Appl. No.: **29/229,229**

(22) Filed: **May 4, 2005**

(51) **LOC (8) Cl.** ..... **23-01**

(52) **U.S. Cl.** ..... **D23/250**

(58) **Field of Classification Search** ..... D23/238–257;  
D8/250–257, 300–322, DIG. 3; 16/110.1;  
4/675–678; 137/801

See application file for complete search history.

(56) **References Cited**

**U.S. PATENT DOCUMENTS**

D76,995 S \* 11/1928 Fraser ..... D23/254  
D86,672 S \* 4/1932 Ferguson ..... D23/250  
D253,607 S \* 12/1979 Haug ..... D23/238

D450,908 S \* 11/2001 Brown ..... D99/34  
D466,987 S \* 12/2002 Smith ..... D23/250

\* cited by examiner

*Primary Examiner*—Louis S. Zarfaz

*Assistant Examiner*—G. Andoll

(74) *Attorney, Agent, or Firm*—Quarles & Brady LLP

(57) **CLAIM**

The ornamental design for a handle, as shown and described.

**DESCRIPTION**

In a preferred embodiment, the nature of this product is a handle for a plumbing fixture such as a faucet.

FIG. 1 is a right, top, front perspective view of a handle according to my new design;

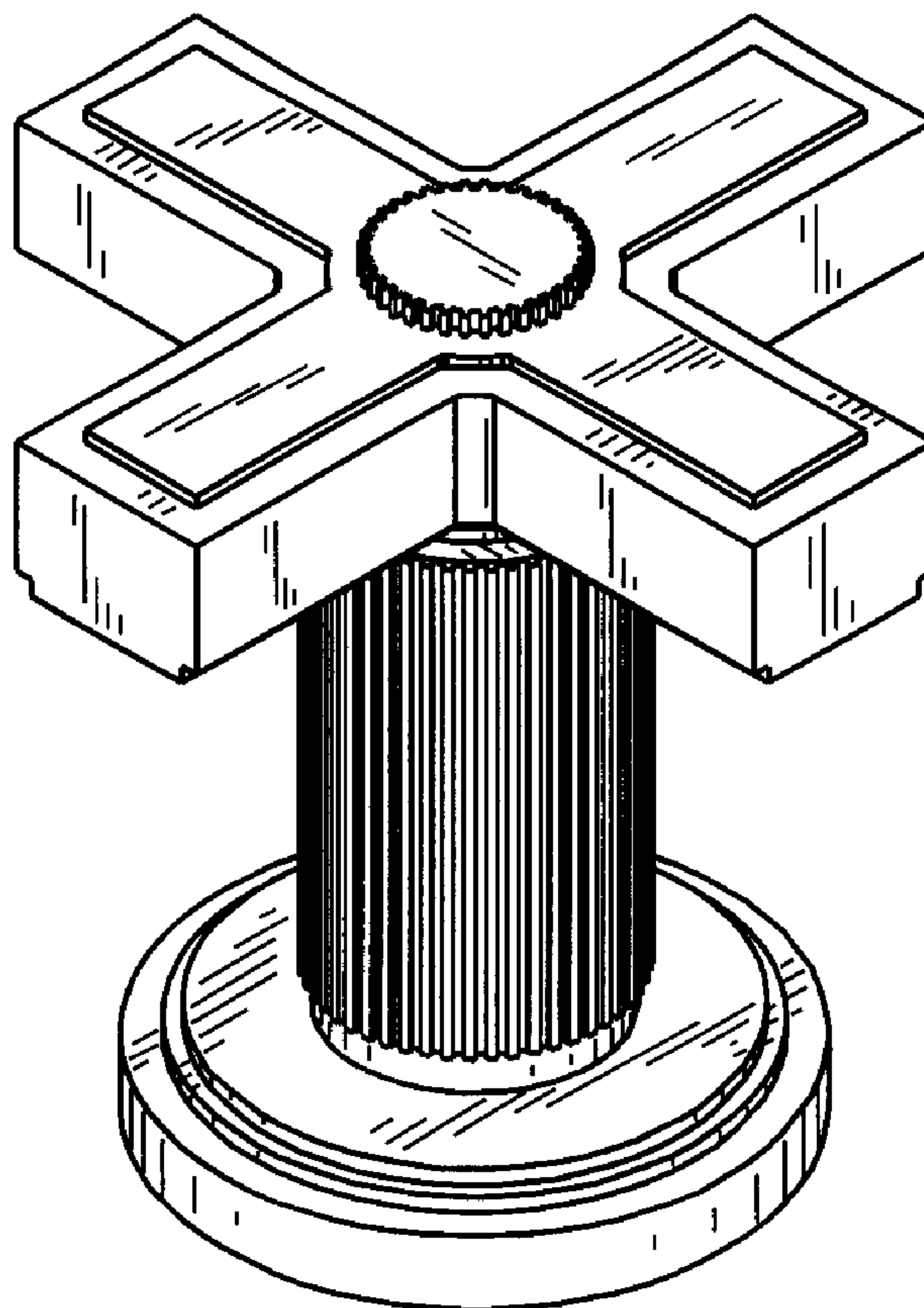
FIG. 2 is a front elevational view thereof, the rear elevational view, left side elevational view and right side elevational view thereof being identical to the front view shown;

FIG. 3 is a top view thereof; and,

FIG. 4 is a bottom view thereof.

The broken line representation of bottom mounting structure in the FIG. 4 are for the purpose of illustration only, and form no part of the claimed design.

**1 Claim, 2 Drawing Sheets**



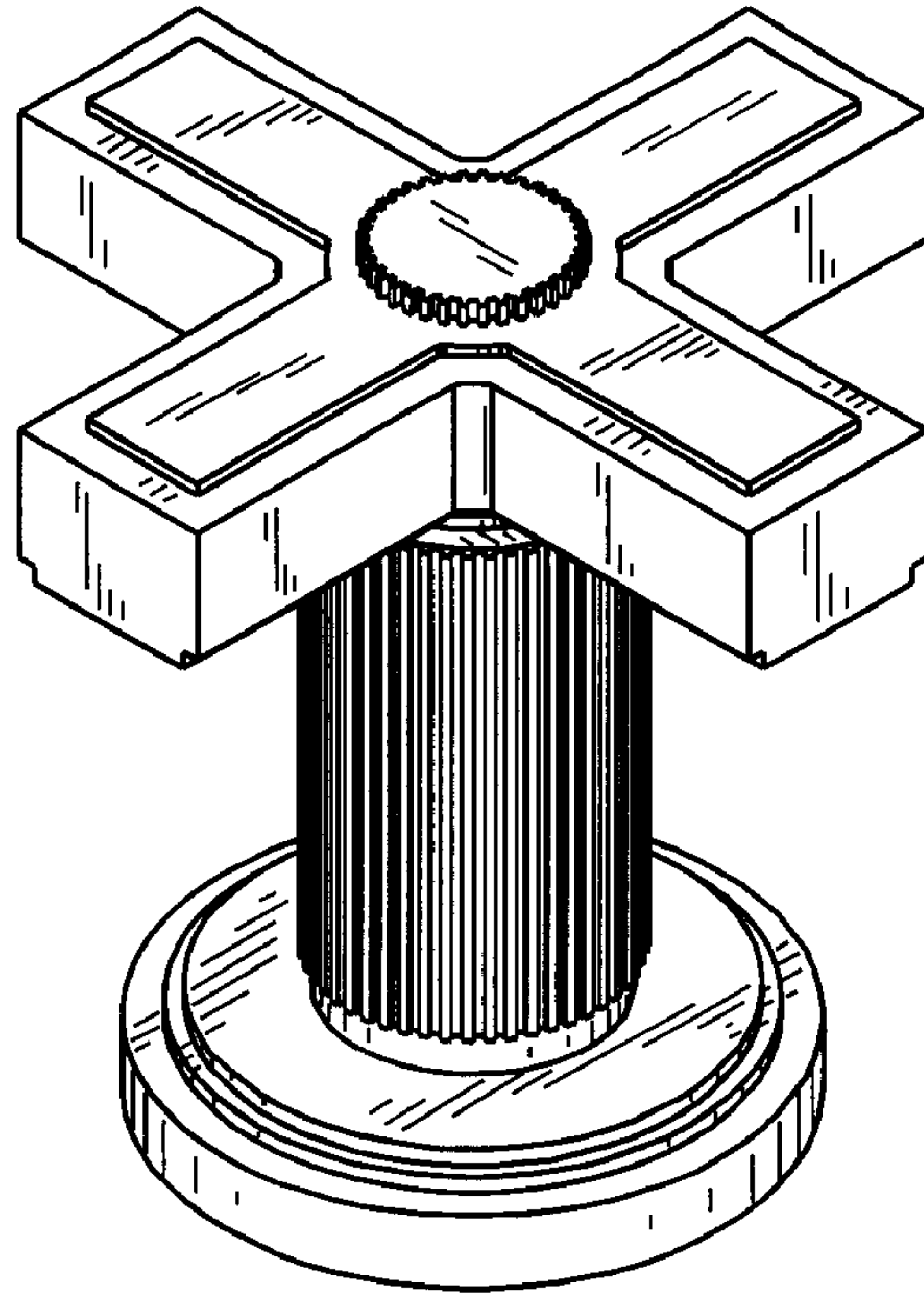


FIG. 1

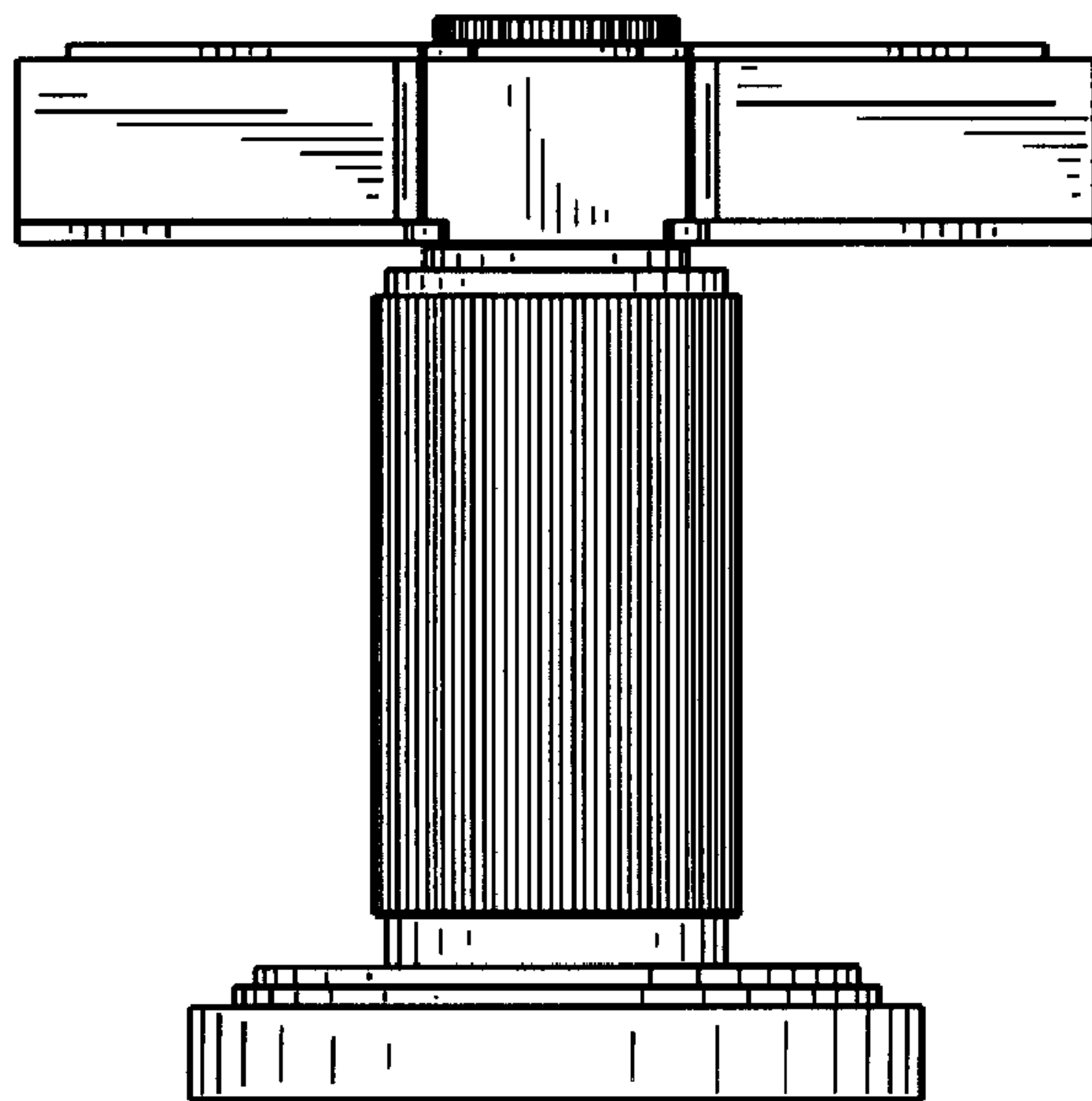


FIG. 2

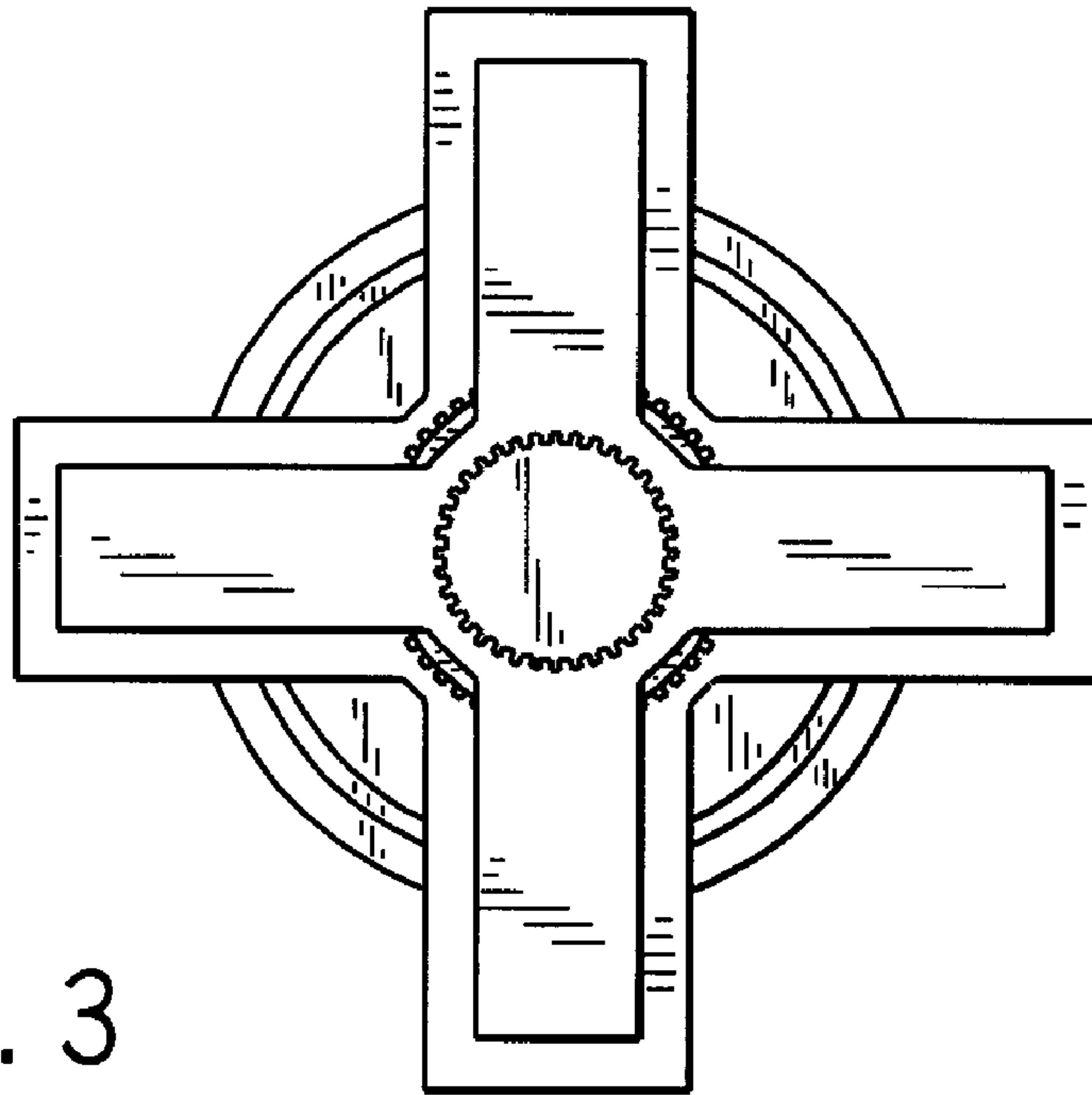


FIG. 3

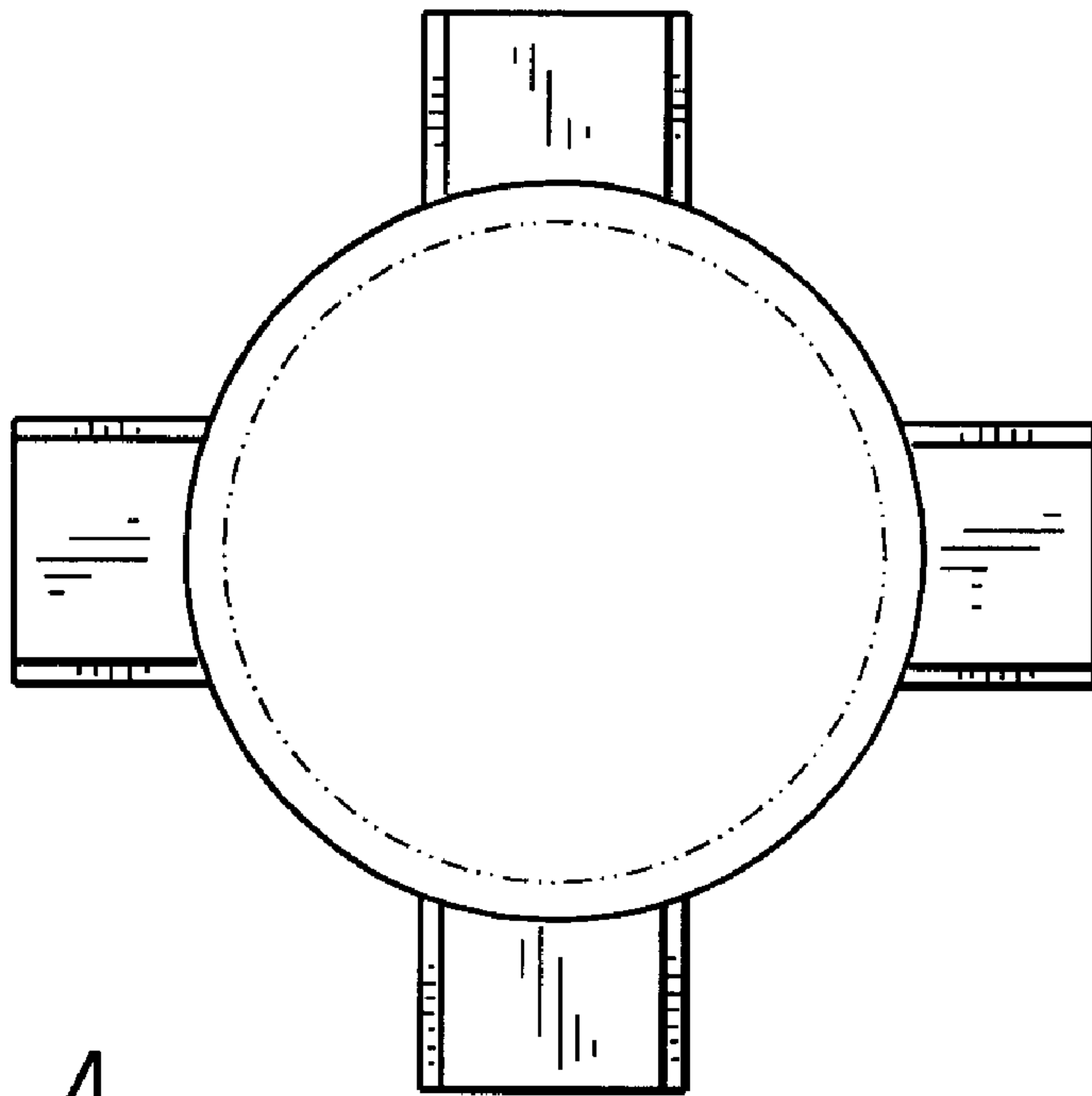


FIG. 4