



US00D534992S

(12) **United States Design Patent**
Lobermeier et al.

(10) **Patent No.:** **US D534,992 S**

(45) **Date of Patent:** **** Jan. 9, 2007**

(54) **FAUCET**

(75) Inventors: **Hans Lobermeier**, Menden (DE);
Matthias Götz, Munich (DE)

(73) Assignee: **Grohe AG**, Hemer (DE)

(**) Term: **14 Years**

(21) Appl. No.: **29/256,739**

(22) Filed: **Mar. 23, 2006**

(51) **LOC (8) Cl.** **23-01**

(52) **U.S. Cl.** **D23/243; D23/238; D23/255**

(58) **Field of Classification Search** **D23/238-257;**
4/675-678; 137/801, 615

See application file for complete search history.

(56) **References Cited**

U.S. PATENT DOCUMENTS

1,510,761	A	*	10/1924	Burman	137/615
1,838,290	A	*	12/1931	Steckel	137/599.01
D464,711	S	*	10/2002	Warshawsky	D23/243
D492,393	S	*	6/2004	Herring et al.	D23/243

D496,715 S * 9/2004 Warshawsky D23/238

* cited by examiner

Primary Examiner—Louis S. Zarfes

Assistant Examiner—Gregory Andoll

(74) *Attorney, Agent, or Firm*—Andrew Wilford

(57) **CLAIM**

The ornamental design for a faucet, as shown.

DESCRIPTION

FIG. 1 is a perspective side view of the faucet according to the invention;

FIG. 2 is an end view of the faucet from the rear right as seen in FIG. 1;

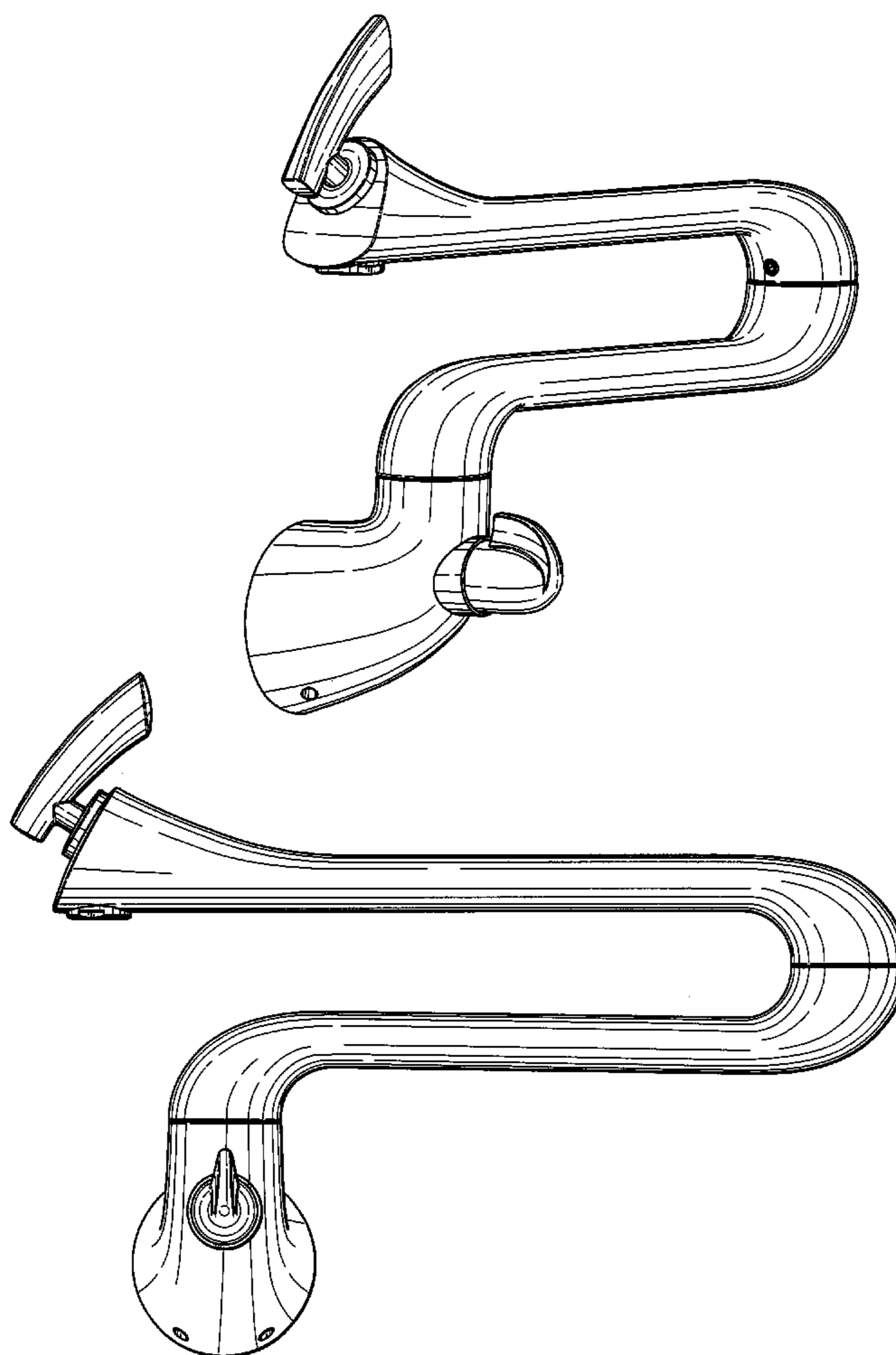
FIG. 3 is an end view of the faucet from the front left as seen in FIG. 1;

FIG. 4 is a side view of the faucet from the front right as seen in FIG. 1;

FIG. 5 is a bottom view of the faucet; and,

FIGS. 6 and 7 are side views as seen from the top and bottom in the plane of the view of FIG. 4.

1 Claim, 5 Drawing Sheets



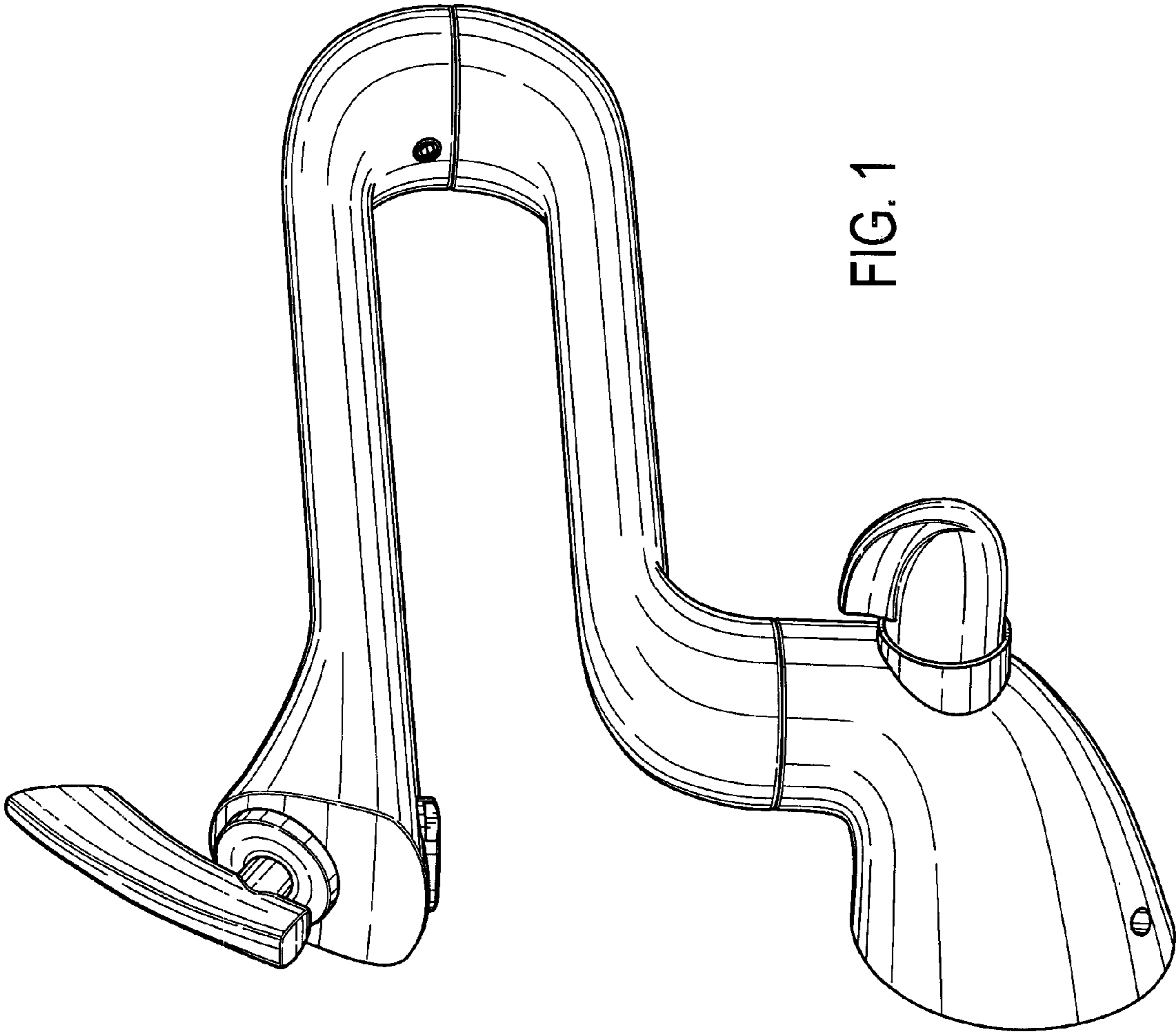


FIG. 1

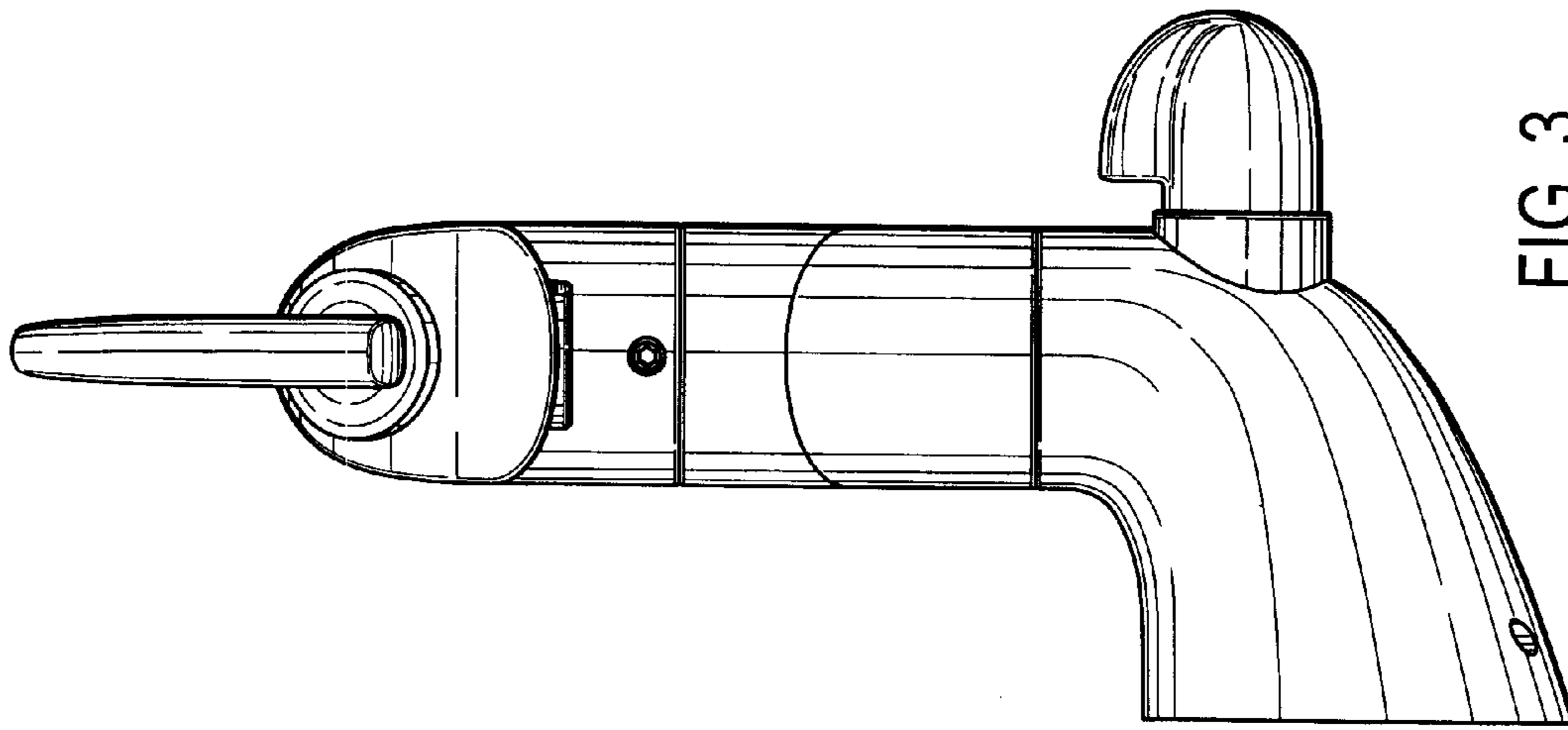


FIG. 3

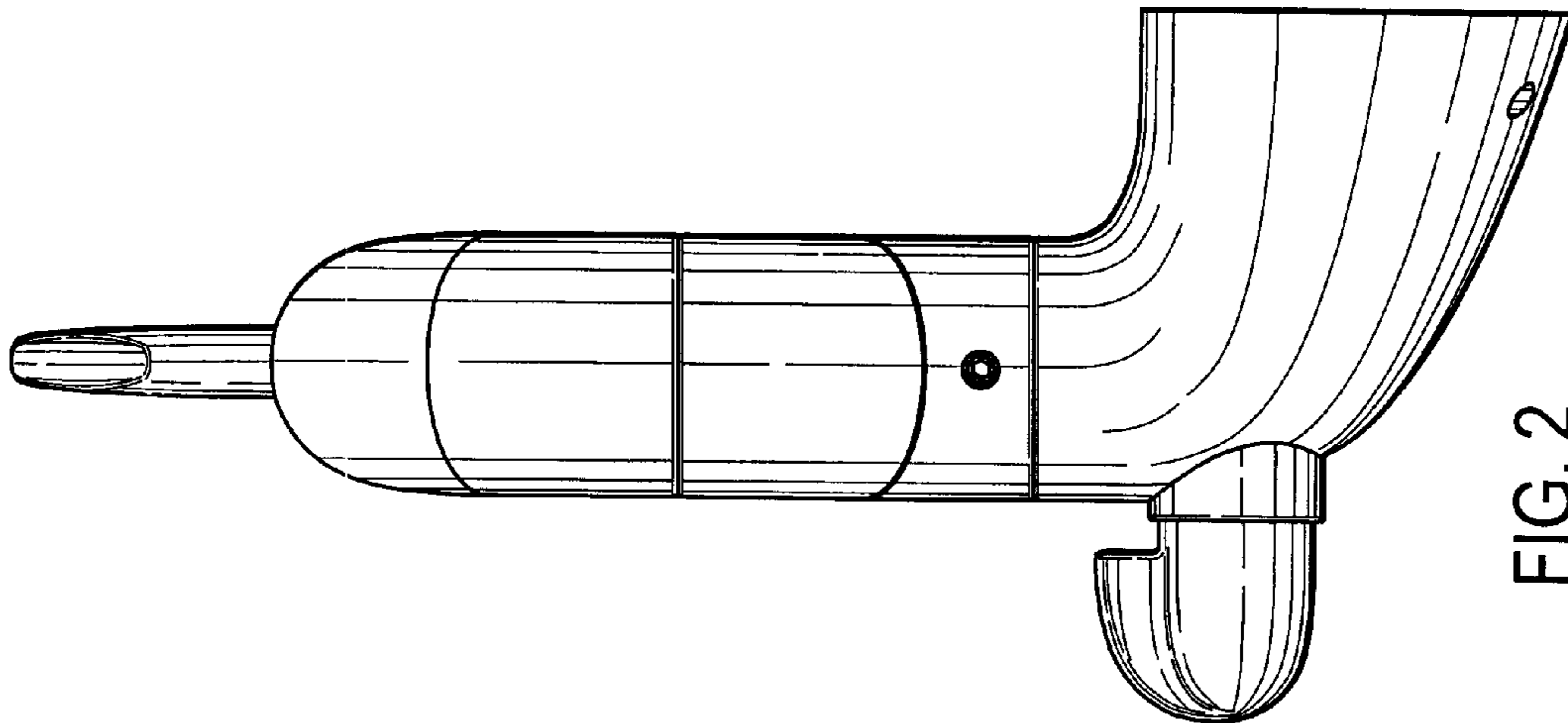


FIG. 2

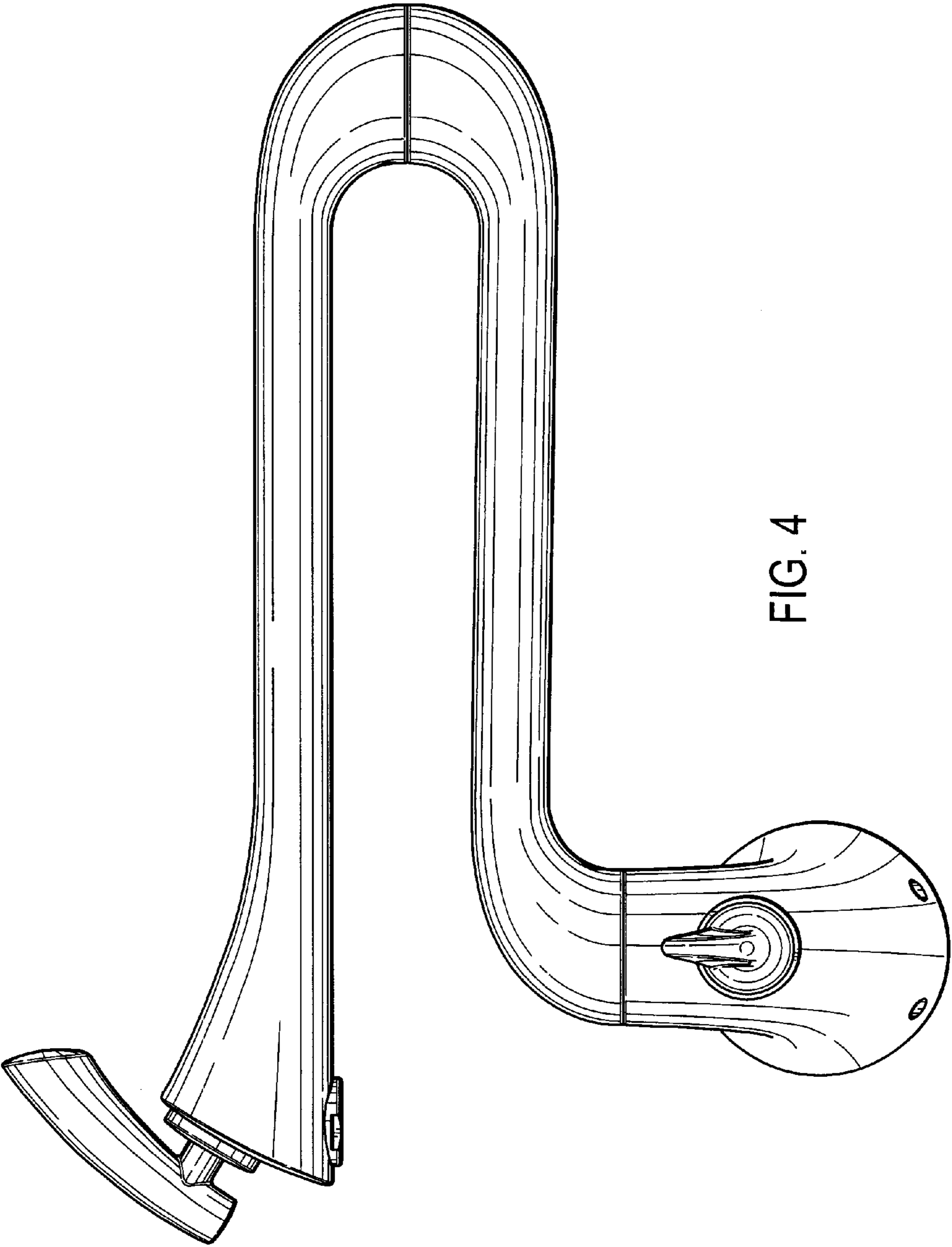


FIG. 4

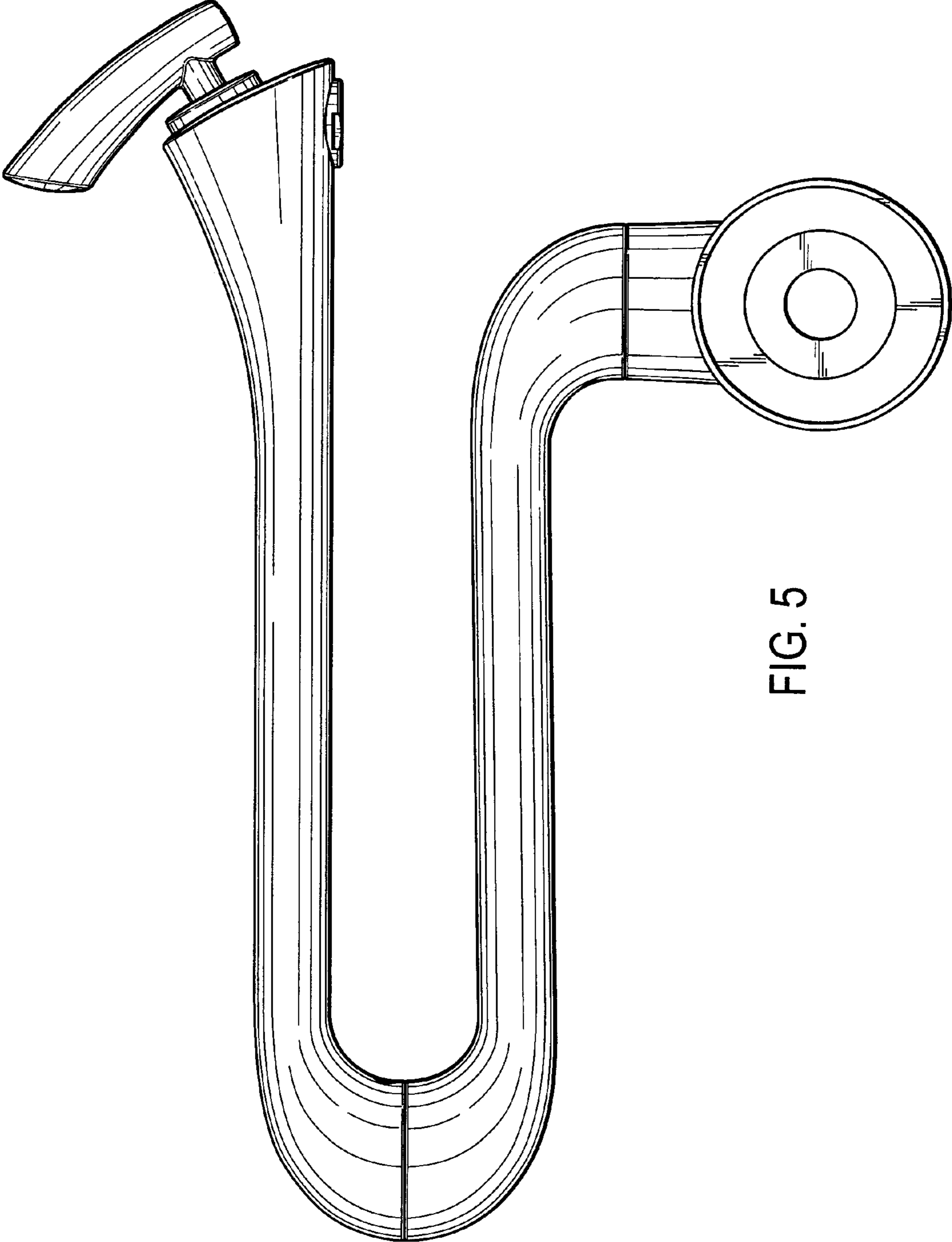


FIG. 5

FIG. 6

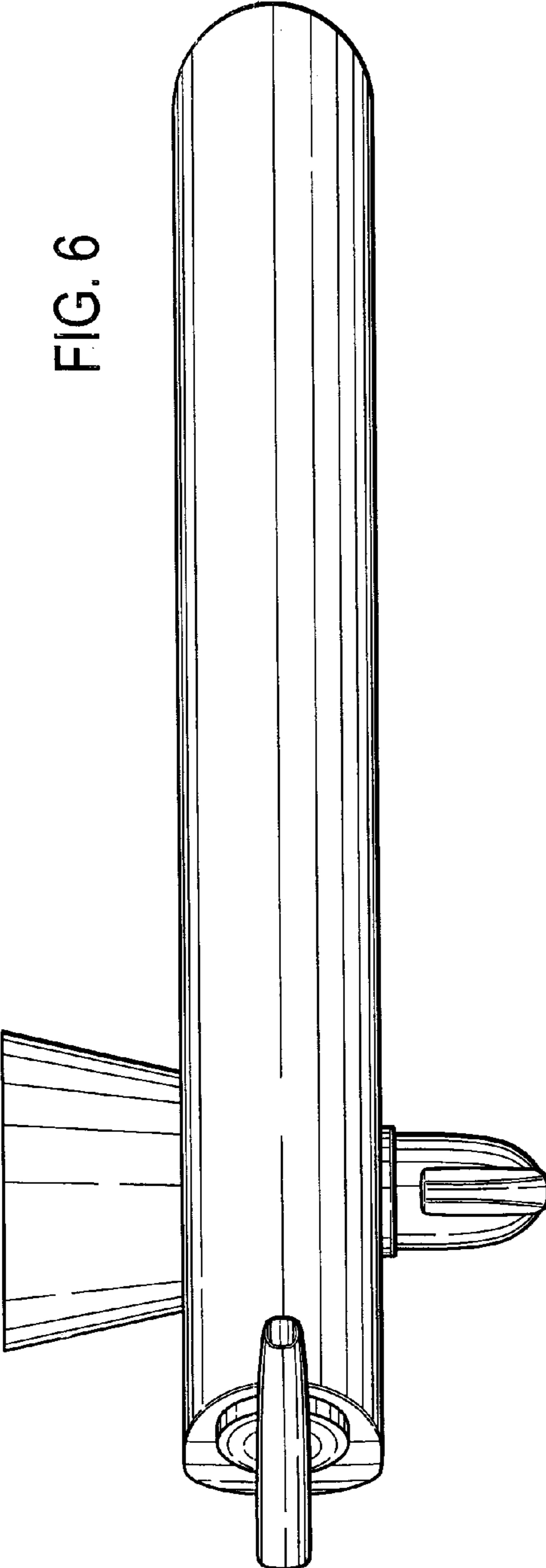


FIG. 7

