



US00D534991S

(12) **United States Design Patent**
Sieger

(10) **Patent No.:** **US D534,991 S**
(45) **Date of Patent:** **** Jan. 9, 2007**

(54) **DECK-MOUNT FAUCET**

D510,612 S * 10/2005 Lammel et al. D23/241

(75) Inventor: **Michael Sieger**, Sassenberg (DE)

* cited by examiner

(73) Assignee: **Aloys F. Dornbracht GmbH & Co. KG**, Iserlohn (DE)

Primary Examiner—Louis S. Zarfes

Assistant Examiner—Gregory Andoll

(**) Term: **14 Years**

(74) *Attorney, Agent, or Firm*—Andrew Wilford

(21) Appl. No.: **29/258,146**

(57) **CLAIM**

(22) Filed: **Apr. 17, 2006**

The ornamental design for a deck-mount faucet, as shown.

(30) **Foreign Application Priority Data**

DESCRIPTION

Oct. 18, 2005 (EM) 000418918-0003

FIG. 1 is an elevational view from the left of the faucet according to the invention;

(51) **LOC (8) Cl.** **23-01**

FIG. 2 is an elevational view from the front;

(52) **U.S. Cl.** **D23/238**

FIG. 3 is an elevational view from the right;

(58) **Field of Classification Search** D23/238–257;
4/675–678; 137/801

FIG. 4 is an elevational view from the rear;

See application file for complete search history.

FIG. 5 is a top view; and,

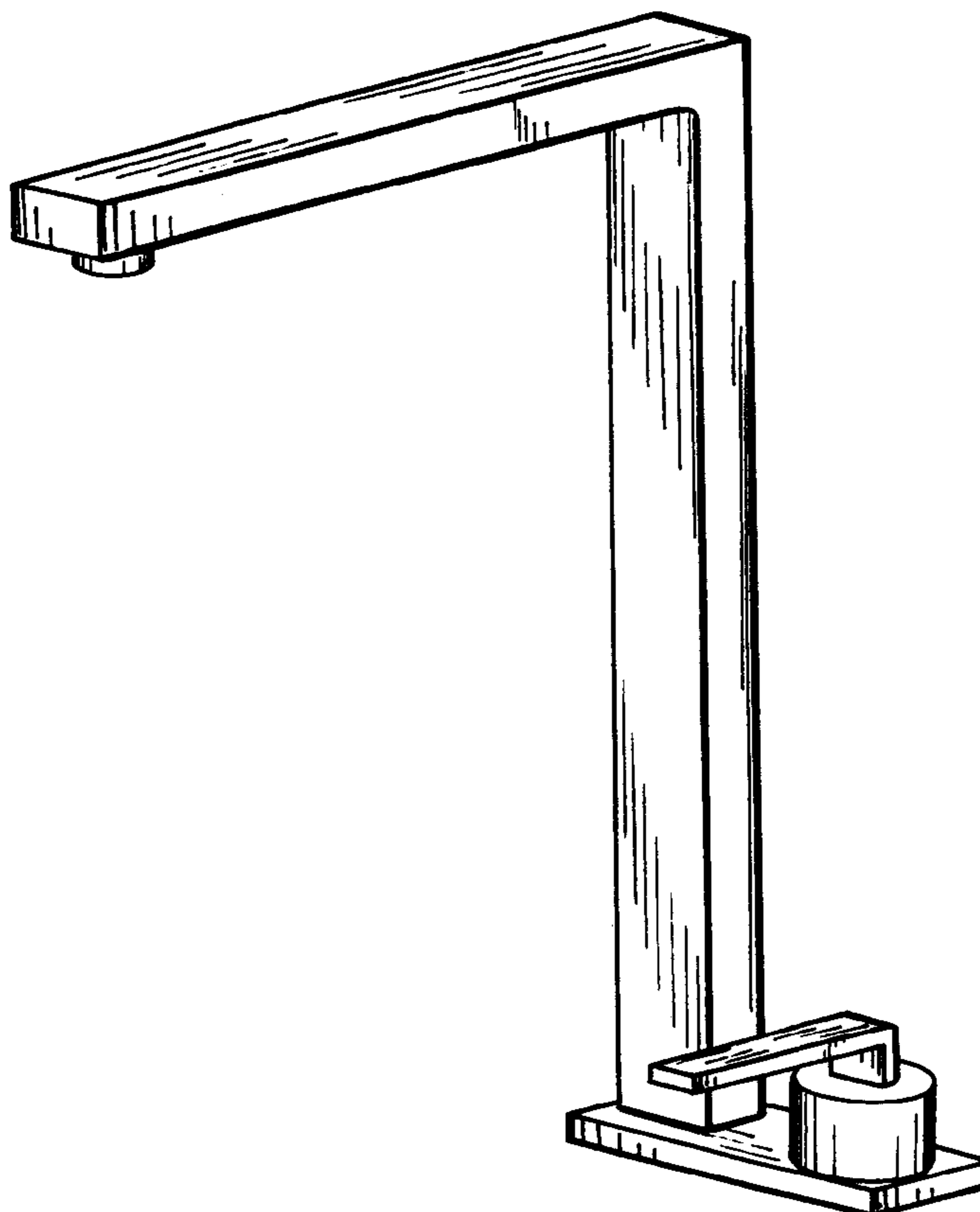
(56) **References Cited**

FIG. 6 is a perspective view.

U.S. PATENT DOCUMENTS

D509,283 S * 9/2005 Sieger D23/238

1 Claim, 3 Drawing Sheets



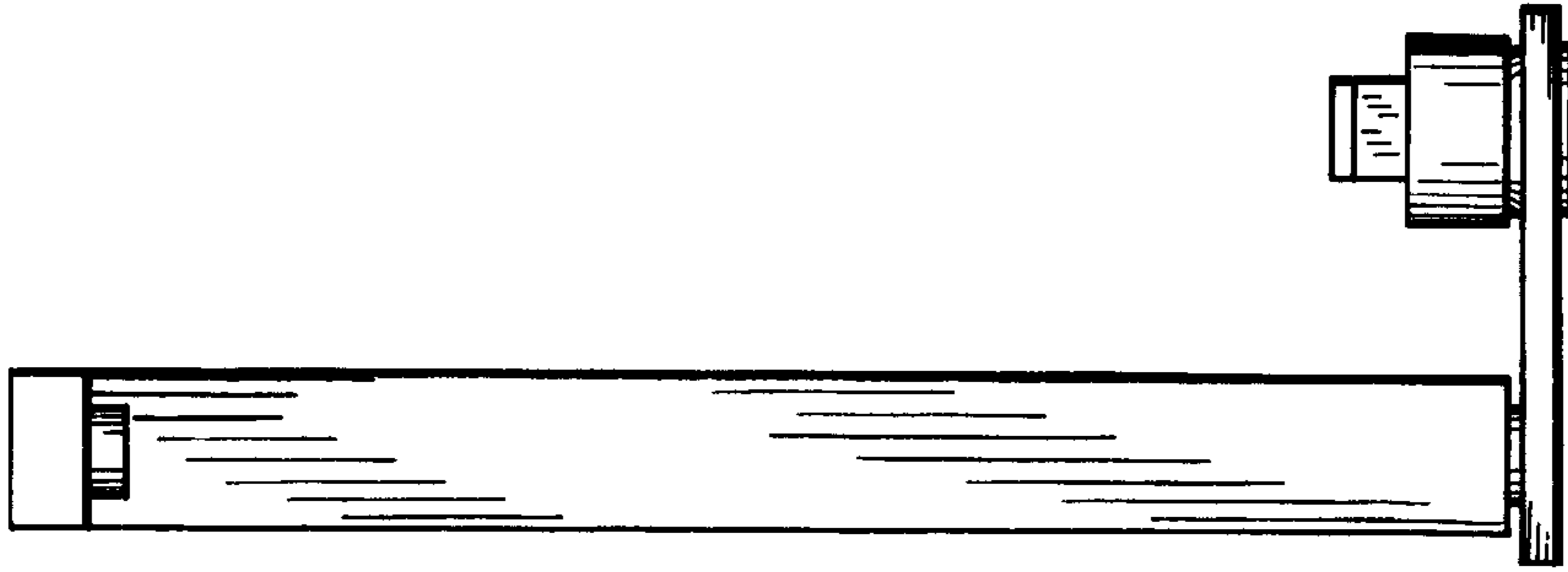


FIG. 1

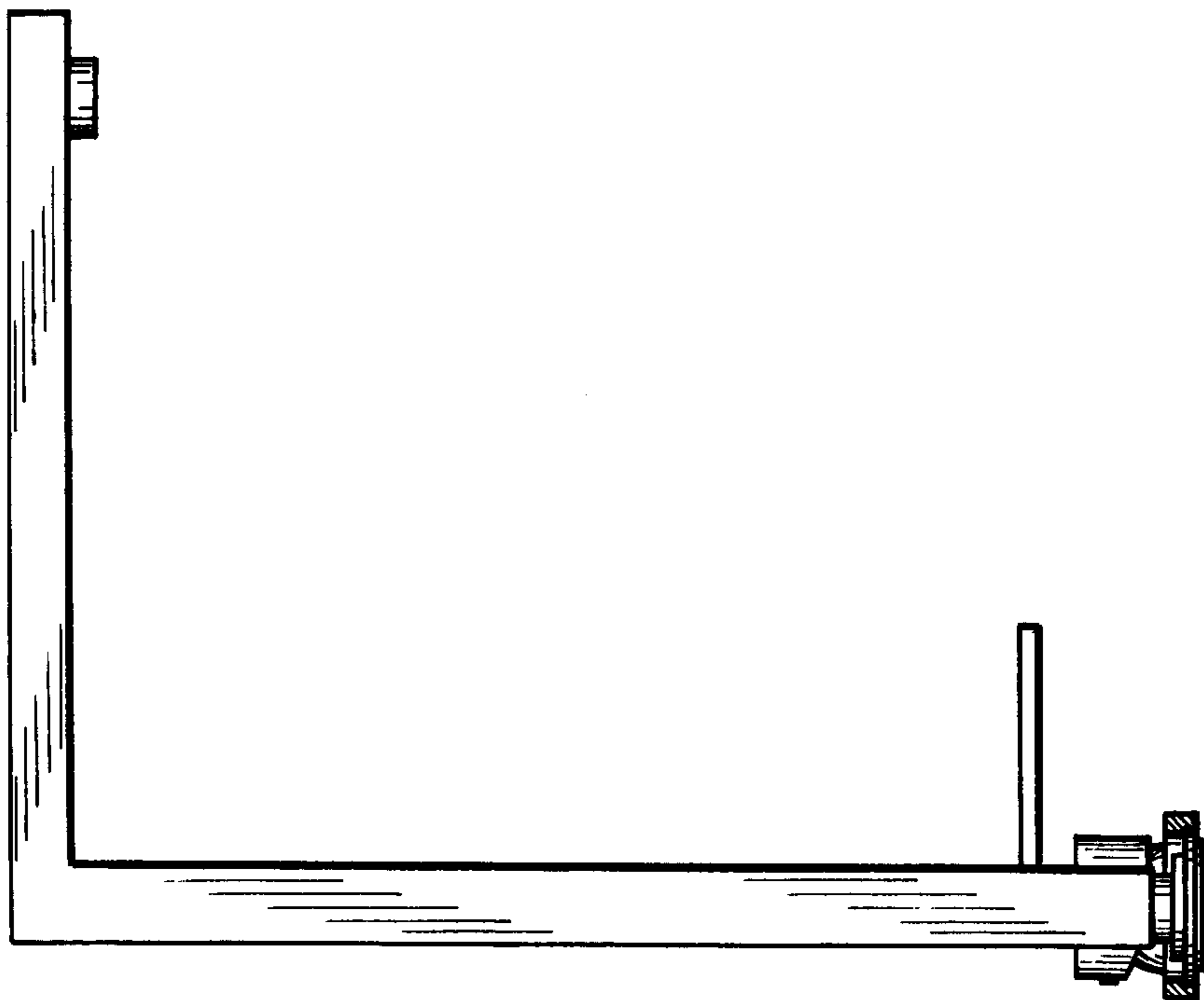


FIG. 2

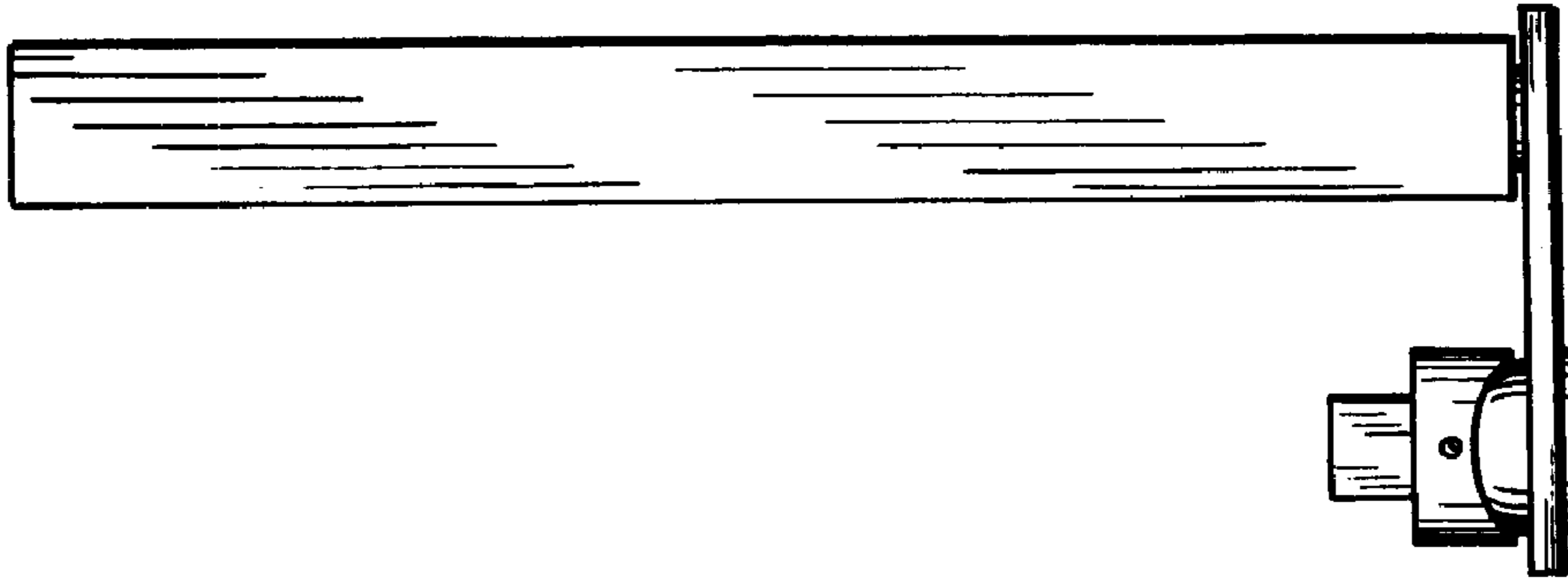


FIG. 3

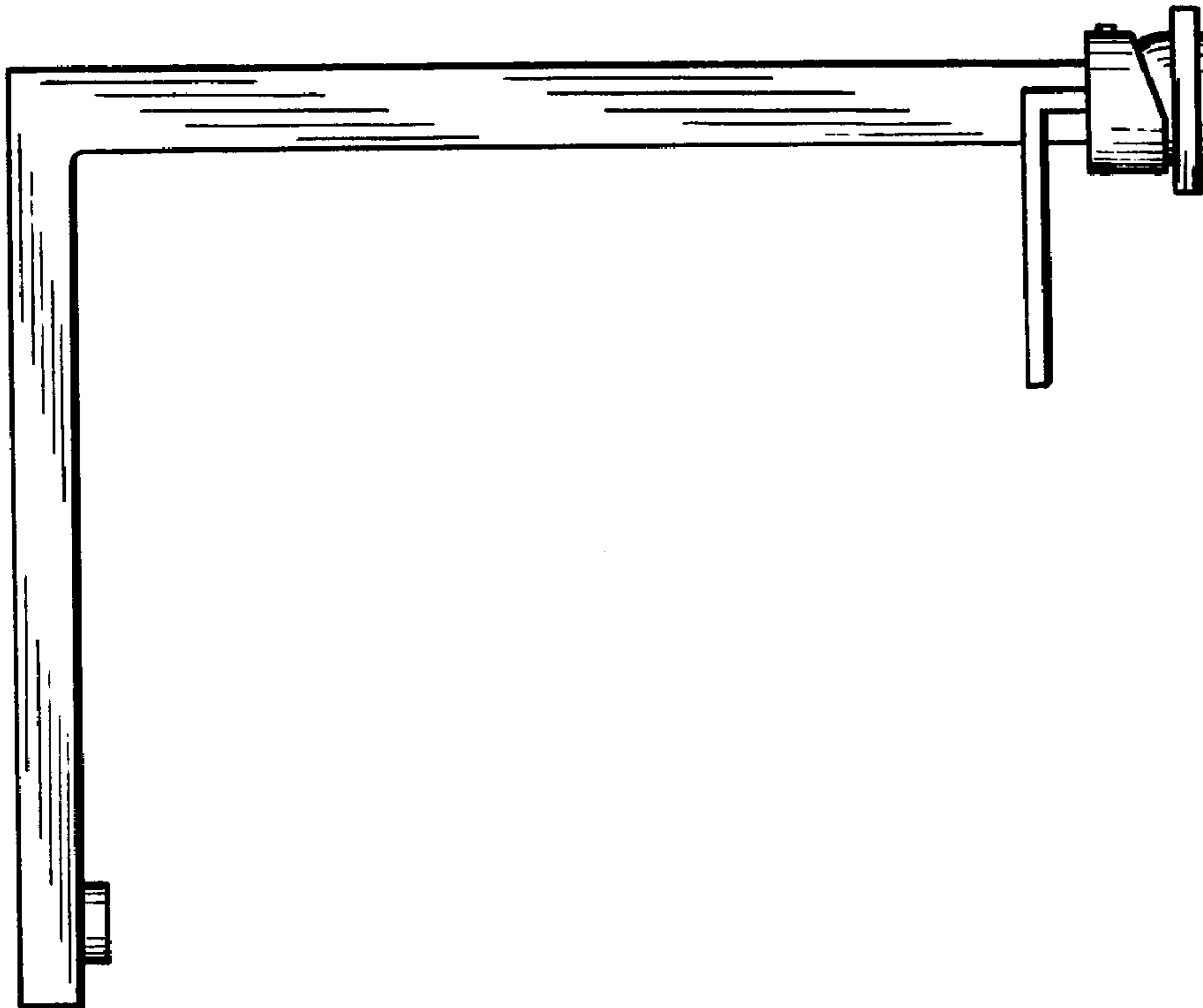


FIG. 4

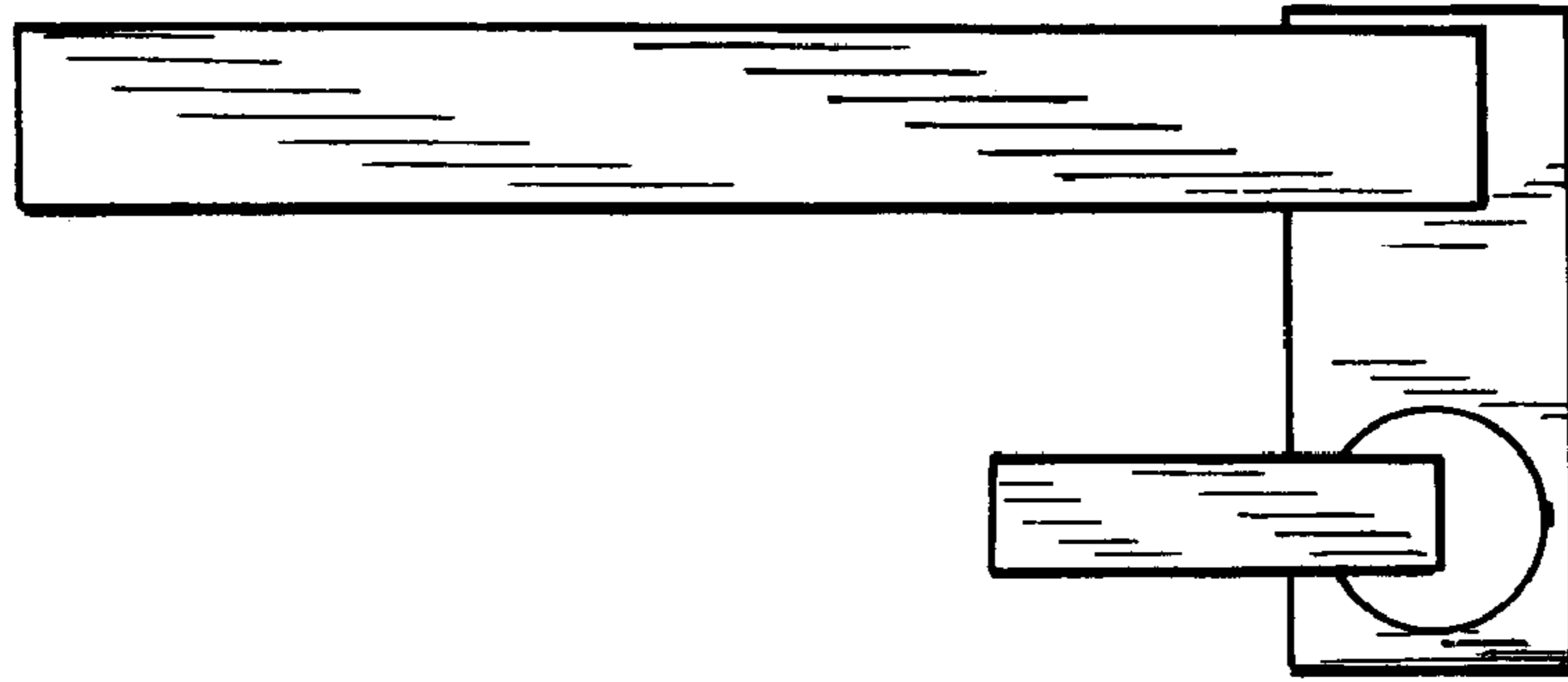


FIG. 5

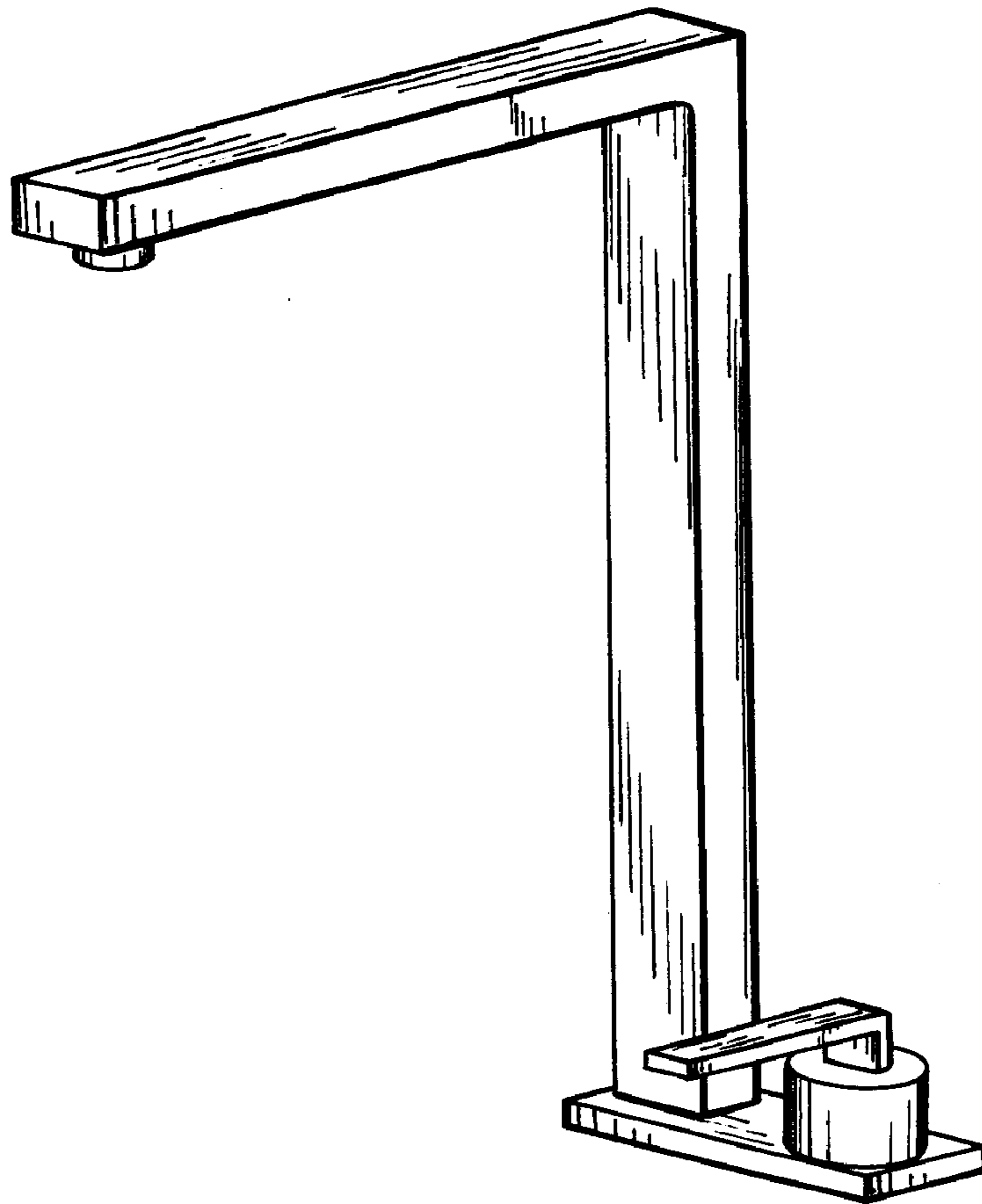


FIG. 6